



US00D438193S

(12) **United States Design Patent**
Hakoda

(10) **Patent No.:** **US D438,193 S**

(45) **Date of Patent:** **** Feb. 27, 2001**

(54) **DIAL PORTION OF DISC PLAYER**

(75) Inventor: **Katsuhisa Hakoda**, Tokyo (JP)

(73) Assignee: **Sony Corporation**, Tokyo (JP)

(**) Term: **14 Years**

(21) Appl. No.: **29/119,441**

(22) Filed: **Feb. 28, 2000**

(51) **LOC (7) Cl.** **14-99**

(52) **U.S. Cl.** **D14/217; D14/156**

(58) **Field of Search** **D14/125, 135, D14/136, 156, 157, 162, 164, 168, 193-198, 188, 217, 265, 299; 116/241, 245; 334/7, 88; 455/345-347**

(56) **References Cited**

U.S. PATENT DOCUMENTS

- D. 224,407 * 7/1972 Katz D14/217
- D. 411,996 * 7/1999 Yamazaki D14/156 X
- D. 414,776 * 10/1999 Dhintani et al. D14/217
- D. 415,491 * 10/1999 Yano et al. D14/168
- 2,052,265 * 8/1936 Wiegand 116/245

OTHER PUBLICATIONS

“Car Audio Full Line Up Catalog” (FT-600) Sanyo; Feb. 1999; 3 sheets.

* cited by examiner

Primary Examiner—Nanda Bondade

(74) *Attorney, Agent, or Firm*—Rader, Fishman & Grauer

(57) **CLAIM**

The ornamental design for a dial portion of disc player, as shown and described.

DESCRIPTION

FIG. 1 is a perspective view of the dial portion of disc player showing my design;

FIG. 2 is a top plan view thereof;

FIG. 3 is a bottom plan view thereof;

FIG. 4 is a left side elevational view thereof;

FIG. 5 is a right side elevational view thereof; and

FIG. 6 is a front elevational view thereof;

FIG. 7 is a perspective view thereof, shown in an alternate environment;

FIG. 8 is a top plan view thereof;

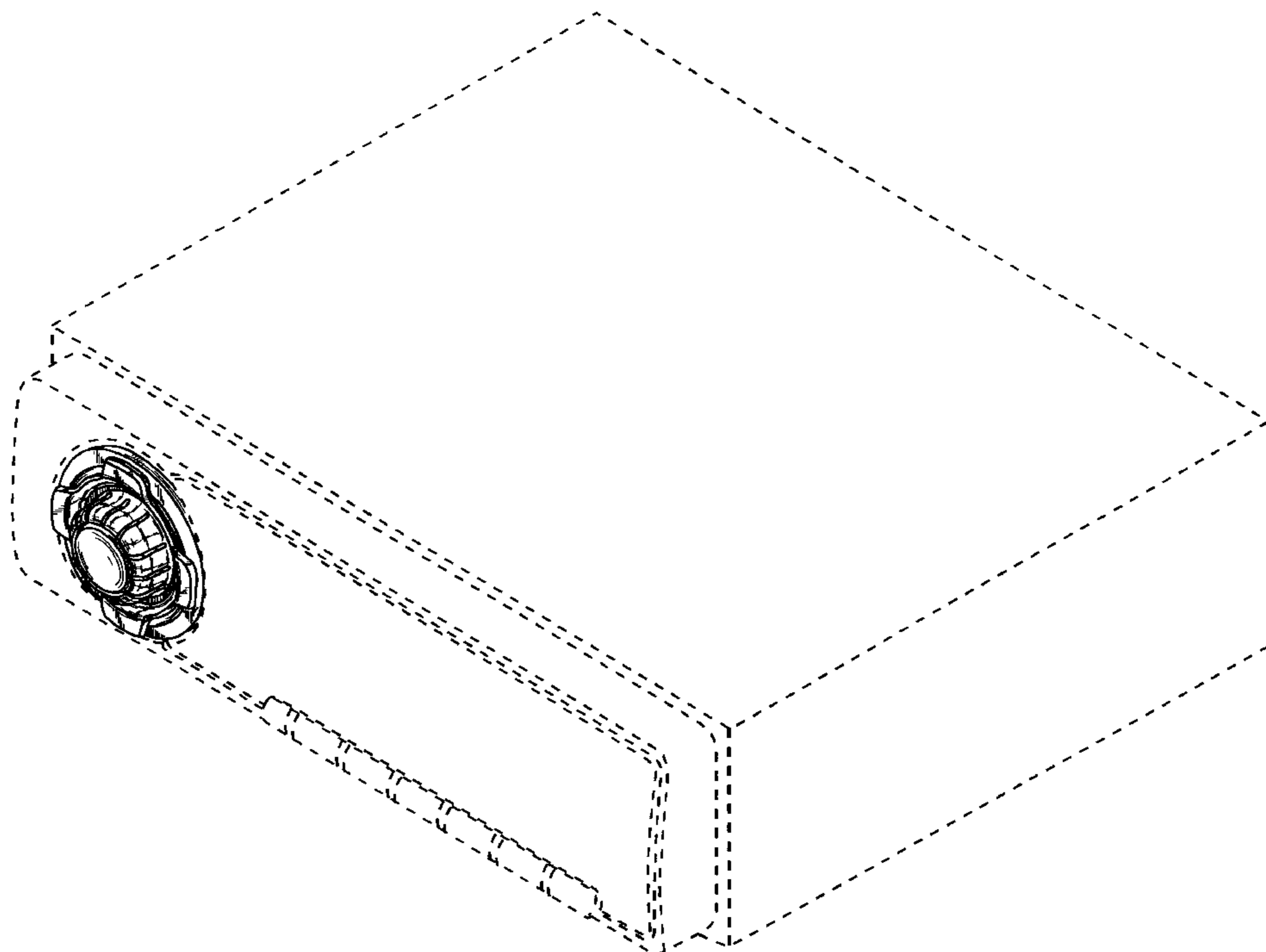
FIG. 9 is a bottom plan view thereof;

FIG. 10 is a left side elevational view thereof;

FIG. 11 is a right side elevational view thereof; and,

FIG. 12 is a front elevational view thereof.

1 Claim, 10 Drawing Sheets



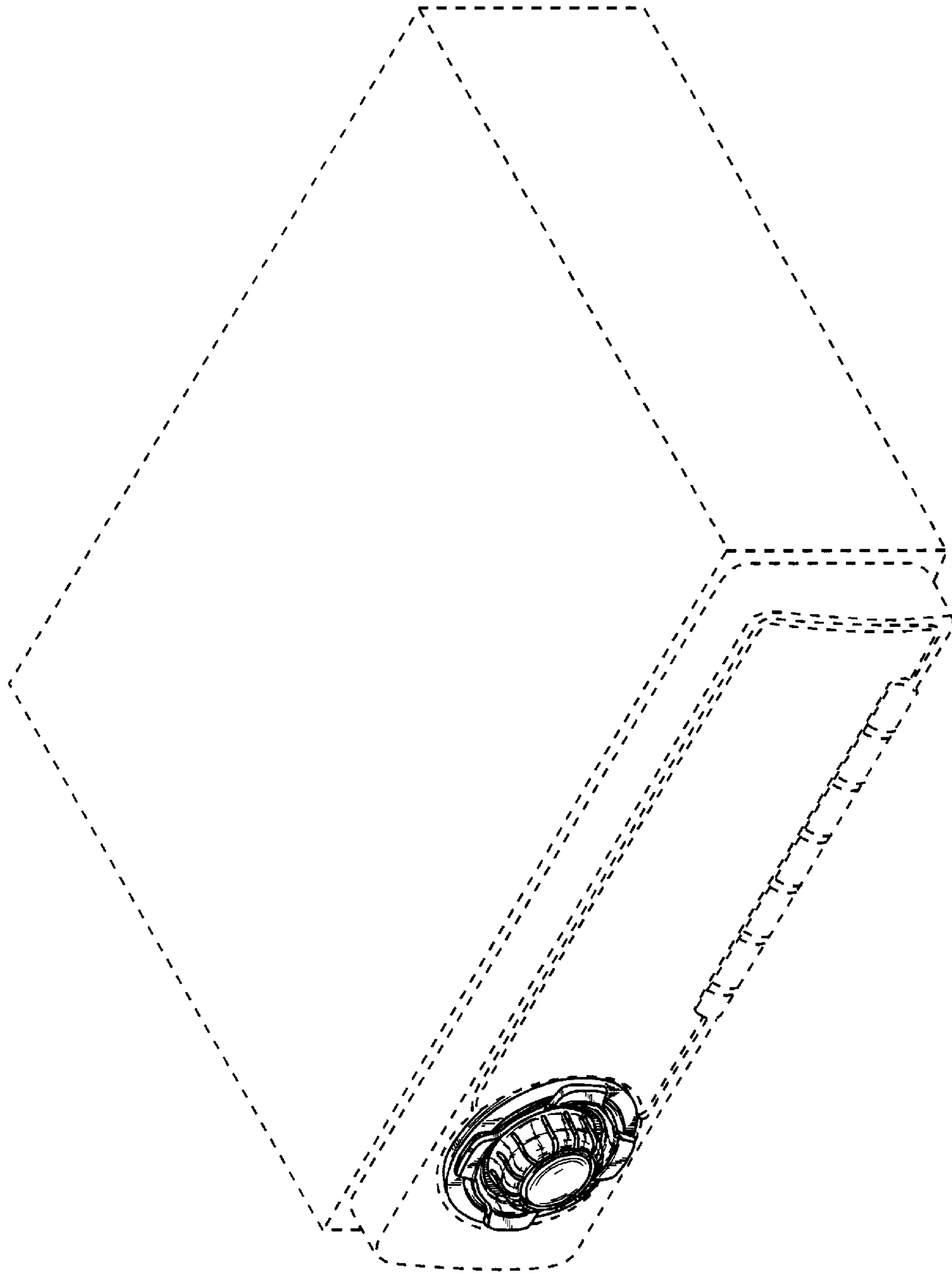


Fig. 1

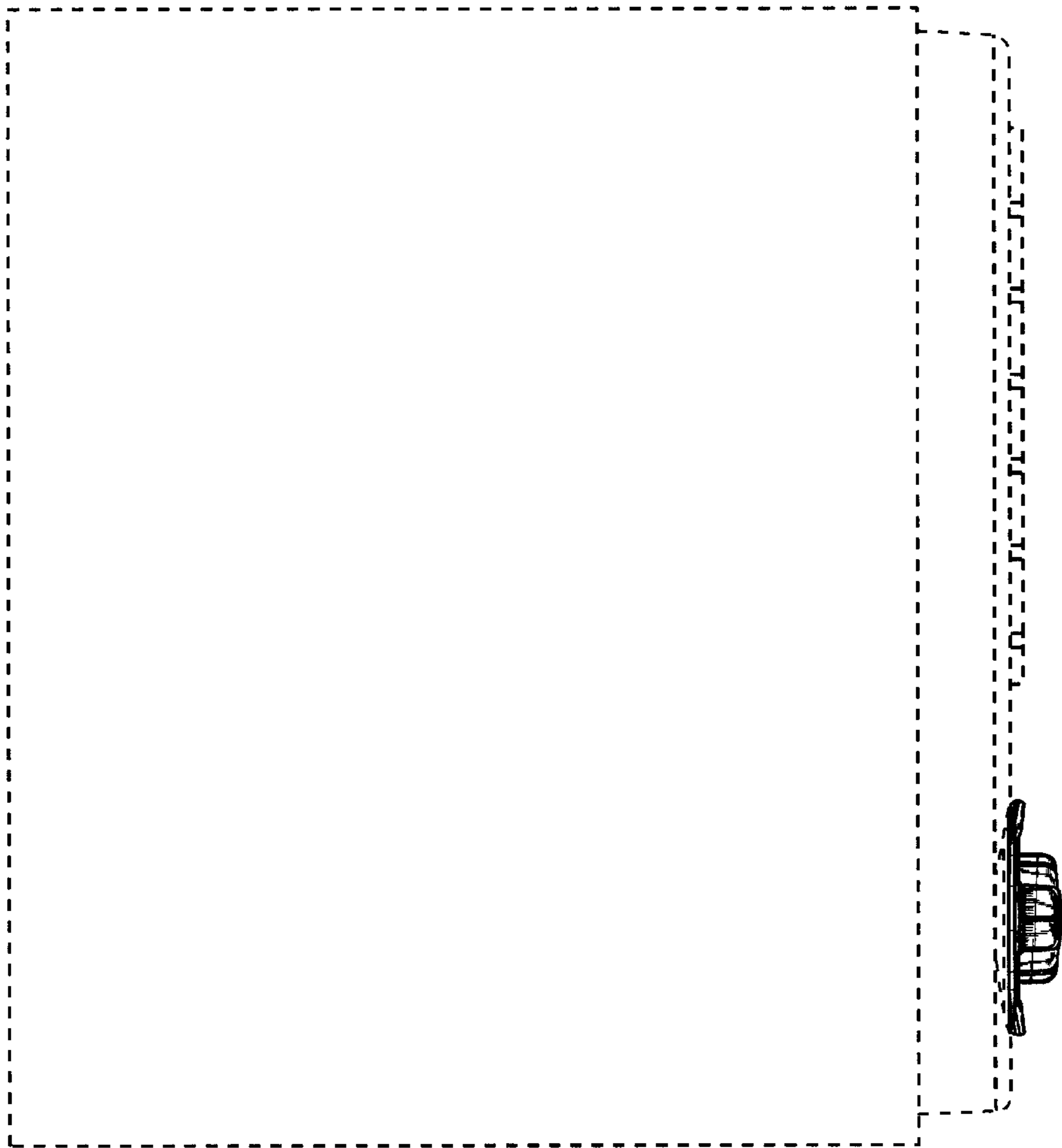


Fig. 2

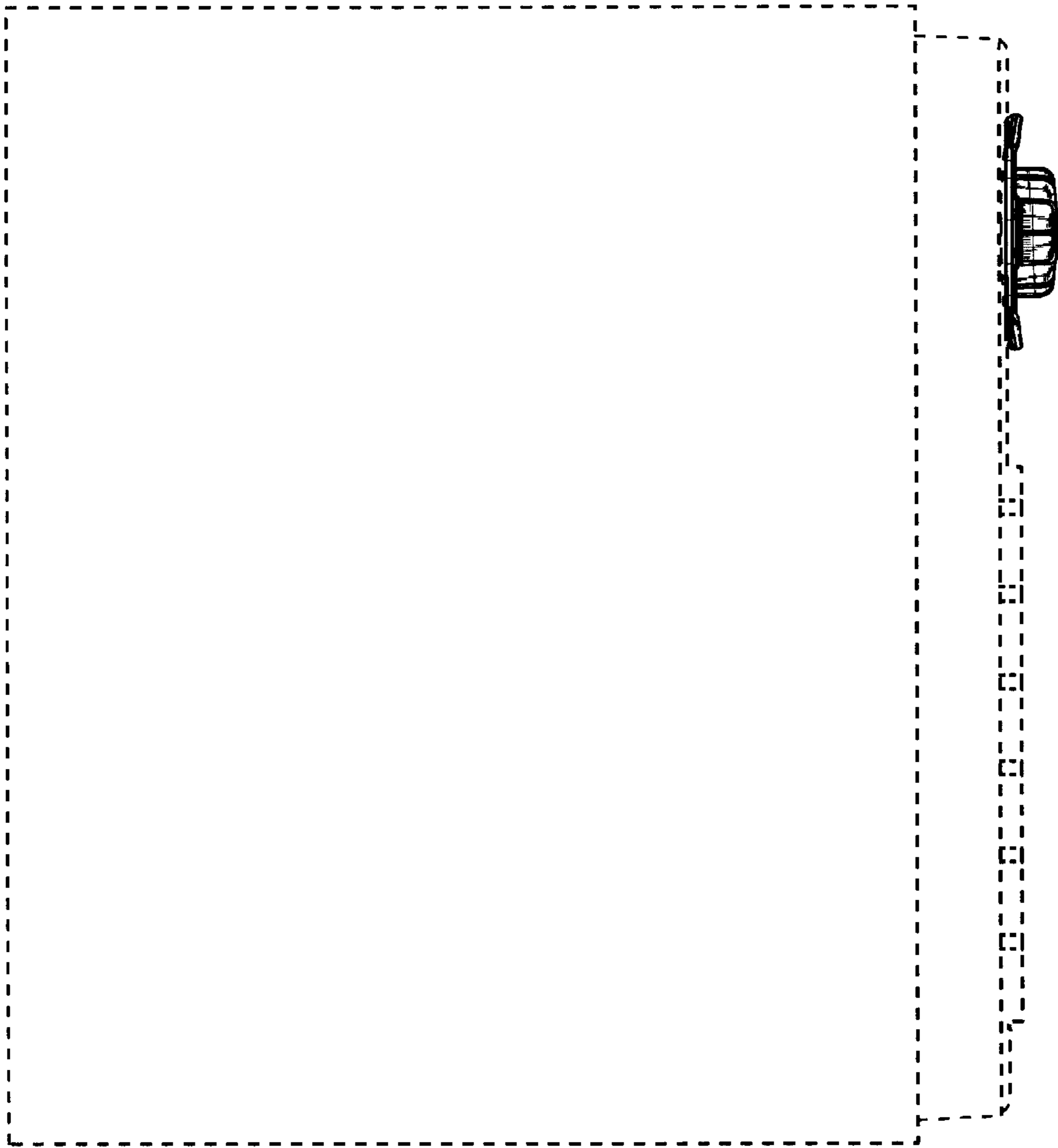


Fig. 3

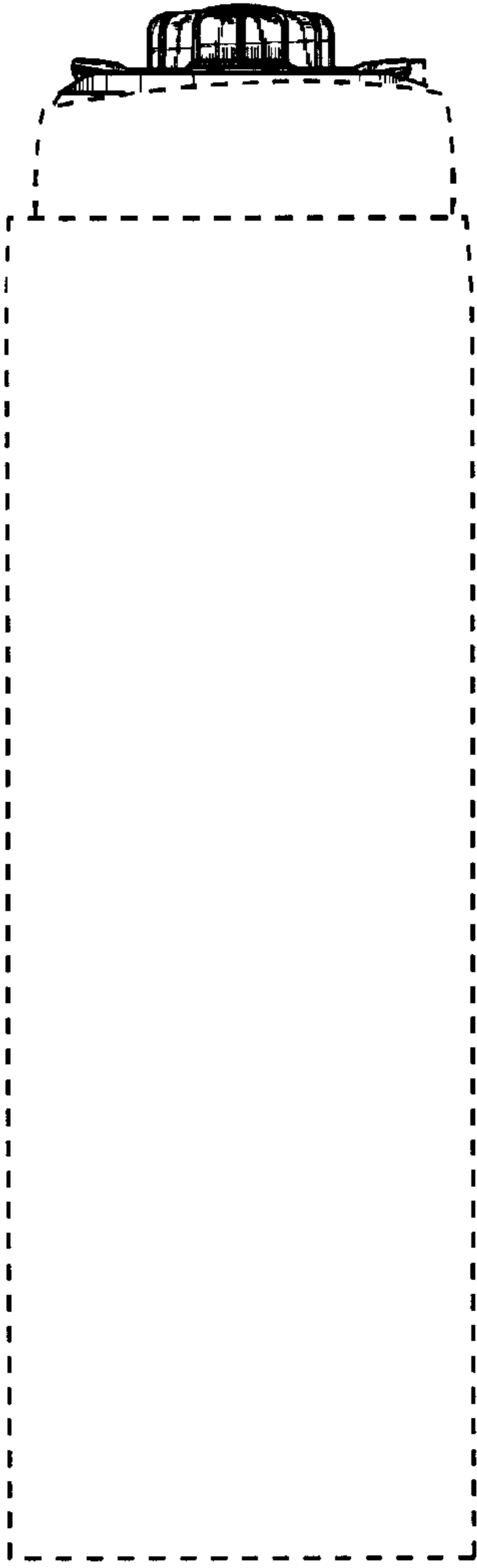


Fig. 4

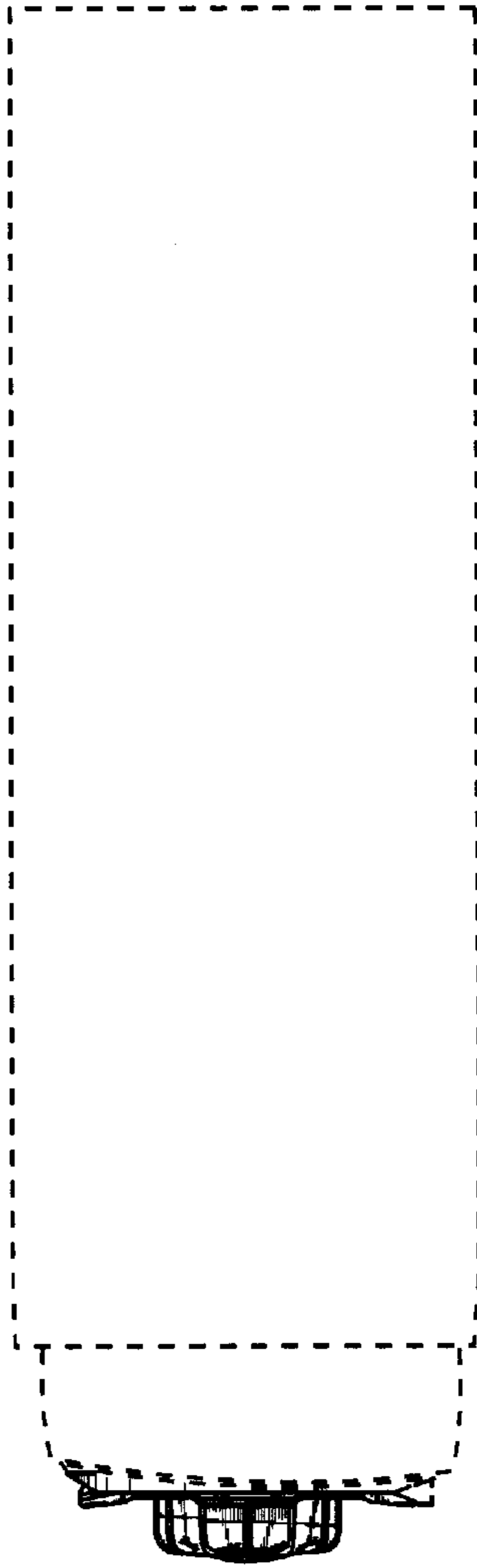


Fig. 5

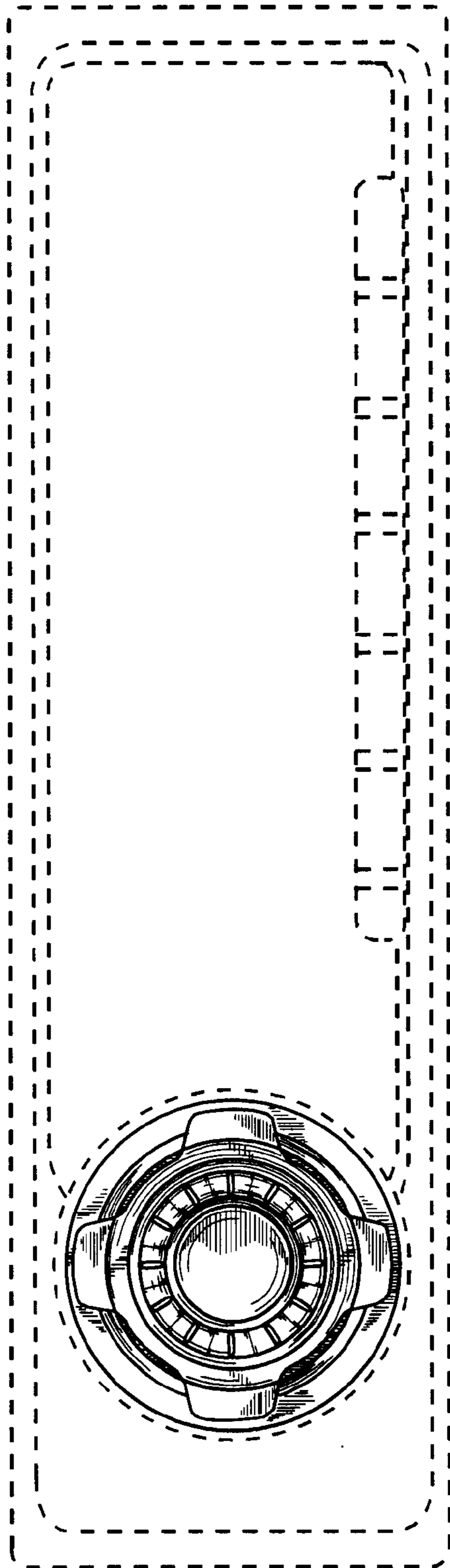


Fig. 6

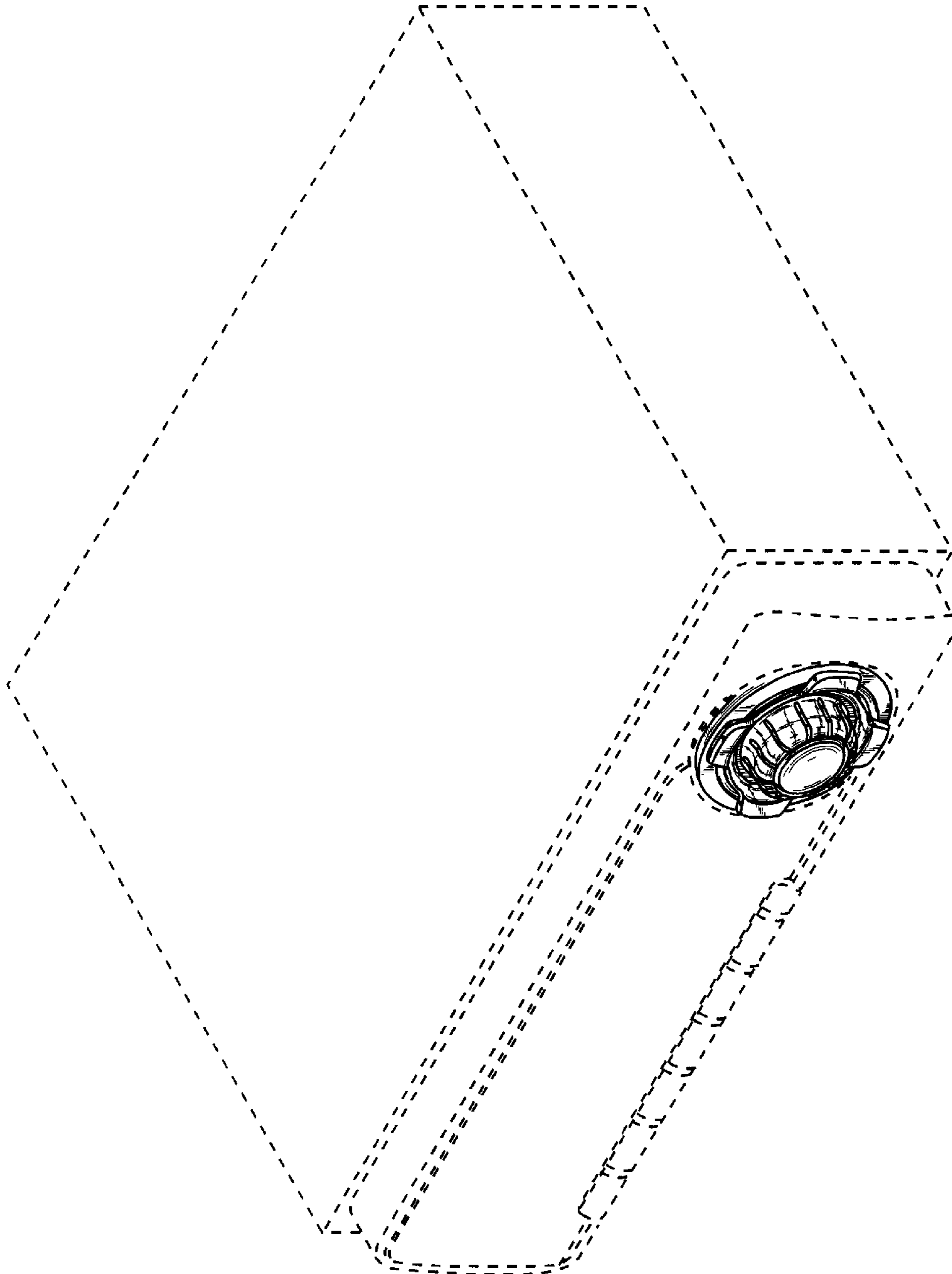


Fig. 7

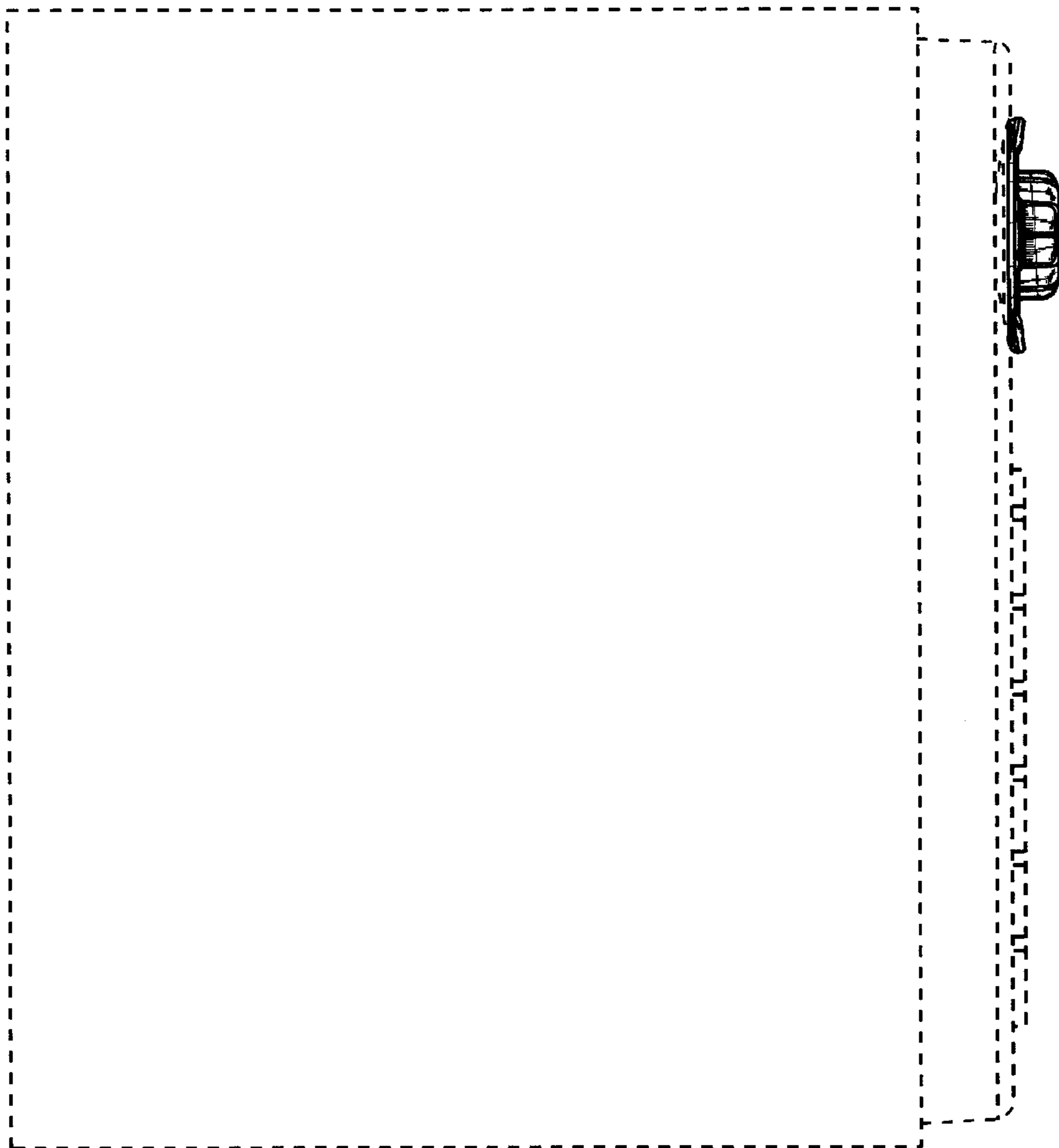


Fig. 8

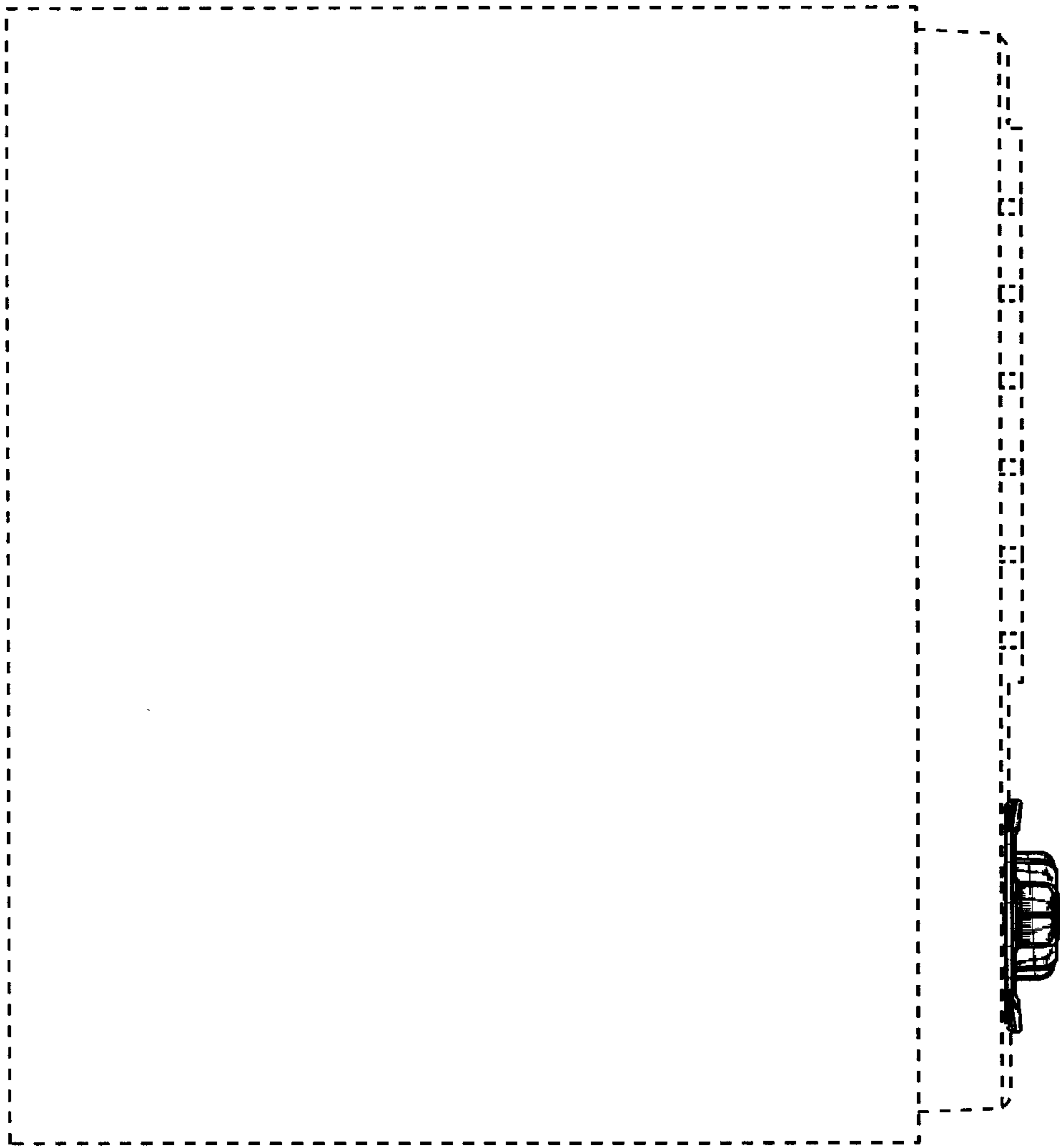


Fig. 9

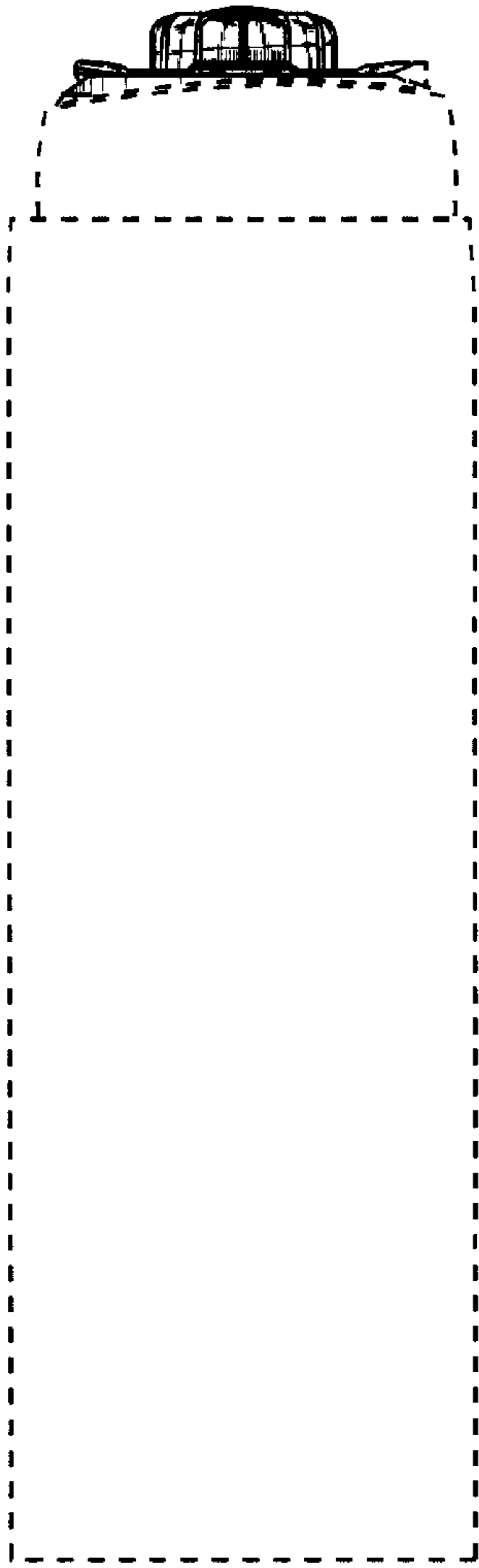


Fig. 10

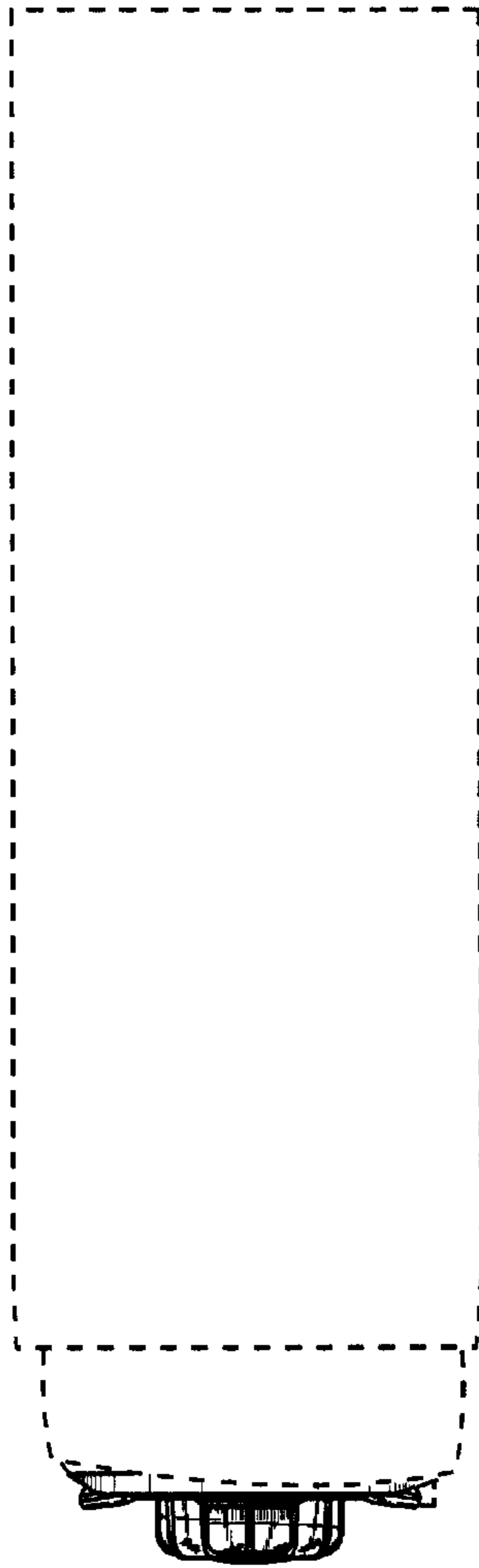


Fig. 11

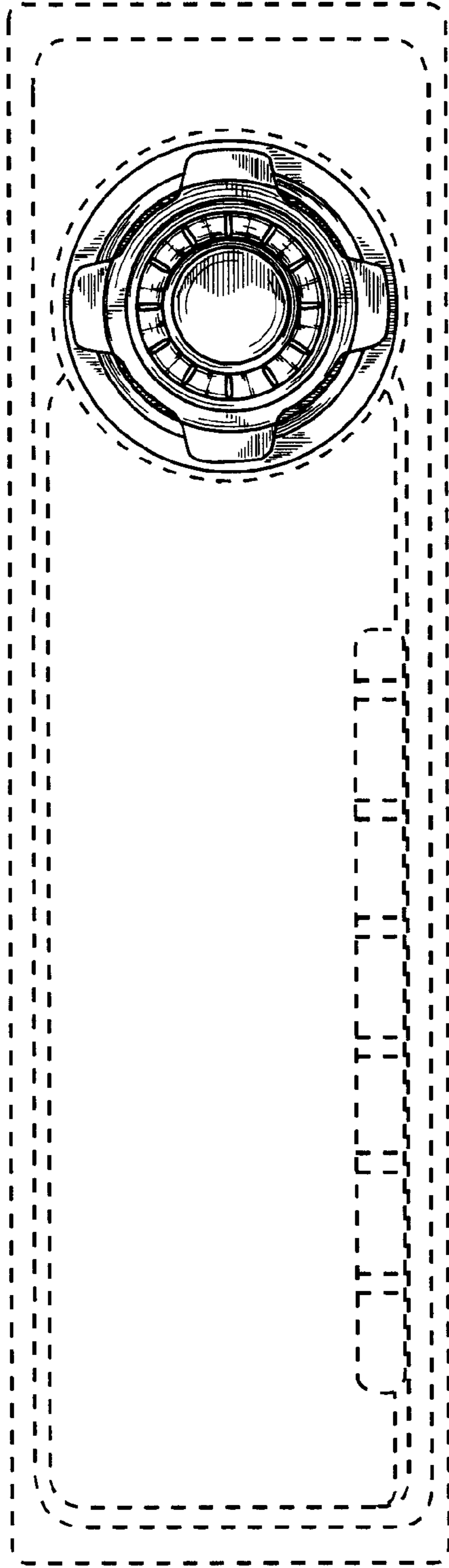


Fig. 12