



US00D438191S

(12) **United States Design Patent**  
**Uehara**

(10) **Patent No.:** **US D438,191 S**

(45) **Date of Patent:** **\*\* Feb. 27, 2001**

(54) **DISC PLAYER**

5,852,594 \* 12/1998 Kaise ..... D14/156 X

(75) Inventor: **Mitsuhiro Uehara**, Tokyo (JP)

(73) Assignee: **Sony Corporation**, Tokyo (JP)

(\*\*) Term: **14 Years**

(21) Appl. No.: **29/117,477**

(22) Filed: **Jan. 28, 2000**

(51) **LOC (7) Cl.** ..... **14-01**

(52) **U.S. Cl.** ..... **D14/156**

(58) **Field of Search** ..... D14/135, 136,  
D14/156-157, 160-164, 167-168, 188,  
197-198; D21/332, 324; 273/148 B; 463/1,  
29-47; 369/275.1, 272, 99, 100; 386/125,  
126

(56) **References Cited**

**U.S. PATENT DOCUMENTS**

- D. 314,198 \* 1/1991 Ito et al. .... D14/156
- D. 327,889 \* 7/1992 Ito et al. .... D14/136 X
- D. 408,809 \* 4/1999 Sakamoto et al. .... D14/136
- D. 409,605 \* 5/1999 Miyazaki ..... D14/156
- D. 415,758 \* 10/1999 Ito et al. .... D14/156

**OTHER PUBLICATIONS**

- Catalog "87"; Sony; Nov. 1997; p. 188.
- Catalog "80"; Sony; Jul. 1995; pp. 166 & 167.
- Catalog "99"; Sony; Jun. 1999; pp. 15 & 16.

\* cited by examiner

*Primary Examiner*—Nanda Bondade

(74) *Attorney, Agent, or Firm*—Rader, Fishman & Grauer

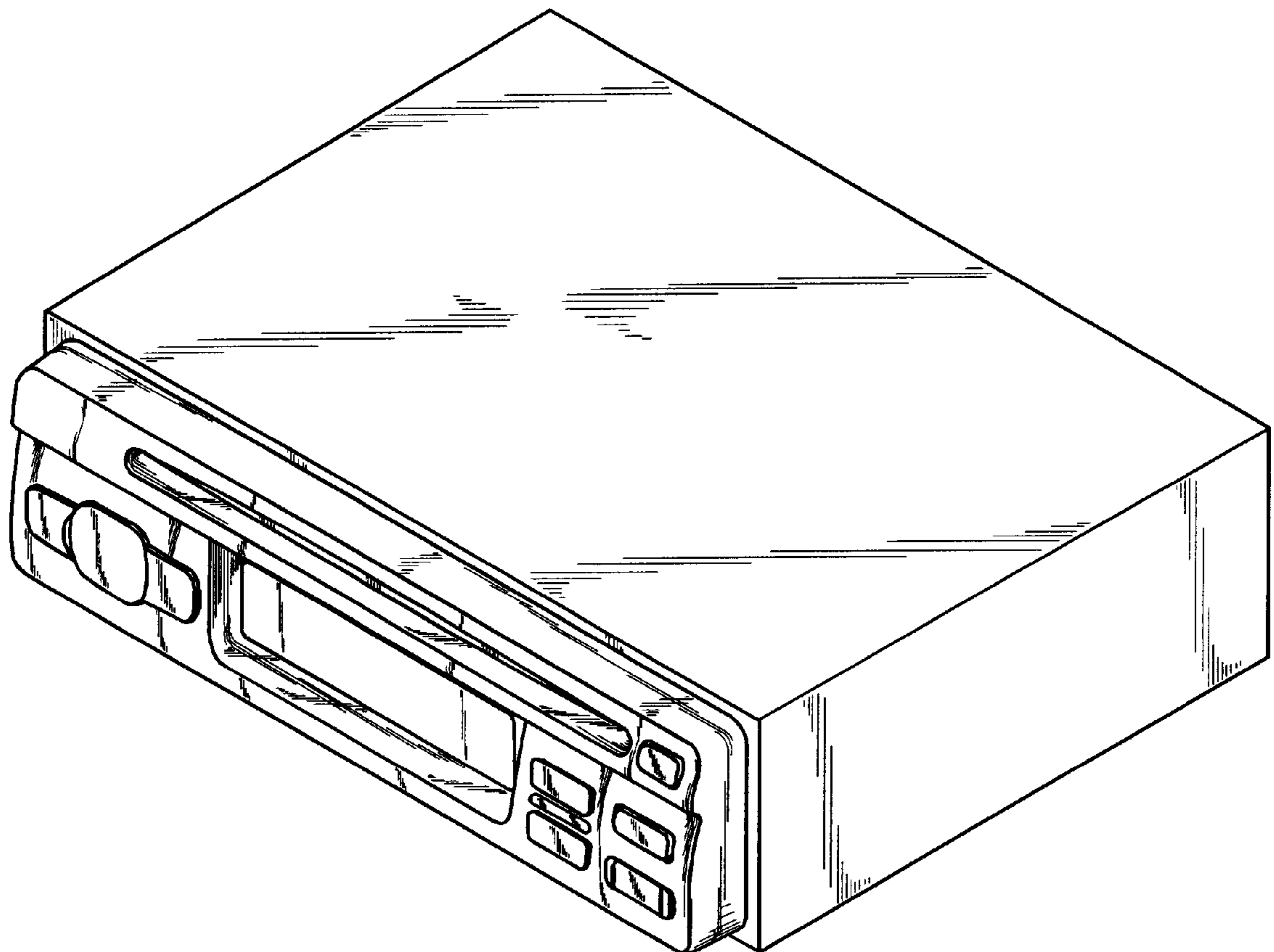
(57) **CLAIM**

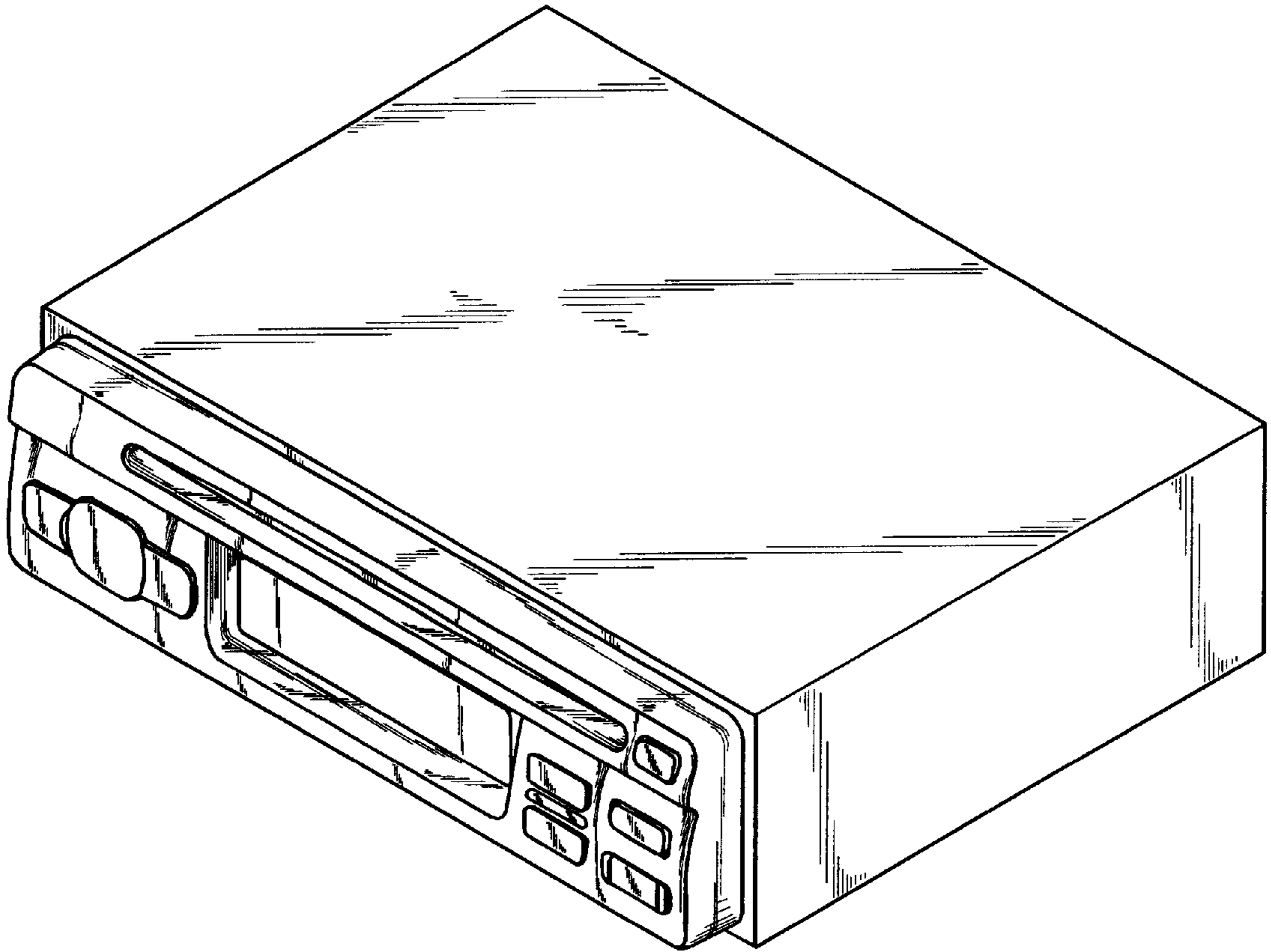
The ornamental design for a disc player, as shown and described.

**DESCRIPTION**

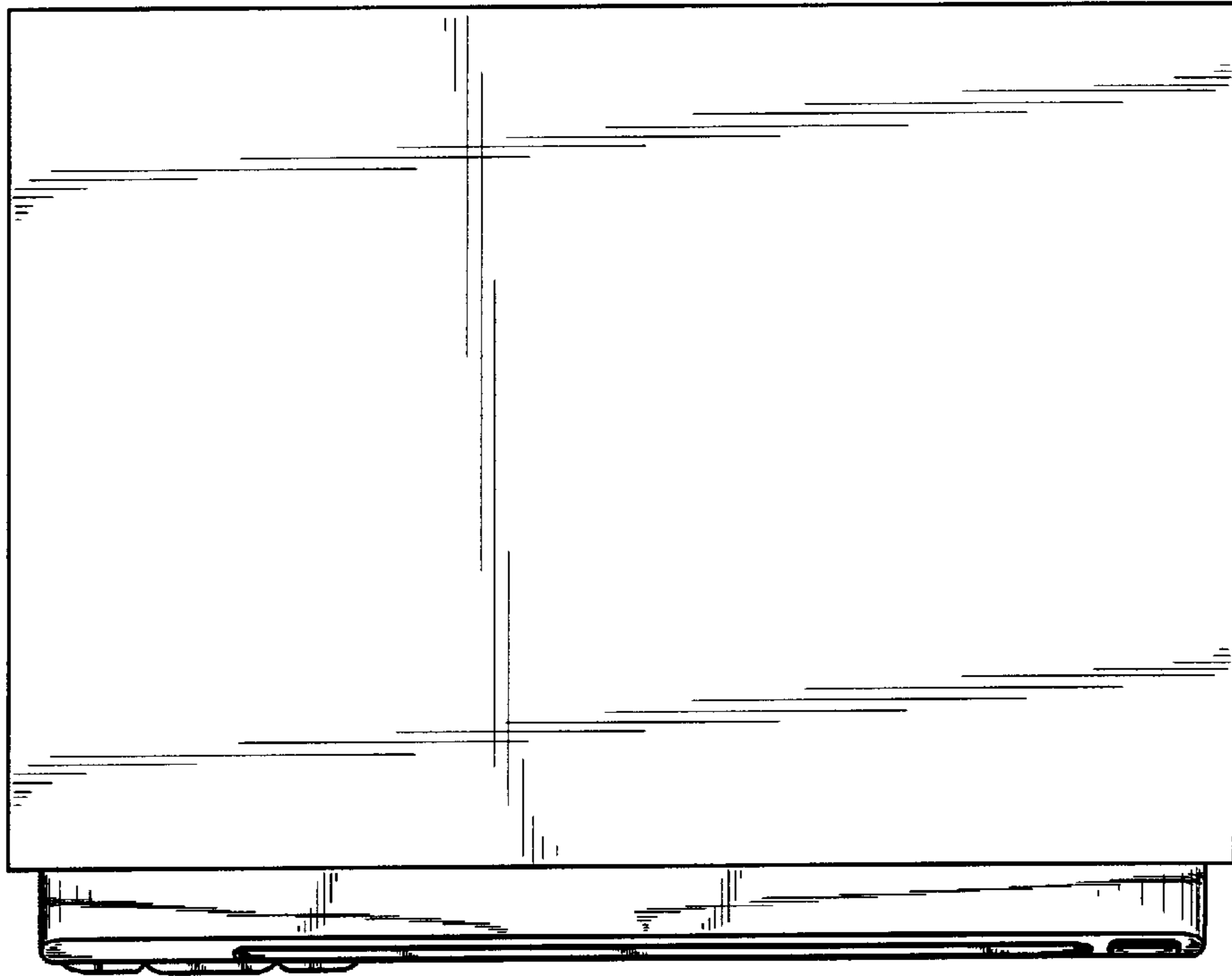
FIG. 1 is a perspective view of the front portion of a disc player showing my design;  
 FIG. 2 is a top plan view thereof;  
 FIG. 3 is a bottom plan view thereof;  
 FIG. 4 is a left side elevational view thereof;  
 FIG. 5 is a right side elevational view thereof;  
 FIG. 6 is a front elevational view thereof; and,  
 FIG. 7 is a rear elevational view thereof.

**1 Claim, 4 Drawing Sheets**

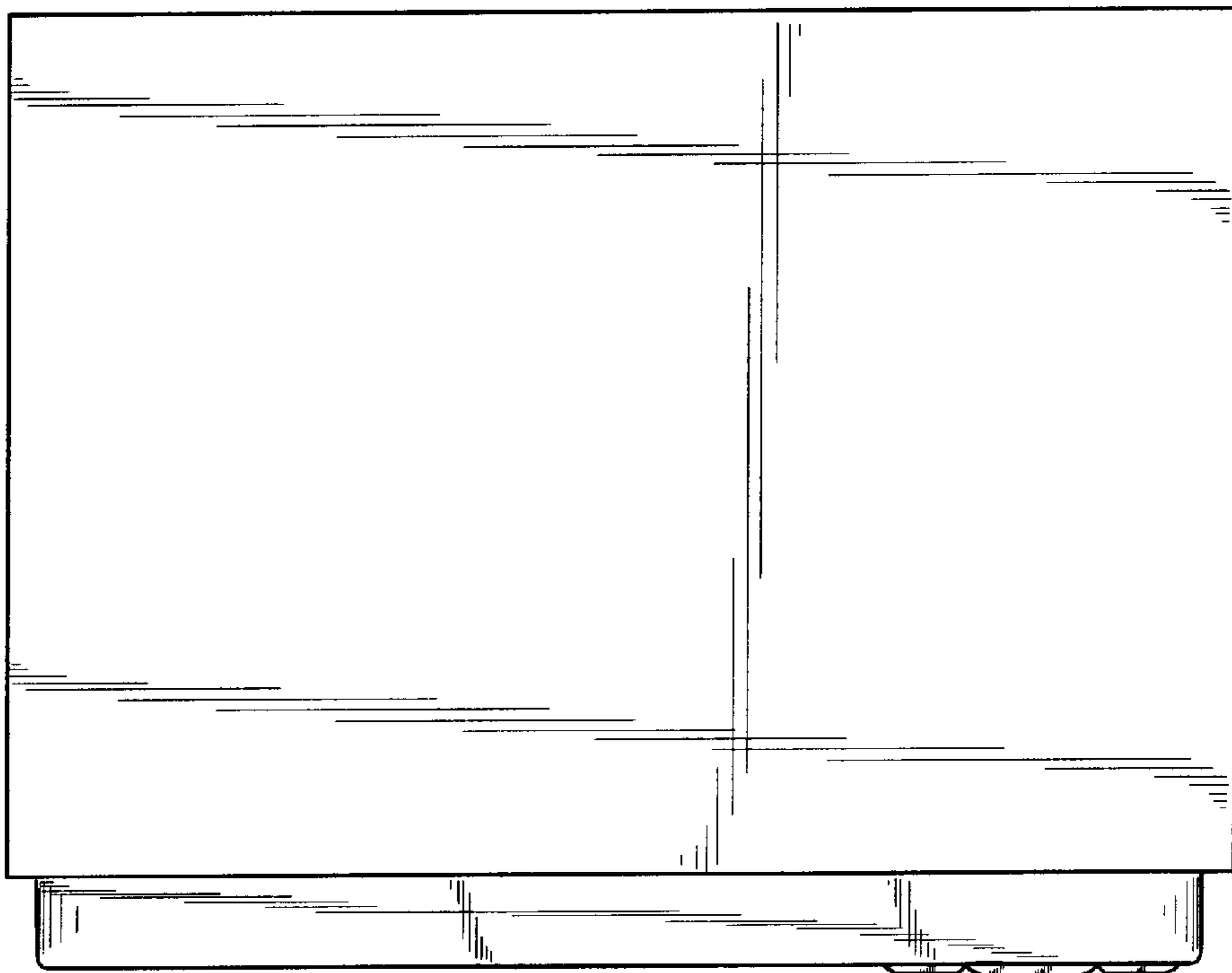




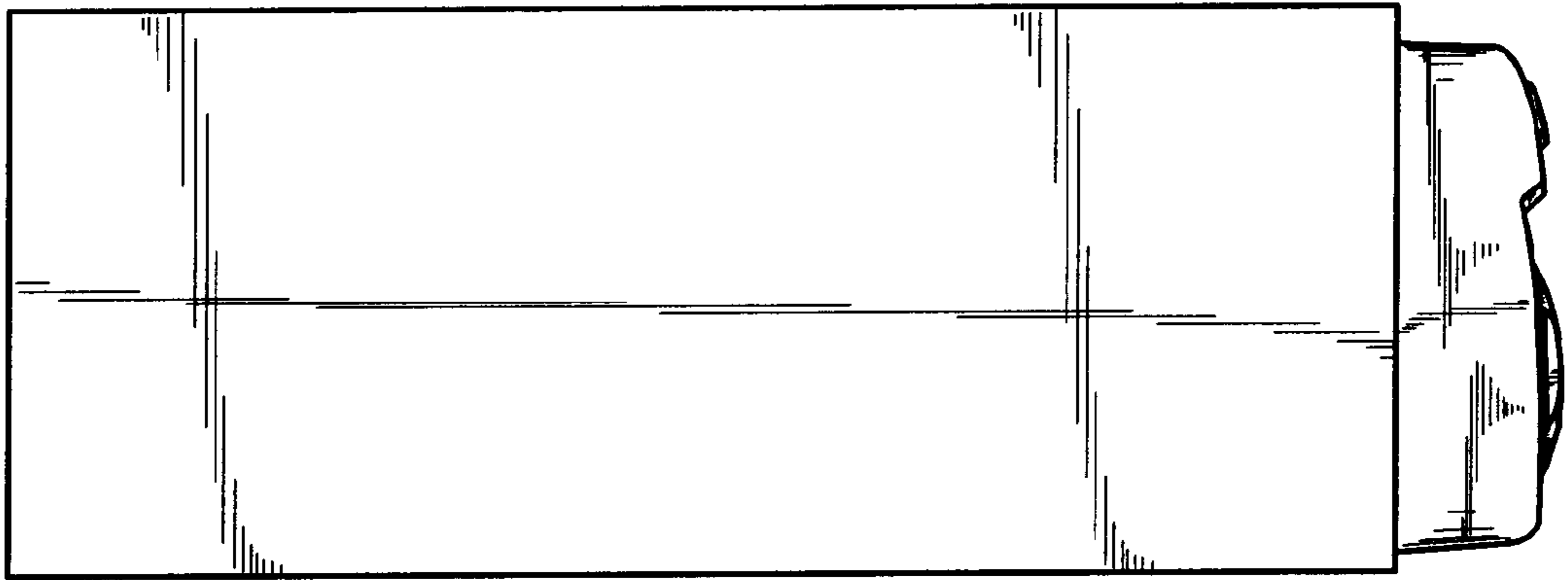
**Fig. 1**



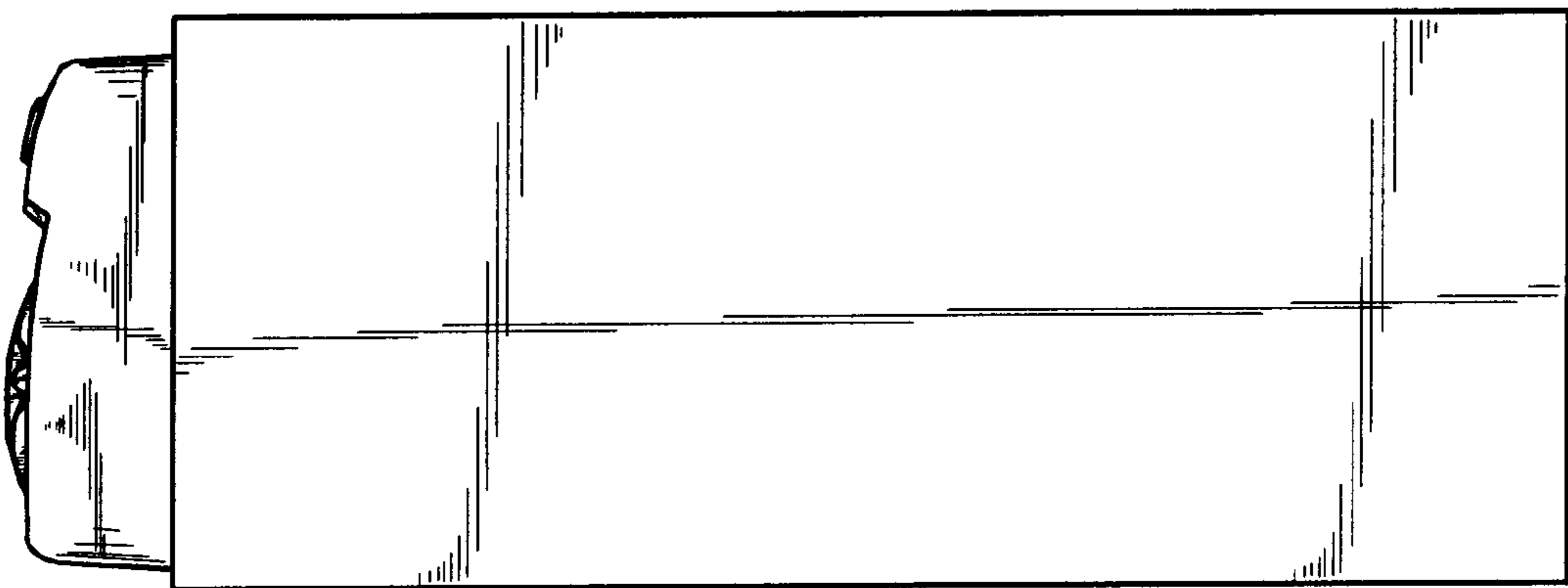
**Fig. 2**



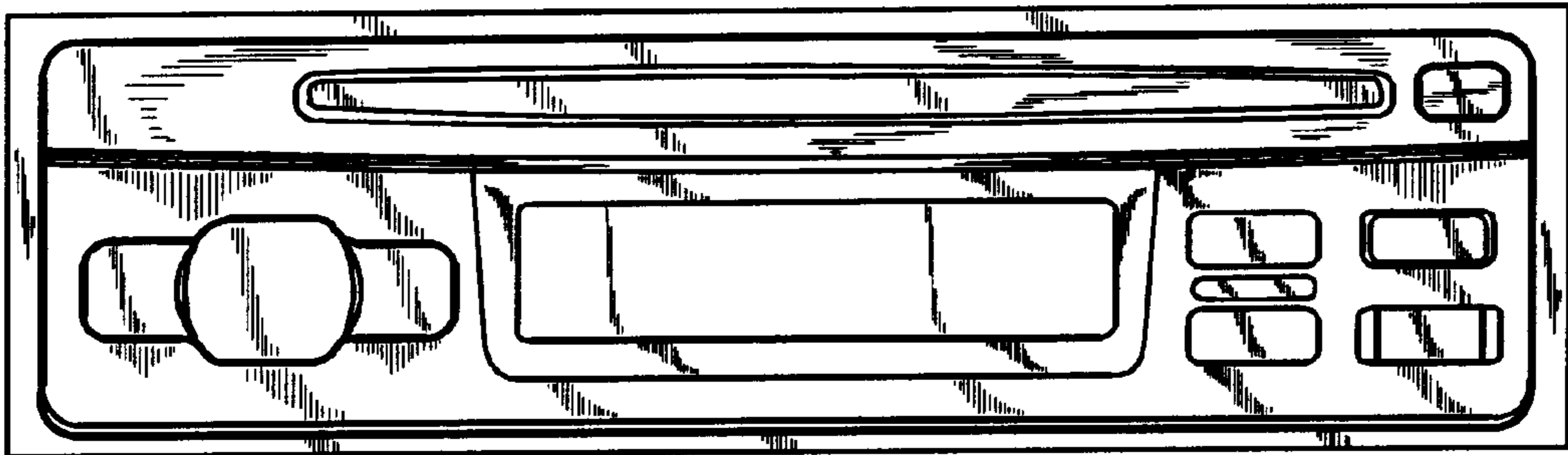
**Fig. 3**



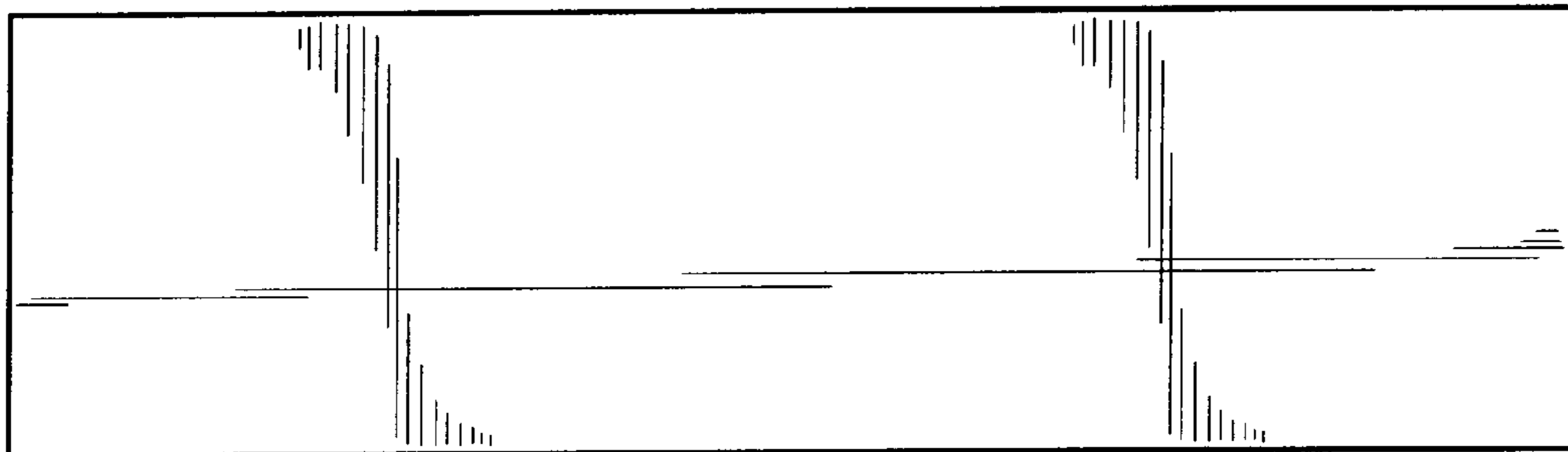
**Fig. 4**



**Fig. 5**



**Fig. 6**



**Fig. 7**