



US00D438188S

(12) **United States Design Patent**
Peiker

(10) **Patent No.:** **US D438,188 S**

(45) **Date of Patent:** **** Feb. 27, 2001**

(54) **TELEPHONE HANDSET**

(76) Inventor: **Andreas Peiker**, Max-Planck-Strasse
32, 61381 Friedrichsdorf (DE)

(**) Term: **14 Years**

(21) Appl. No.: **29/122,266**

(22) Filed: **Apr. 25, 2000**

(30) **Foreign Application Priority Data**

Oct. 26, 1999 (DE) 499 10 145

(51) **LOC (7) Cl.** **14-03**

(52) **U.S. Cl.** **D14/148**

(58) **Field of Search** D14/137, 138,
D14/147-148, 247-248, 250, 240, 140-142;
379/433.434, 419, 420, 428, 440; 455/550-575,
90

(56) **References Cited**

U.S. PATENT DOCUMENTS

- D. 291,564 * 8/1987 Kajita D14/138
- D. 299,136 * 12/1988 Taylor D14/148
- D. 319,052 * 8/1991 Major D14/138
- D. 324,383 * 3/1992 Konno D14/138
- D. 325,909 * 5/1992 Shambley et al. D14/138
- D. 342,069 * 12/1993 Konno D14/148
- D. 344,271 * 2/1994 Nagele D14/148
- D. 348,667 * 7/1994 Oksman et al. D14/148

- D. 349,898 * 8/1994 Tattari et al. D14/148
- D. 364,620 * 11/1995 Prior et al. D14/147
- D. 377,792 * 2/1997 Lindeman D14/148
- D. 392,282 * 3/1998 Ahearn et al. D14/116
- D. 412,168 * 7/1999 Phillips et al. D14/138
- 5,029,236 * 7/1991 Yasuda et al. 455/90
- 5,301,224 * 4/1994 Major 455/569
- 5,335,261 * 8/1994 Fujinaka 455/563
- 5,655,018 * 8/1997 Holl et al. 379/433
- 5,901,367 * 5/1999 Toh 455/575

* cited by examiner

Primary Examiner—Jeffrey Asch

(74) *Attorney, Agent, or Firm*—Morgan, Lewis & Bockius
LLP

(57) **CLAIM**

The ornamental design for the telephone handset, as shown
and described.

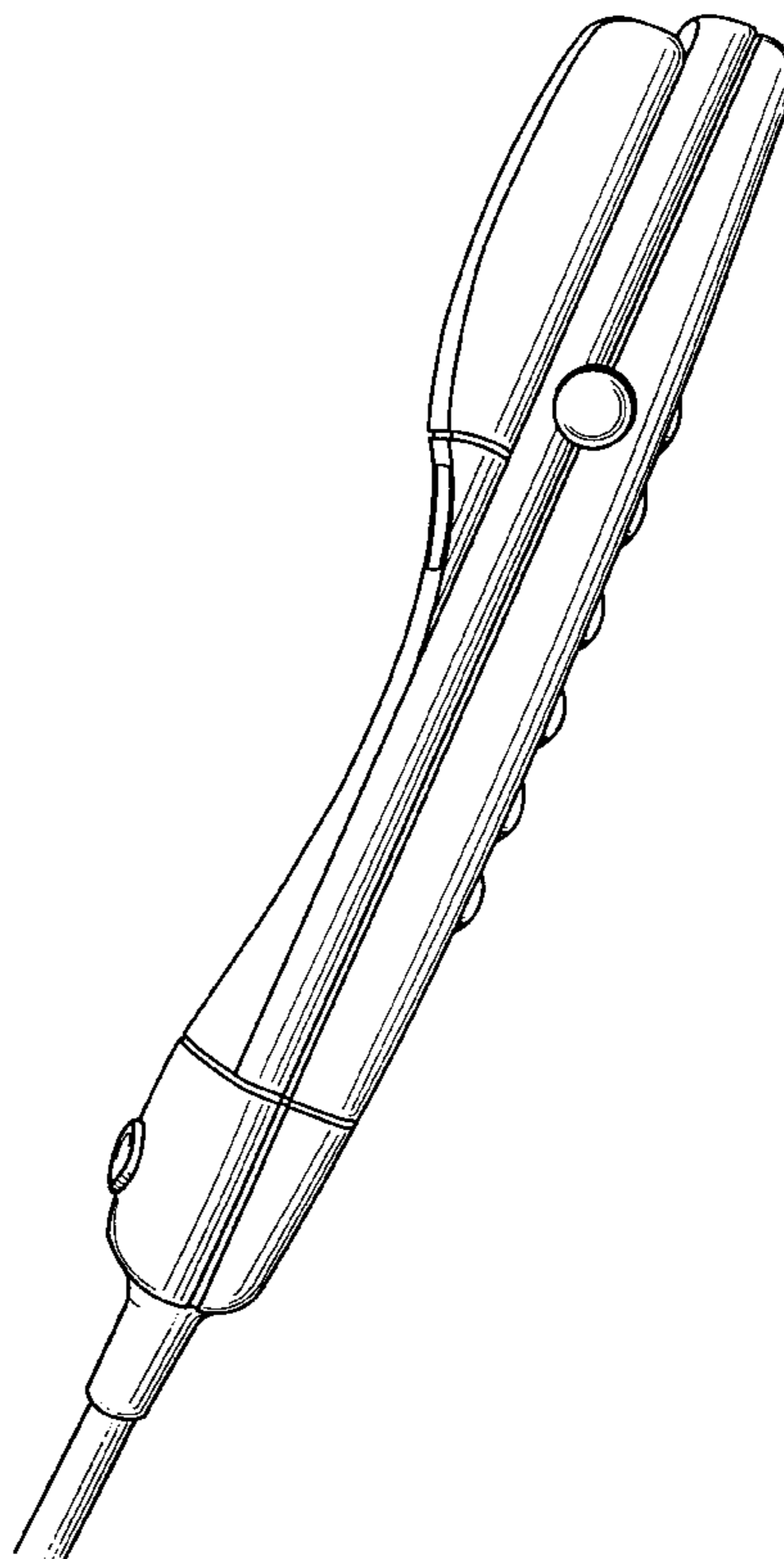
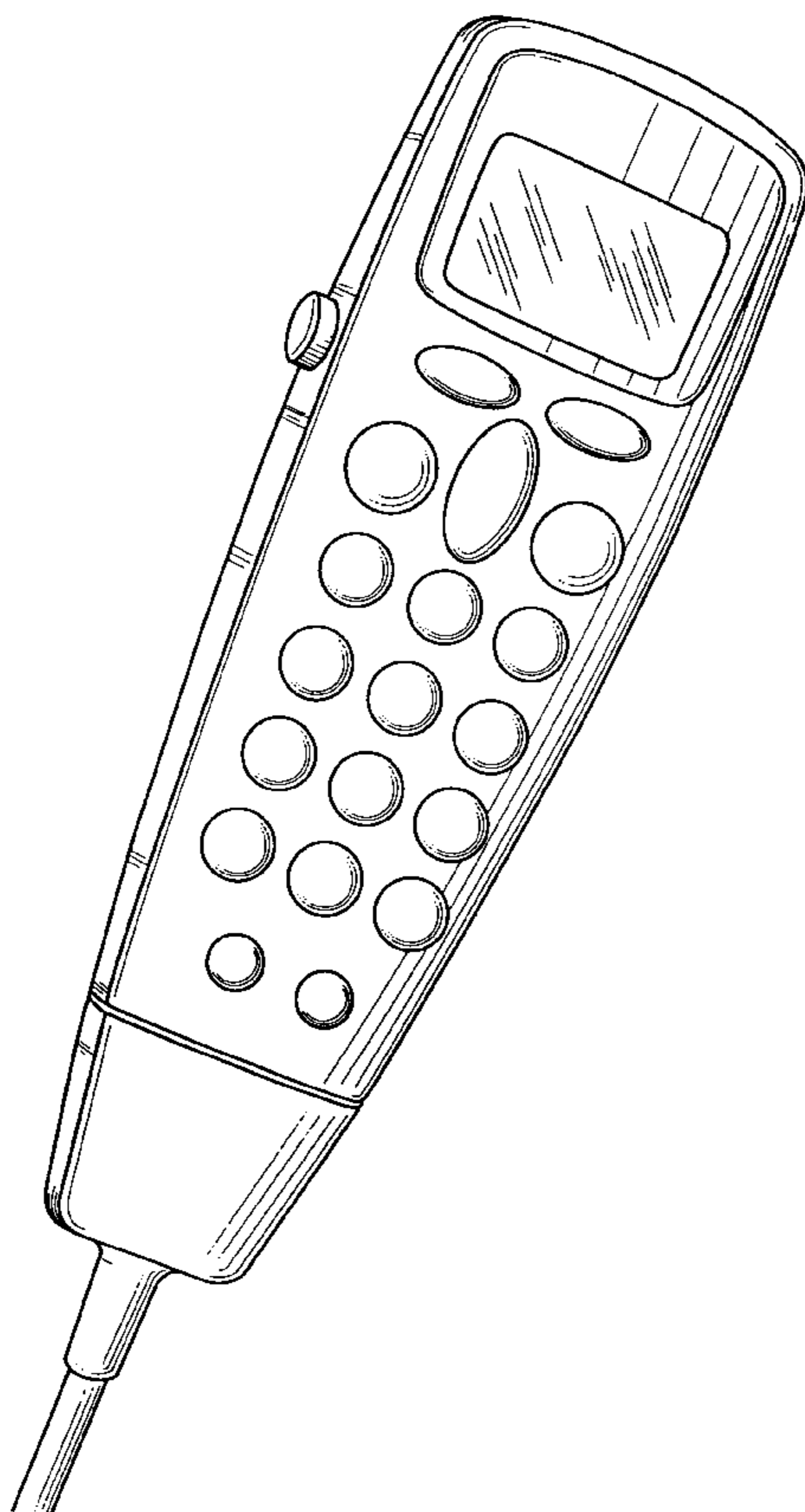
DESCRIPTION

FIG. 1 shows a perspective frontal view of a telephone
handset;

FIG. 2 shows a side view of the telephone handset; and,
FIG. 3 shows a rear view of the telephone handset.

The portions of the article not shown in the drawing or
described in the specification do not form a part of the
claimed design.

1 Claim, 3 Drawing Sheets



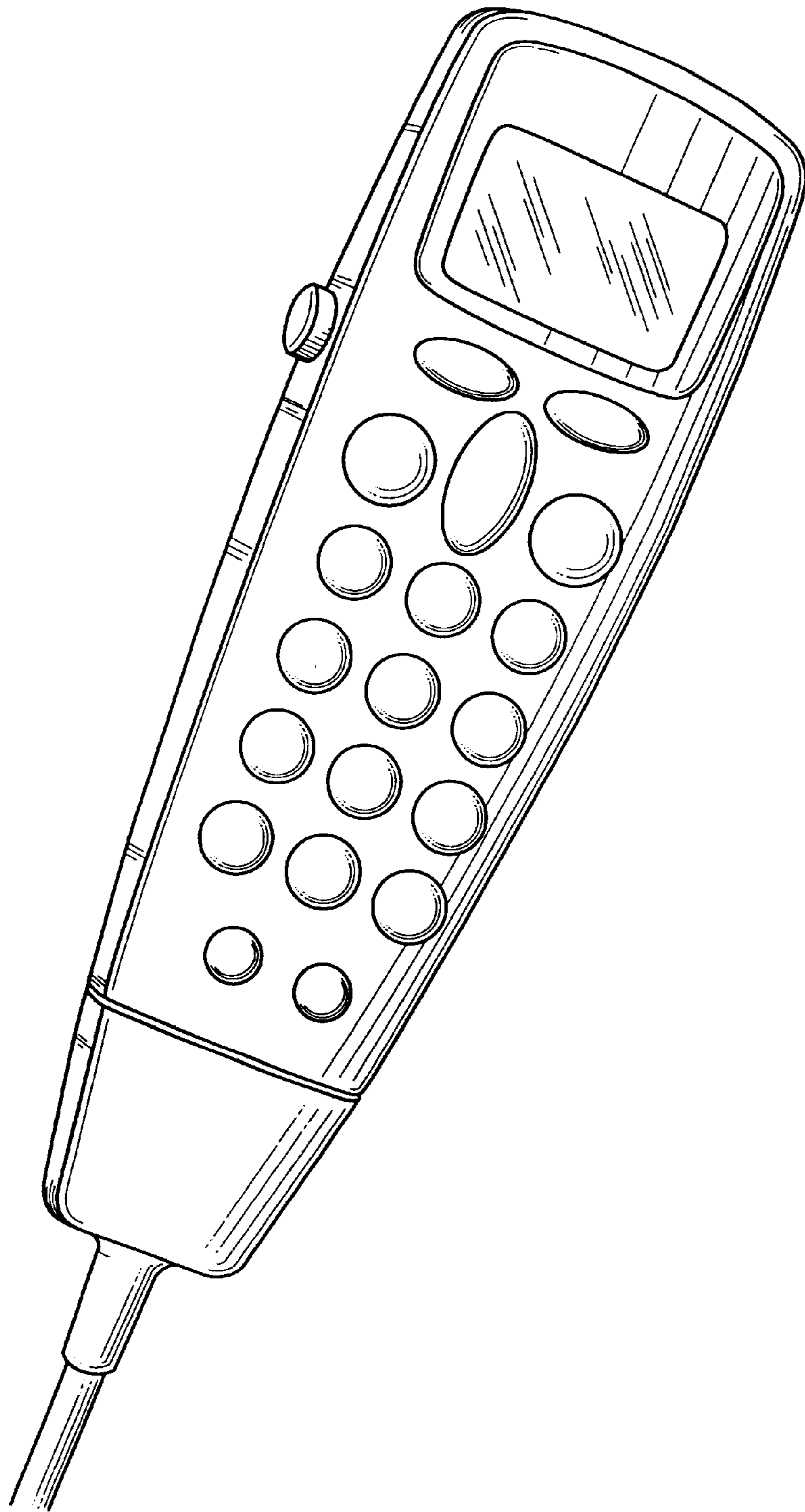


FIG. 1

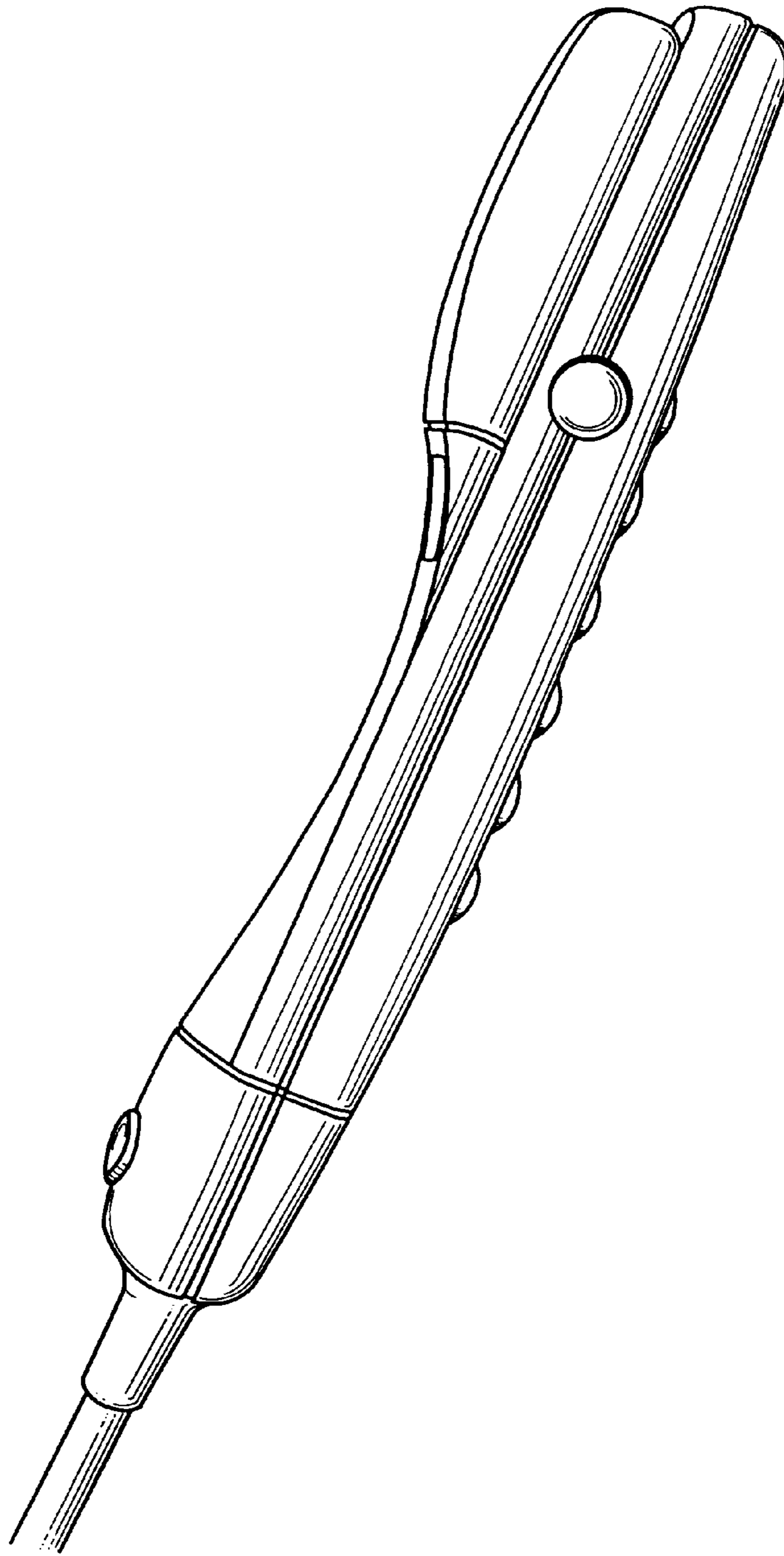


FIG. 2

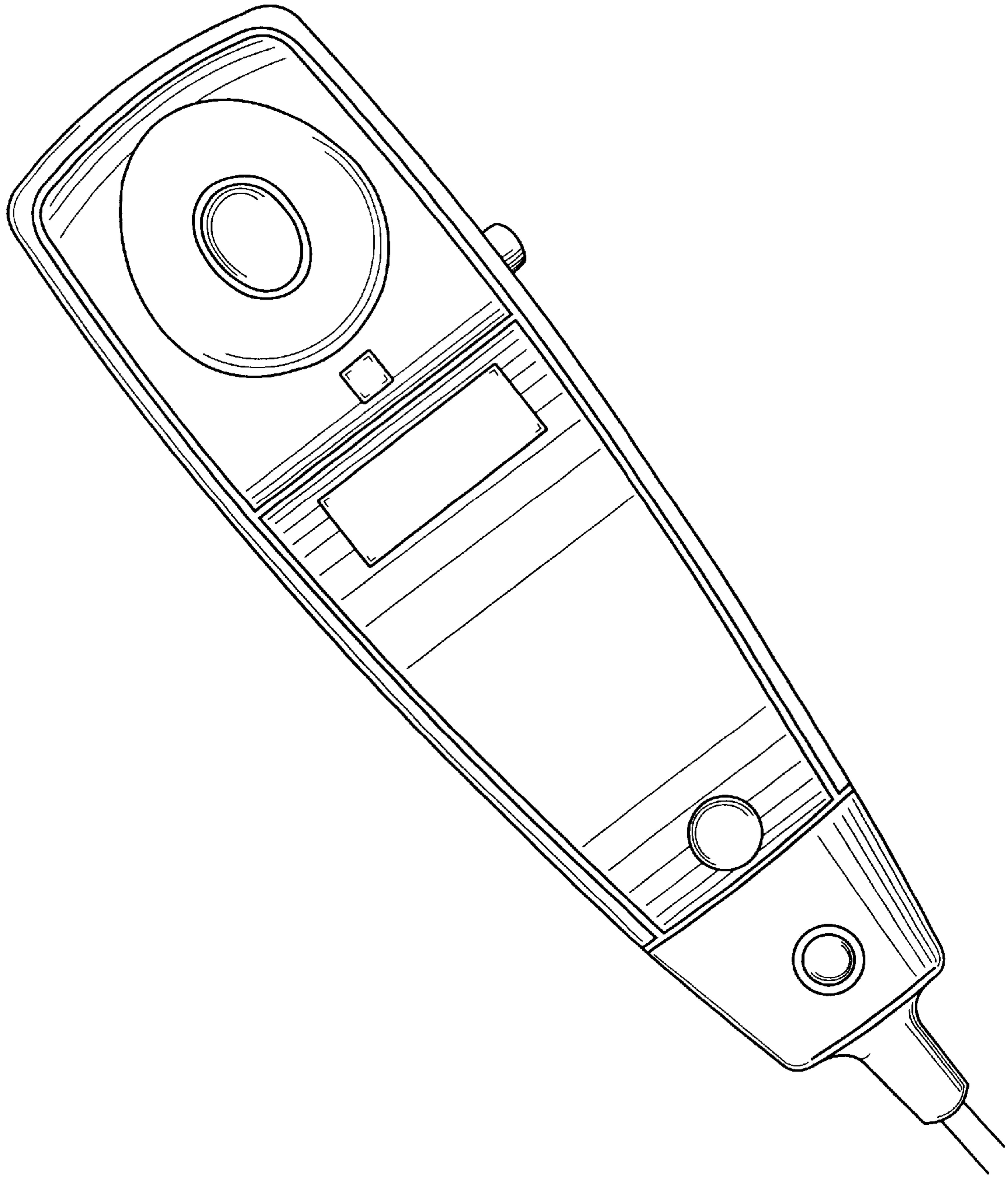


FIG. 3