



US00D438187S

(12) **United States Design Patent**
Peiker

(10) **Patent No.:** **US D438,187 S**

(45) **Date of Patent:** **** Feb. 27, 2001**

(54) **TELEPHONE HANDSET INCLUDING A SUPPORT**

(76) Inventor: **Andreas Peiker**, Max-Planck-Strasse
32, 61381 Friedrichsdorf (DE)

(**) Term: **14 Years**

(21) Appl. No.: **29/122,264**

(22) Filed: **Apr. 25, 2000**

(30) **Foreign Application Priority Data**

Oct. 26, 1999 (DE) 4 99 10 145

(51) **LOC (7) Cl.** **14-03**

(52) **U.S. Cl.** **D14/148; D14/248; D14/253**

(58) **Field of Search** D14/137, 138,
D14/147-148, 247-248, 250, 240, 140-142;
379/433.434, 419, 420, 428, 440; 455/550-575,
90

(56) **References Cited**

U.S. PATENT DOCUMENTS

| | | | | | |
|------------|---|---------|-----------------|-------|---------|
| D. 284,858 | * | 7/1986 | Kao | | D14/248 |
| D. 297,009 | * | 8/1988 | Grambush et al. | | D14/138 |
| D. 299,027 | * | 12/1988 | Boykiw | | D14/248 |
| D. 308,058 | * | 5/1990 | Hotsumi et al. | | D14/138 |
| D. 319,052 | * | 8/1991 | Major | | D14/138 |
| D. 324,383 | * | 3/1992 | Konno | | D14/138 |
| D. 324,682 | * | 3/1992 | Renard et al. | | D14/151 |
| D. 325,909 | * | 5/1992 | Shambley et al. | | D14/138 |
| D. 342,069 | * | 12/1993 | Konnno | | D14/148 |

| | | | | | |
|------------|---|---------|-------------------------|-------|---------|
| D. 348,667 | * | 7/1994 | Oksman et al. | | D14/148 |
| D. 349,898 | * | 8/1994 | Tattari et al. | | D14/148 |
| D. 352,282 | * | 11/1994 | Toh et al. | | D14/150 |
| D. 359,283 | * | 6/1995 | Rudkiewicz | | D14/149 |
| D. 364,620 | * | 11/1995 | Prior et al. | | D14/147 |
| D. 369,358 | * | 4/1996 | Estevez-Alcolado et al. | | D14/248 |
| D. 377,024 | * | 12/1996 | Andrea | | D14/218 |
| 4,472,606 | * | 9/1984 | Krolopp et al. | | 379/455 |
| 5,301,224 | * | 4/1994 | Major | | 455/569 |
| 5,655,018 | * | 8/1997 | Holl et al. | | 379/433 |

* cited by examiner

Primary Examiner—Jeffrey Asch

(74) *Attorney, Agent, or Firm*—Morgan, Lewis & Bockius LLP

(57) **CLAIM**

The ornamental design for the telephone handset including a support, as shown and described.

DESCRIPTION

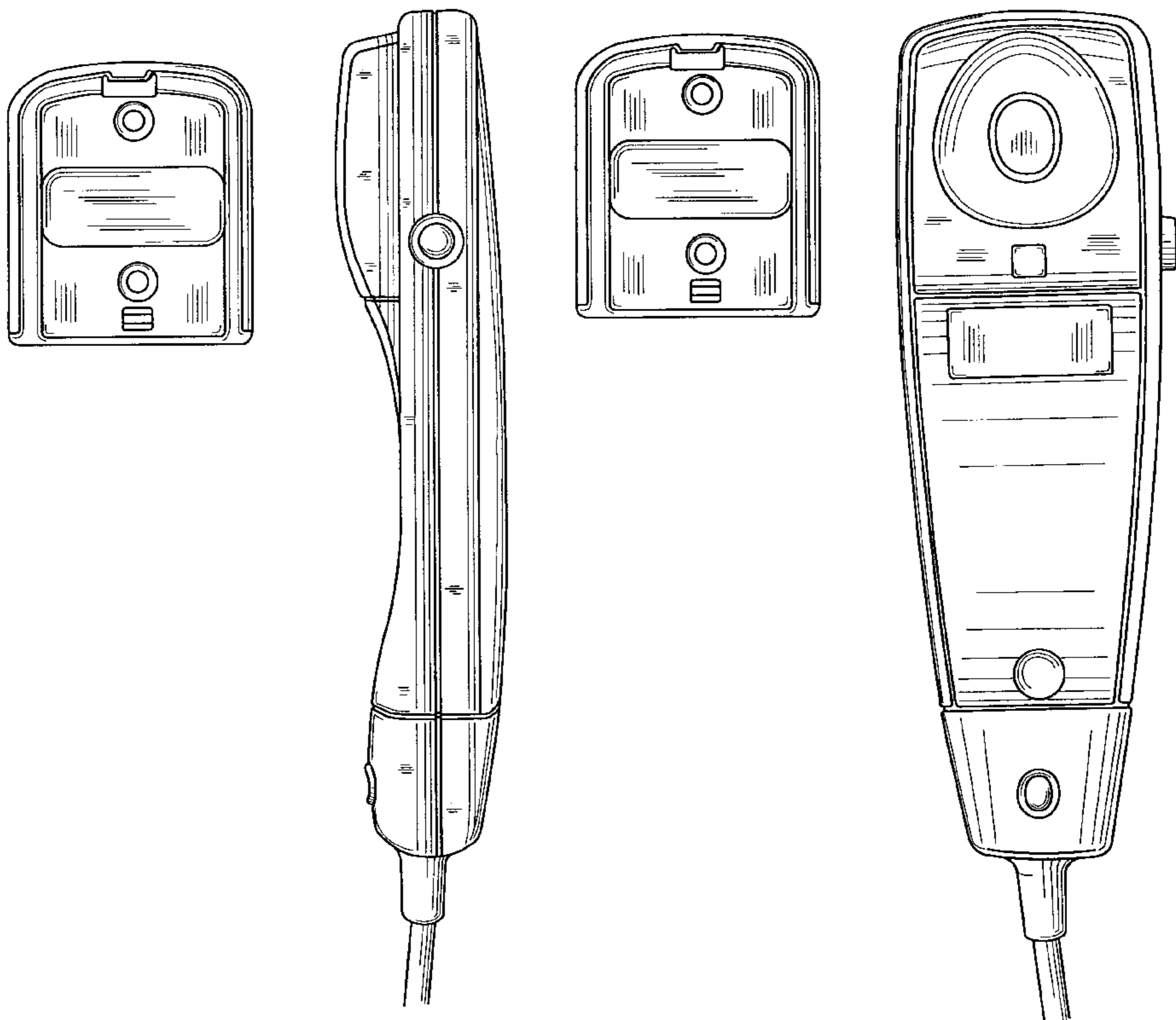
FIG. 1 shows a rear view of a telephone handset, including a support as shown from the front of the support;

FIG. 2 shows a side view of the telephone handset, including a support as shown from its front; and,

FIG. 3 shows a perspective front view of the telephone handset, including a support as shown from its front.

The portions of the article not shown in the drawing or described in the specification do not form a part of the claimed design.

1 Claim, 3 Drawing Sheets



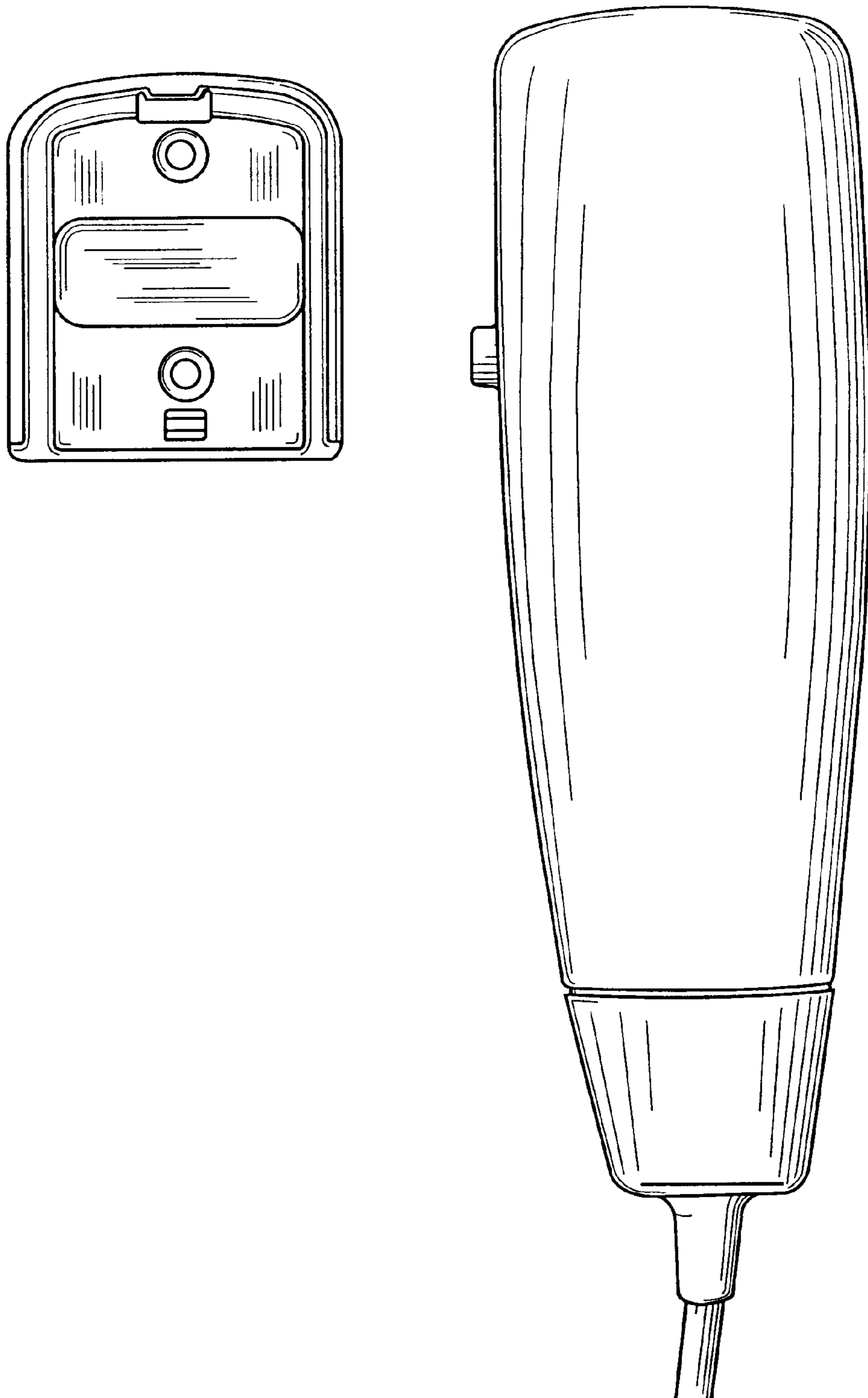


FIG. 1

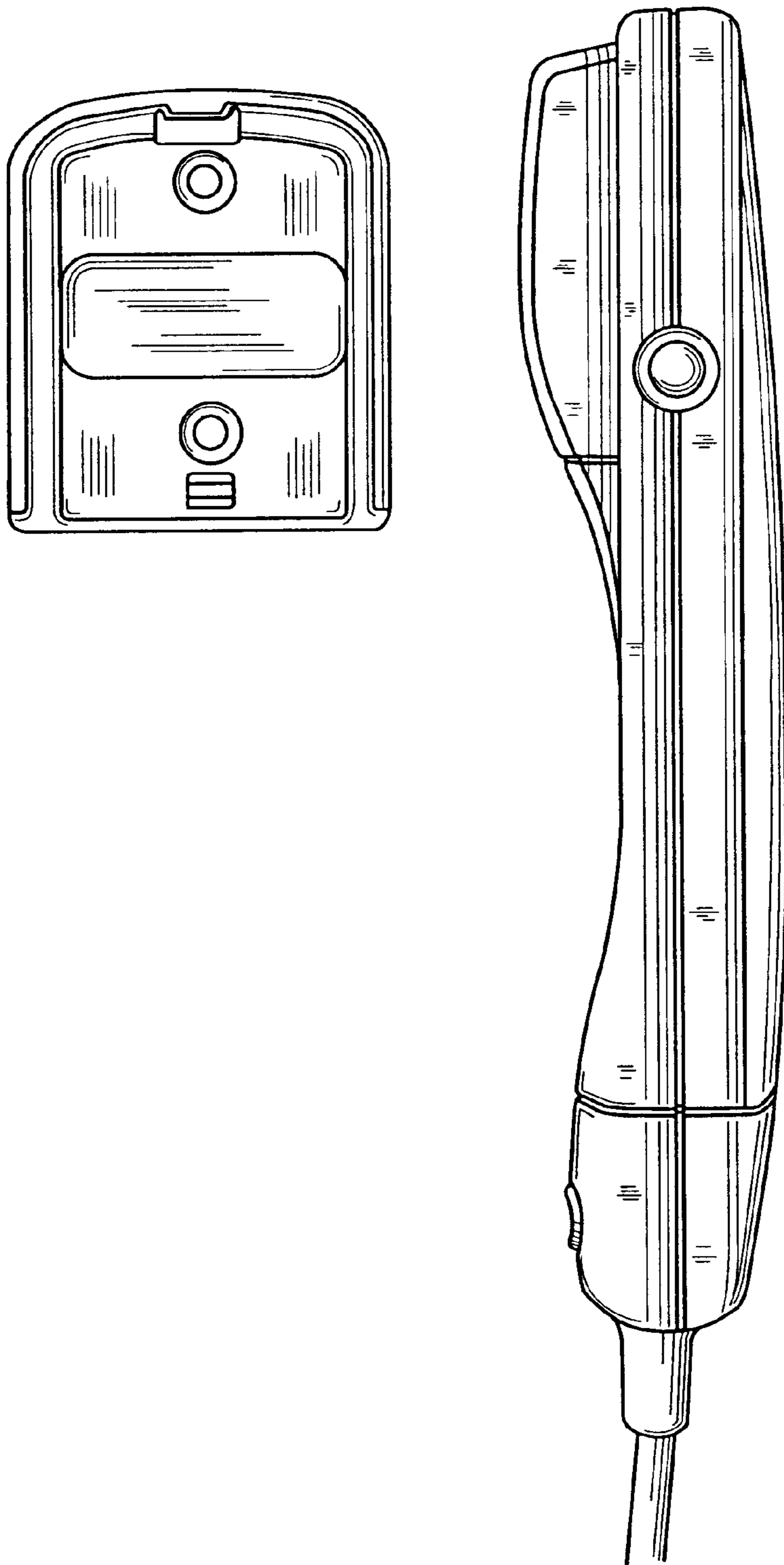


FIG. 2

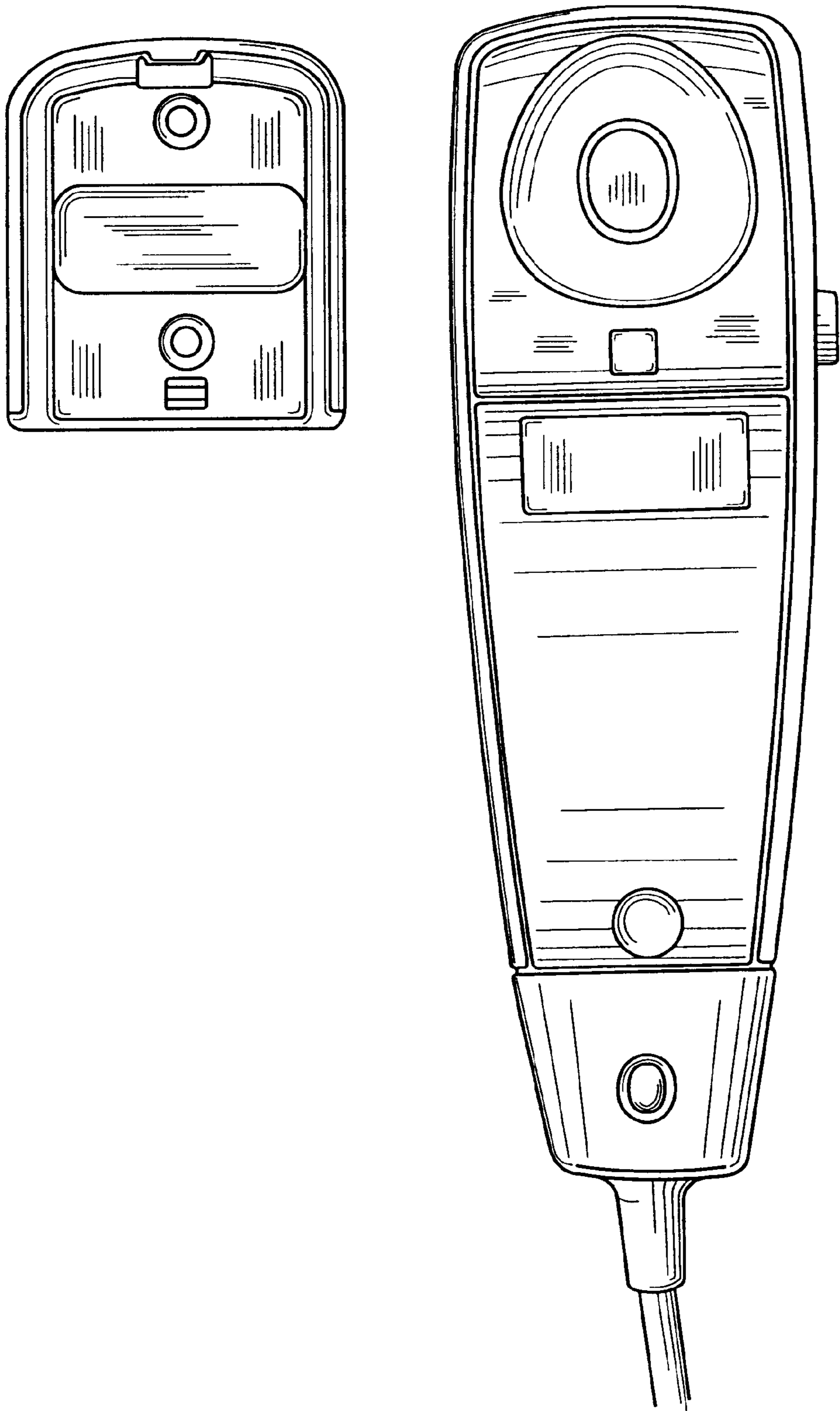


FIG. 3