



US00D438180S

(12) **United States Design Patent**
Izu et al.

(10) **Patent No.:** **US D438,180 S**

(45) **Date of Patent:** **** Feb. 27, 2001**

(54) **TV RECEIVER**

(75) Inventors: **Yuichi Izu**, Kawasaki; **Takashi Gumisawa**, Tokyo, both of (JP)

(73) Assignee: **Kabushiki Kaisha Toshiba**, Kawasaki (JP)

(**) Term: **14 Years**

(21) Appl. No.: **29/125,558**

(22) Filed: **Jun. 27, 2000**

(30) **Foreign Application Priority Data**

Dec. 27, 1999 (JP) 11-36952

(51) **LOC (7) Cl.** **14-03**

(52) **U.S. Cl.** **D14/126**

(58) **Field of Search** D14/125-129,
D14/131-134, 371, 374-382; 312/7.2; 348/836,
838

(56) **References Cited**

U.S. PATENT DOCUMENTS

- D. 298,247 * 10/1988 Kogane et al. D14/126
- D. 306,289 * 2/1990 Lee D14/126
- D. 317,597 6/1991 Kawanabe D14/126
- D. 342,503 * 12/1993 Kitashima et al. D14/126
- D. 360,205 * 7/1995 Yamazaki D14/129
- D. 377,010 * 12/1996 Usui et al. D14/126
- D. 378,752 * 4/1997 Asanuma D14/126
- D. 384,342 * 9/1997 Maeno et al. D14/126

- D. 400,524 * 11/1998 Takami et al. D14/126
- D. 403,310 * 12/1998 Takamasa D14/379
- D. 419,539 * 1/2000 Haney et al. D14/448
- D. 425,050 * 5/2000 Tanigawa et al. D14/126

OTHER PUBLICATIONS

The Prosumer Video Sourcebook, First Edition, TV on p. 110.*

Hitachi "Ultravision" brochure, item No. 32UX58B.*

* cited by examiner

Primary Examiner—Catherine Tuttle

(74) *Attorney, Agent, or Firm*—Banner & Witcoff, Ltd.

(57) **CLAIM**

The ornamental design for a TV receiver, as shown and described.

DESCRIPTION

FIG. 1 is a top, front and right side perspective view of TV receiver showing our new design;
 FIG. 2 is a front elevational view thereof;
 FIG. 3 is a right side elevational view thereof;
 FIG. 4 is a left side elevational view thereof;
 FIG. 5 is a top plan view thereof;
 FIG. 6 is a rear elevational view thereof;
 FIG. 7 is a bottom plan view thereof; and,
 FIG. 8 is a view similar to FIG. 2 but showing the lid of an operating section in an open position.

1 Claim, 4 Drawing Sheets

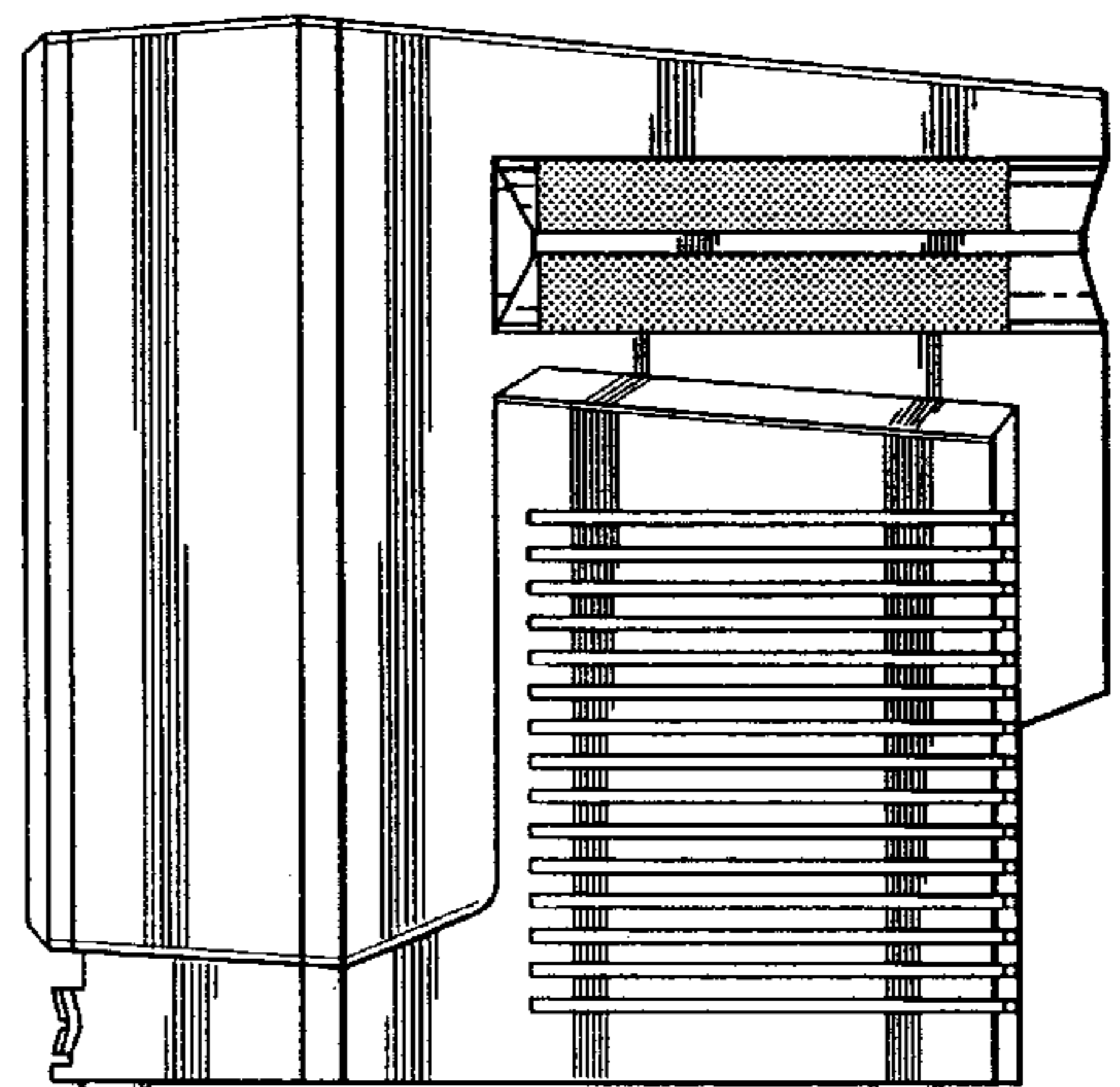
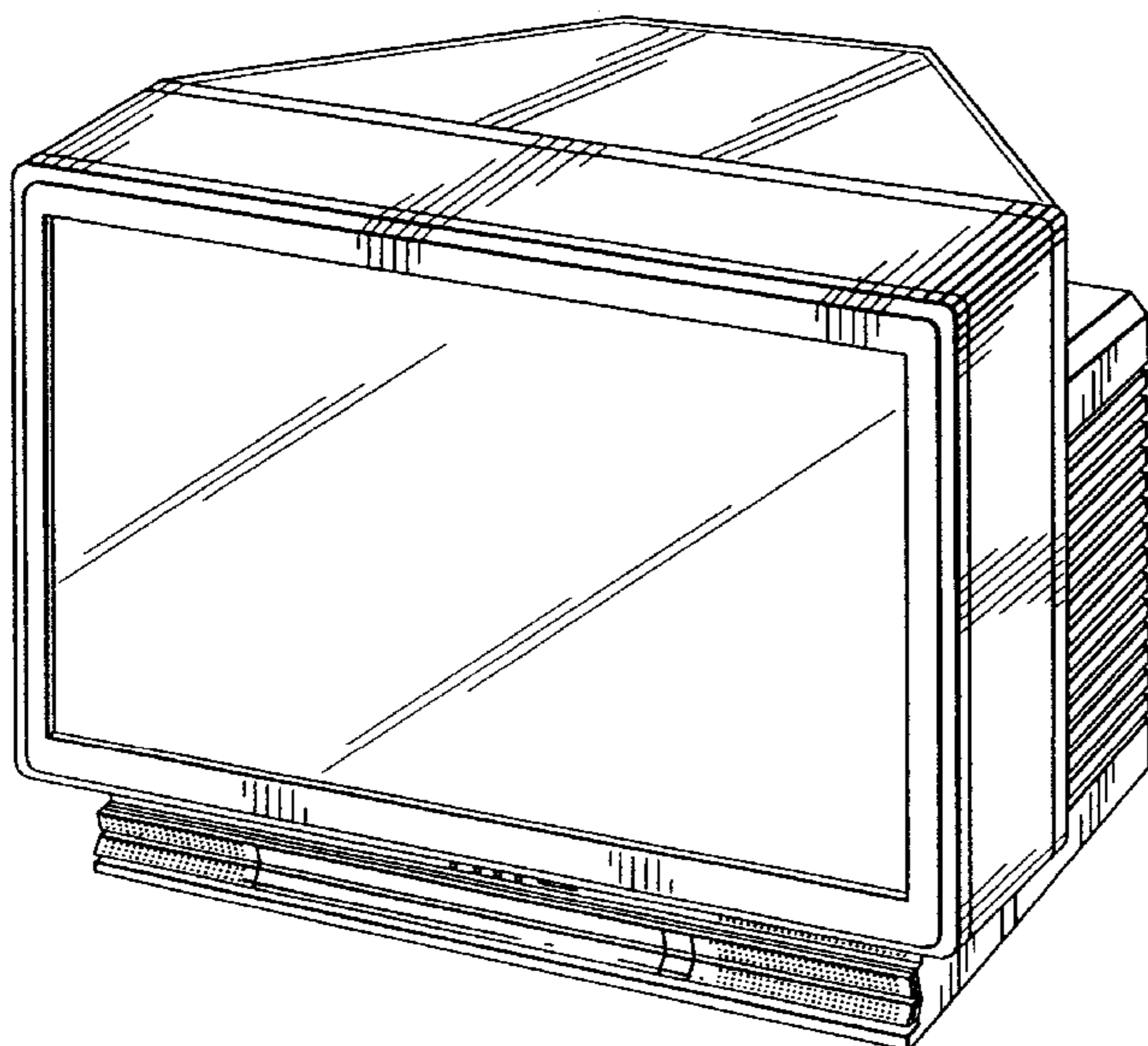


FIG. 1

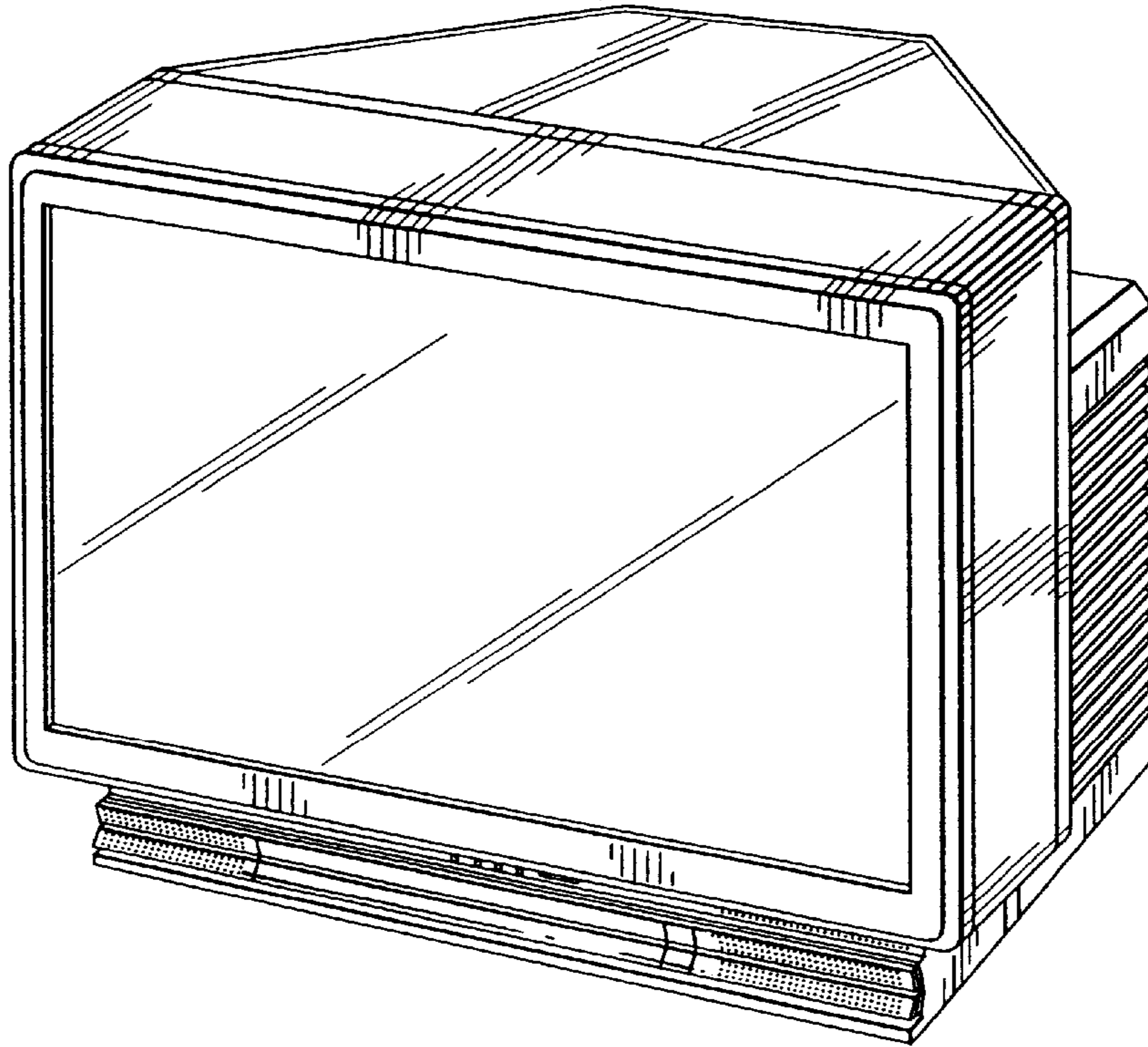


FIG. 2

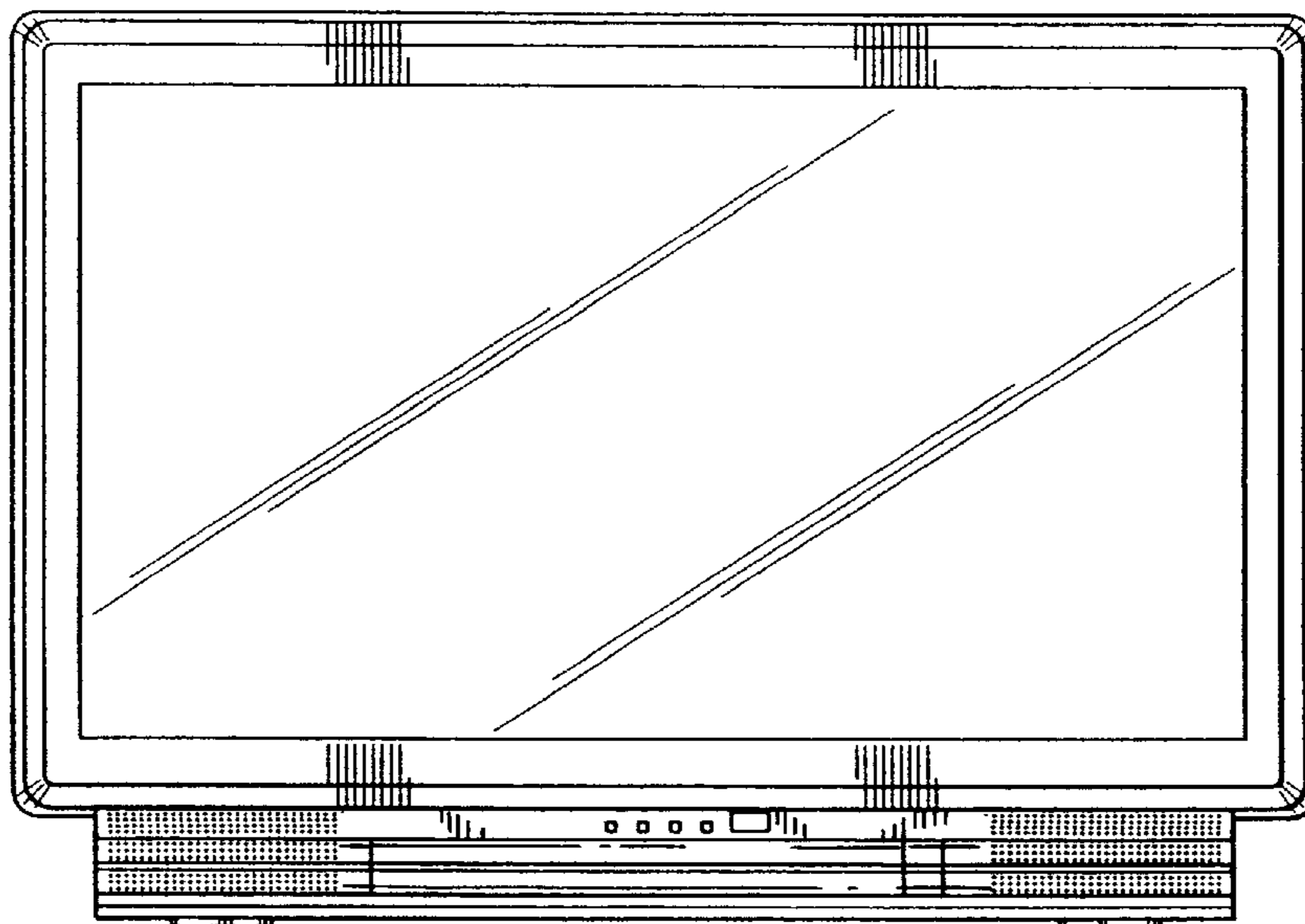


FIG. 3

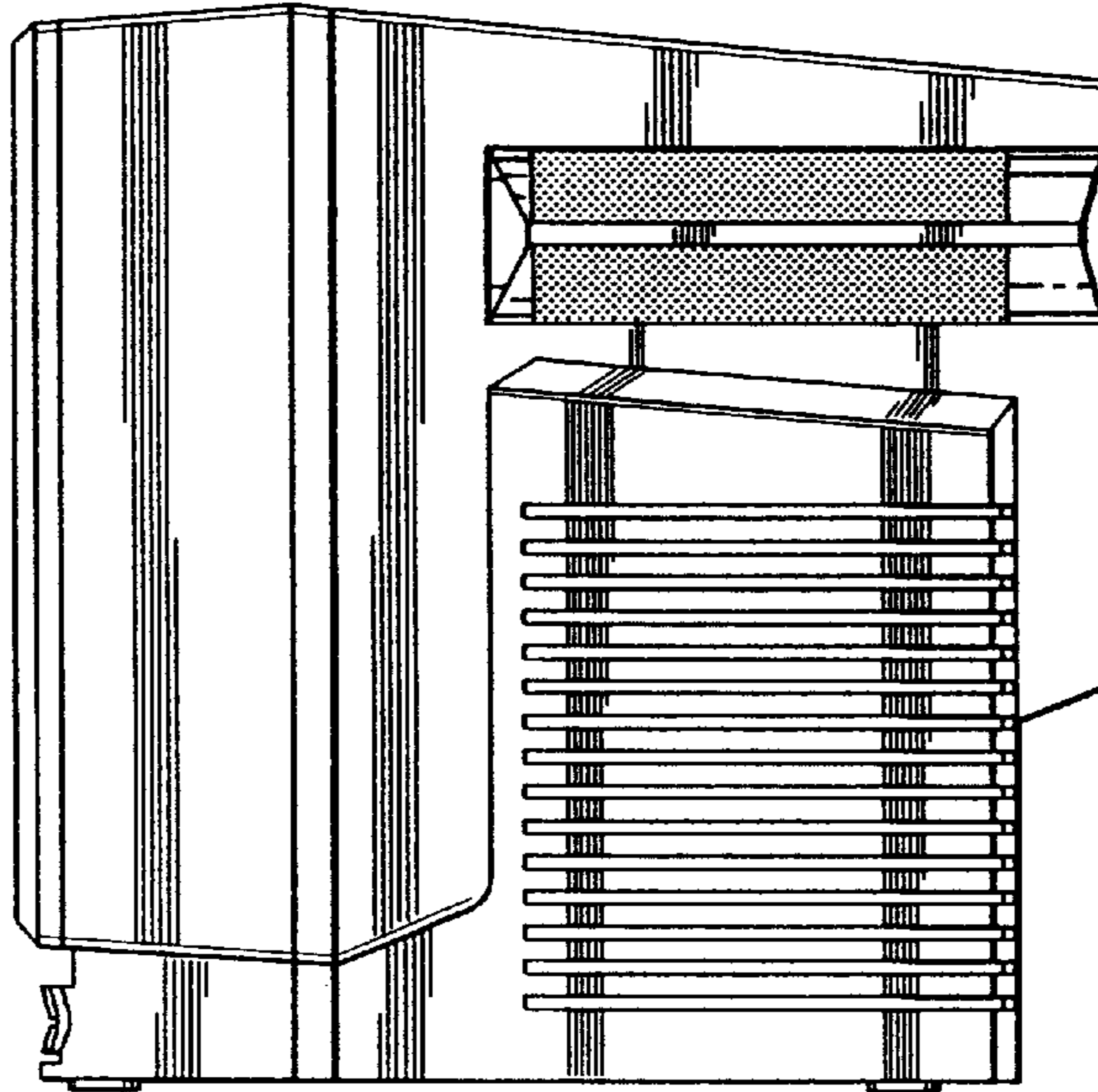


FIG. 4

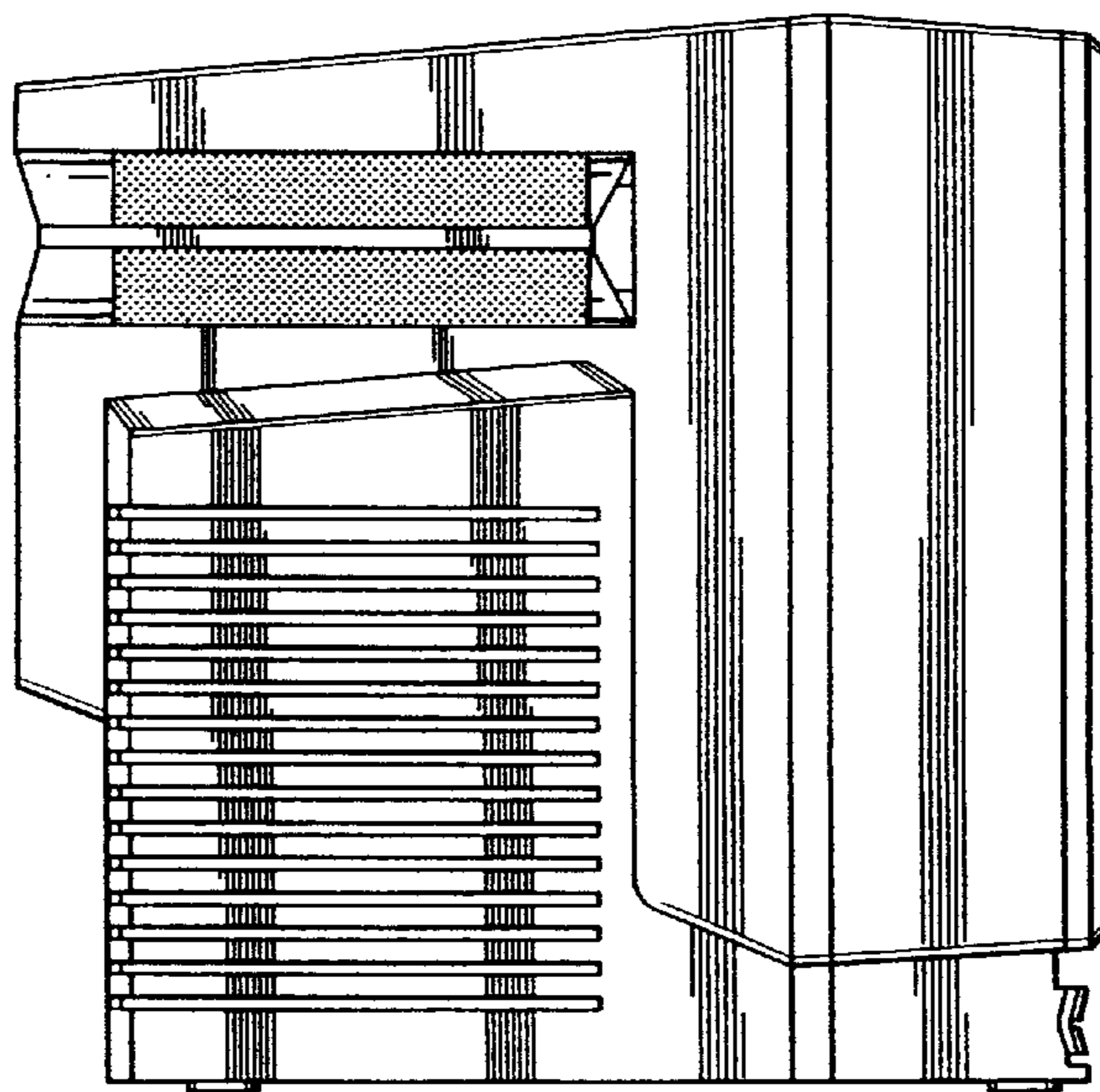


FIG. 5

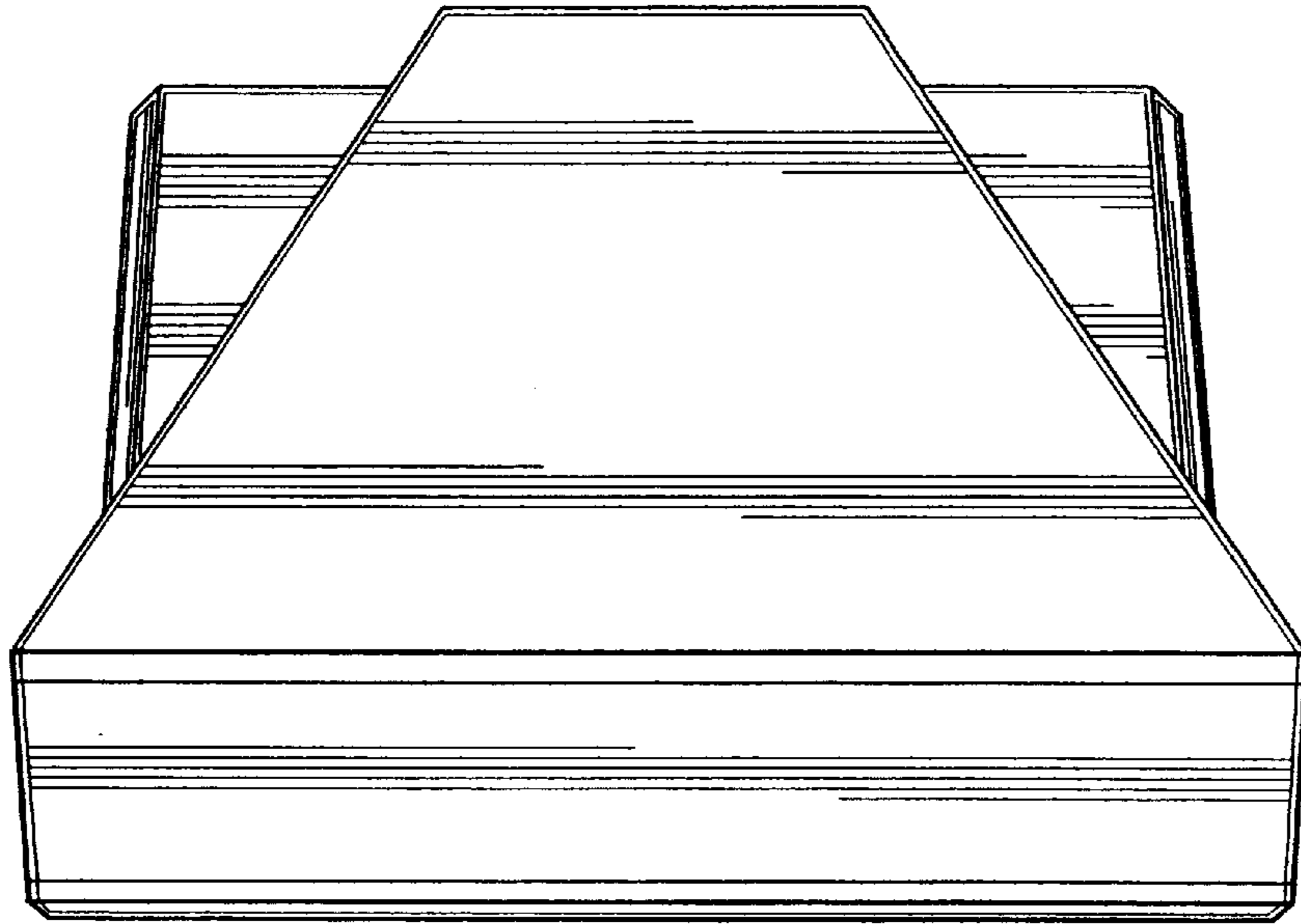


FIG. 6

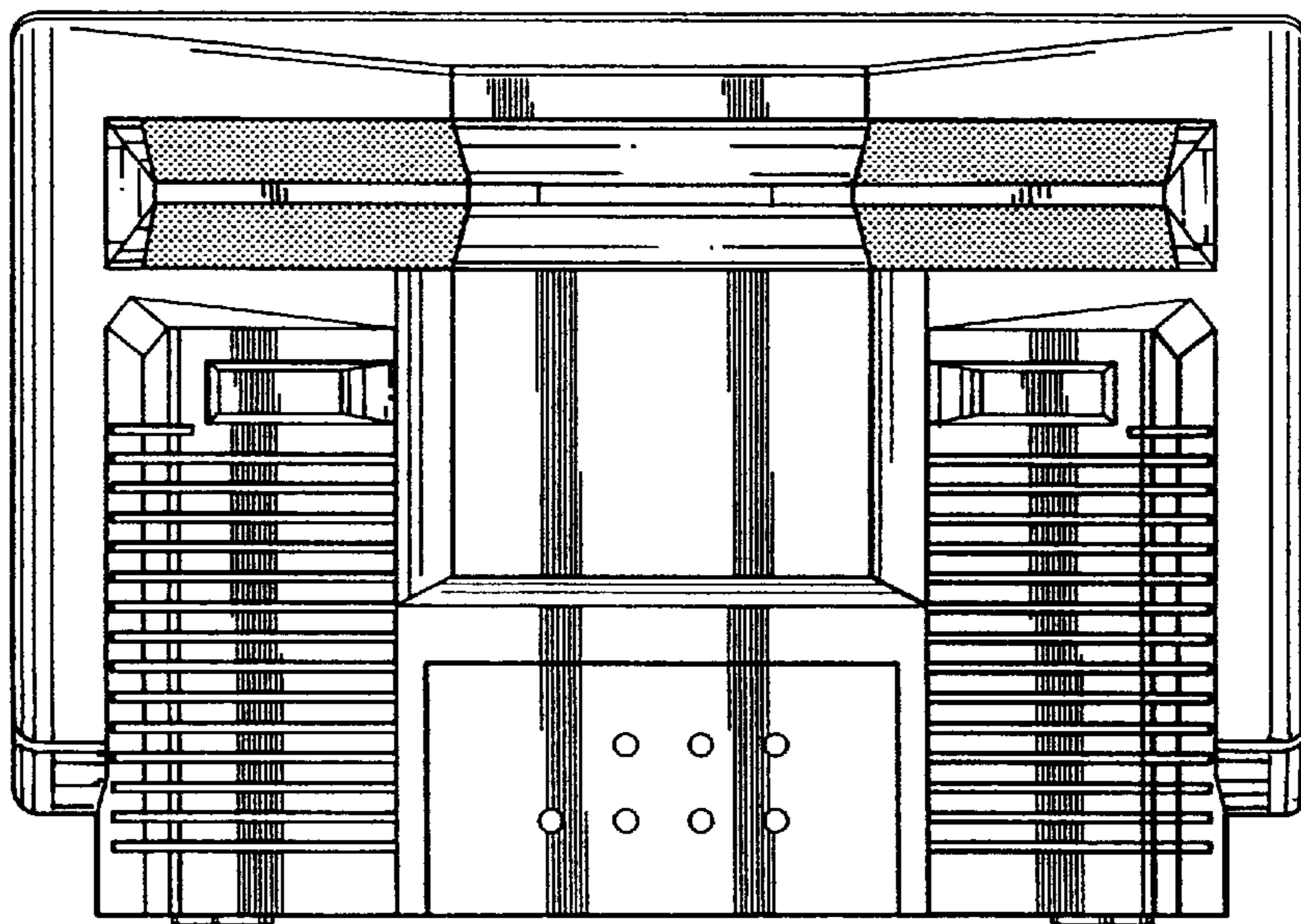


FIG. 7

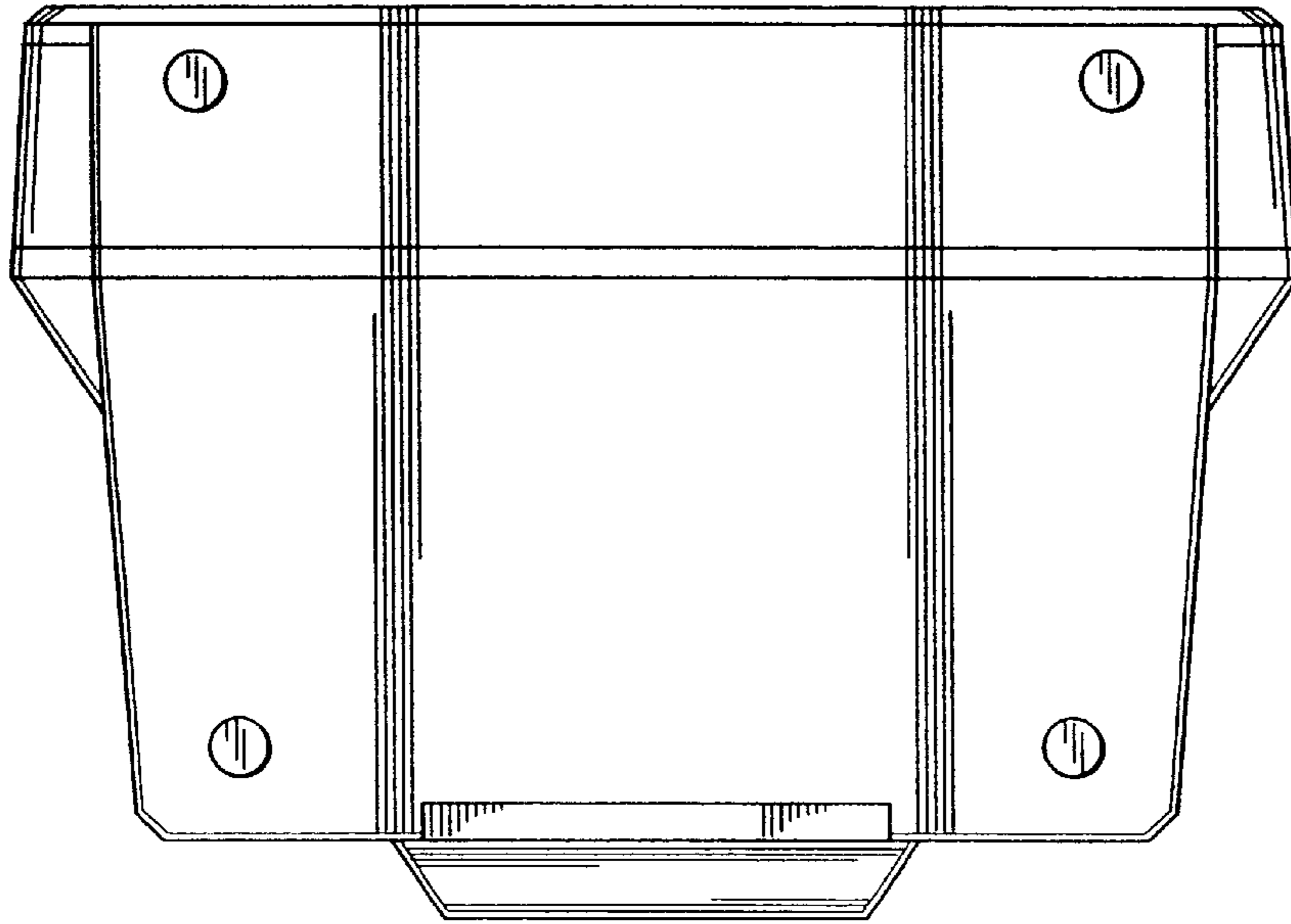


FIG. 8

