



US00D438179S

(12) **United States Design Patent**
Wang-Tsai

(10) **Patent No.:** **US D438,179 S**

(45) **Date of Patent:** **** Feb. 27, 2001**

(54) **WIRELESS AUDIO/VIDEO TRANSMITTER AND RECEIVER**

(76) **Inventor:** **Chi Wang-Tsai**, No. 262, Sec. 1, Nan-Kuo Rd., Chang-Hua City (TW)

(**) **Term:** **14 Years**

(21) **Appl. No.:** **29/105,495**

(22) **Filed:** **May 25, 1999**

(51) **LOC (7) Cl.** **14-02**

(52) **U.S. Cl.** **D14/124**

(58) **Field of Search** D14/124, 125, D14/126, 137, 188, 204, 217, 299, 239, 158; 273/148 B; 463/1, 46, 47, 30, 35; 345/327, 328, 326, 333, 112; 348/14, 15, 24, 21, 838, 739; 370/464; 386/83, 99

(56) **References Cited**

U.S. PATENT DOCUMENTS

- D. 305,230 * 12/1989 Math D14/124
- D. 305,426 * 1/1990 Doi D14/124
- D. 358,408 * 5/1995 McGarry D14/124
- D. 370,481 * 6/1996 Brooks D14/124
- D. 394,255 * 5/1998 Napoleone D14/124
- D. 407,122 * 3/1999 Tsai D21/330
- 4,422,105 * 12/1983 Rodesch et al. 345/328 X

- 4,635,110 * 1/1987 Weinblatt 348/837
- 5,214,514 * 5/1993 Haberkern 348/838 X
- 5,237,648 * 8/1993 Mills et al. 345/328 X
- 5,441,414 * 8/1995 Chretien 348/838 X
- 5,517,257 * 5/1996 Dunn et al. 345/327 X
- 5,703,624 * 12/1997 Van Kruistum 345/169

* cited by examiner

Primary Examiner—Prabhakar Deshmukh
(74) *Attorney, Agent, or Firm*—Skjerven, Morrill, MacPherson, Franklin, and Friel, LLP

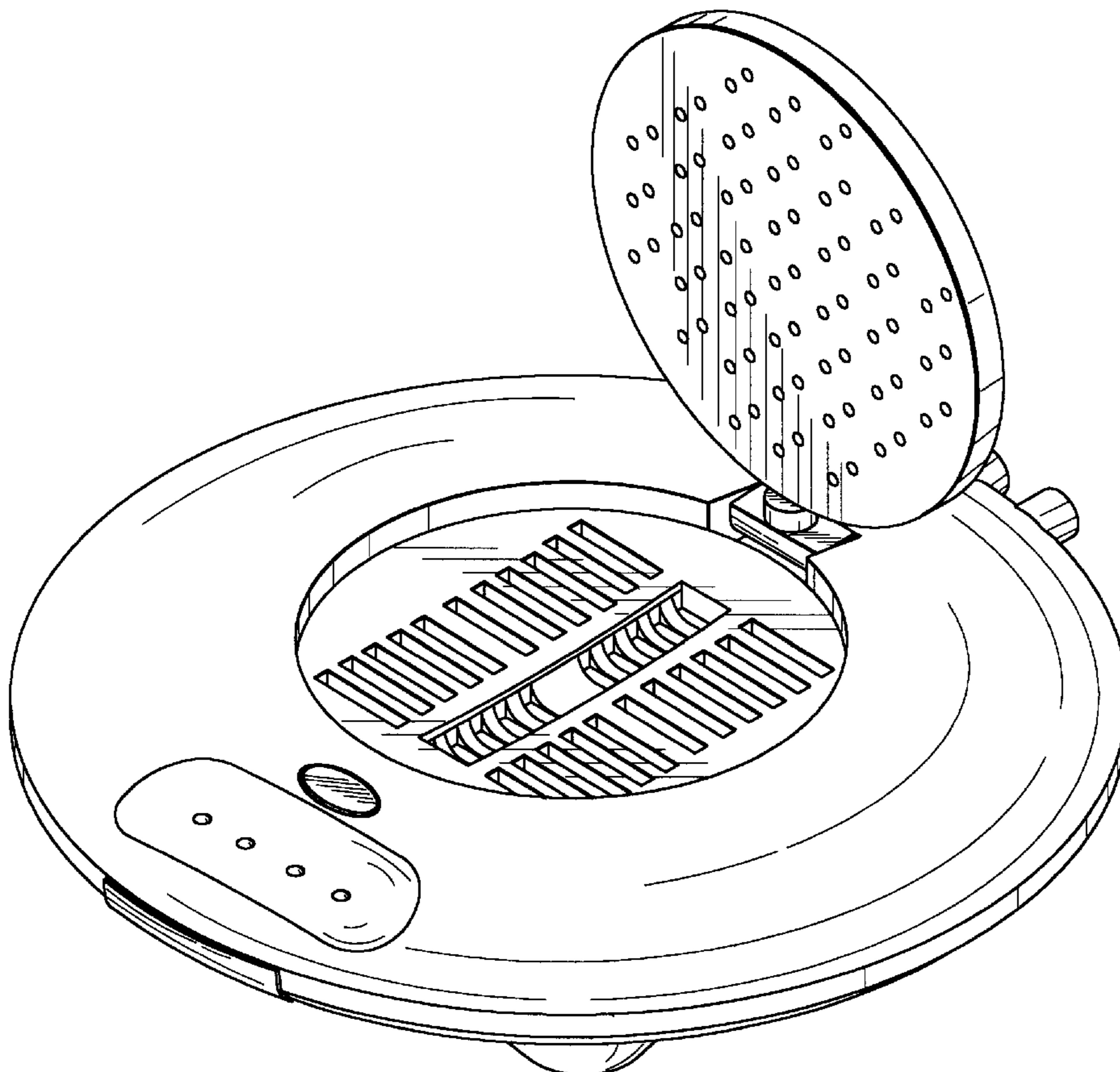
(57) **CLAIM**

The ornamental design for wireless audio/video transmitter and receiver, as shown and described.

DESCRIPTION

FIG. 1 is a perspective view of wireless audio/video transmitter and receiver showing my new design; FIG. 2 is a front elevational view thereof; FIG. 3 is a rear elevational view thereof; FIG. 4 is a left side elevational view thereof; FIG. 5 is a right side elevational view thereof; FIG. 6 is a top plan view thereof; FIG. 7 is a bottom plan view thereof; and, FIG. 8 is a perspective view when in use.

1 Claim, 5 Drawing Sheets



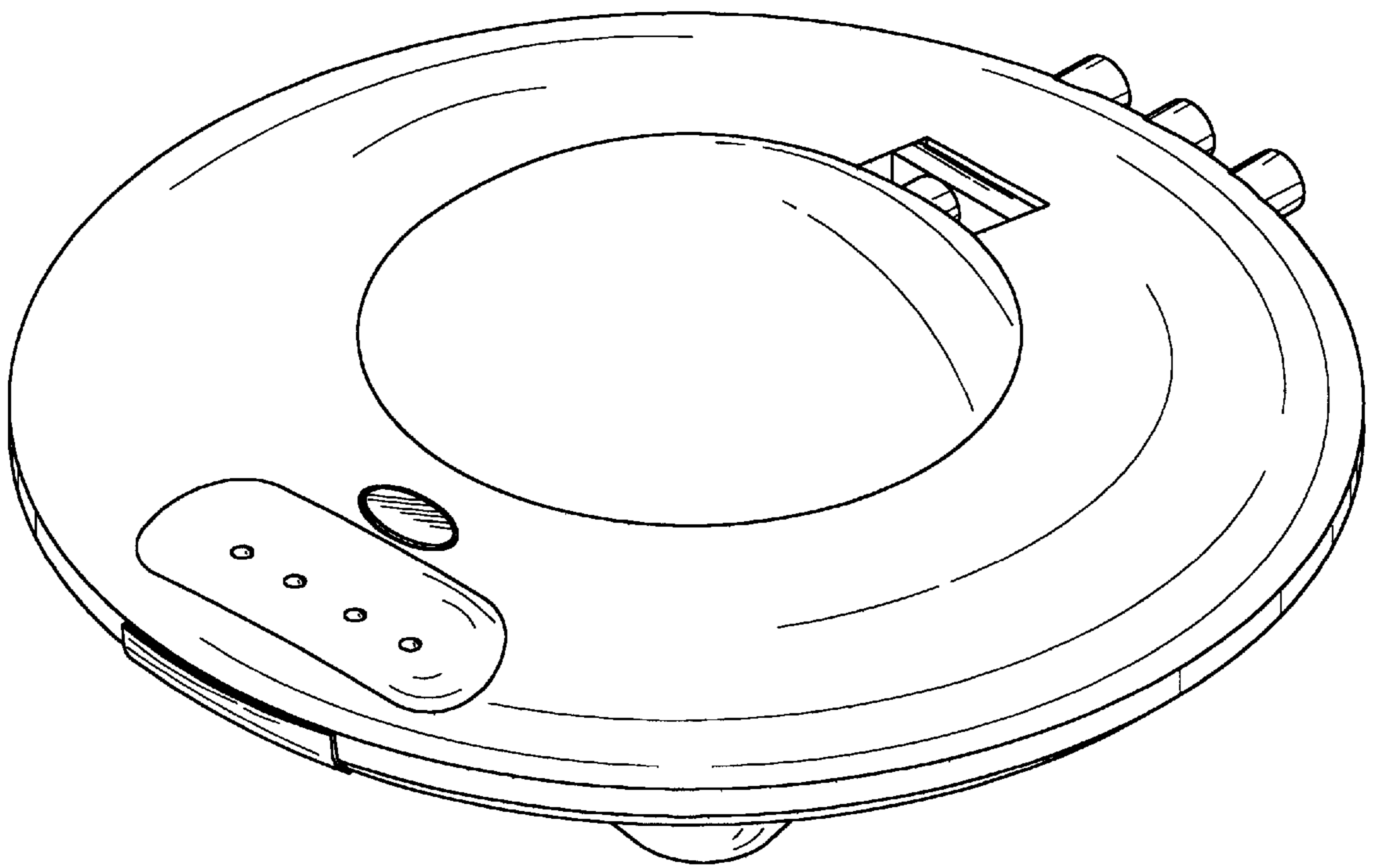


FIG. 1

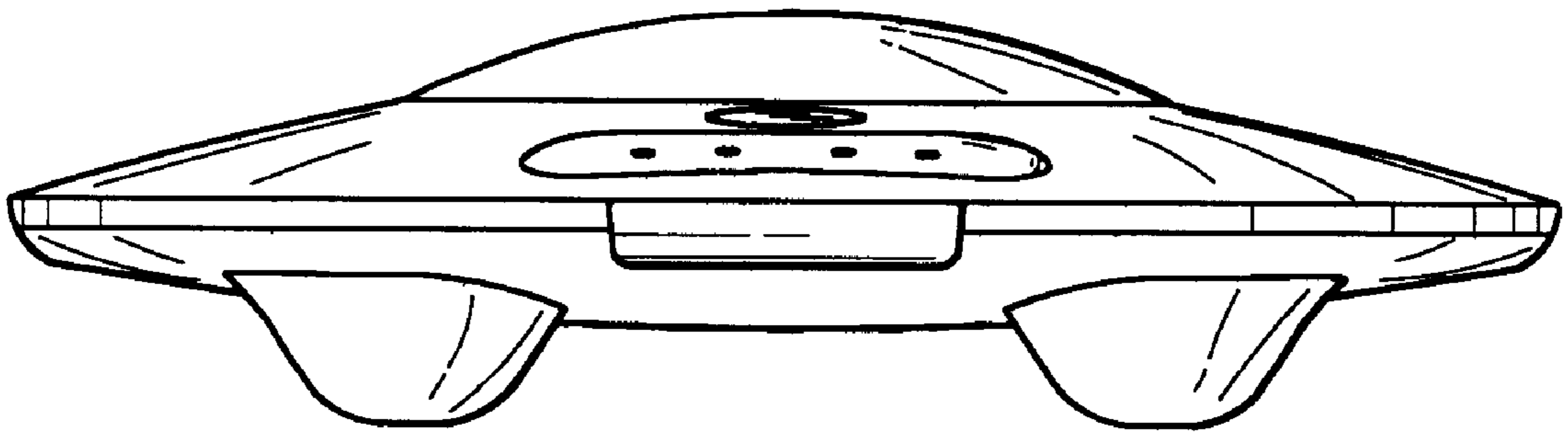


FIG. 2

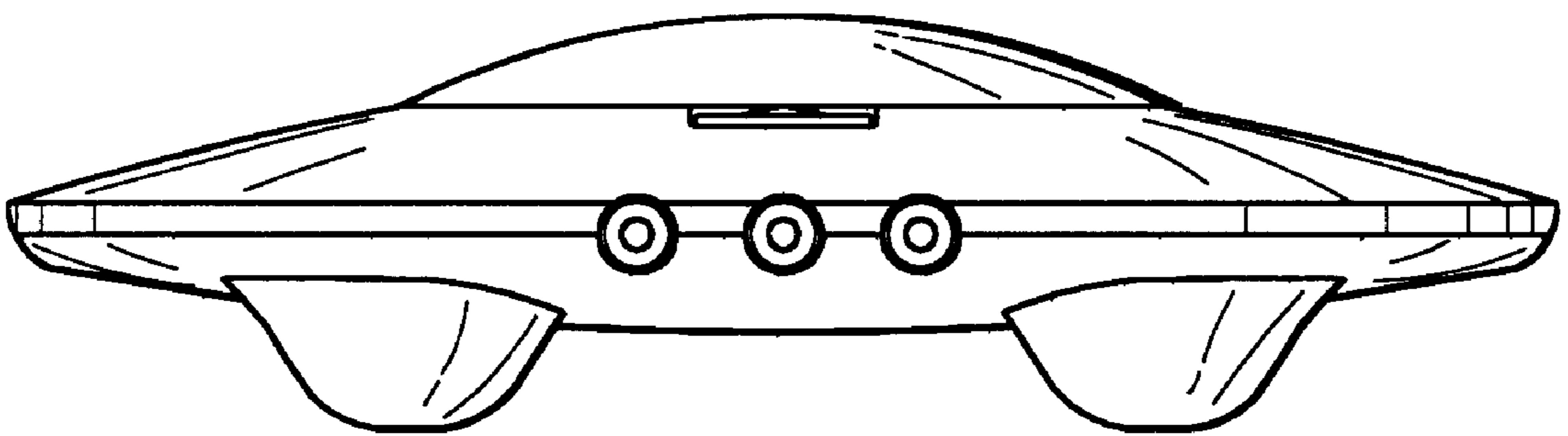


FIG. 3

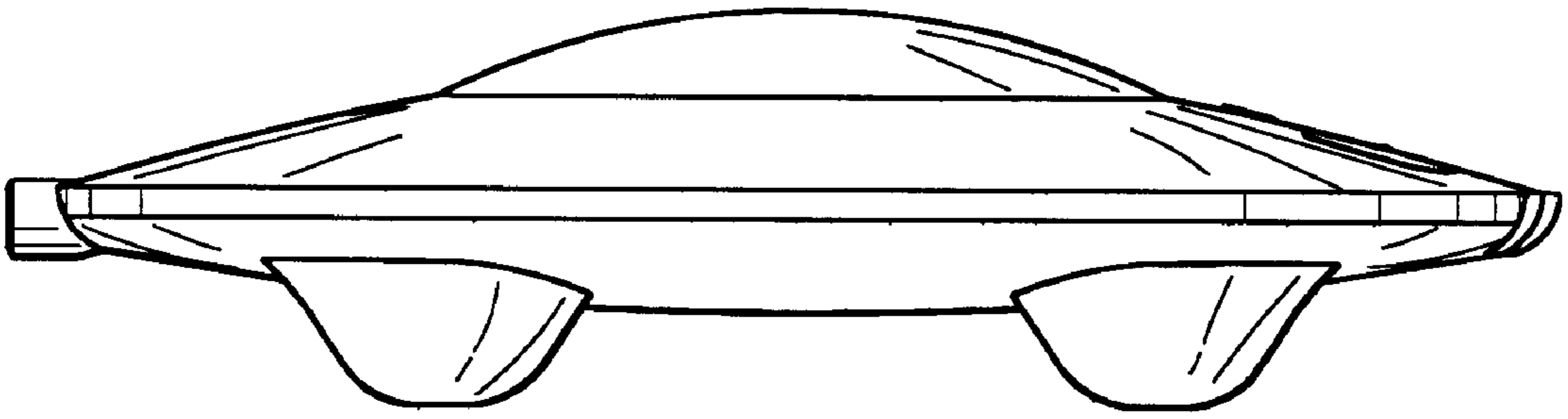


FIG. 4

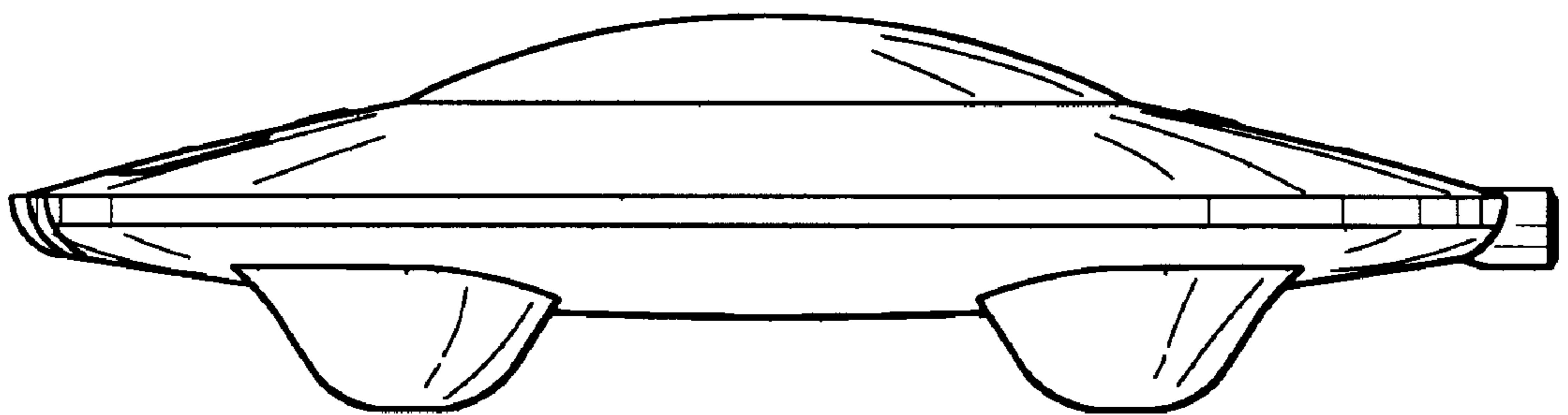


FIG. 5

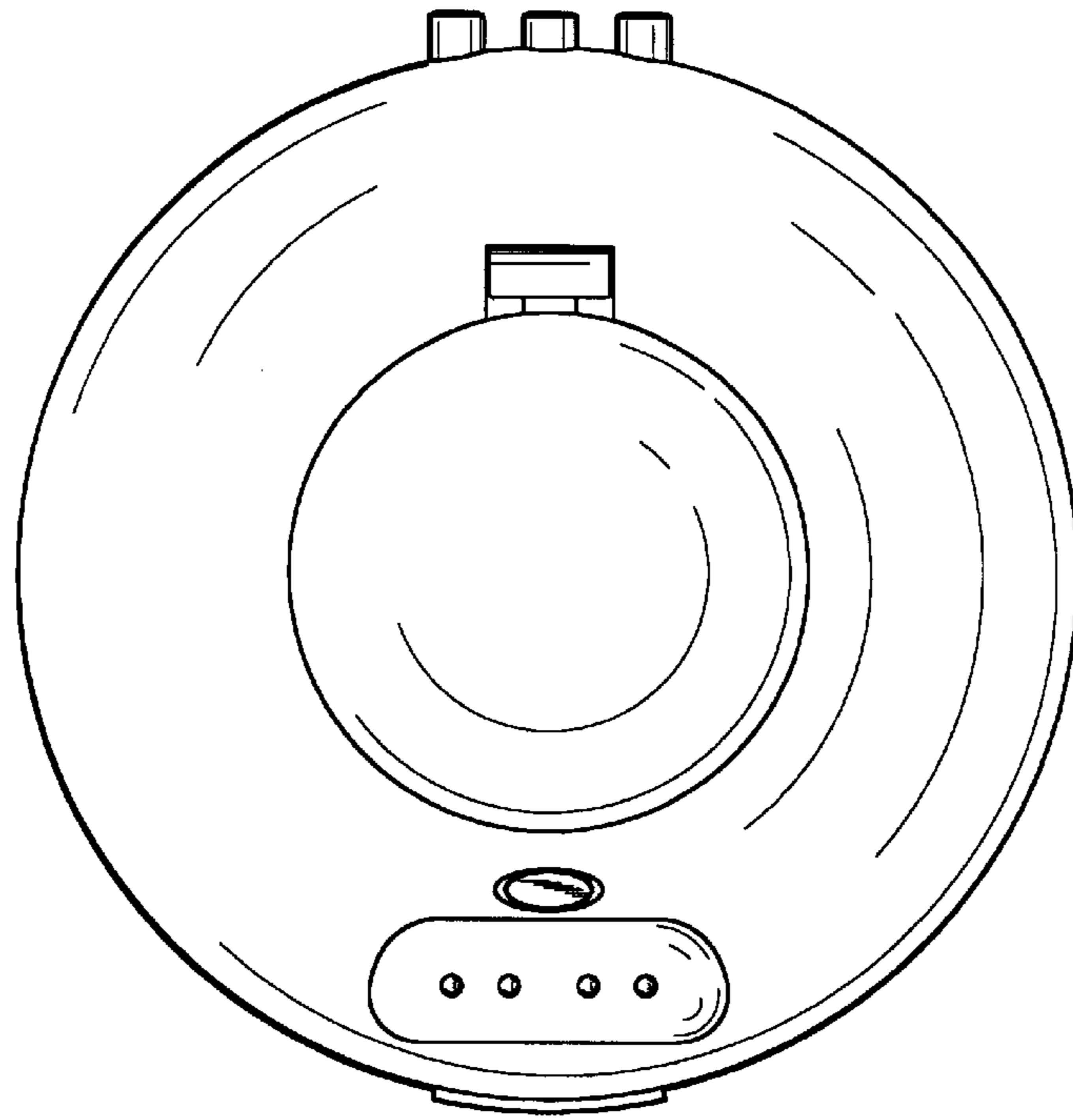


FIG. 6

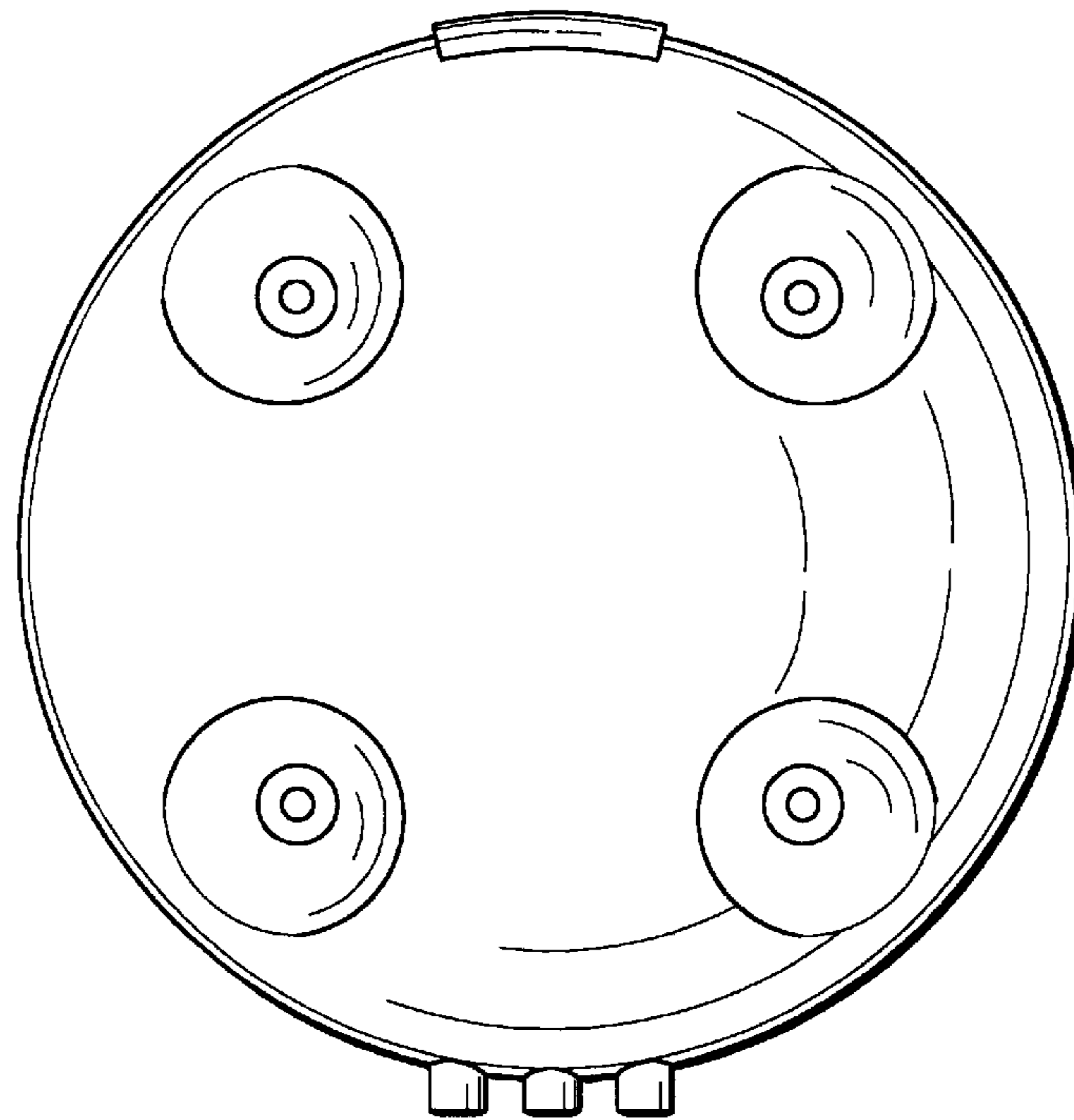


FIG. 7

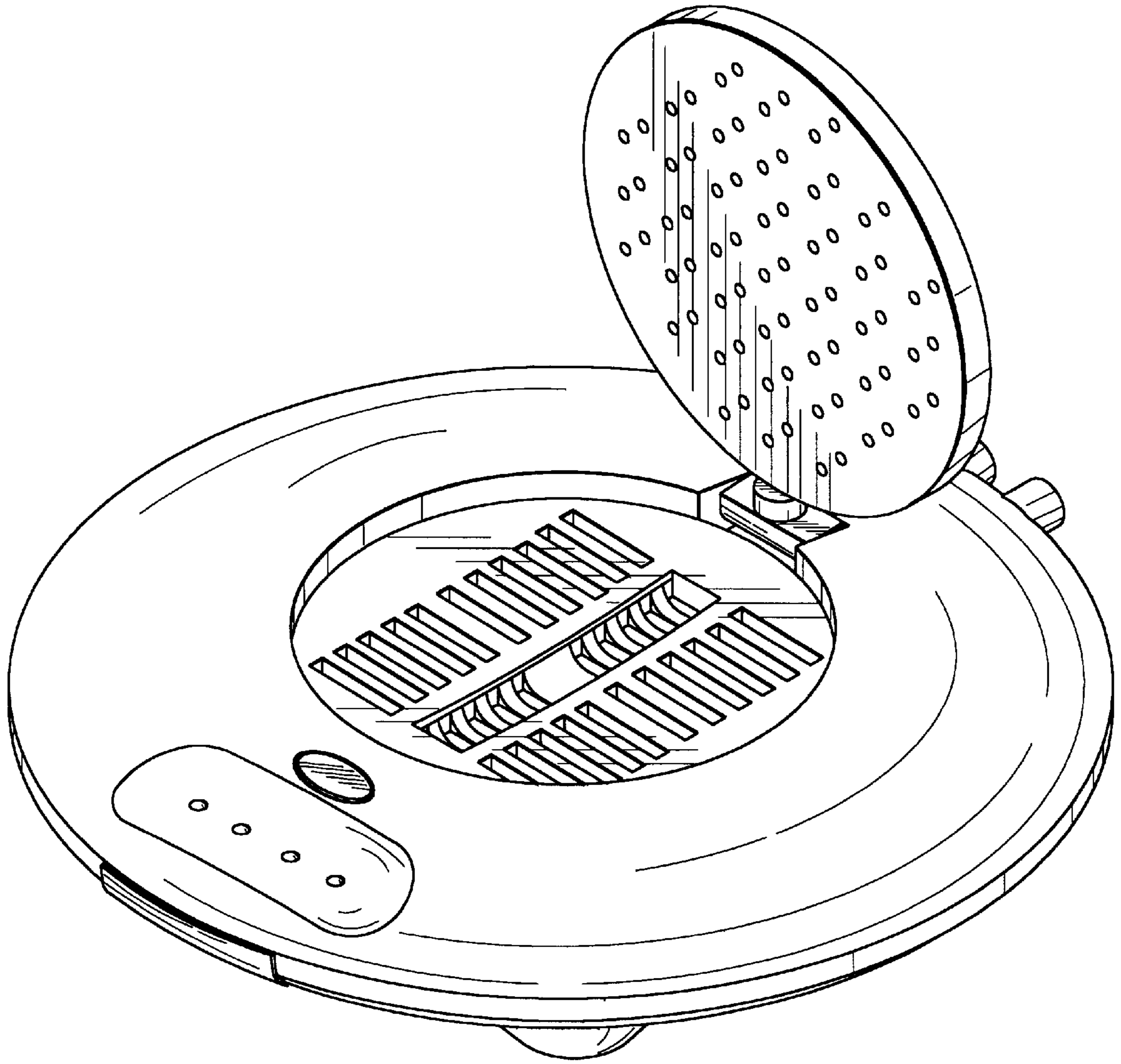


FIG. 8