



US00D438178S

(12) **United States Design Patent**  
**Hames**

(10) **Patent No.:** **US D438,178 S**

(45) **Date of Patent:** **\*\* Feb. 27, 2001**

(54) **VIDEO GAME CONTROLLER**

(75) **Inventor:** **Edward L. Hames**, Peterborough, NH (US)

(73) **Assignee:** **Nuby Holdings Corporation**, Peterborough, NH (US)

(\*\*) **Term:** **14 Years**

(21) **Appl. No.:** **29/102,155**

(22) **Filed:** **Mar. 18, 1999**

(51) **LOC (7) Cl.** ..... **21-01**

(52) **U.S. Cl.** ..... **D14/117.9**

(58) **Field of Search** ..... D14/117.1, 117.9, D14/117.5, 117.6, 117.7, 124; D21/324, 329, 333; 273/148 B; 463/1, 29-38, 46, 47; 345/156, 157, 161, 168, 169, 905

(56) **References Cited**

**U.S. PATENT DOCUMENTS**

D. 363,320	*	10/1995	Barthelemy et al.	.....	D14/117.9
D. 384,112	*	9/1997	Riley et al.	.....	D14/117.9
D. 391,998	*	3/1998	Jwo	.....	D14/117.9
D. 410,643	*	6/1999	Tonono	.....	D14/117.9
5,394,168	*	2/1995	Nakanishi	.....	345/156
5,759,100	*	6/1998	Nakanishi	.....	273/148 B
5,874,906	*	2/1999	Willner et al.	.....	463/38 X
5,903,257	*	5/1999	Nishiumi et al.	.....	463/38 X

**OTHER PUBLICATIONS**

Thrustmaster Pahazer Pad, Sep. 1996.\*  
Hongkong Enterprise, p. 269, Oct. 1992.\*

\* cited by examiner

*Primary Examiner*—Prabhakar Deshmukh  
(74) *Attorney, Agent, or Firm*—Cohen, Pontani, Lieberman & Pavane

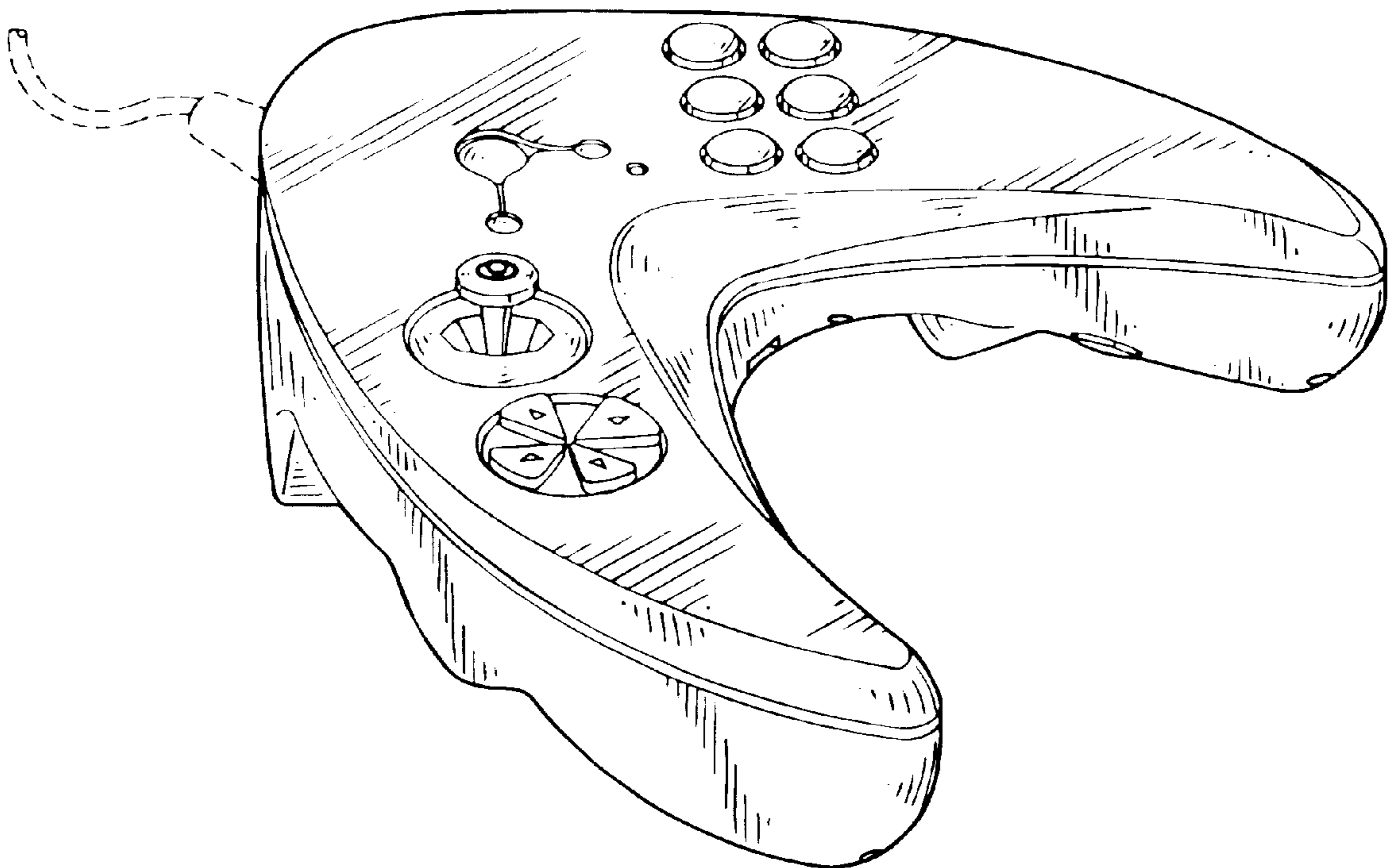
(57) **CLAIM**

I claim the ornamental design for a video game controller, as shown and described.

**DESCRIPTION**

FIG. 1 is a perspective view from above and behind of my new ornamental design for a video game controller;  
FIG. 2 is a top plan view of my video game controller of FIG. 1;  
FIG. 3 is a bottom plan view of my video game controller of FIG. 1;  
FIG. 4 is a left side elevational view of my video game controller of FIG. 1;  
FIG. 5 is a right side elevational view of my video game controller of FIG. 1;  
FIG. 6 is a rear elevational view of my video game controller of FIG. 1; and,  
FIG. 7 is a front elevational view of my video game controller of FIG. 1.

**1 Claim, 3 Drawing Sheets**



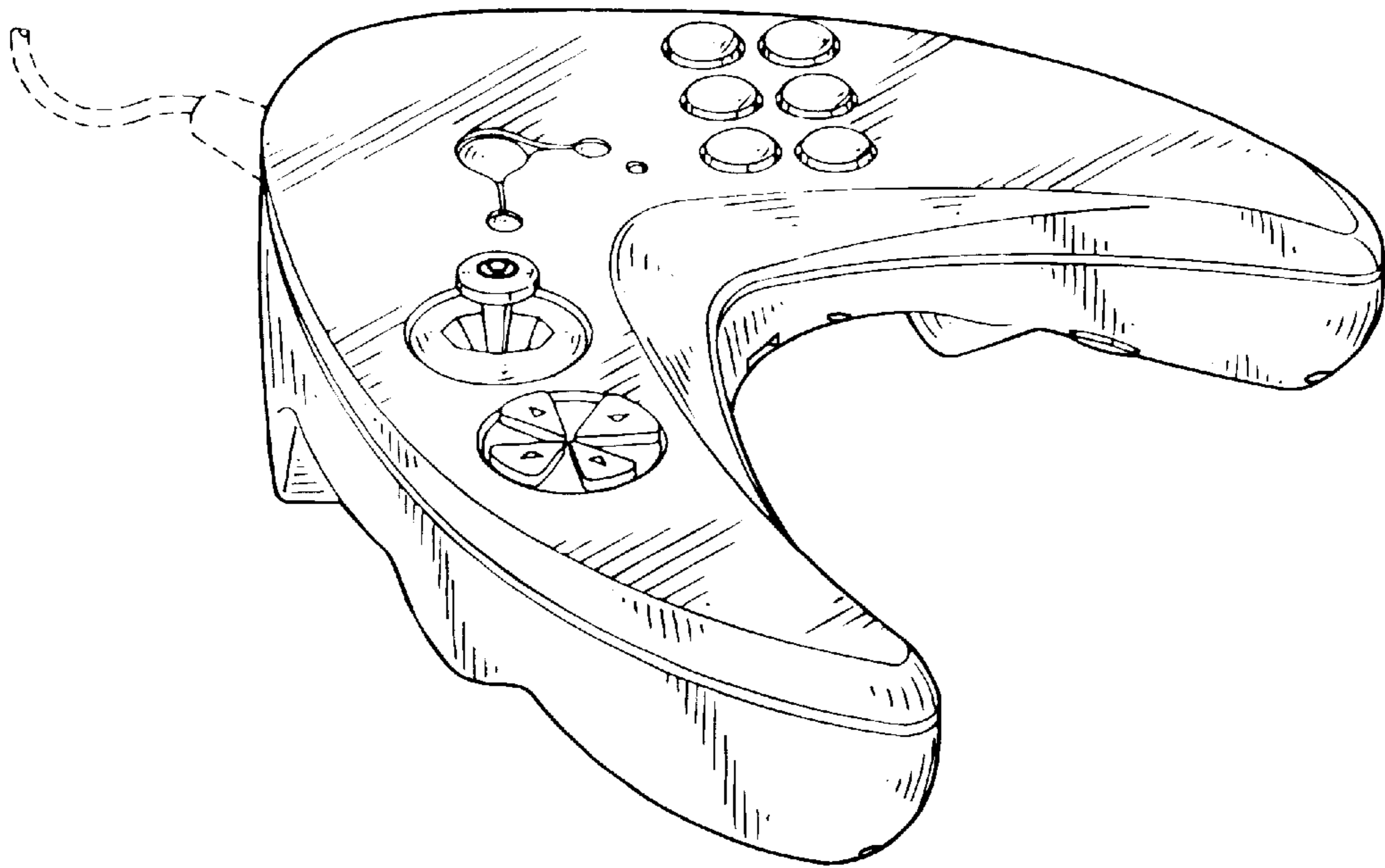


FIG. 1

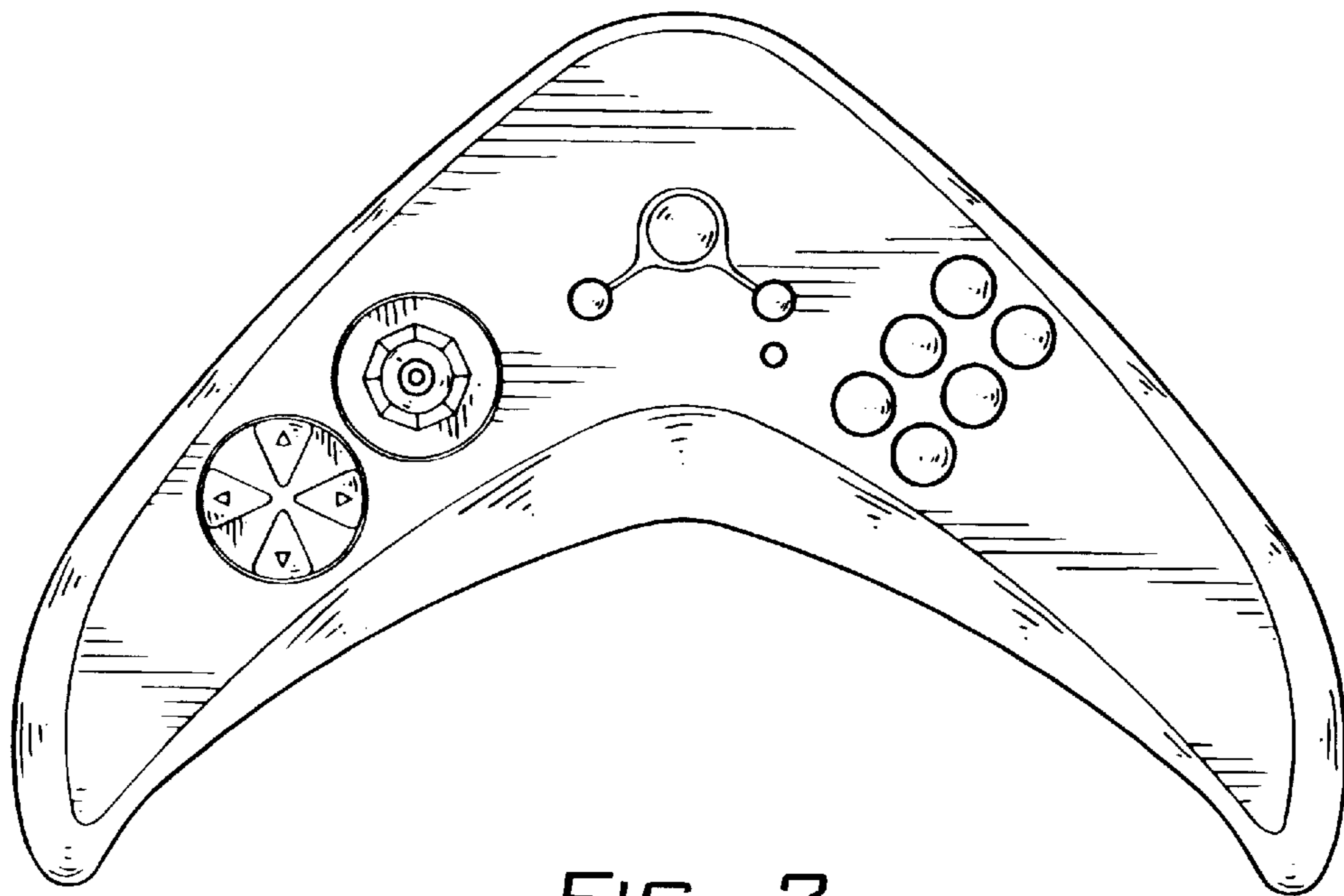


FIG. 2

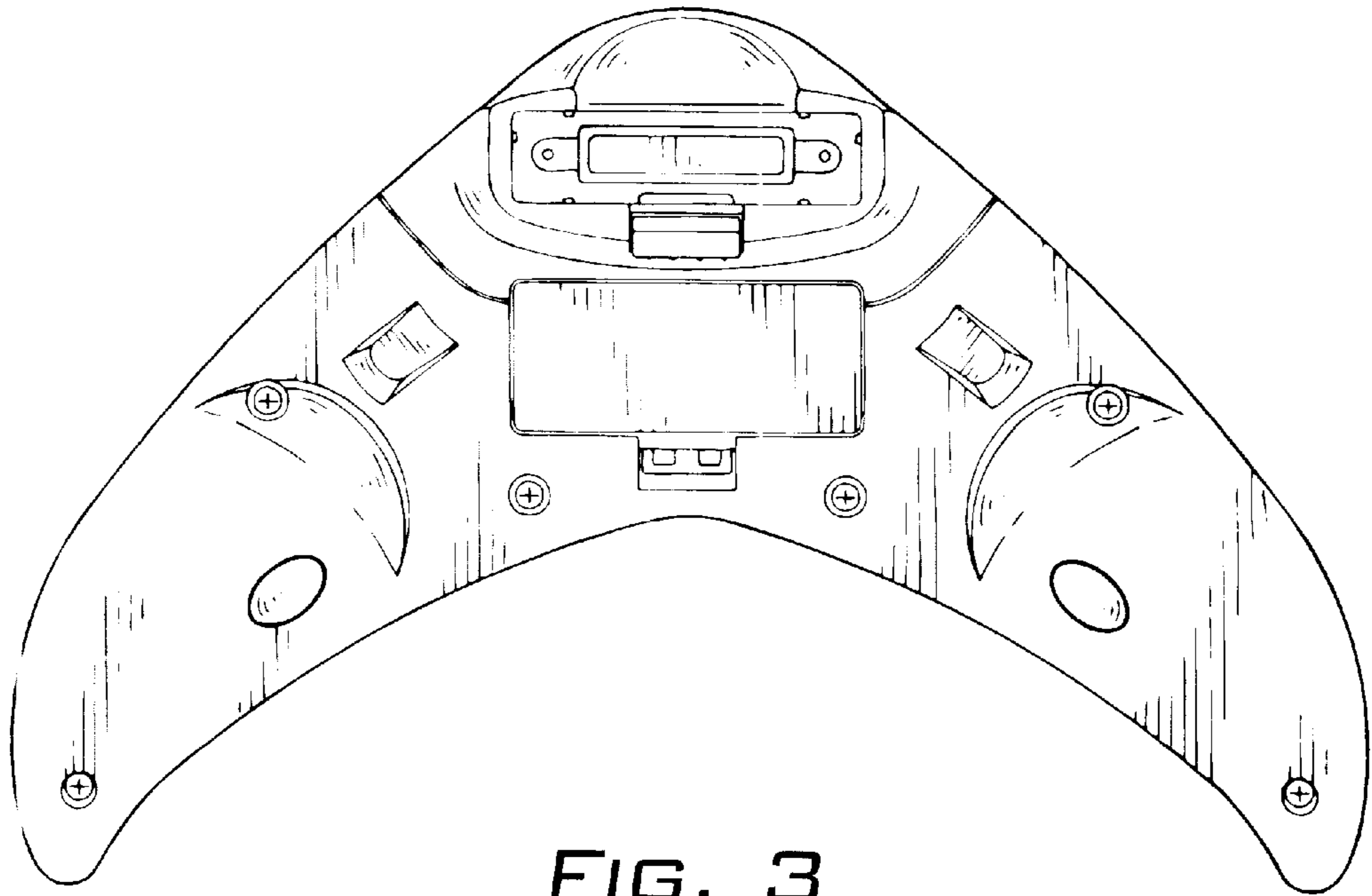


FIG. 3

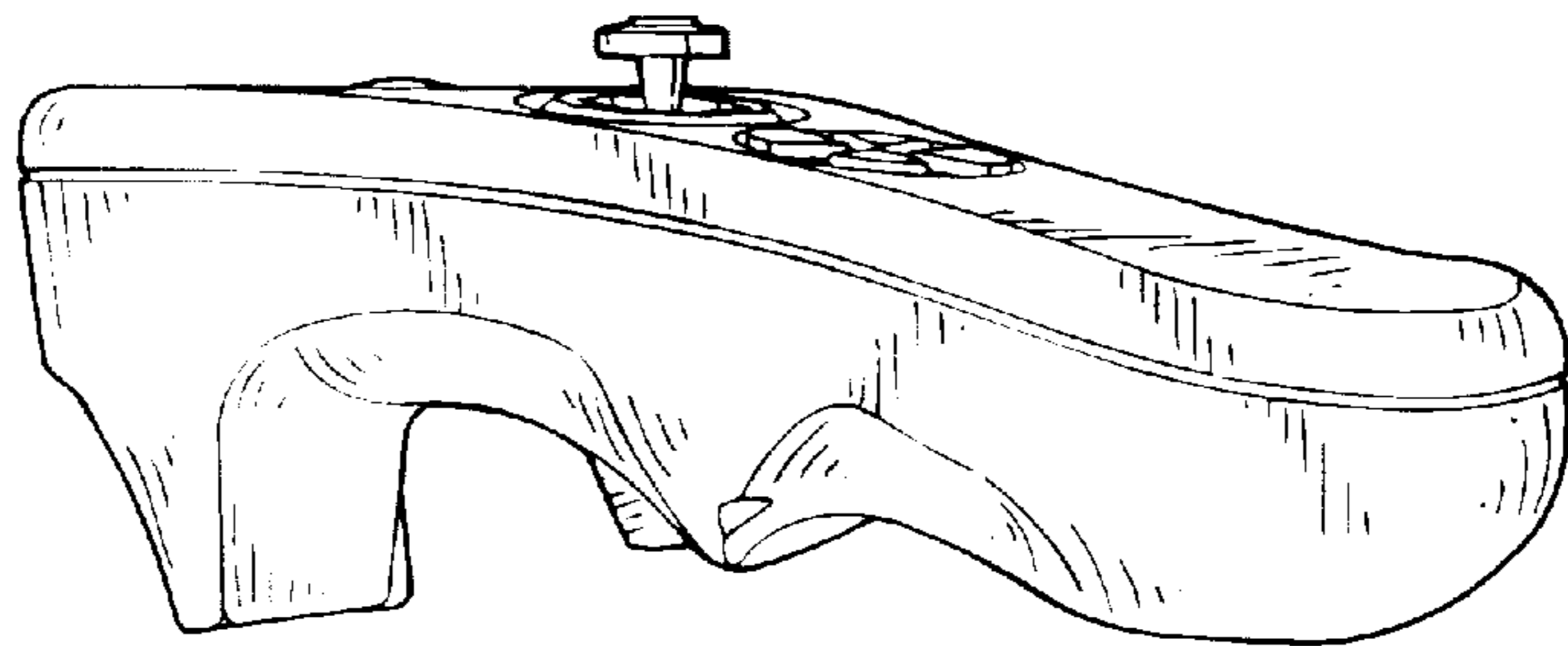


FIG. 4

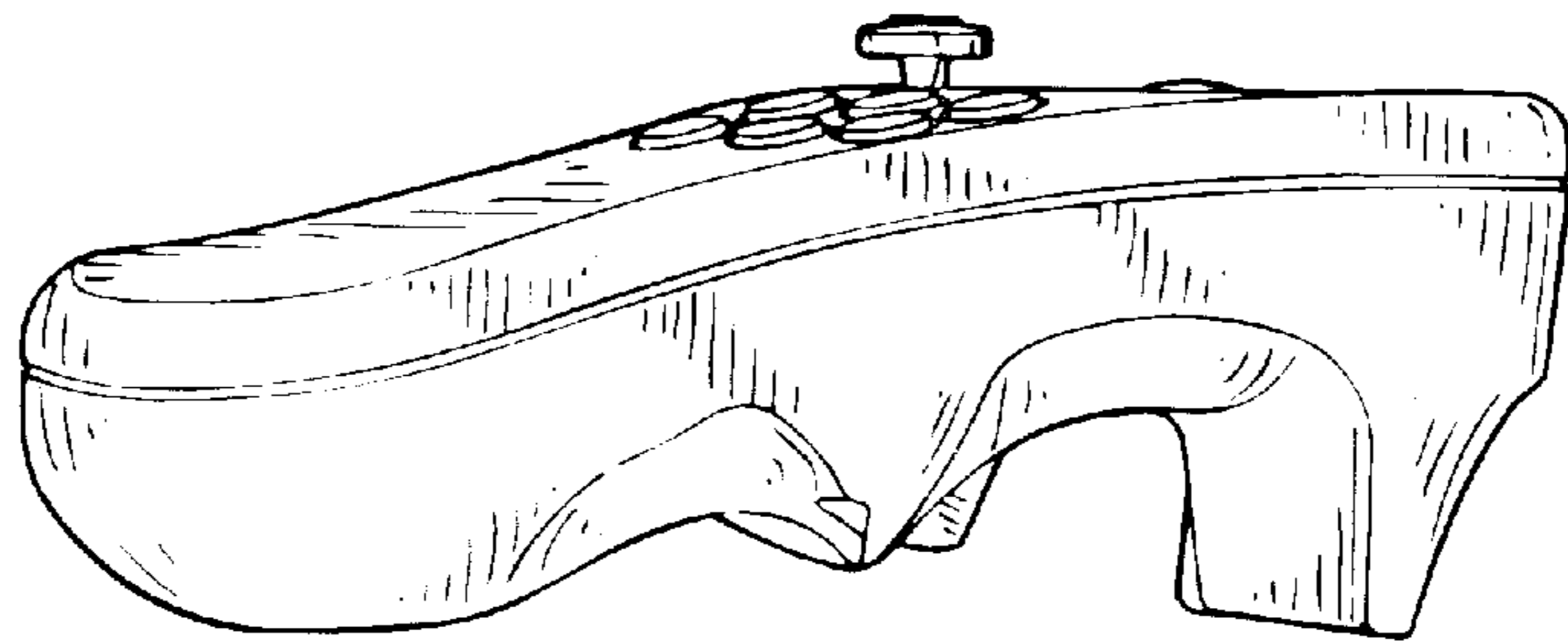


FIG. 5

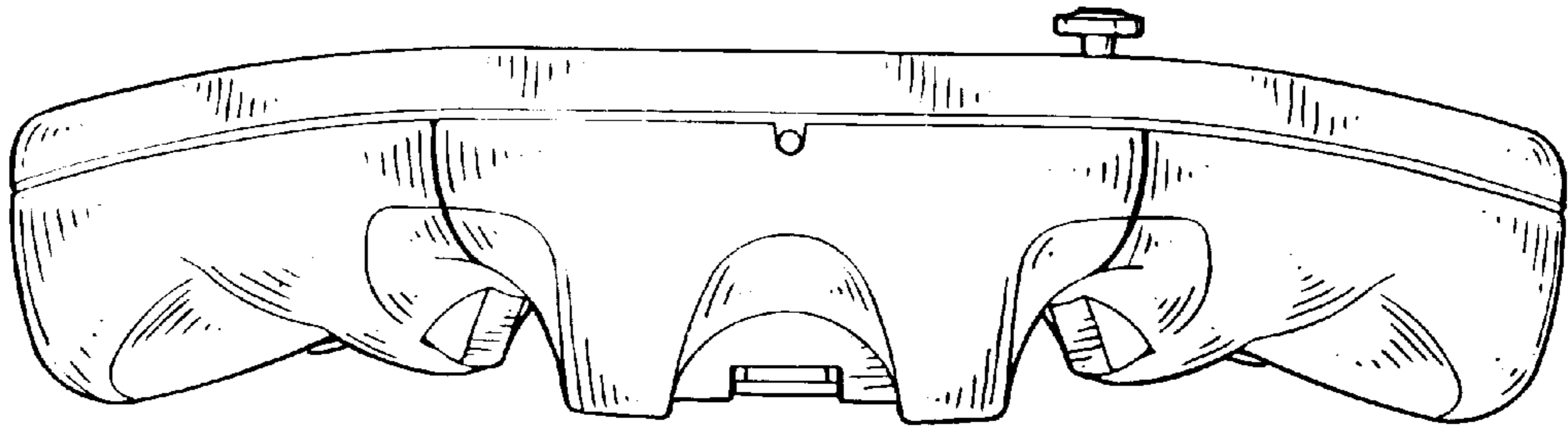


FIG. 6

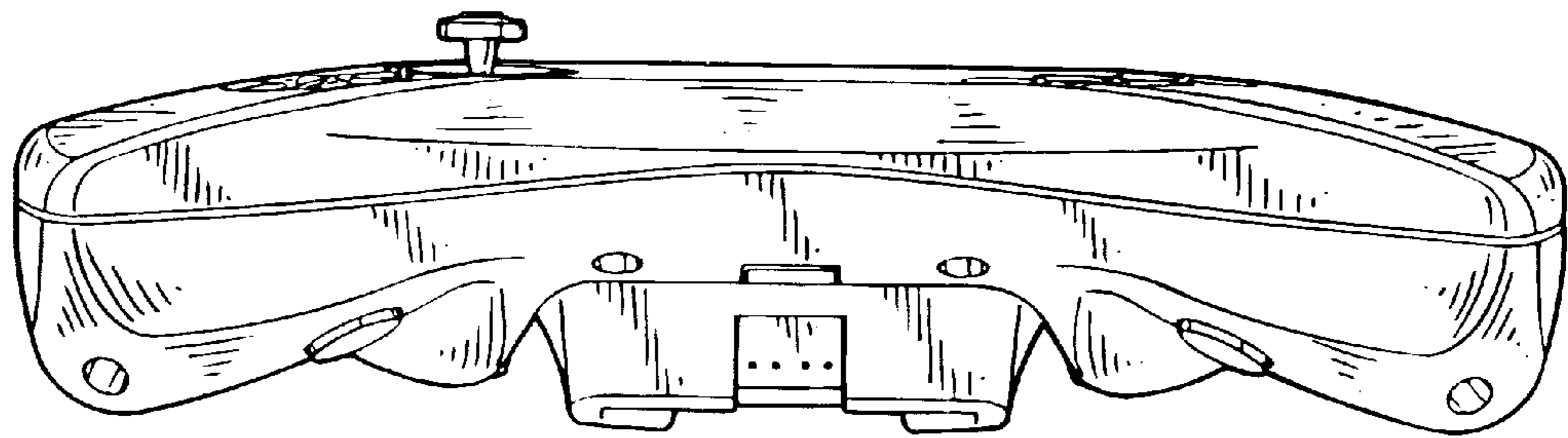


FIG. 7