



US00D438173S

(12) **United States Design Patent**  
**Liang**

(10) **Patent No.:** **US D438,173 S**

(45) **Date of Patent:** **\*\* Feb. 27, 2001**

(54) **BATTERY TERMINAL CONNECTOR**

(76) Inventor: **Shih-Tsung Liang**, No. 10, Lane 31,  
Ta-Feng St., Neitsou Tsun, Lu-Chu  
Hsiang, Taoyuan County (TW)

(\*\*) Term: **14 Years**

(21) Appl. No.: **29/127,839**

(22) Filed: **Aug. 15, 2000**

(51) **LOC (7) Cl.** ..... **13-03**

(52) **U.S. Cl.** ..... **D13/120**

(58) **Field of Search** ..... D13/120; 439/761,  
439/763

(56) **References Cited**

**U.S. PATENT DOCUMENTS**

D. 176,458	*	12/1955	Goodnight et al. ....	D13/120
D. 399,487	*	10/1998	Awbrey et al. ....	D13/120
D. 409,977	*	5/1999	Liang .....	D13/120
564,679	*	7/1896	Wurts .....	439/763 X
1,564,802	*	12/1925	Walker .....	439/763

4,740,178	*	4/1988	Badenhorst et al. ....	439/758
5,599,210	*	2/1997	Green .....	439/763
5,738,552	*	4/1998	Halbach et al. ....	439/762
5,877,609	*	3/1999	Carter .....	320/103

\* cited by examiner

*Primary Examiner*—Joel Sincavage

(74) *Attorney, Agent, or Firm*—Rosenberg, Klein & Lee

(57) **CLAIM**

The ornamental design for a battery terminal connector, as shown and described.

**DESCRIPTION**

FIG. 1 is a perspective view of a battery terminal connector showing my new design;

FIG. 2 is a top plain view thereof;

FIG. 3 is a bottom plain view thereof;

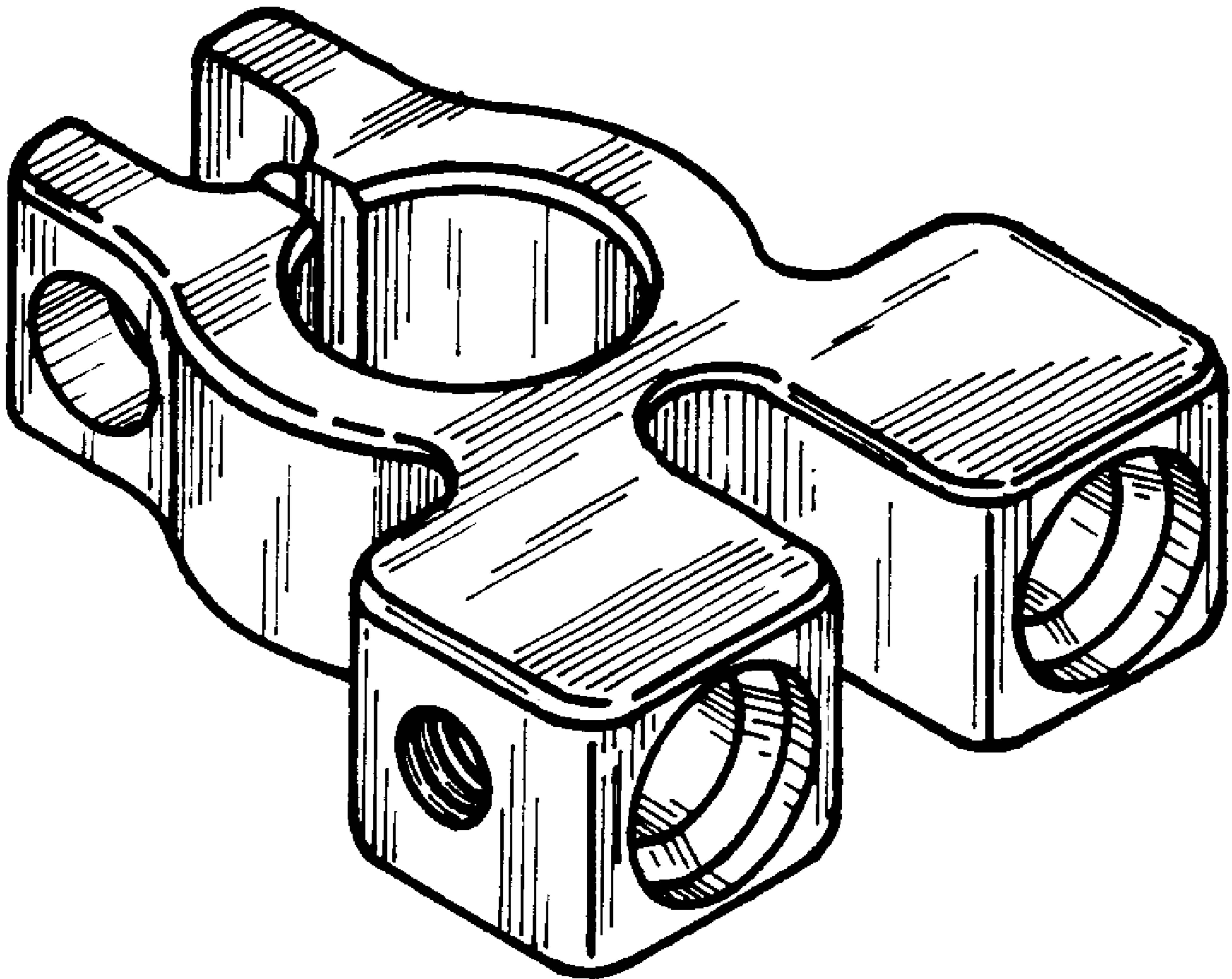
FIG. 4 is a front elevational view thereof;

FIG. 5 is a rear elevational view thereof;

FIG. 6 is a left side elevational view thereof; and,

FIG. 7 is a right side elevational view thereof.

**1 Claim, 3 Drawing Sheets**



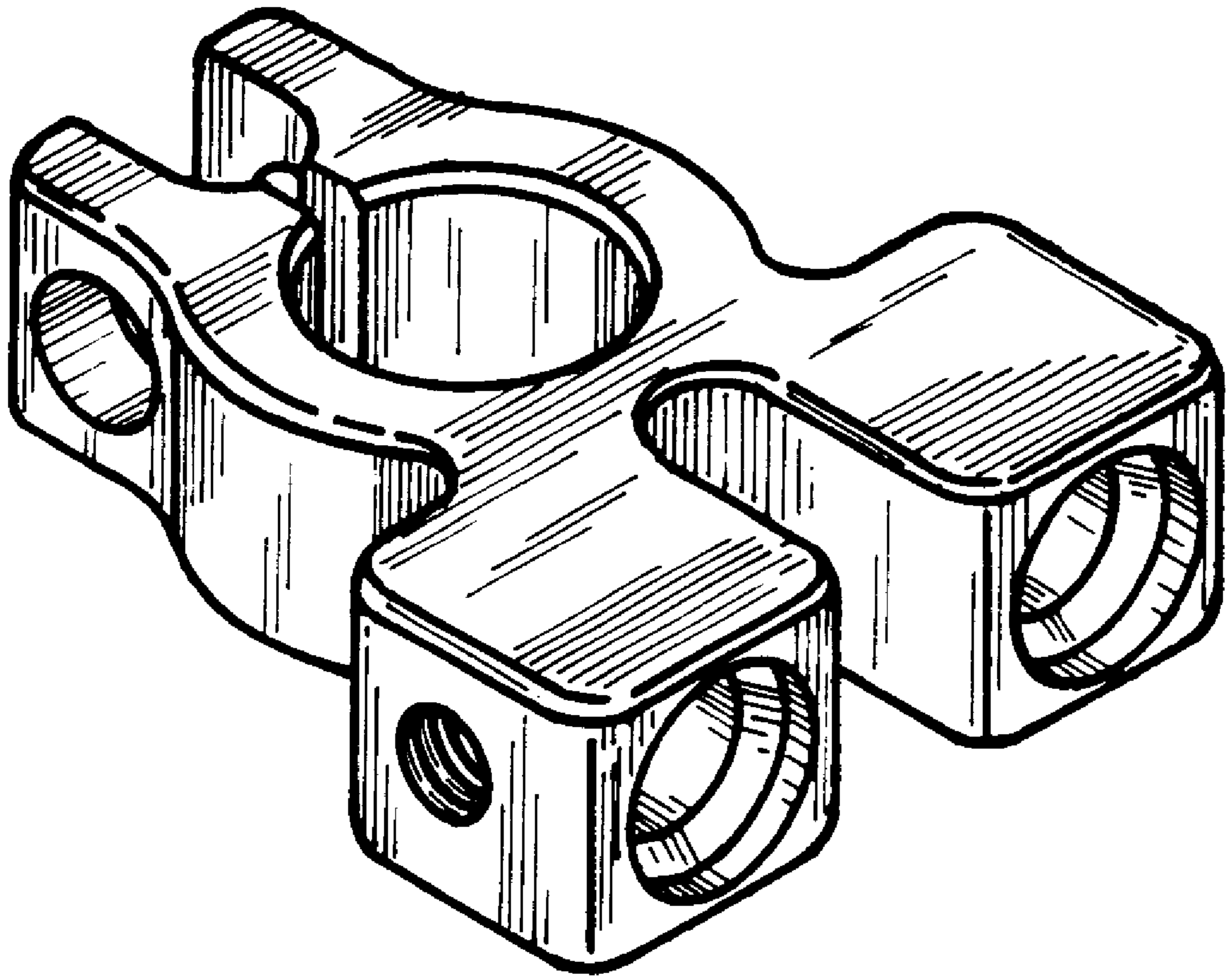


FIG. 1

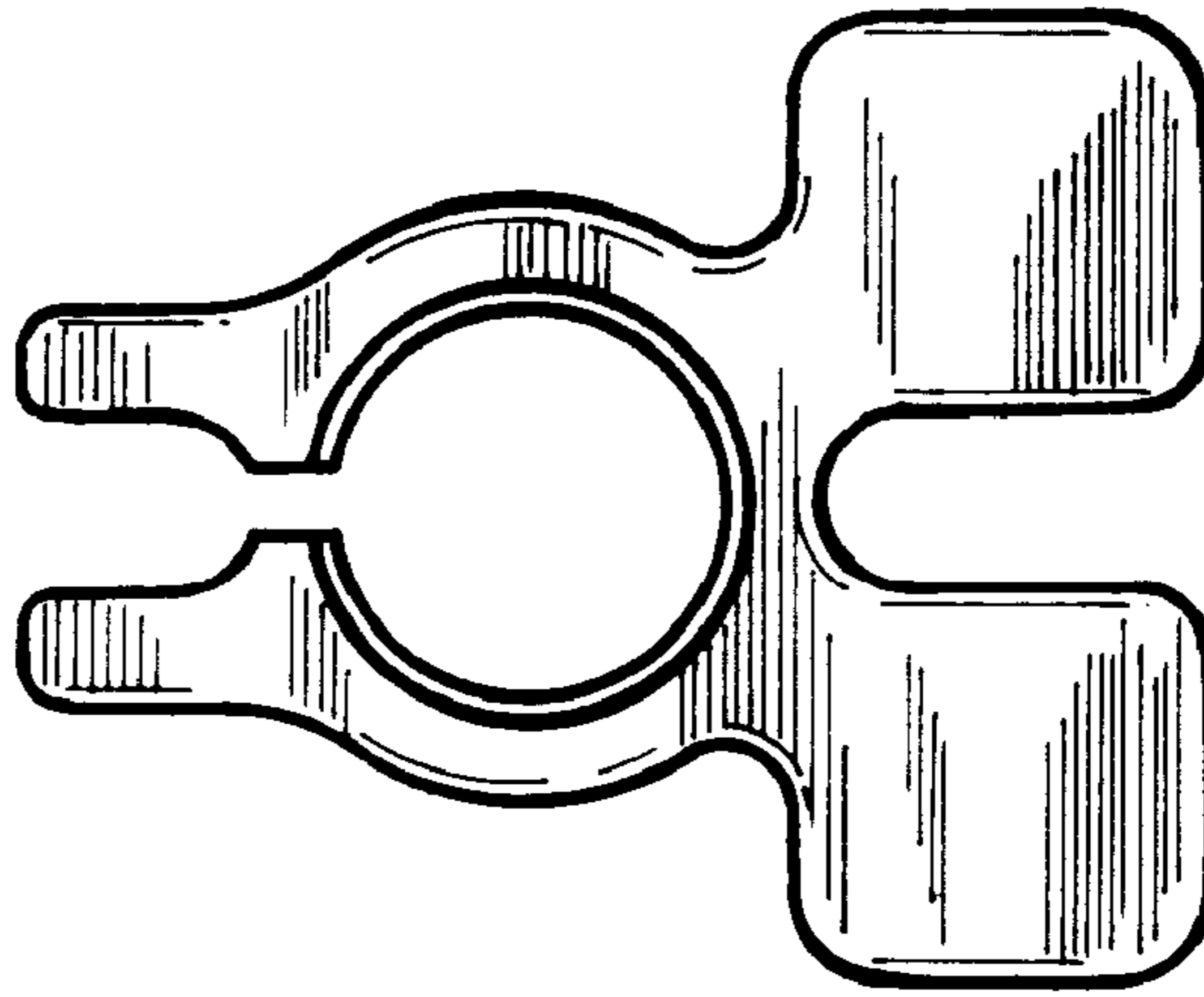


FIG. 2

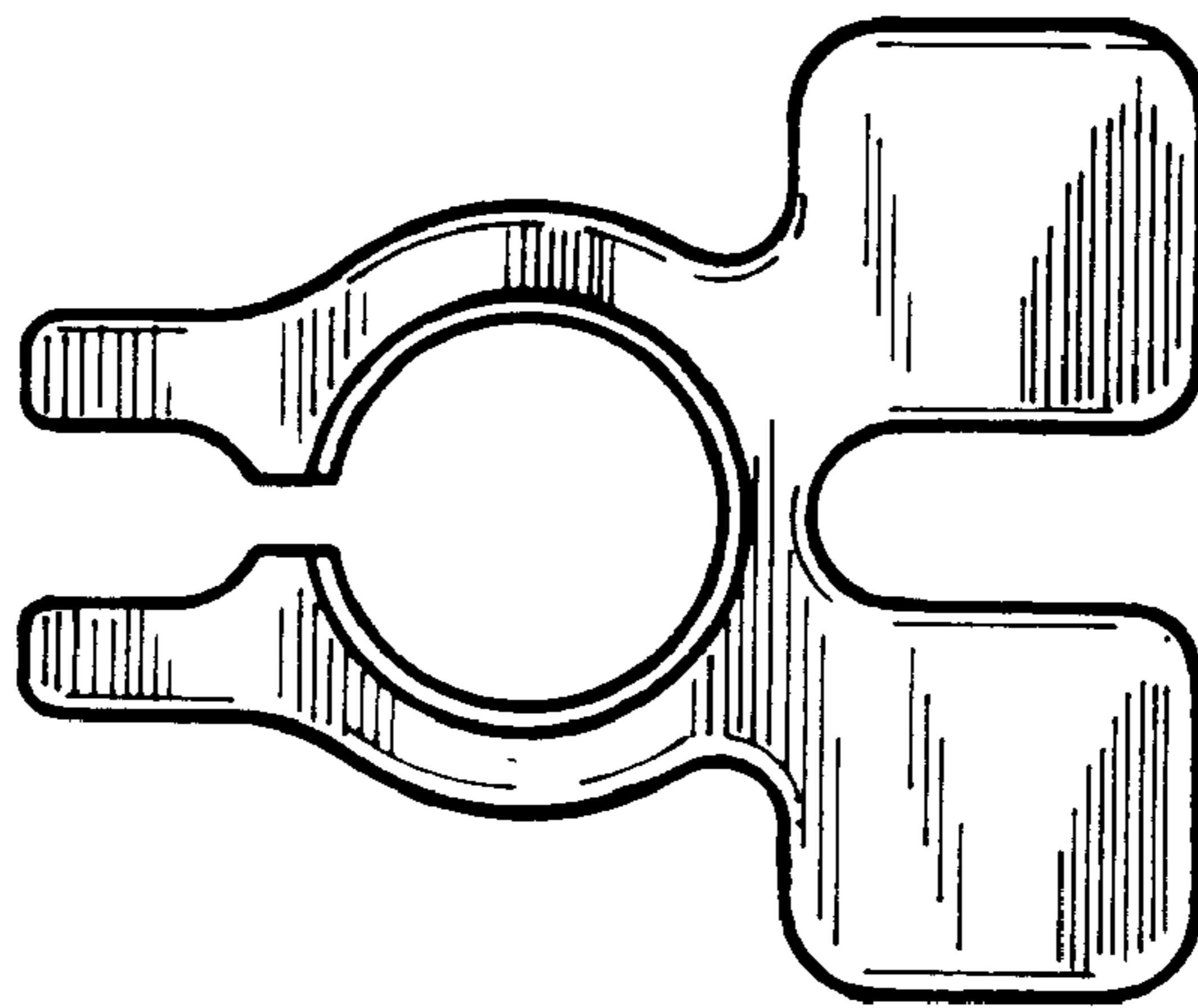


FIG. 3

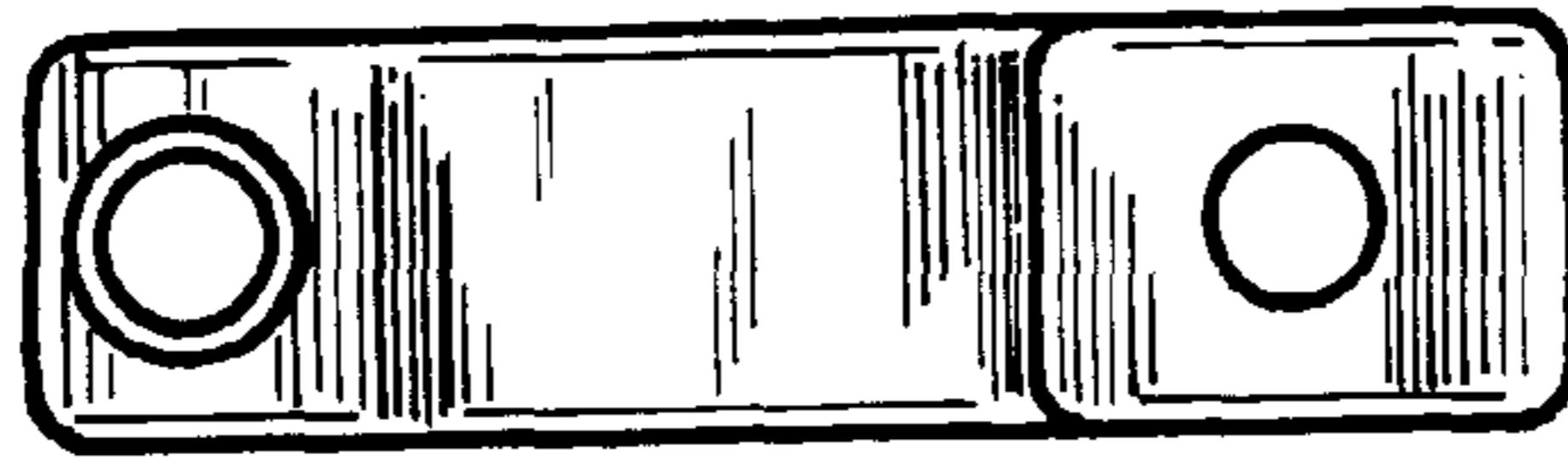


FIG. 4

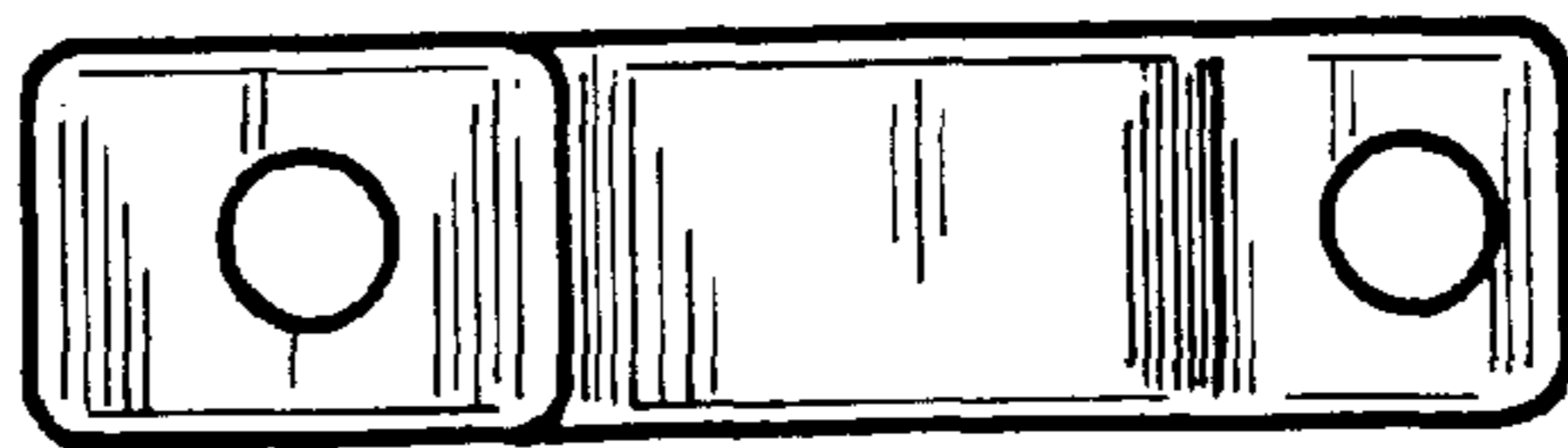


FIG. 5



FIG. 6

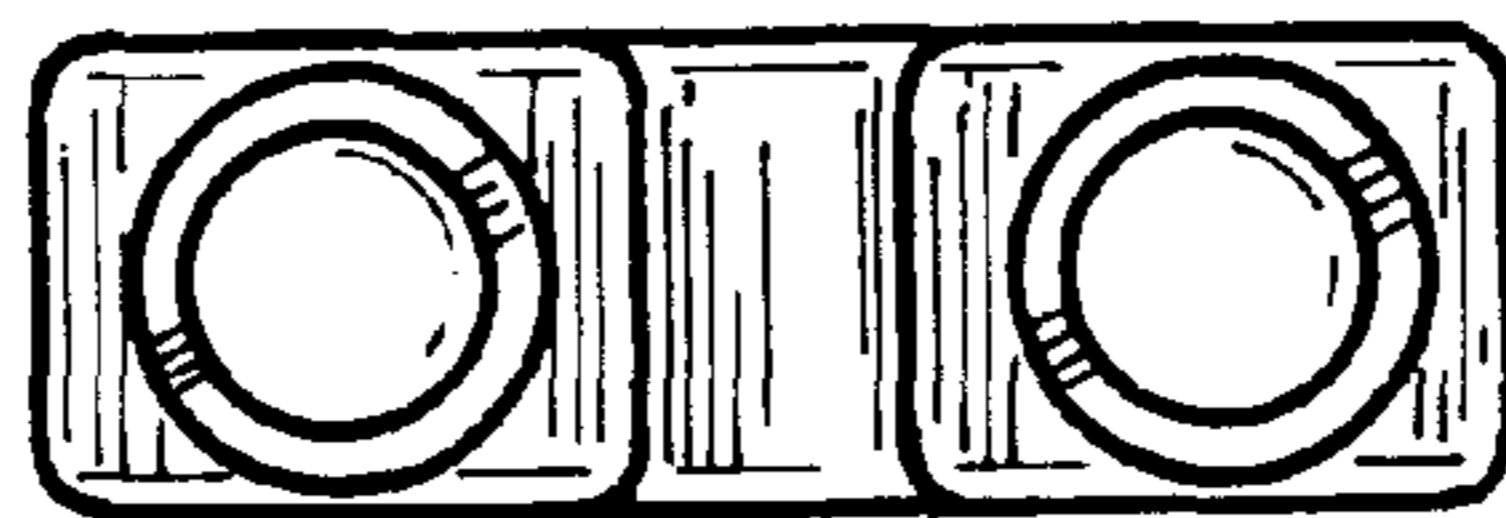


FIG. 7