



US00D438170S

(12) **United States Design Patent**  
**Hofbauer**

(10) **Patent No.:** **US D438,170 S**

(45) **Date of Patent:** **\*\* Feb. 27, 2001**

(54) **BATTERY CHARGER AND BATTERY THEREOF**

(75) **Inventor:** **Rupert Hofbauer, Schwechat (AT)**

(73) **Assignee:** **Otto Bock Orthopaedische Industrie Besitz-und Verwaltungs-Kommanditgesellschaft, Duderstadt (DE)**

(\*\*) **Term:** **14 Years**

(21) **Appl. No.:** **29/121,728**

(22) **Filed:** **Apr. 13, 2000**

(30) **Foreign Application Priority Data**

Oct. 15, 1999 (XH) ..... DM/049625

(51) **LOC (7) Cl.** ..... **13-02**

(52) **U.S. Cl.** ..... **D13/107; D13/103**

(58) **Field of Search** ..... **D13/107, 108, D13/103; 429/96-100, 159, 163, 174; 320/110-115**

(56) **References Cited**

**U.S. PATENT DOCUMENTS**

- D. 356,776 \* 3/1995 Yoshii ..... D13/103
- D. 368,892 \* 4/1996 Tanaka ..... D13/108
- D. 400,494 \* 11/1998 Blase ..... D13/103
- D. 401,552 \* 11/1998 Tanaka et al. .... D13/107
- D. 417,430 \* 12/1999 Ko ..... D13/107
- D. 417,860 \* 12/1999 Lau ..... D13/103
- D. 419,956 \* 2/2000 Lucaci et al. .... D13/108
- D. 425,479 \* 5/2000 Melnicoff ..... D13/103

- D. 426,513 \* 6/2000 Toops et al. .... D13/103
- D. 426,808 \* 6/2000 Hsiao ..... D13/107
- 4,965,148 \* 10/1990 Daio et al. .... 429/159

\* cited by examiner

*Primary Examiner*—Joel Sincavage

(74) *Attorney, Agent, or Firm*—Foley & Lardner

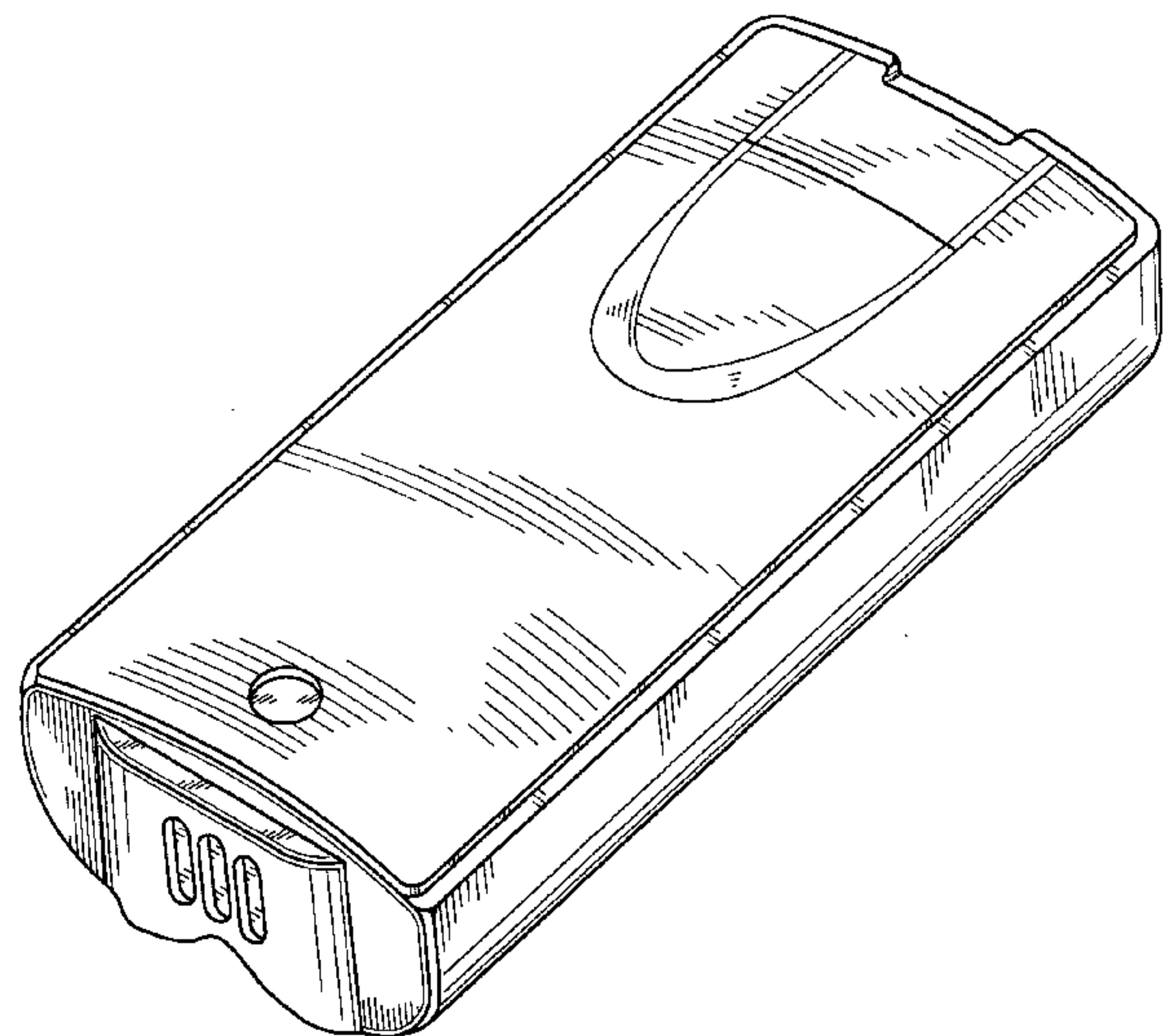
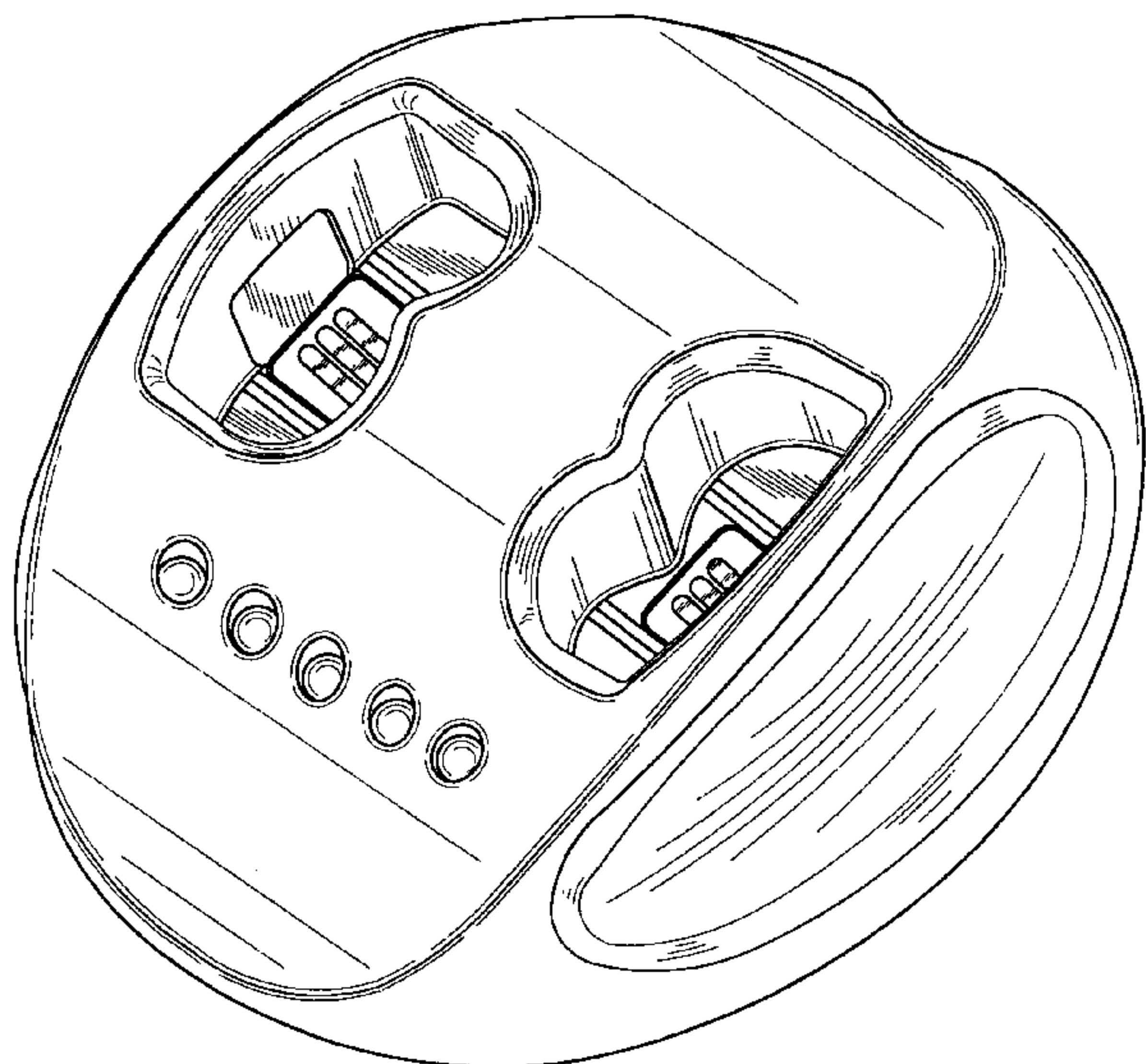
(57) **CLAIM**

The ornamental design for a battery charger and battery thereof, as shown and described.

**DESCRIPTION**

FIG. 1 is a front, top, and right perspective view of a battery charger;  
 FIG. 2 is a top plan view thereof;  
 FIG. 3 is a bottom plan view thereof;  
 FIG. 4 is a front elevation view thereof;  
 FIG. 5 is a rear elevation view thereof;  
 FIG. 6 is a left-side elevation view thereof, the right-side elevation view thereof being a mirror image of FIG. 6;  
 FIG. 7 is a front, top, and right perspective view of a battery for the battery charger of FIG. 1;  
 FIG. 8 is a top plan view thereof;  
 FIG. 9 is a bottom plan view thereof;  
 FIG. 10 is a front elevational view thereof;  
 FIG. 11 is a rear elevation view thereof; and,  
 FIG. 12 is a right-side elevation view thereof, the left-side elevation view thereof being a mirror image of FIG. 12.  
 The claimed design is embodied in the collective appearance of the charger and its battery.

**1 Claim, 6 Drawing Sheets**



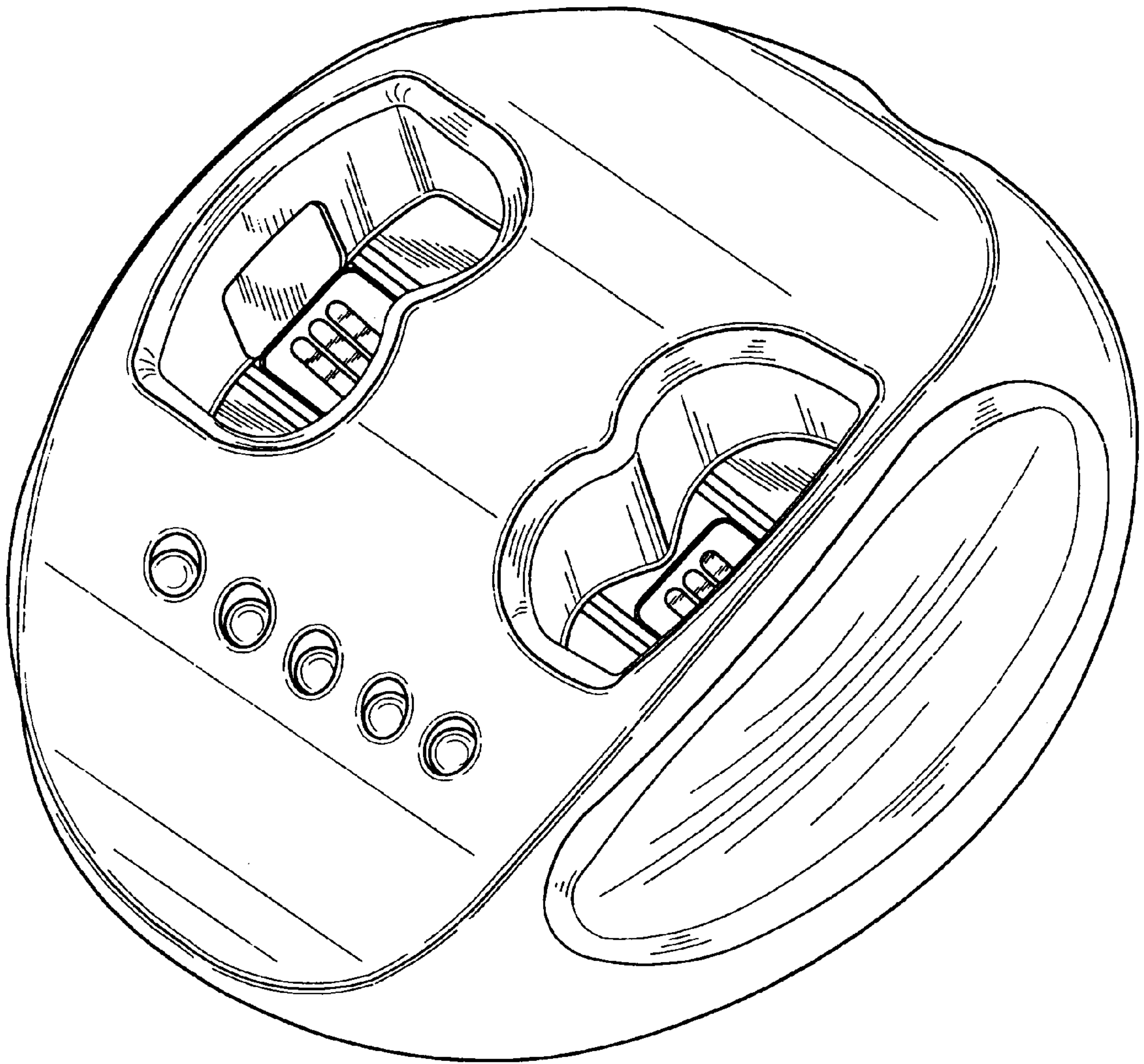


Fig. 1



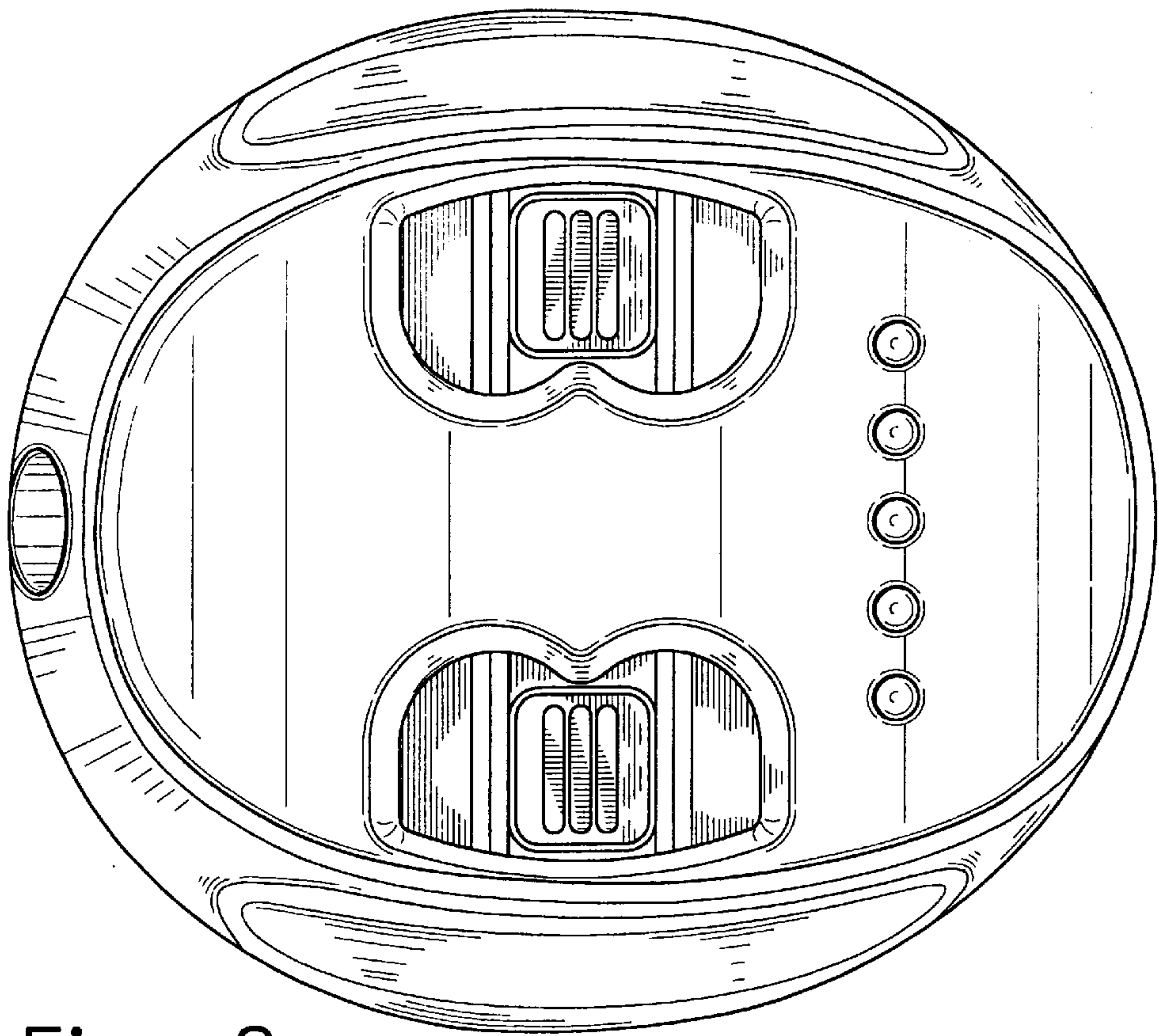


Fig. 2

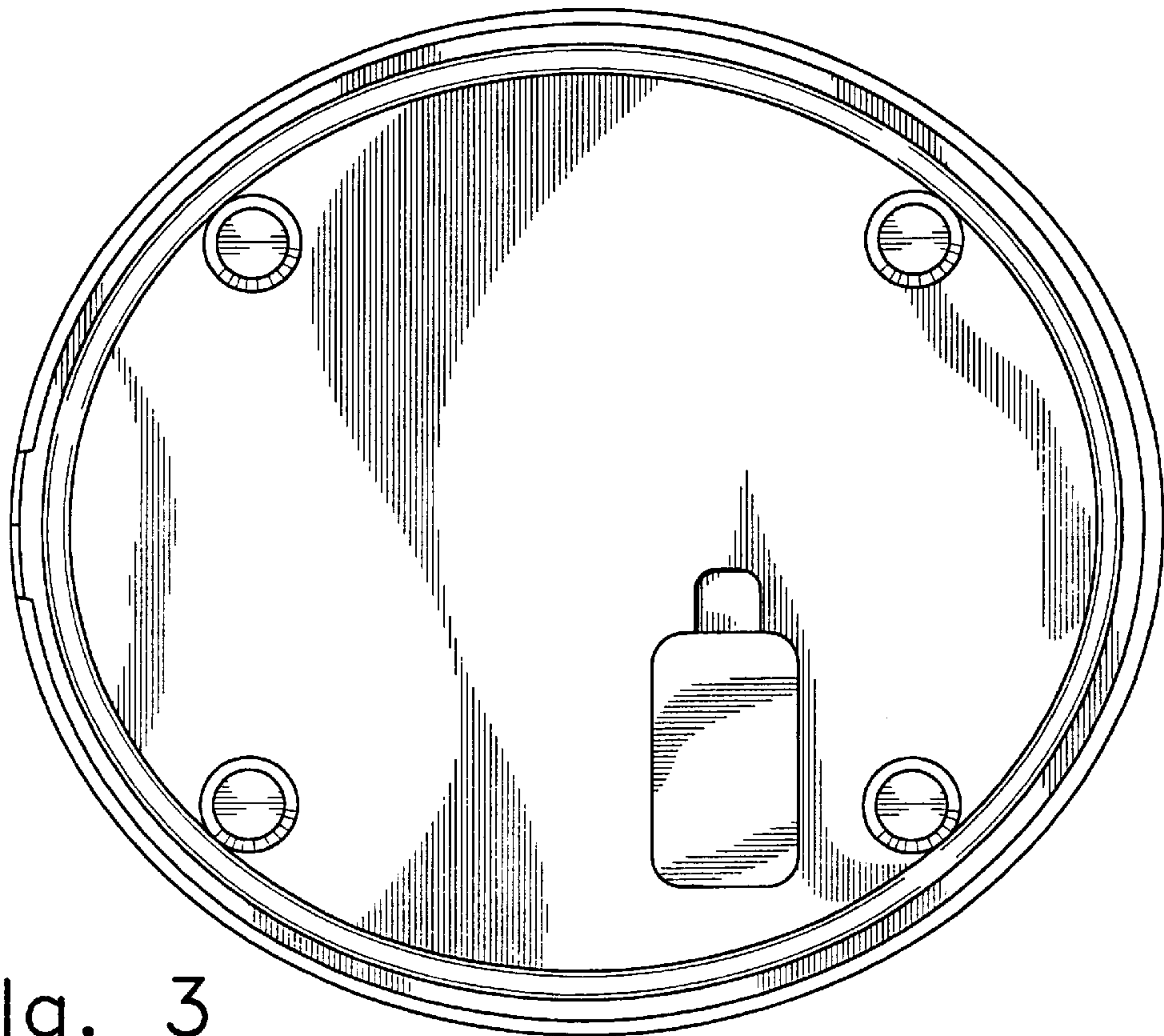


Fig. 3

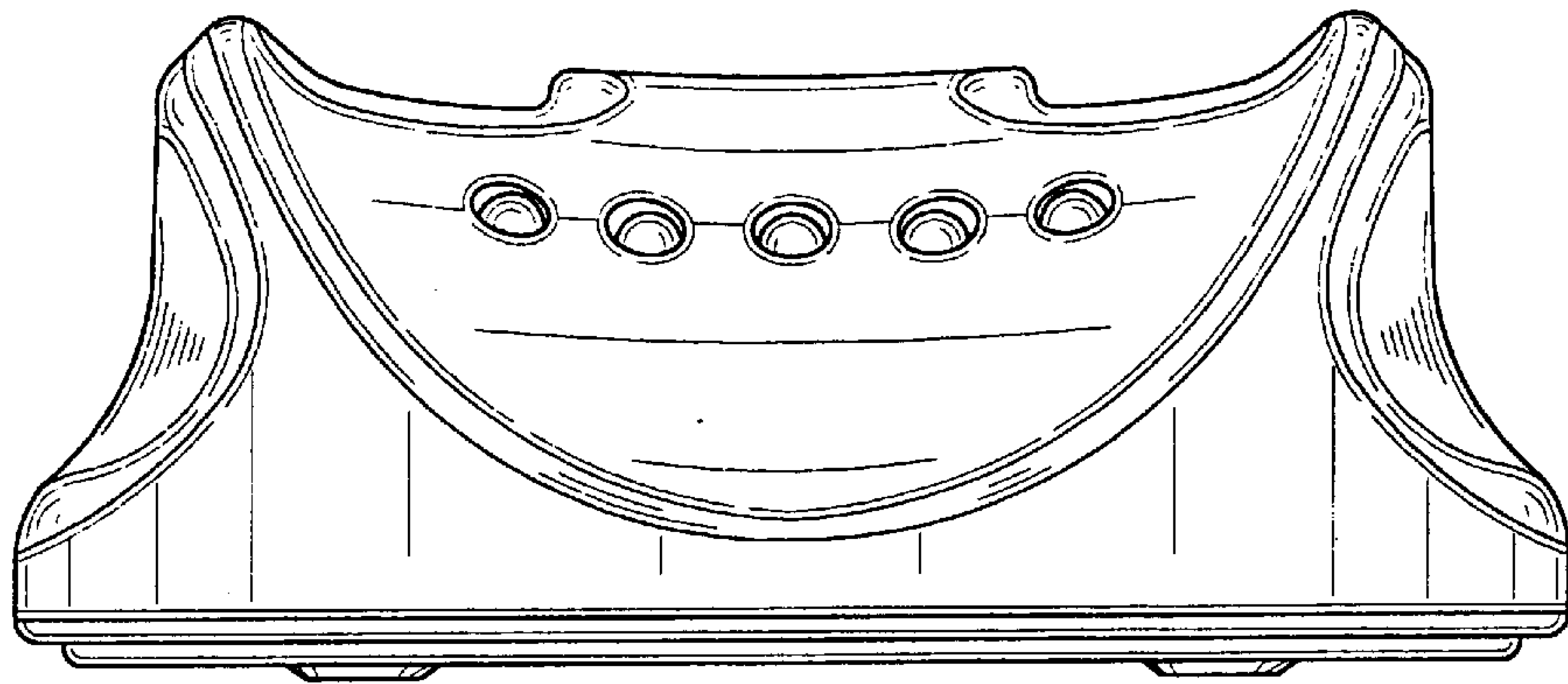


Fig. 4

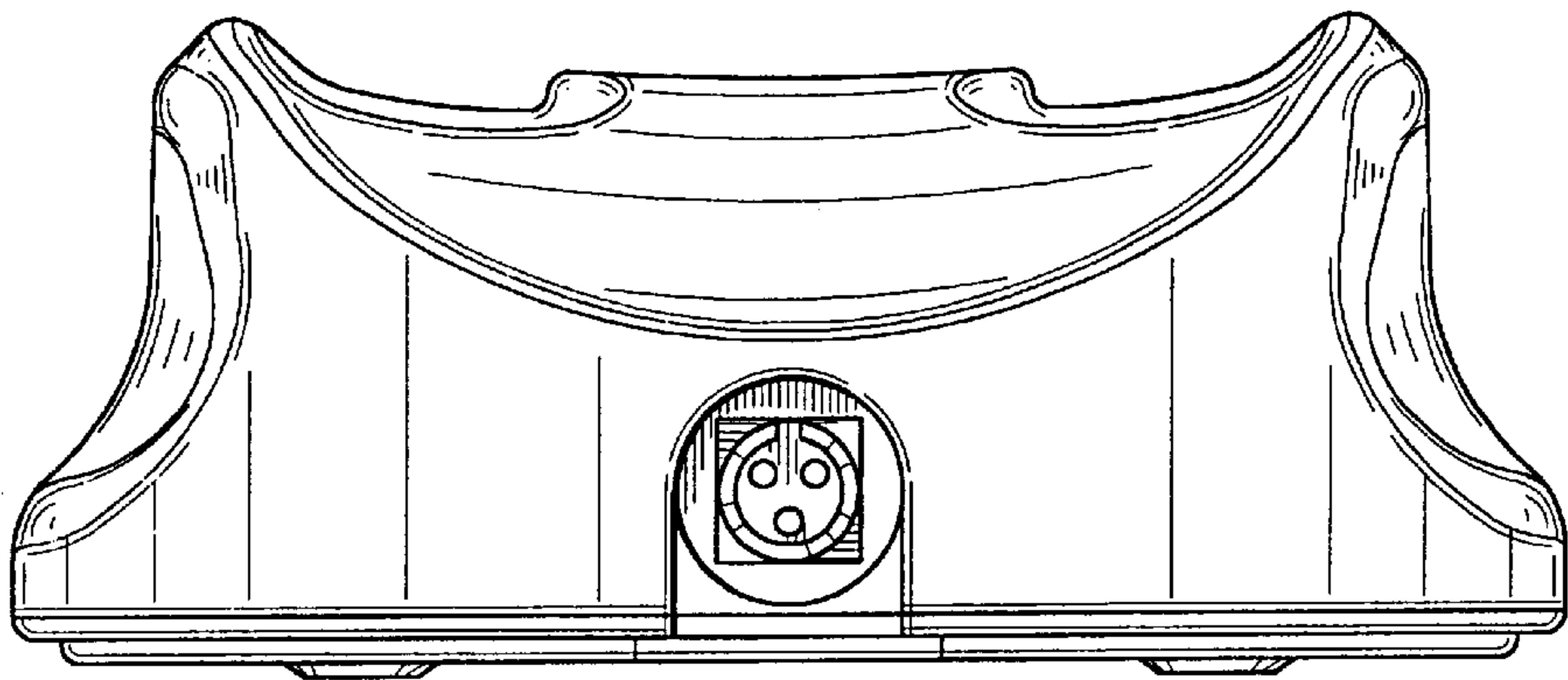


Fig. 5

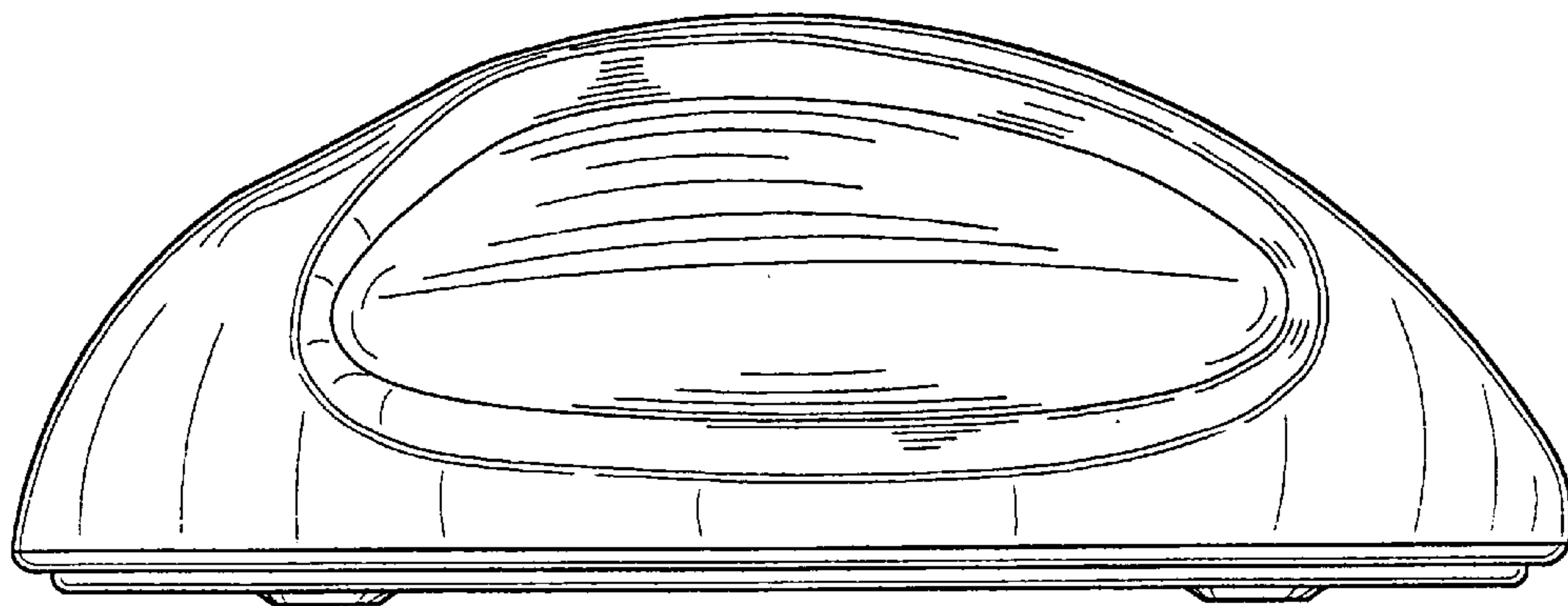


Fig. 6

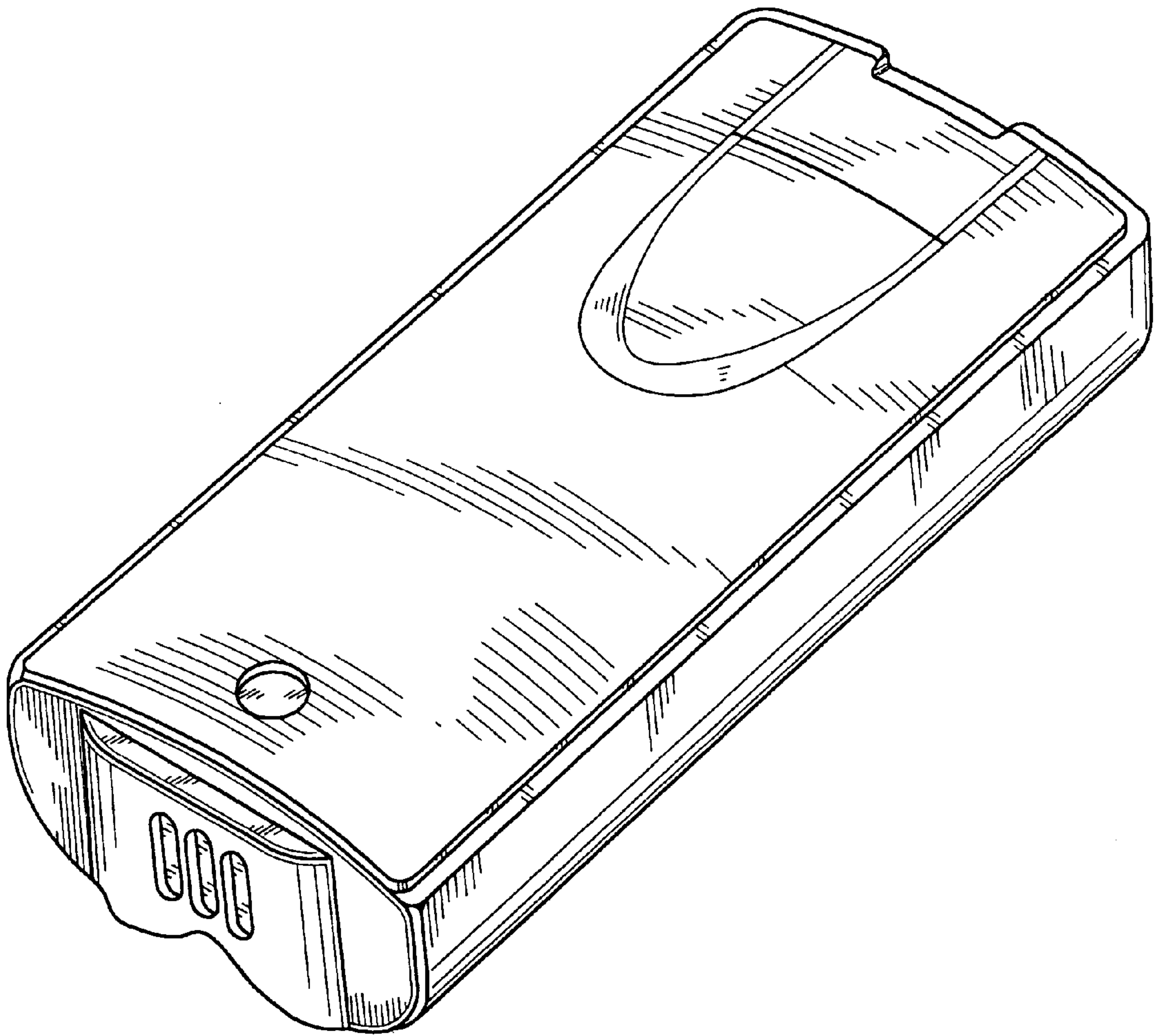


Fig. 7

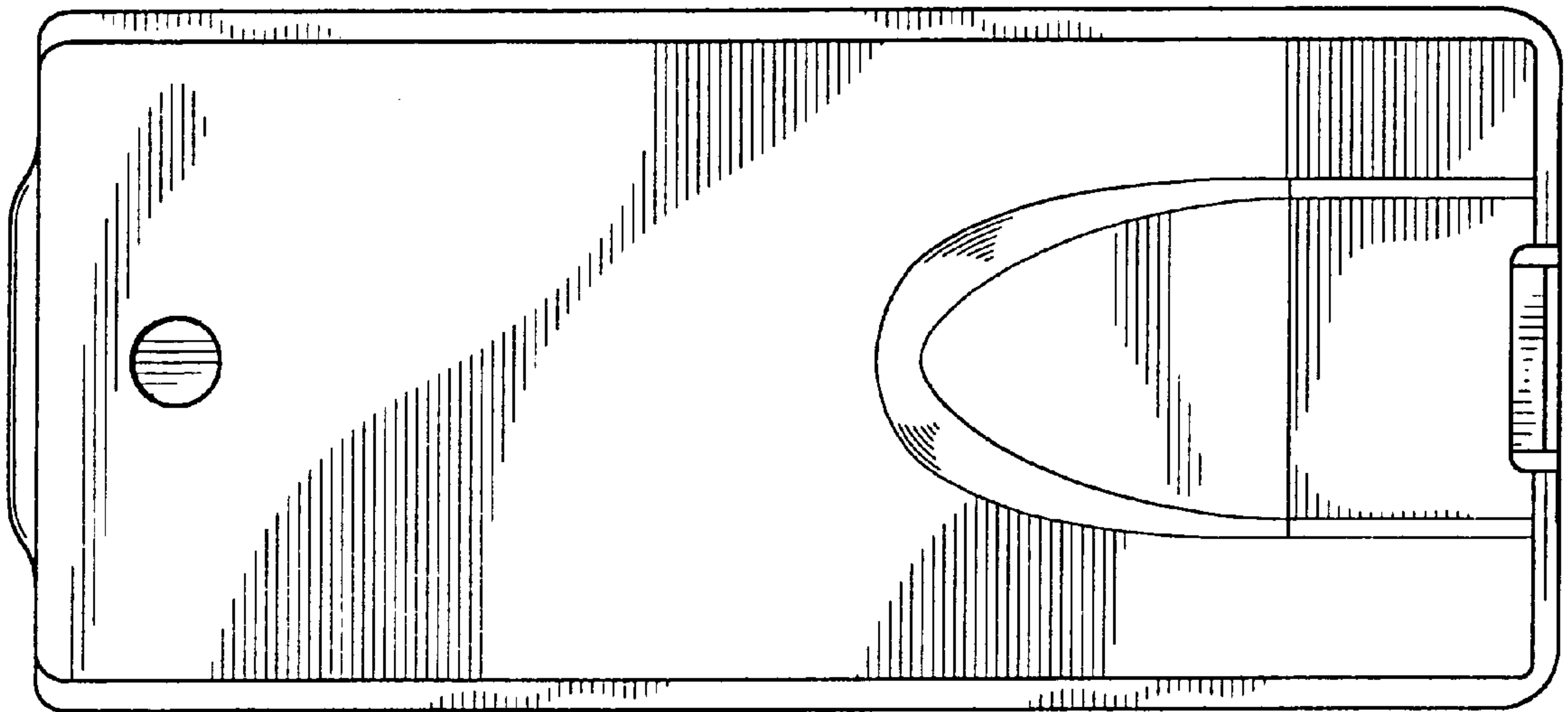


Fig. 8

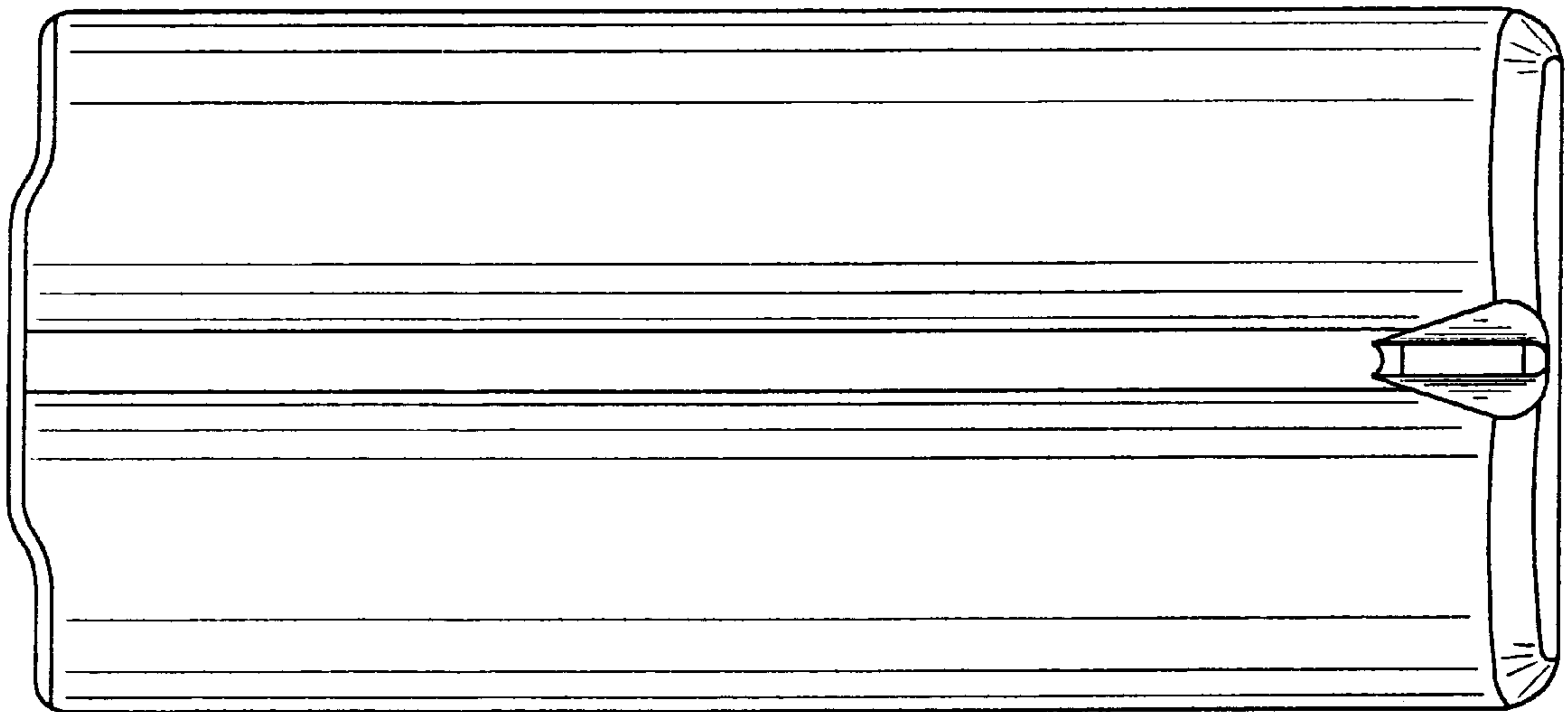


Fig. 9



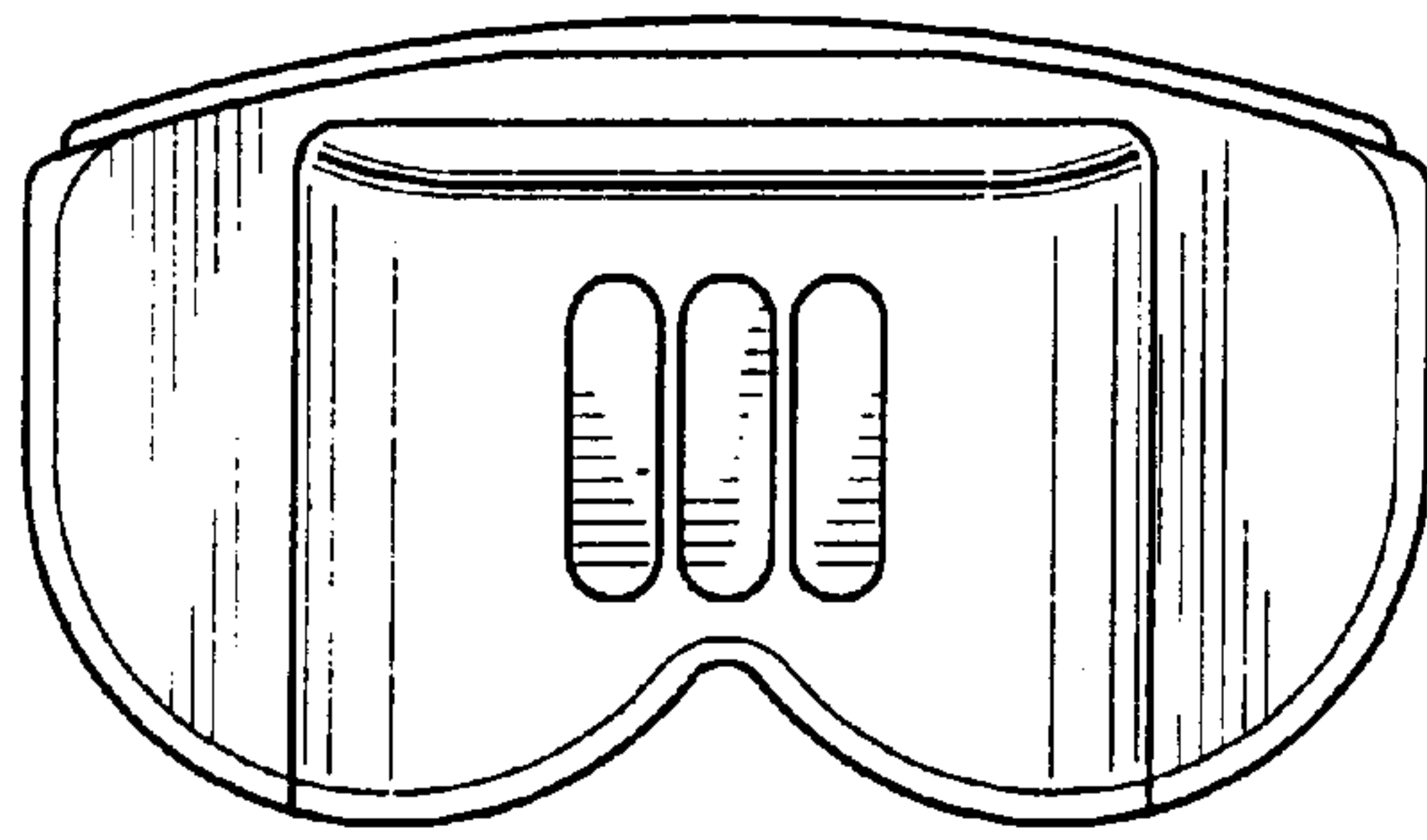


Fig. 10

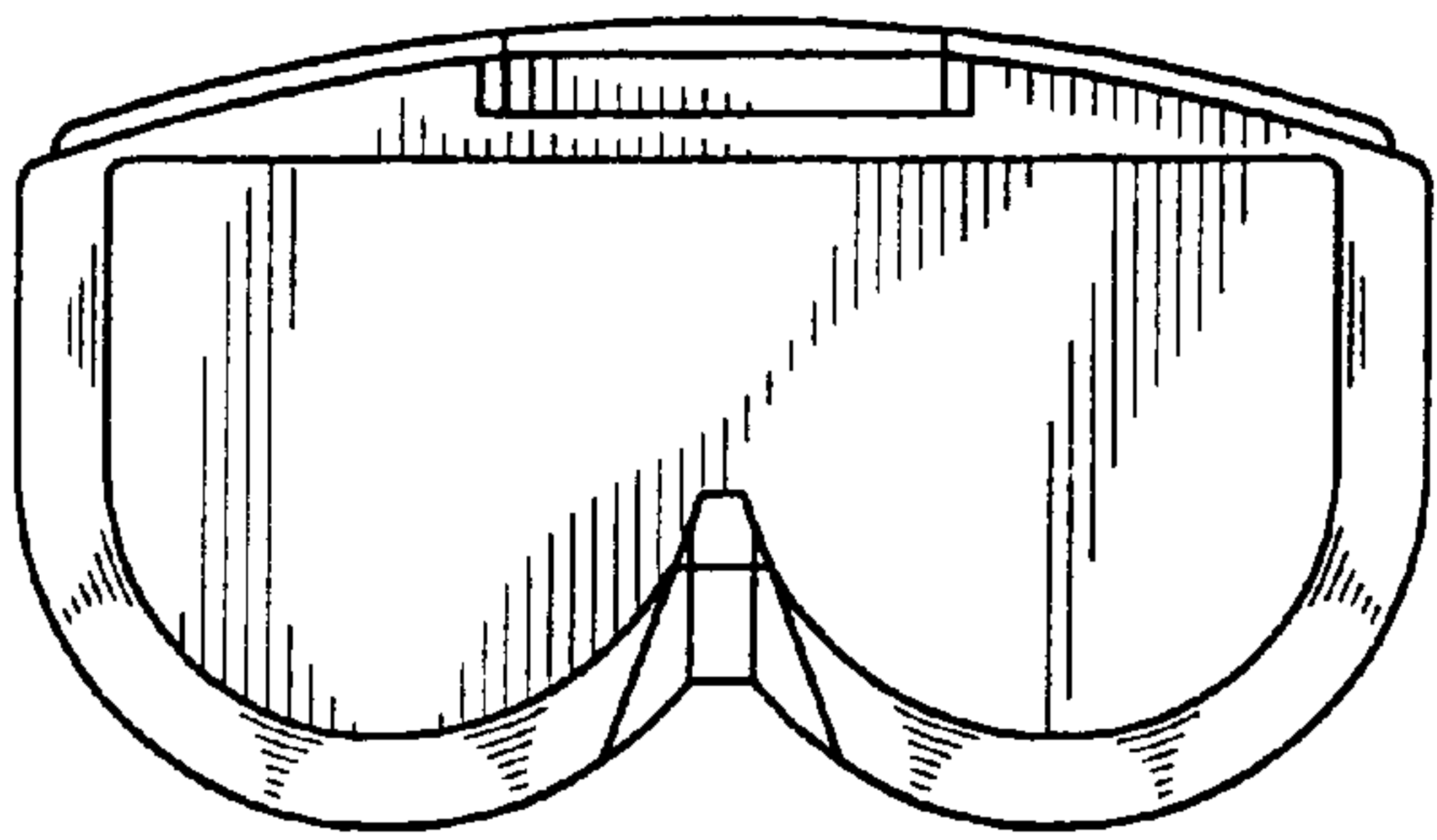


Fig. 11

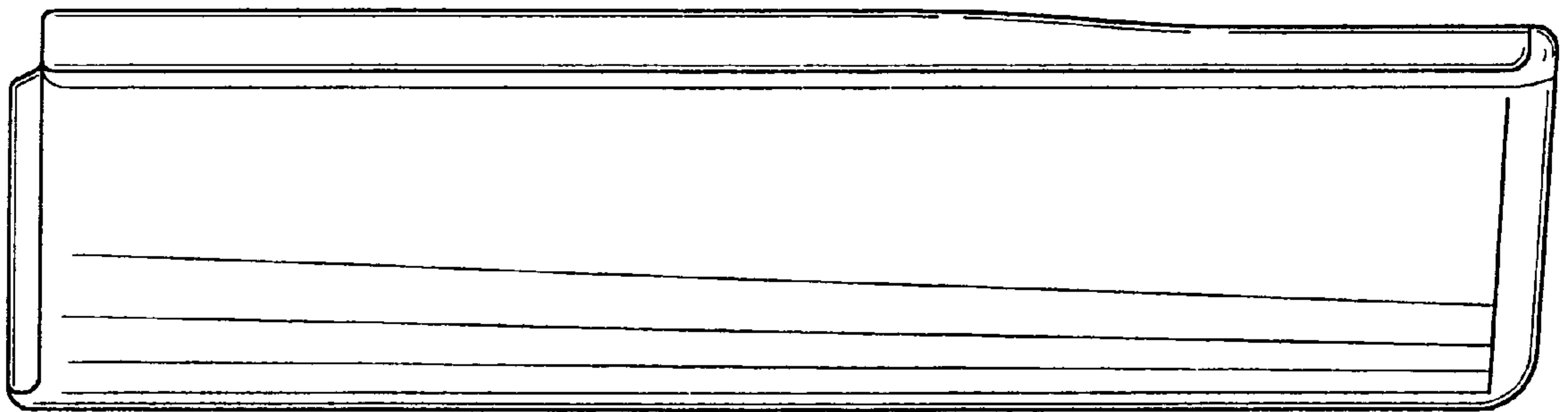


Fig. 12