



US00D438168S

(12) **United States Design Patent**  
**Schroeder et al.**

(10) **Patent No.:** **US D438,168 S**

(45) **Date of Patent:** **\*\* Feb. 27, 2001**

(54) **TRUCK BED CAP**

(75) Inventors: **Hartmut W. Schroeder**, Long Beach, CA (US); **Derek Sancer**, Battleground, WA (US)

(73) Assignee: **Custom Fibreglass Manufacturing Co.**, Long Beach, CA (US)

(\*\*) Term: **14 Years**

(21) Appl. No.: **29/125,319**

(22) Filed: **Jun. 21, 2000**

(51) **LOC (7) Cl.** ..... **12-02**

(52) **U.S. Cl.** ..... **D12/404**

(58) **Field of Search** ..... D12/401, 404, D12/406, 412; 296/185, 186, 99.1, 103, 156, 163, 210, 164, 165; 224/401

(56) **References Cited**

**U.S. PATENT DOCUMENTS**

D. 244,182	*	5/1977	Skidmore et al.	.....	D12/404
D. 254,905	*	5/1980	Collins	.....	D12/404
D. 267,793	*	2/1983	Skidmore	.....	D12/404
D. 271,757	*	12/1983	Miller	.....	D12/404
D. 290,945	*	7/1987	Geisler	.....	D12/404
D. 293,094	*	12/1987	Brown	.....	D12/404
D. 298,818	*	12/1988	Silliker	.....	D12/401
D. 299,223	*	1/1989	Galvin	.....	D12/404
D. 324,025	*	2/1992	Quiniones	.....	D12/404
D. 325,551	*	4/1992	Quiniones	.....	D12/156

D. 326,441	*	5/1992	Rogers	.....	D12/404
D. 328,049	*	7/1992	Sturtevant	.....	D12/404
D. 329,837	*	9/1992	Rogers	.....	D12/404
D. 332,934	*	2/1993	Brown et al.	.....	D12/401
D. 379,173	*	5/1997	Quiniones	.....	D12/404
D. 383,432	*	9/1997	Starr et al.	.....	D12/404
D. 388,049	*	12/1997	Reardon	.....	D12/404
D. 403,652	*	1/1999	Starr et al.	.....	D12/404

\* cited by examiner

*Primary Examiner*—Stacia Cadmus

(74) *Attorney, Agent, or Firm*—Fulwider Patton Lee & Utecht, LLP

(57) **CLAIM**

The ornamental design for a truck bed cap, as shown and described.

**DESCRIPTION**

FIG. 1 is a perspective view showing my new design of a truck bed cap;

FIG. 2 is a front plan view thereof;

FIG. 3 is a rear plan view thereof;

FIG. 4 is a right side plan view thereof;

FIG. 5 is a left side plan view thereof;

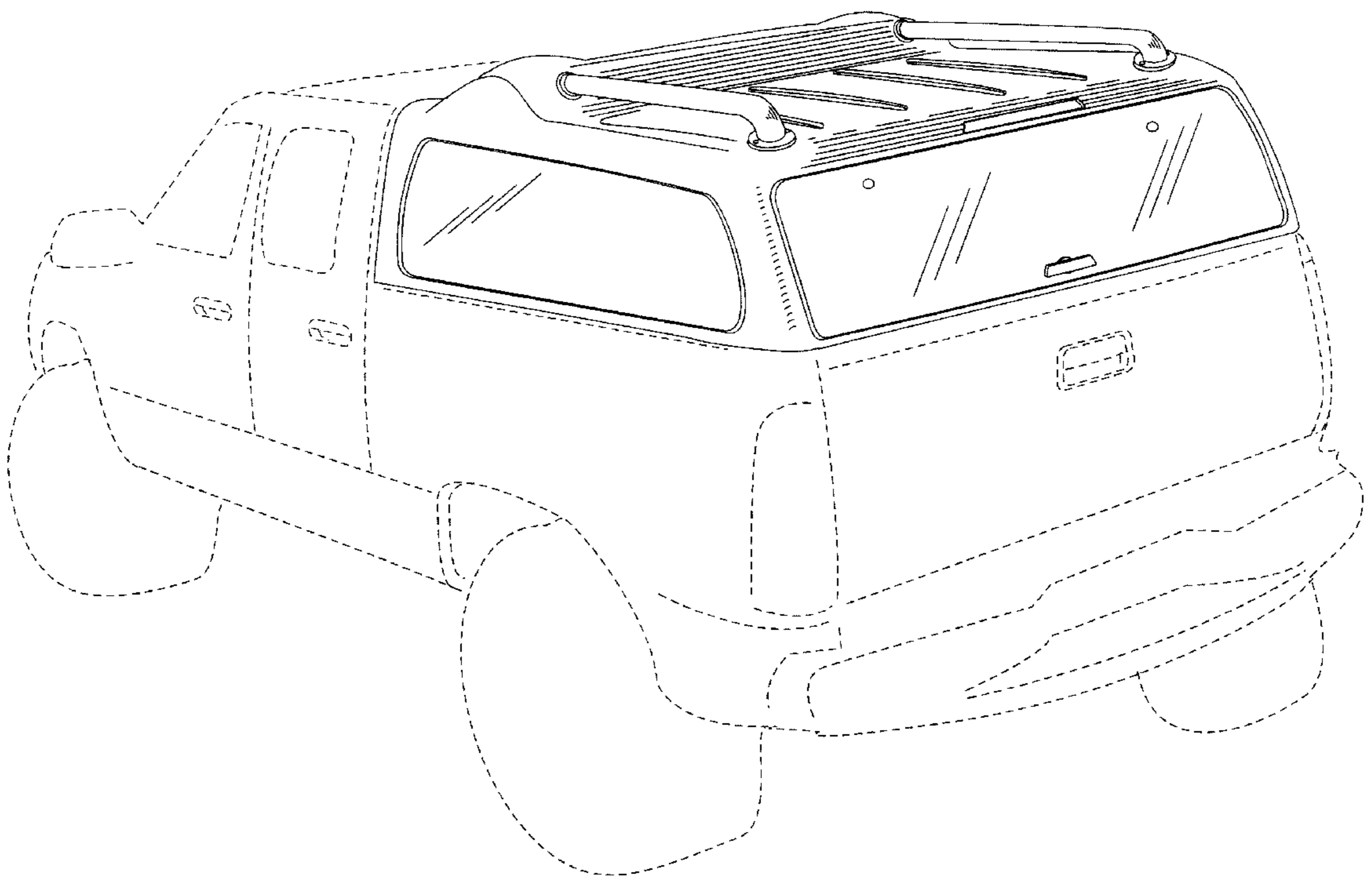
FIG. 6 is a top plan view thereof;

FIG. 7 is a bottom plan view thereof; and,

FIG. 8 is a front plan view thereof.

The broken line showing of environment is for illustrative purposes only and forms no part of the claimed design.

**1 Claim, 8 Drawing Sheets**



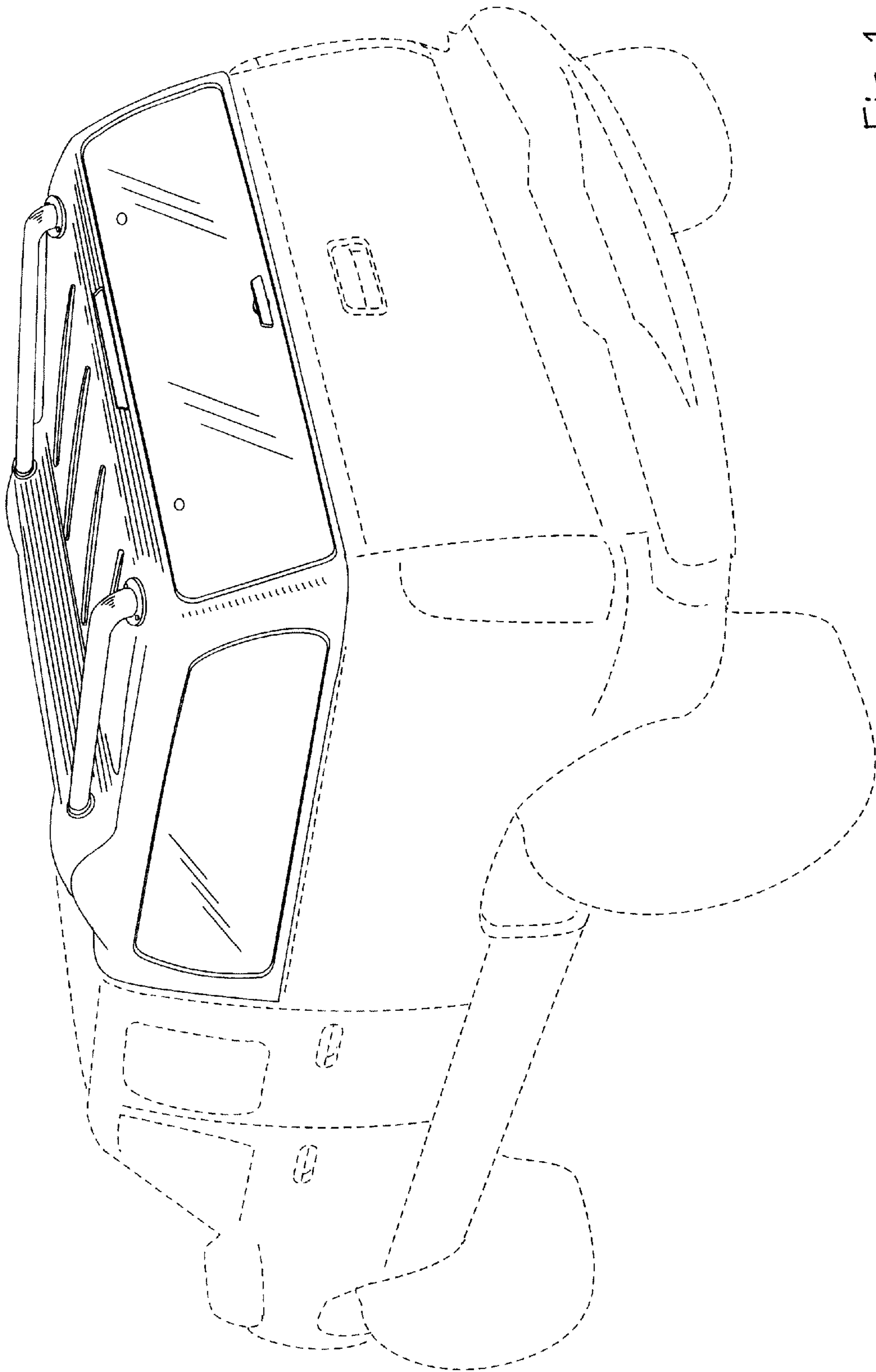


Fig. 1

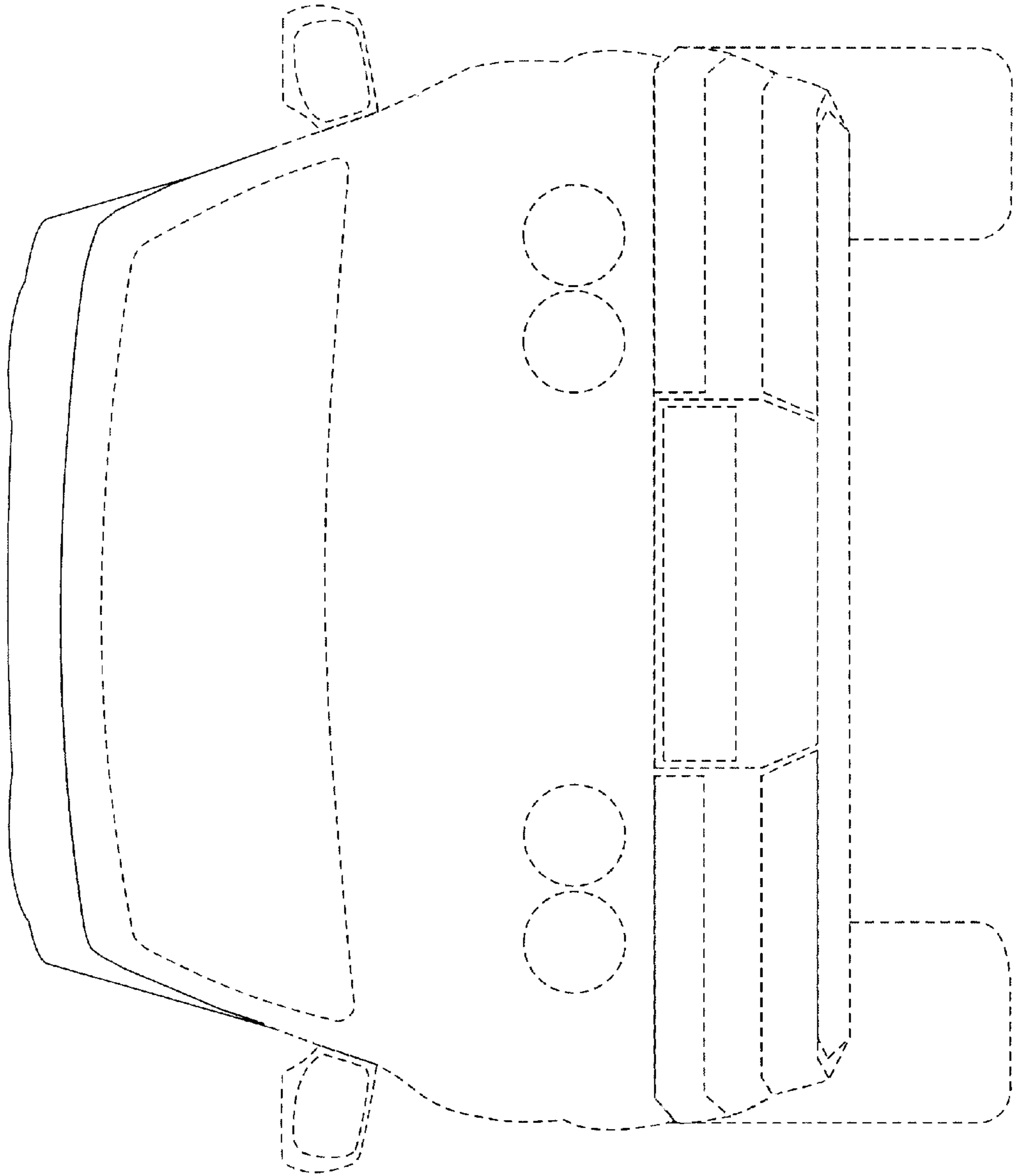


Fig. 2

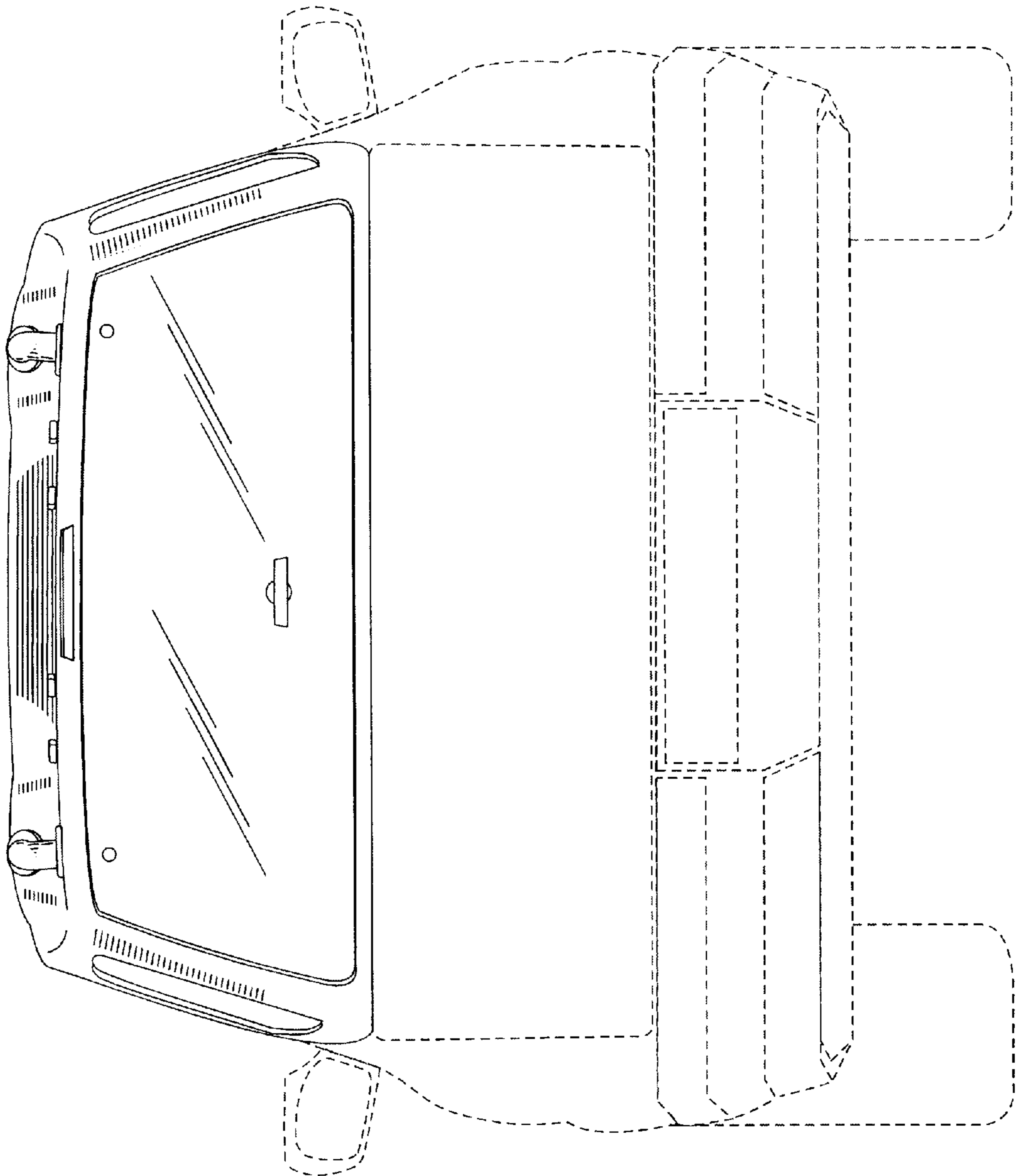


Fig. 3

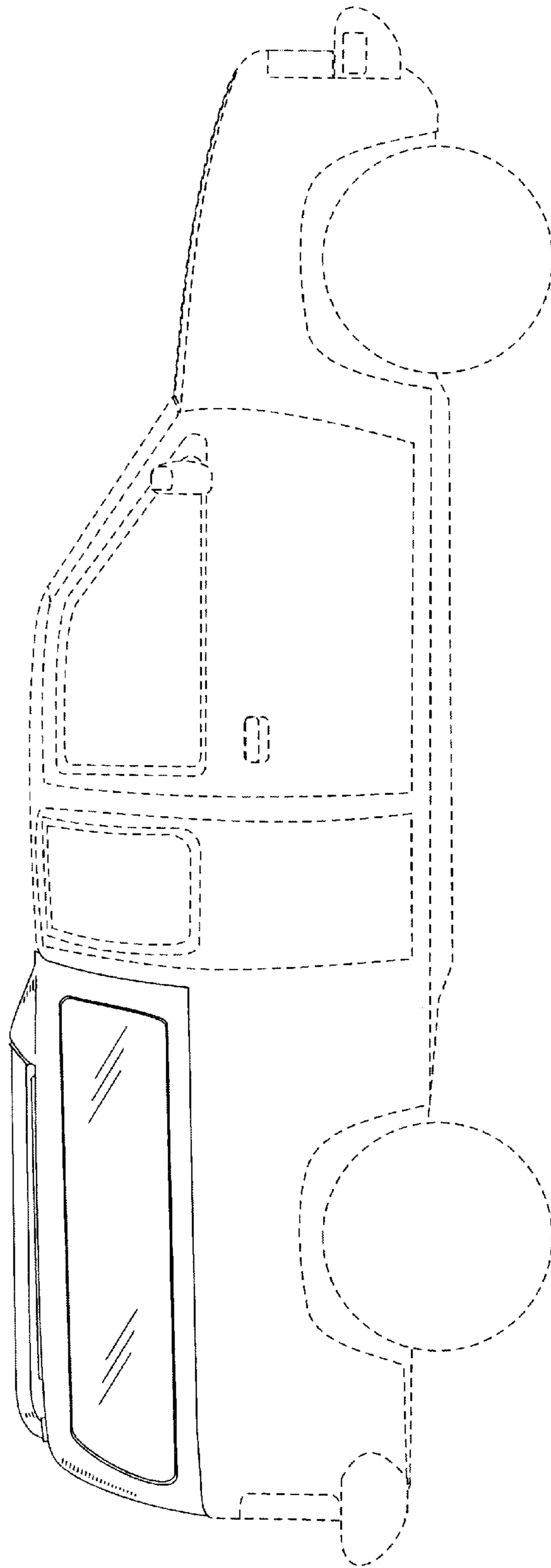


Fig. 4

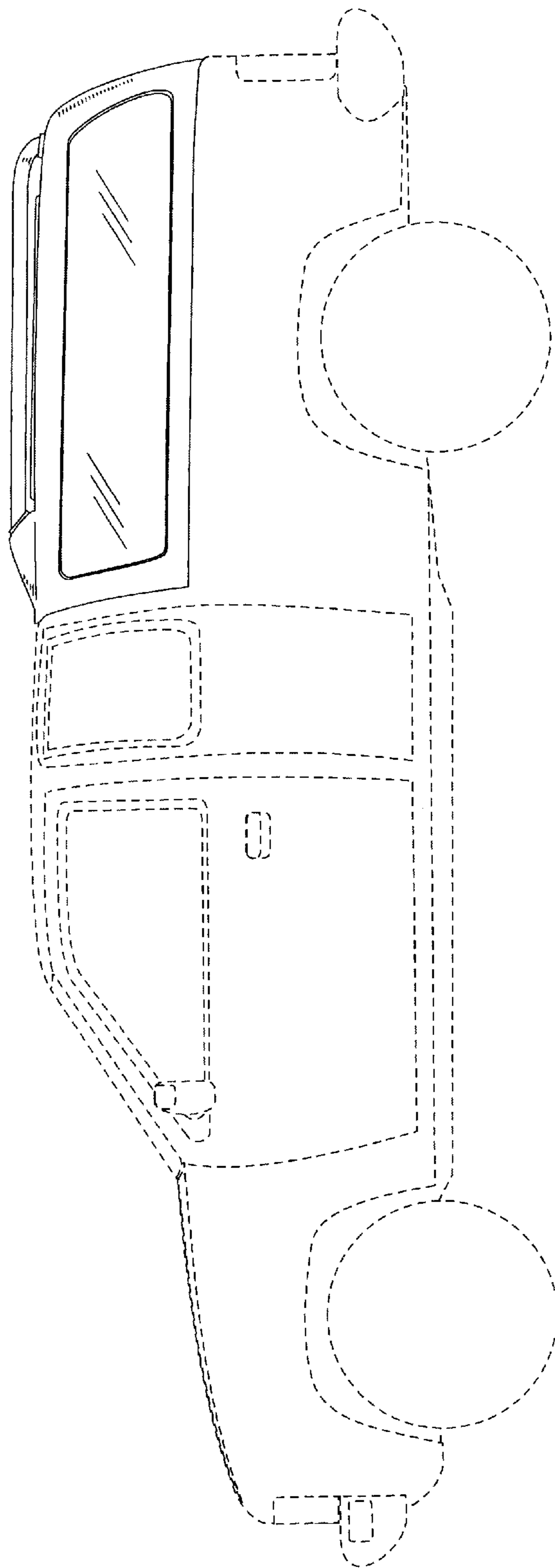


Fig. 5

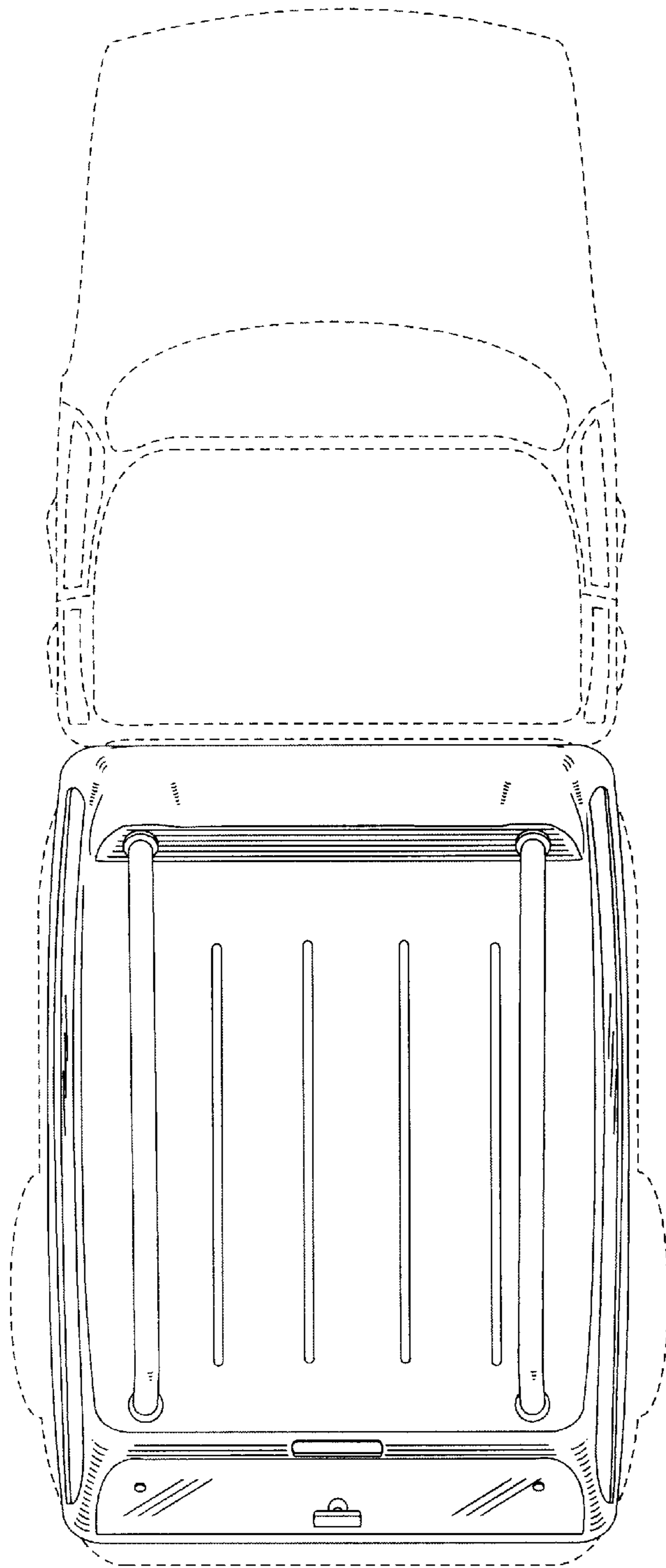


Fig. 6

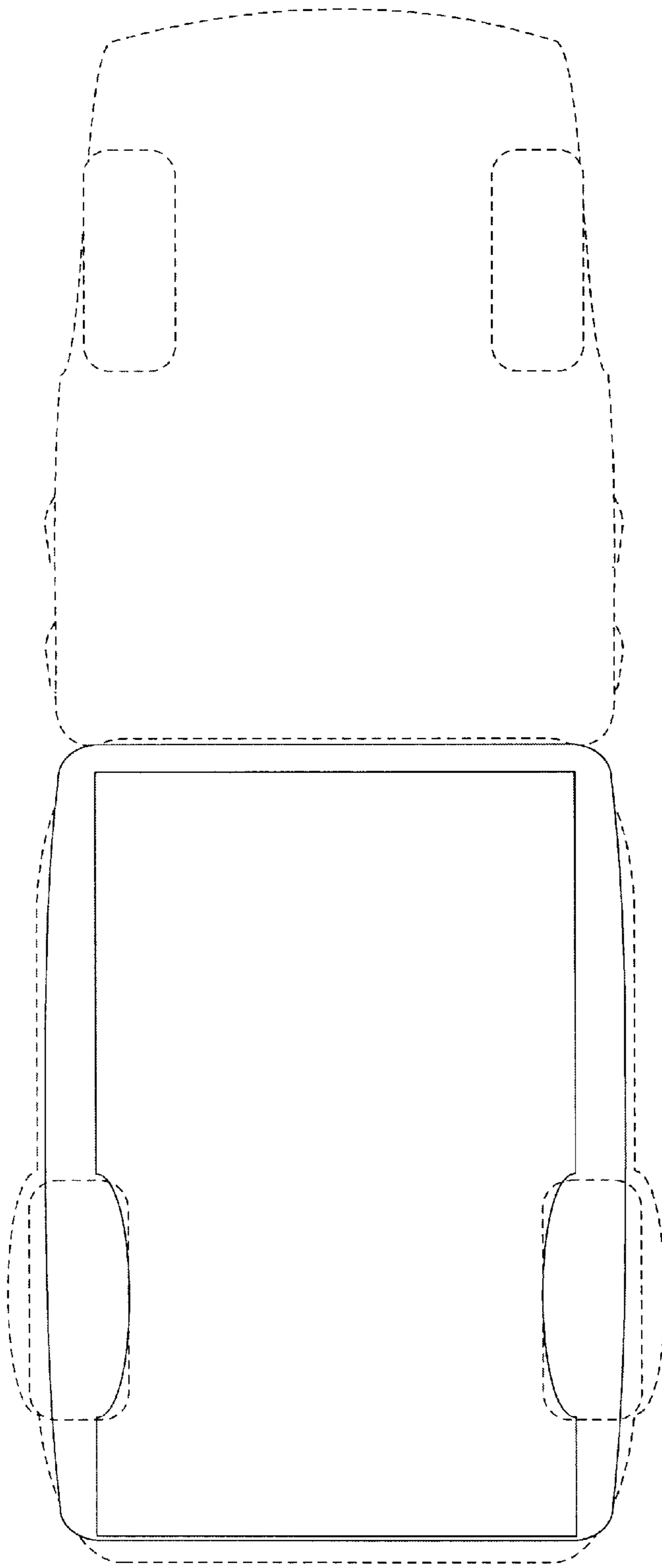


Fig. 7



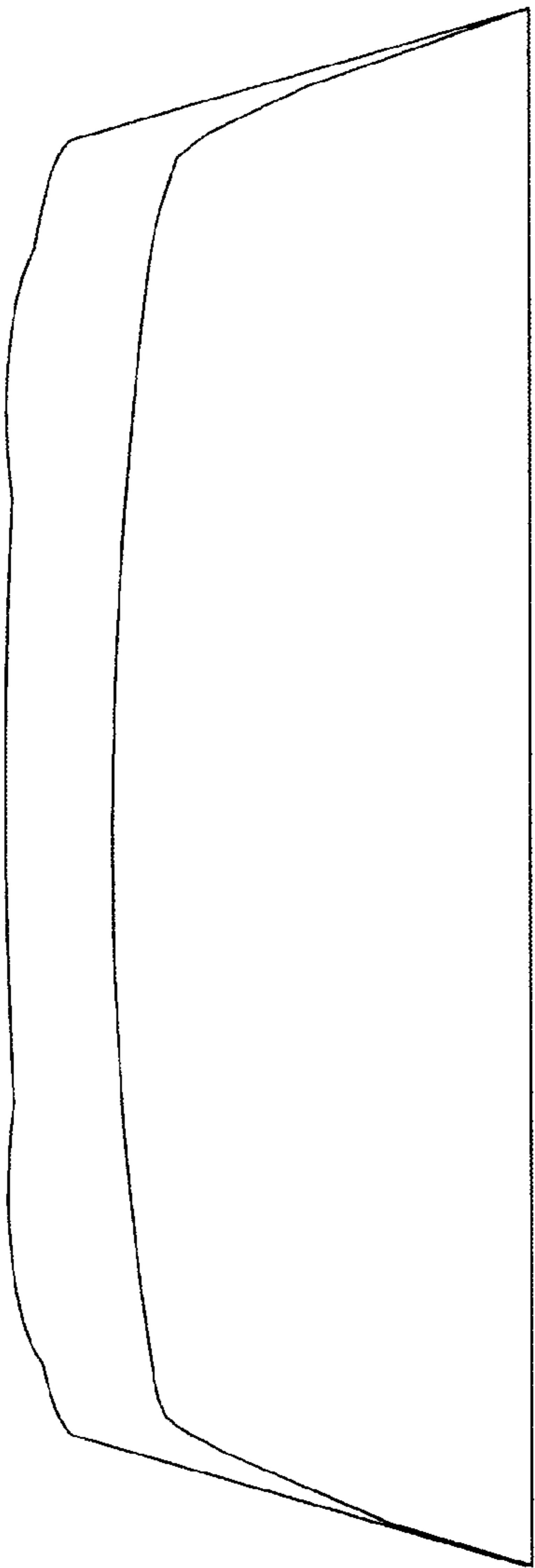


Fig. 8