



US00D438166S

(12) **United States Design Patent**  
**Noreiga**

(10) **Patent No.:** **US D438,166 S**

(45) **Date of Patent:** **\*\* Feb. 27, 2001**

(54) **AUTOMOBILE WHEEL**

(76) **Inventor:** **Frank Noreiga**, 9246 Claymore St.,  
Pico Rivera, CA (US) 90060

(\*\*) **Term:** **14 Years**

(21) **Appl. No.:** **29/131,084**

(22) **Filed:** **Oct. 13, 2000**

(51) **LOC (7) Cl.** ..... **12-16**

(52) **U.S. Cl.** ..... **D12/211**

(58) **Field of Search** ..... D12/204-211;  
301/37.1, 64.1, 65

(56) **References Cited**

**U.S. PATENT DOCUMENTS**

D. 215,652	*	10/1969	Griffith	.....	D12/211
D. 275,665	*	9/1984	De Vries	.....	D12/211
D. 392,611	*	3/1998	Echazabal et al.	.....	D12/211
D. 403,648	*	1/1999	Feriero	.....	D12/209
D. 409,552	*	5/1999	Chung	.....	D12/211
D. 416,532	*	11/1999	Cullen	.....	D12/211

D. 419,945	*	2/2000	Hartanto	.....	D12/211
D. 423,446	*	4/2000	Chung	.....	D12/211
D. 430,527	*	9/2000	Noriega	.....	D12/211
D. 432,481	*	10/2000	Brown	.....	D12/209
D. 432,971	*	10/2000	Donikoglu	.....	D12/209
D. 433,375	*	11/2000	Fitzgerald	.....	D12/209
D. 433,376	*	11/2000	Noriega	.....	D12/211

\* cited by examiner

*Primary Examiner*—Stacia Cadmus

(74) *Attorney, Agent, or Firm*—Chan Law Group LC;  
Marcia Devon

(57) **CLAIM**

The ornamental design for an automobile wheel, as shown and described.

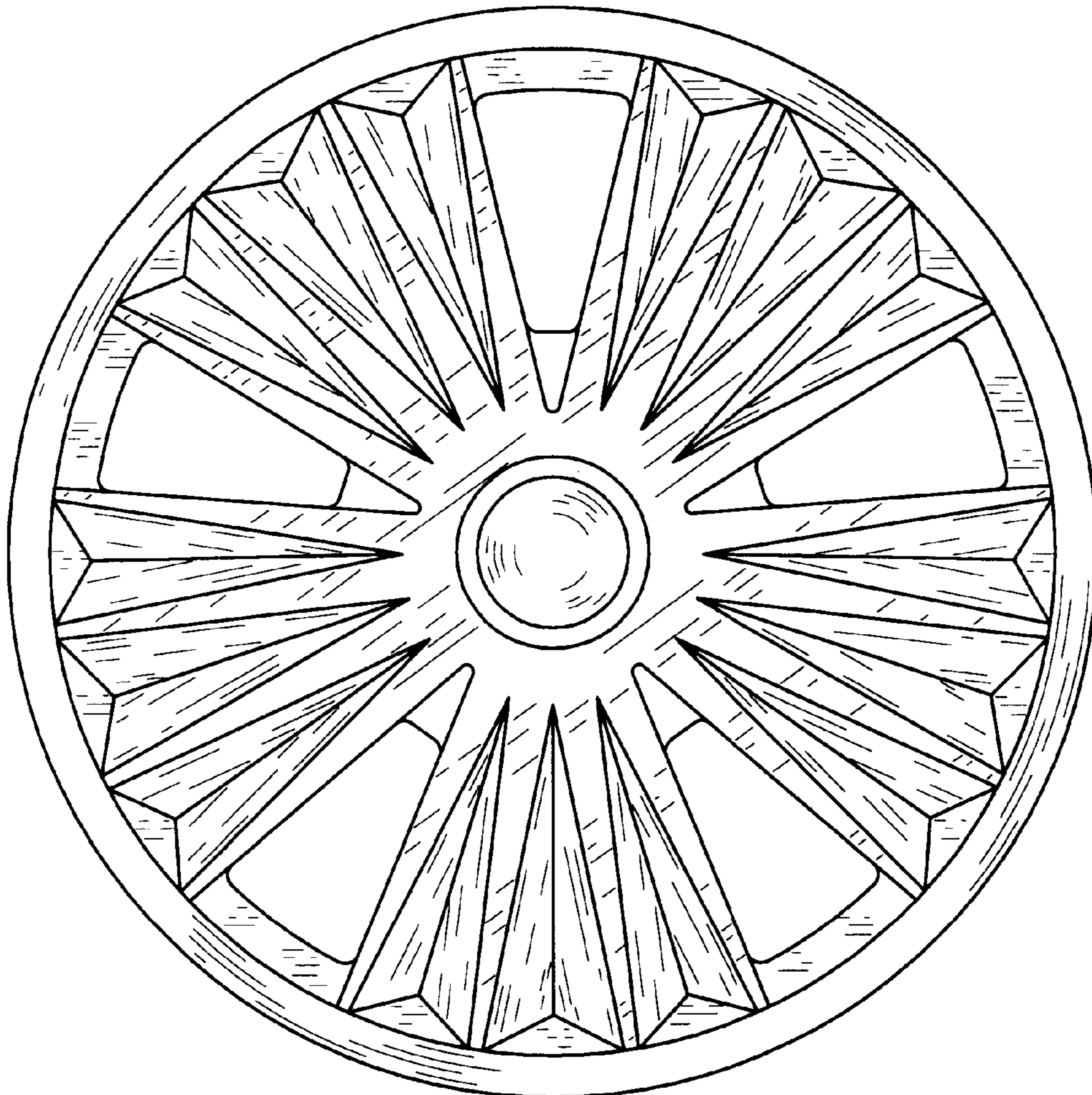
**DESCRIPTION**

FIG. 1 is a perspective view of an automobile wheel showing my new design;

FIG. 2 is a reduced top plan view of the invention; and,

FIG. 3 is a side view of the invention.

**1 Claim, 2 Drawing Sheets**



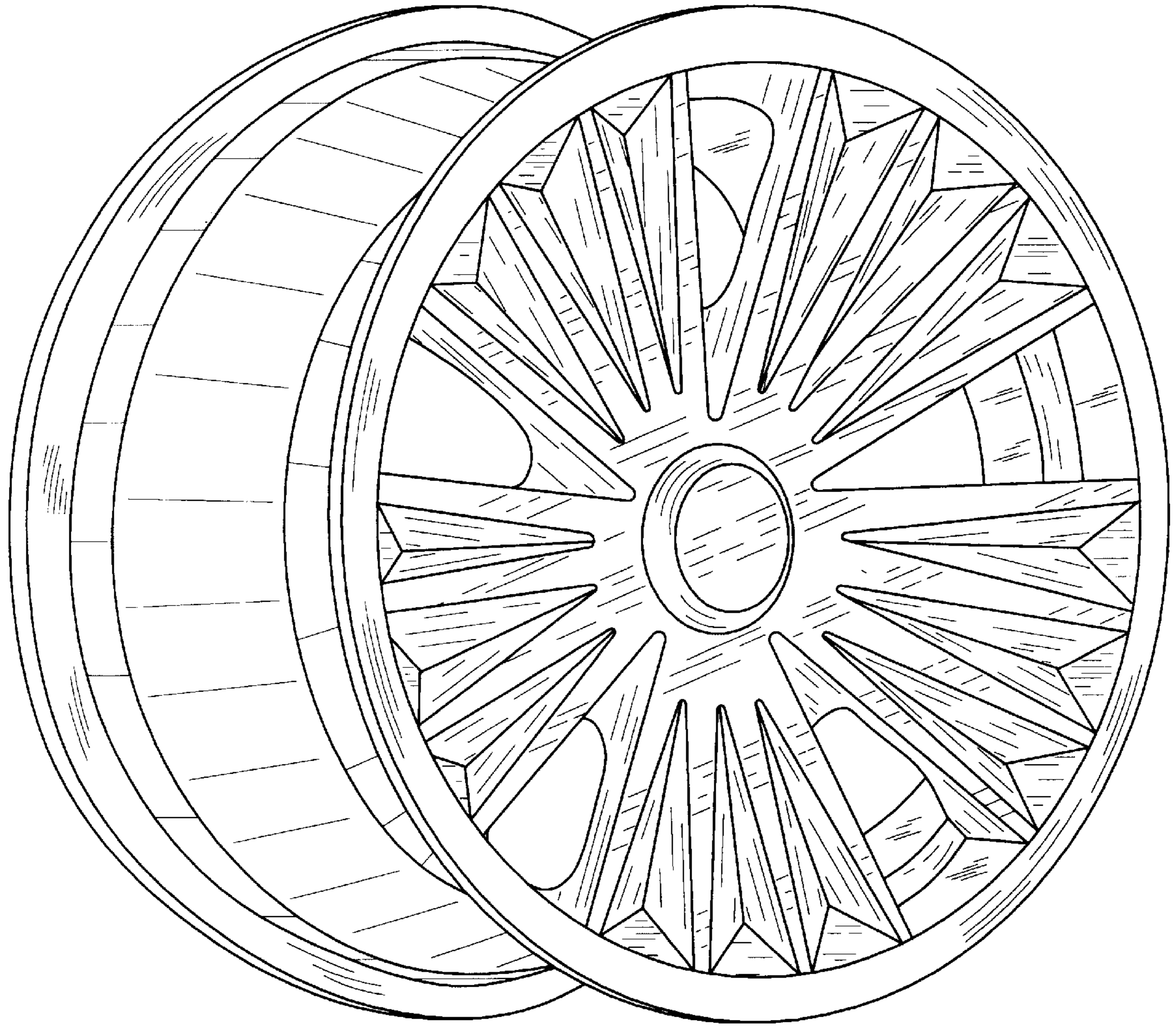


FIG. 1

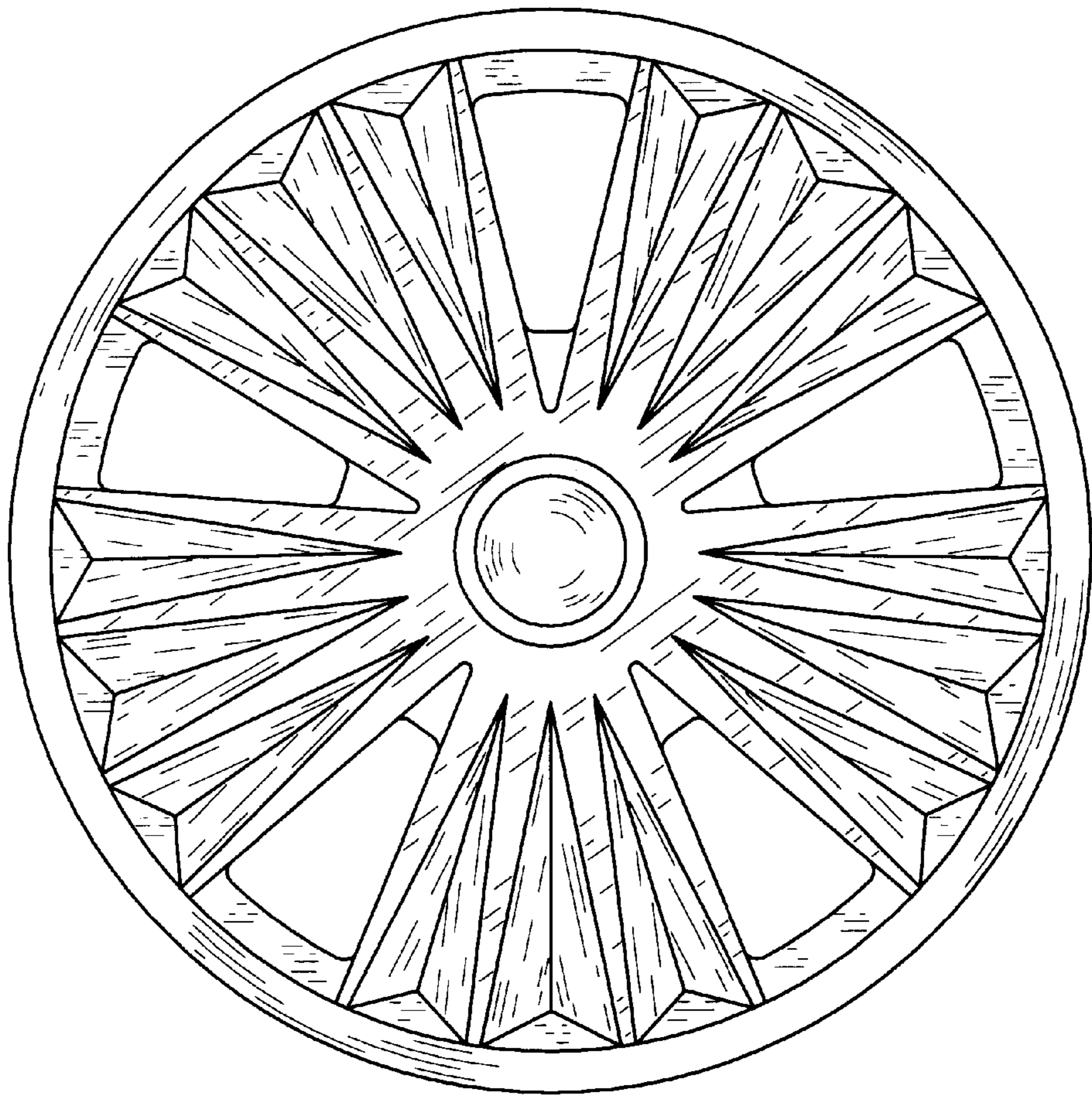


FIG. 2

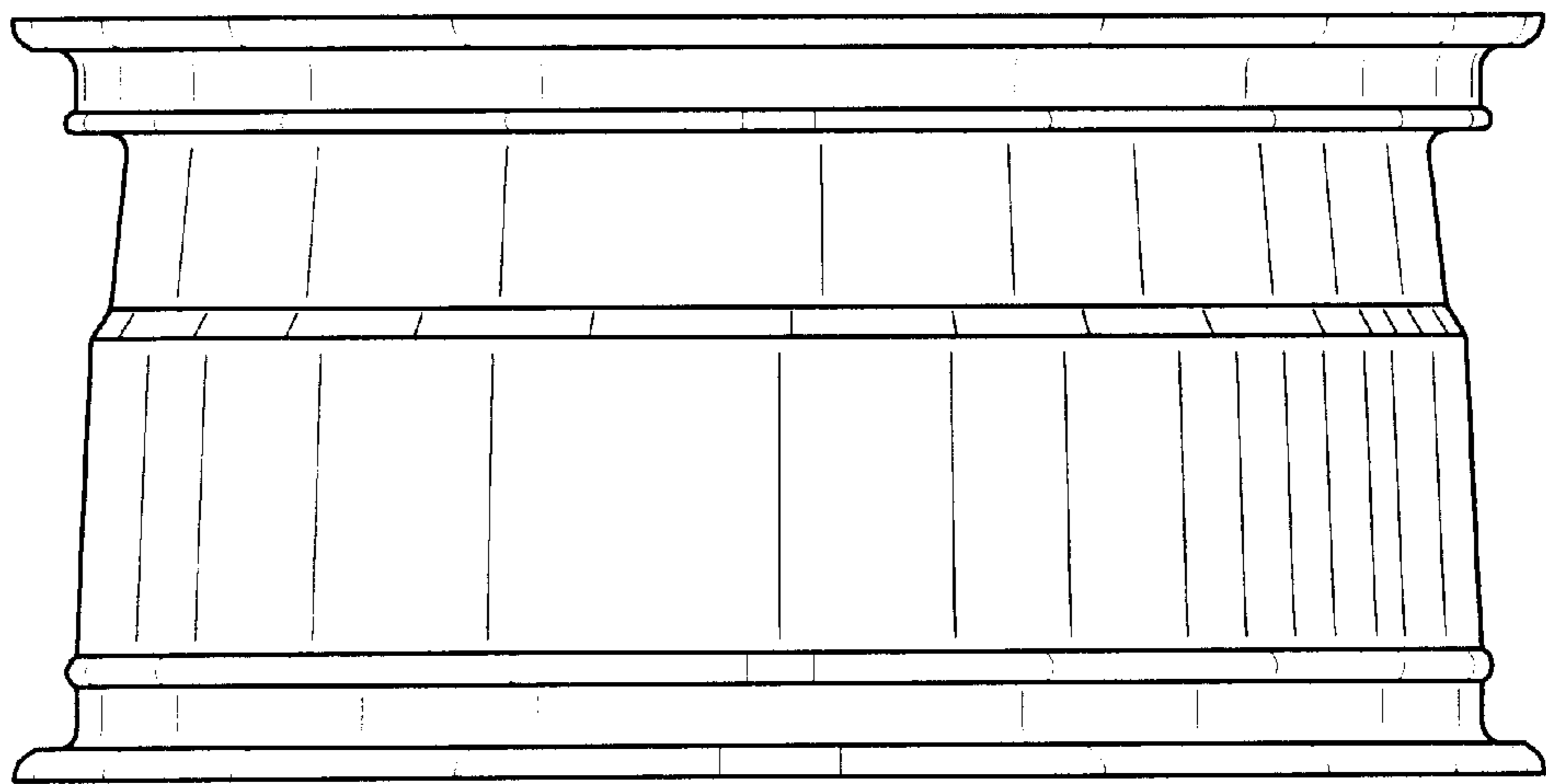


FIG. 3