



US00D438162S

(12) **United States Design Patent**
Syring

(10) **Patent No.:** **US D438,162 S**

(45) **Date of Patent:** **** Feb. 27, 2001**

(54) **FRONT FACE OF A VEHICLE WHEEL**

(75) **Inventor:** **Marcus Syring, Munich (DE)**

(73) **Assignee:** **Bayerische Motoren Werke
Aktiengesellschaft, Munich (DE)**

(**) **Term:** **14 Years**

(21) **Appl. No.:** **29/113,056**

(22) **Filed:** **Oct. 29, 1999**

(30) **Foreign Application Priority Data**

Apr. 29, 1999 (DE) 499 04 345

(51) **LOC (7) Cl.** **12-16**

(52) **U.S. Cl.** **D12/211**

(58) **Field of Search** D12/204-211;
301/37.1, 64.1, 65

(56) **References Cited**

U.S. PATENT DOCUMENTS

- D. 225,626 * 12/1972 Davidson D12/211
- D. 311,717 * 10/1990 Yoshida D12/211
- D. 348,243 * 6/1994 Echazabel et al. D12/211
- D. 350,932 * 9/1994 Echazabel et al. D12/211
- D. 376,125 * 12/1996 Fikse D12/211
- D. 380,431 * 7/1997 Brown et al. D12/209

- D. 384,633 * 10/1997 Syring D12/211
- D. 394,838 * 6/1998 Suprihanto D12/211
- D. 398,278 * 9/1998 Brown et al. D12/211
- D. 398,898 * 9/1998 Baumgartner et al. D12/211
- D. 401,206 * 11/1998 Ivanova D12/209
- D. 402,951 * 12/1998 Wechner D12/211
- D. 405,409 * 2/1999 Baumgartner D12/211
- D. 406,092 * 2/1999 Baumgartner D12/211
- D. 410,426 * 6/1999 Frizzi D12/211
- D. 416,849 * 11/1999 Weidhase D12/211

* cited by examiner

Primary Examiner—Stacia Cadmus

(74) *Attorney, Agent, or Firm*—Evenson, McKeown,
Edwards & Lenahan, P.L.L.C.

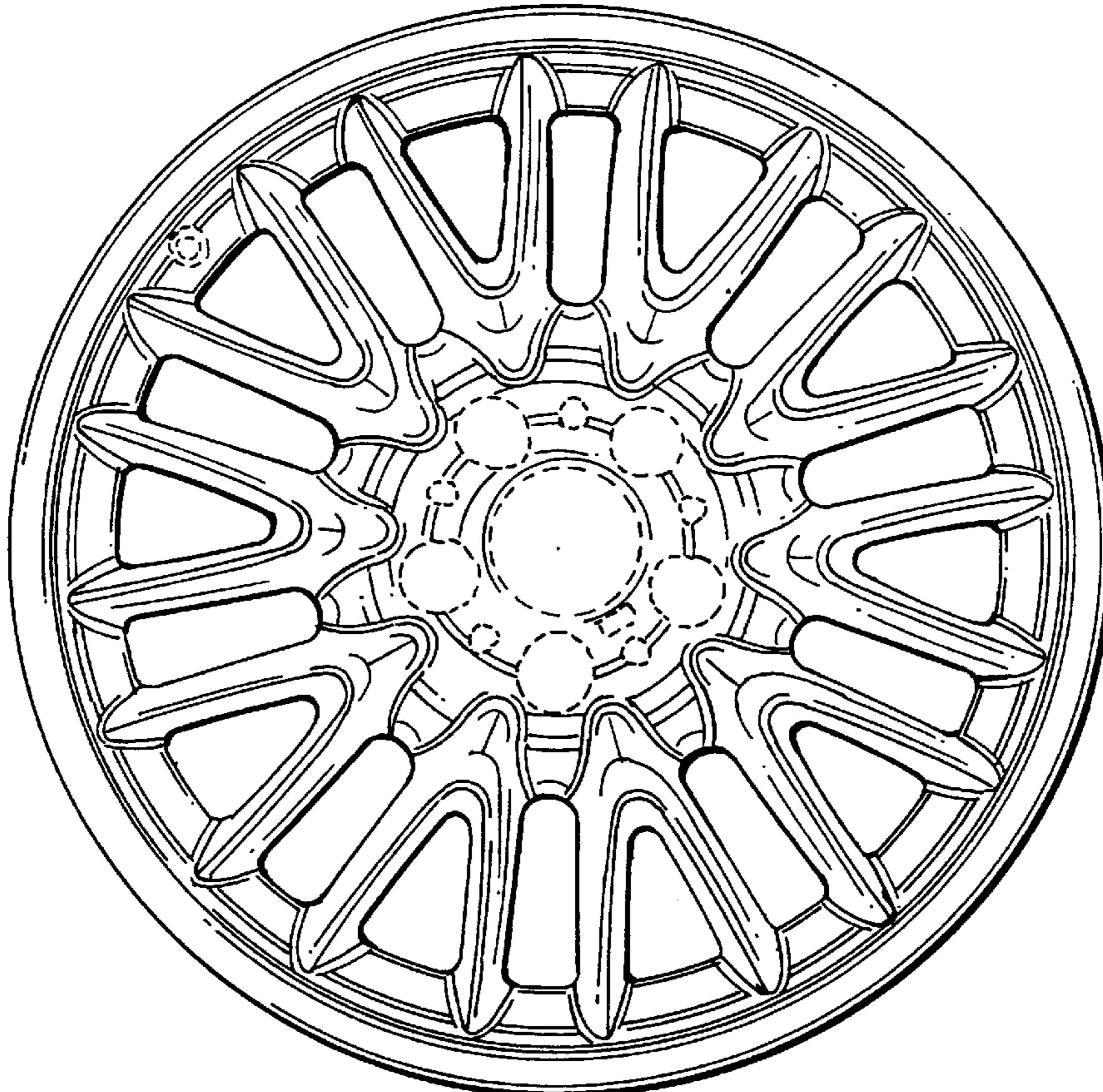
(57) **CLAIM**

The ornamental design for a front face of a vehicle wheel,
as shown and described.

DESCRIPTION

FIG. 1 is a front view of a front face of a vehicle wheel
according to my novel design; and,
FIG. 2 is a perspective view of the front face of a vehicle
wheel according to my novel design.
The dash lines included depict environment and are not part
of the claimed design.

1 Claim, 1 Drawing Sheet



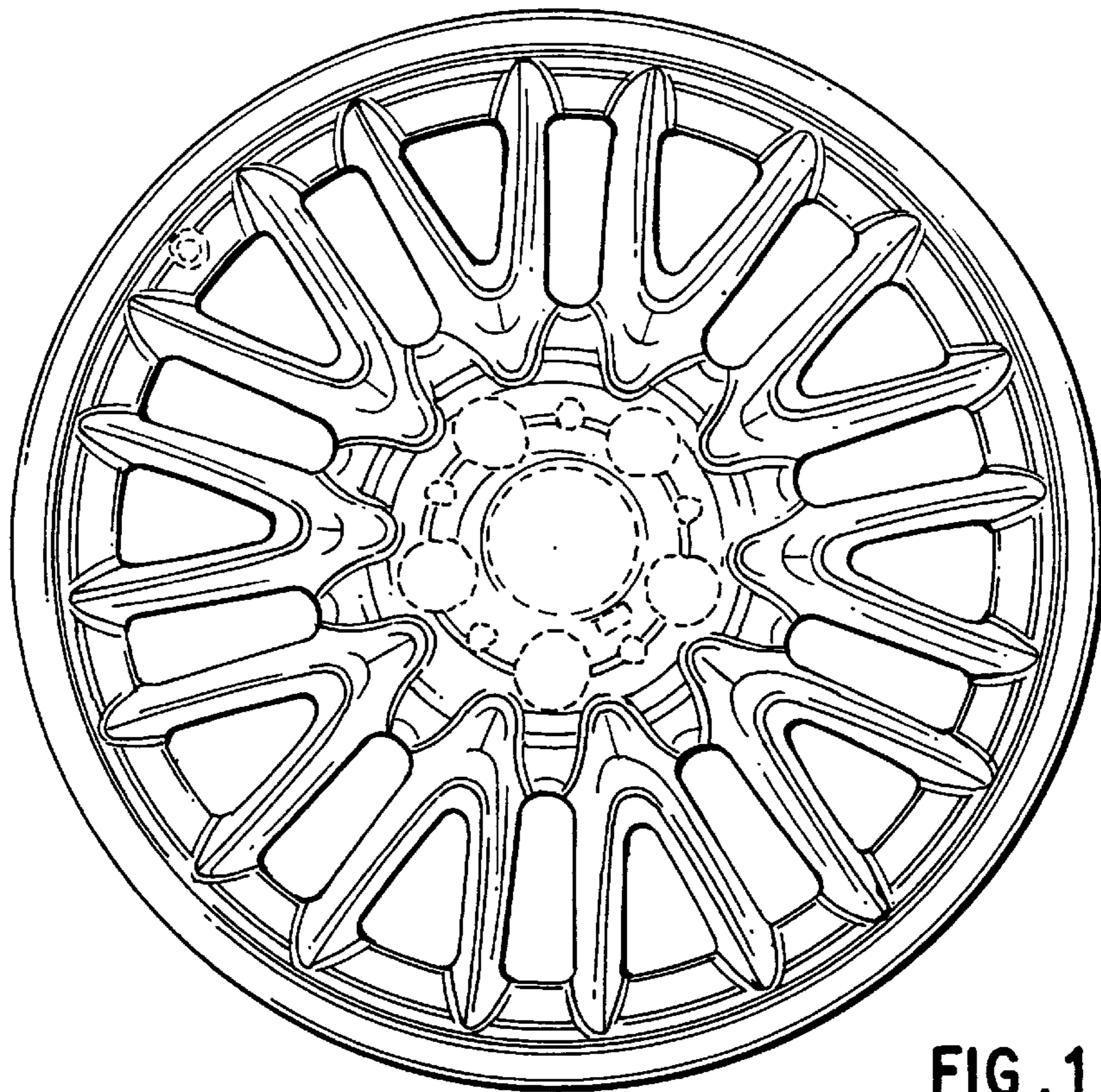


FIG. 1

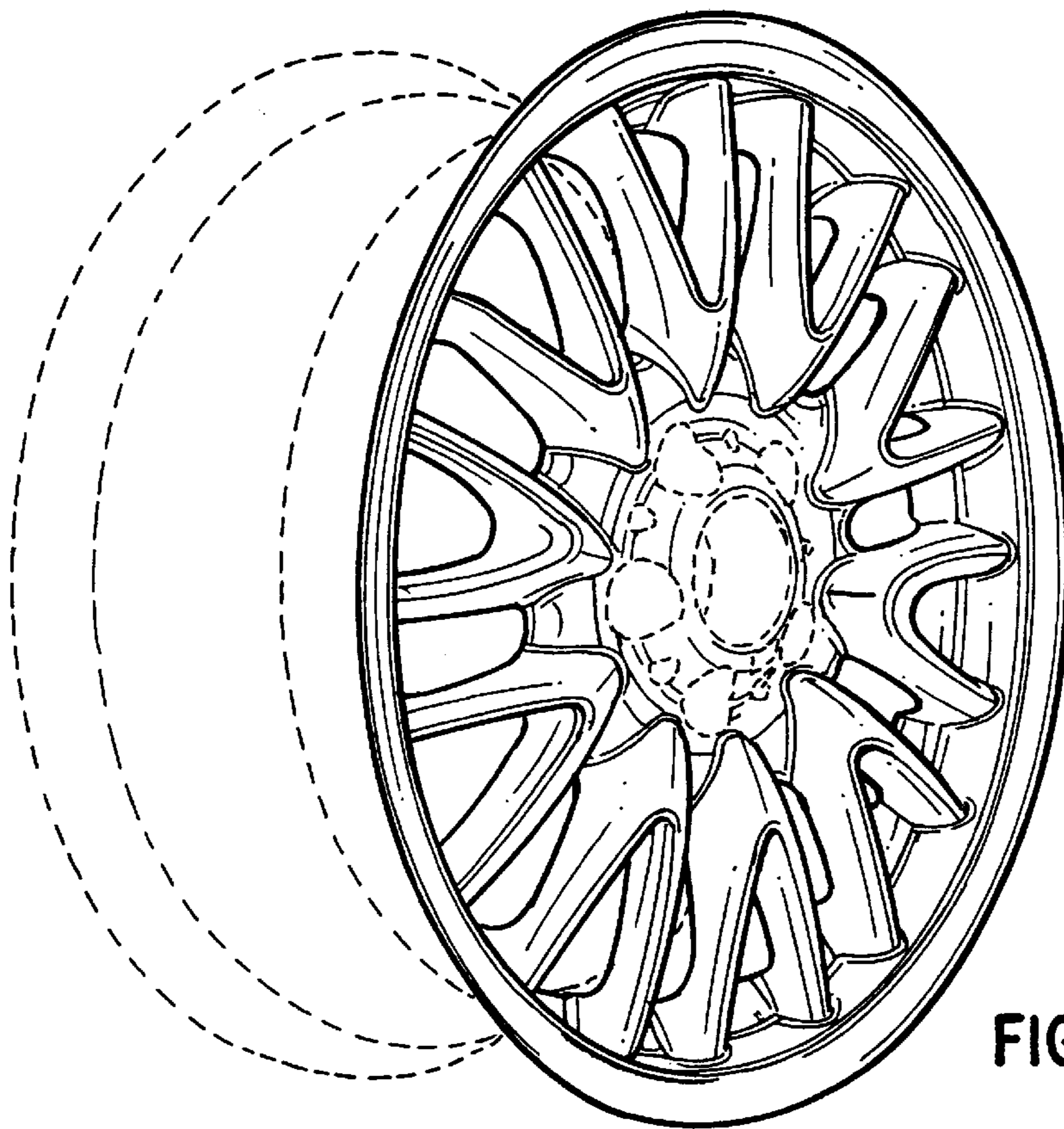


FIG. 2