



US00D438157S

(12) **United States Design Patent**  
**Donikoglu**

(10) **Patent No.:** **US D438,157 S**

(45) **Date of Patent:** **\*\* Feb. 27, 2001**

(54) **WHEEL**

(75) **Inventor:** **Melkon A. Donikoglu**, Southfield, MI (US)

(73) **Assignee:** **Ultra Wheel Co.**, Buena Park, CA (US)

(\*\*) **Term:** **14 Years**

(21) **Appl. No.:** **29/119,325**

(22) **Filed:** **Feb. 25, 2000**

(51) **LOC (7) Cl.** ..... **12-16**

(52) **U.S. Cl.** ..... **D12/209**

(58) **Field of Search** ..... D12/204-211;  
301/37.1, 64.1, 65

(56) **References Cited**

**U.S. PATENT DOCUMENTS**

D. 208,542	*	9/1967	Halibrand	.....	D12/211
D. 208,543	*	9/1967	Halibrand	.....	D12/211
D. 329,416	*	9/1992	Braungart et al.	.....	D12/209
D. 360,866	*	8/1995	Echazabal et al.	.....	D12/209

D. 388,046	*	12/1997	Roesianto	.....	D12/209
D. 391,216	*	2/1998	Bollmann et al.	.....	D12/209
D. 392,930	*	3/1998	Embrador	.....	D12/209
D. 416,534	*	11/1999	Couzyn et al.	.....	D12/211
D. 422,257	*	4/2000	Pruden	.....	D12/209

\* cited by examiner

*Primary Examiner*—Stacia Cadmus

(74) *Attorney, Agent, or Firm*—Pretty & Schroeder, P.C.

(57) **CLAIM**

The ornamental design for a wheel, as shown and described.

**DESCRIPTION**

FIG. 1 is a perspective view of a wheel showing my new design;

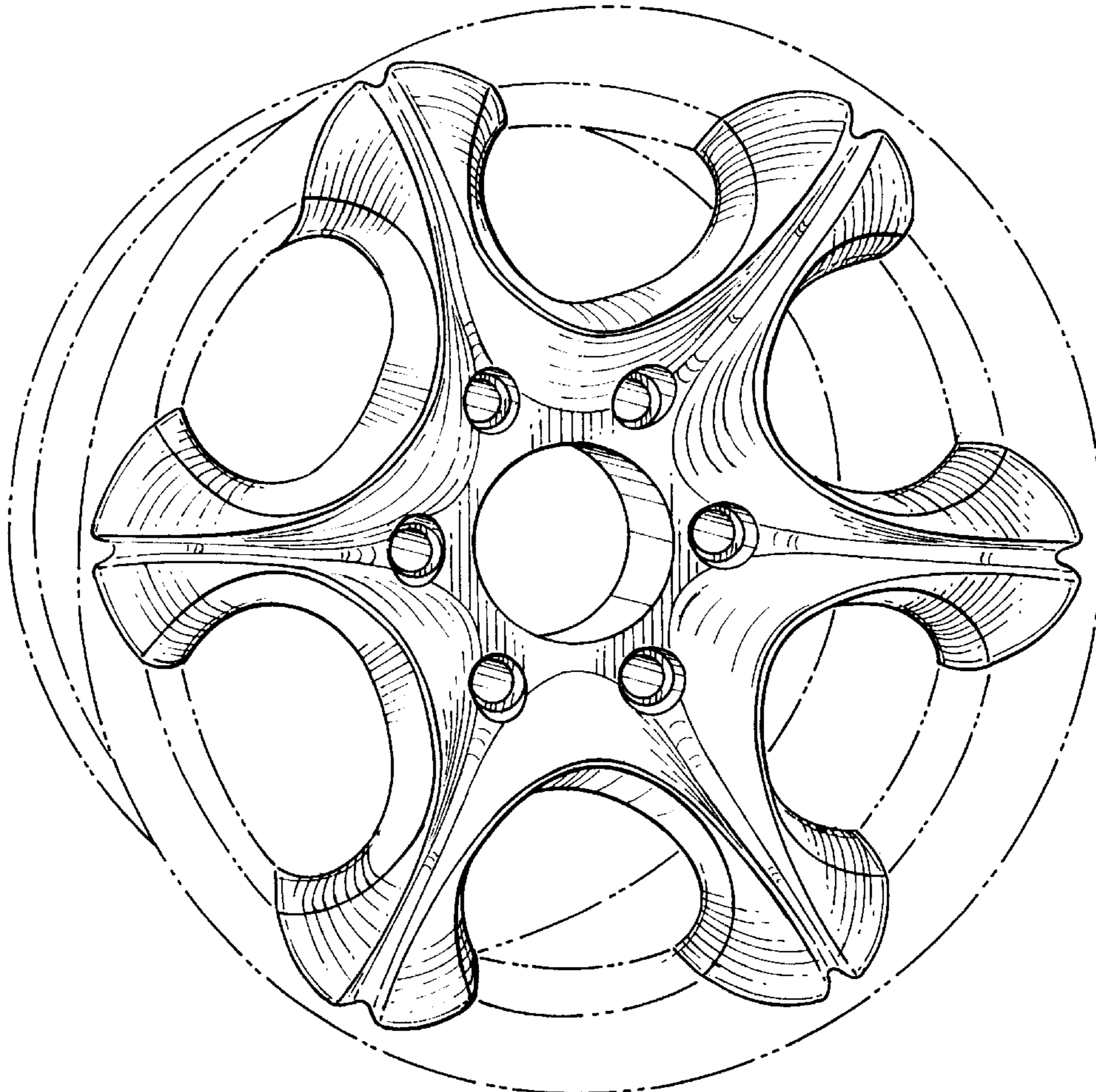
FIG. 2 is a reduced front elevational view thereof; and,

FIG. 3 is a cross-sectional view thereof taken along the line 3—3 in FIG. 2.

The broken line disclosure in FIGS. 1-3 is for illustrative purposes only and forms no part of the claimed design.

The rear of the wheel forms no part of the claimed design.

**1 Claim, 3 Drawing Sheets**



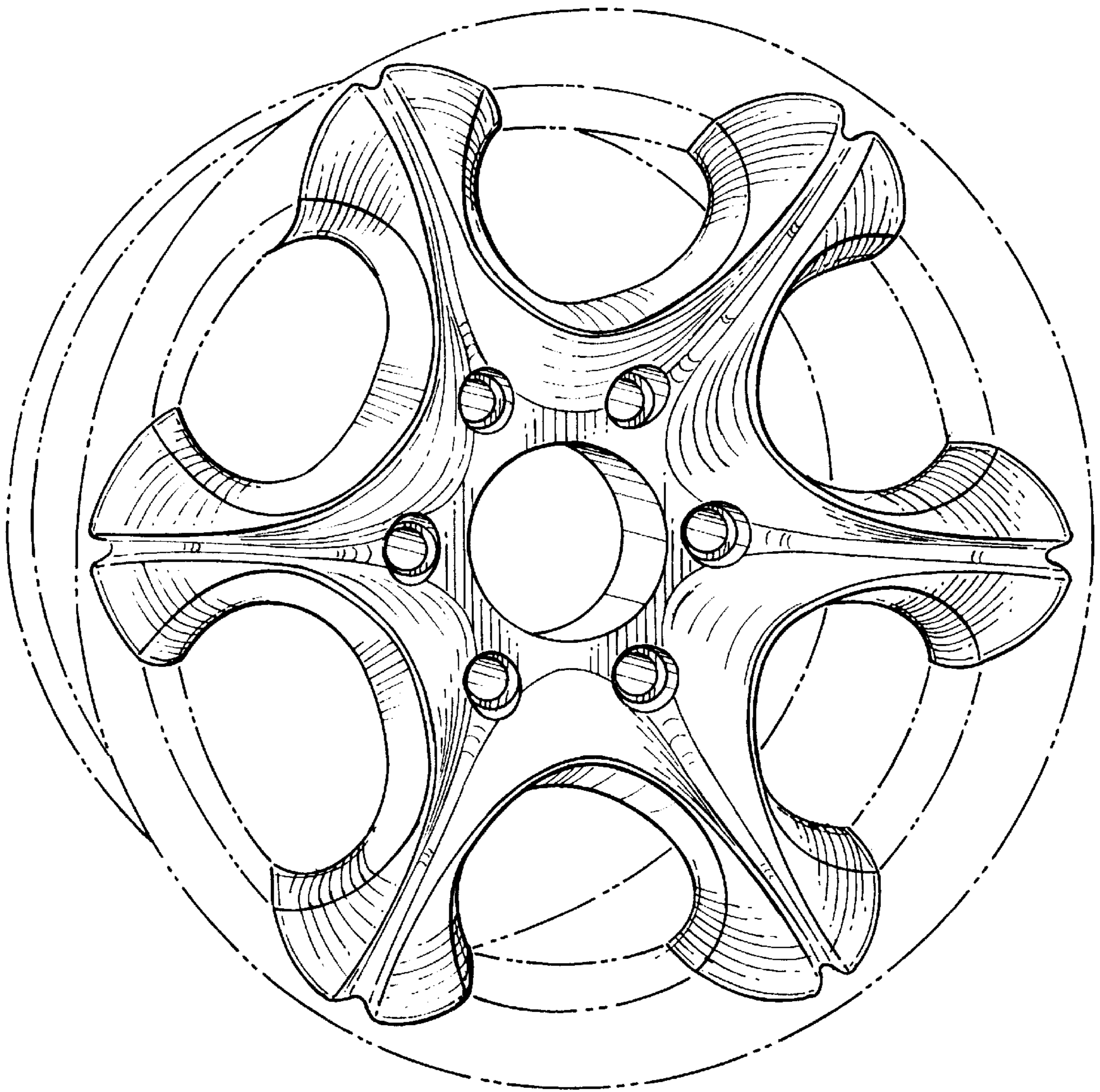
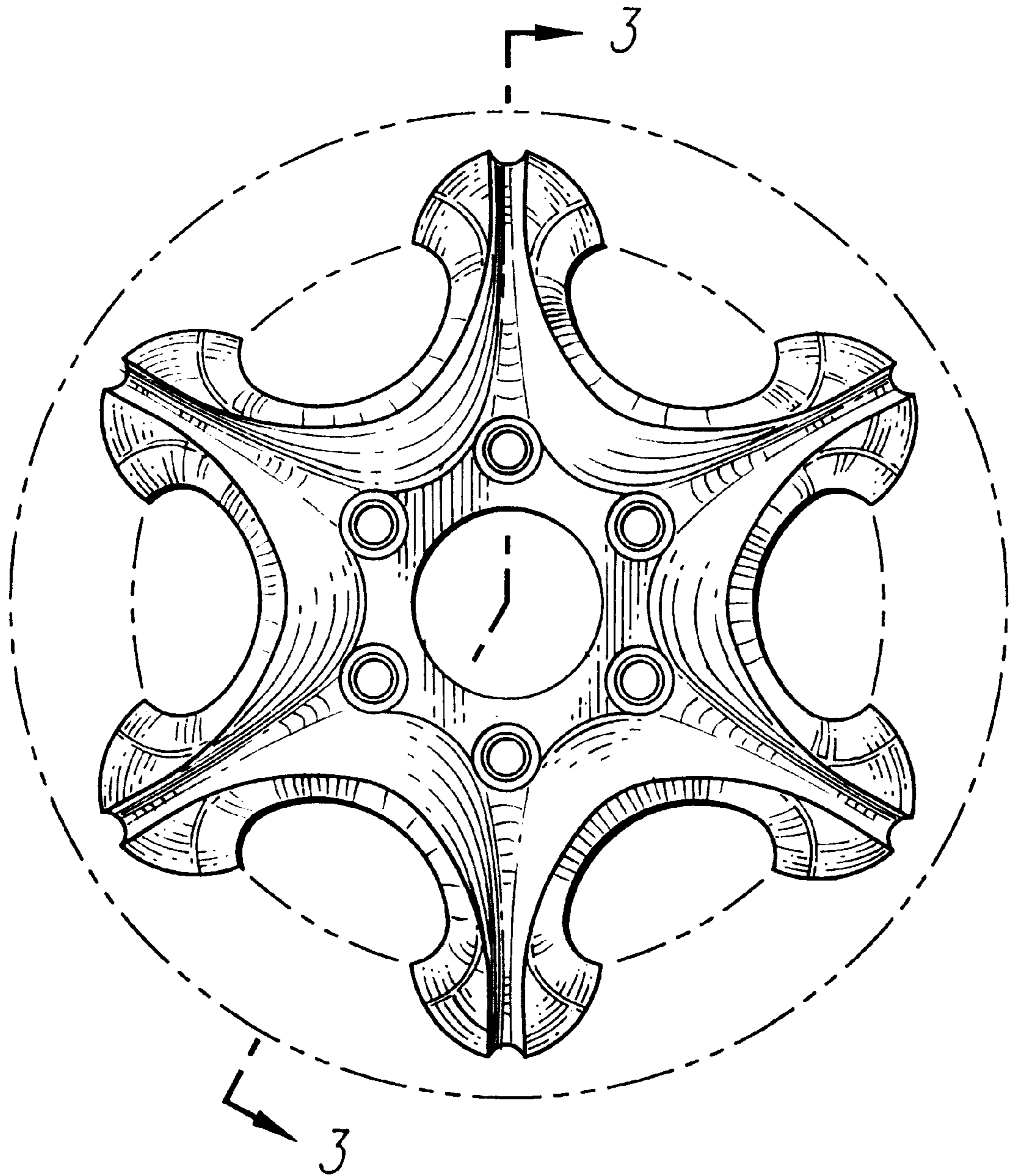


FIG. 1

FIG. 2



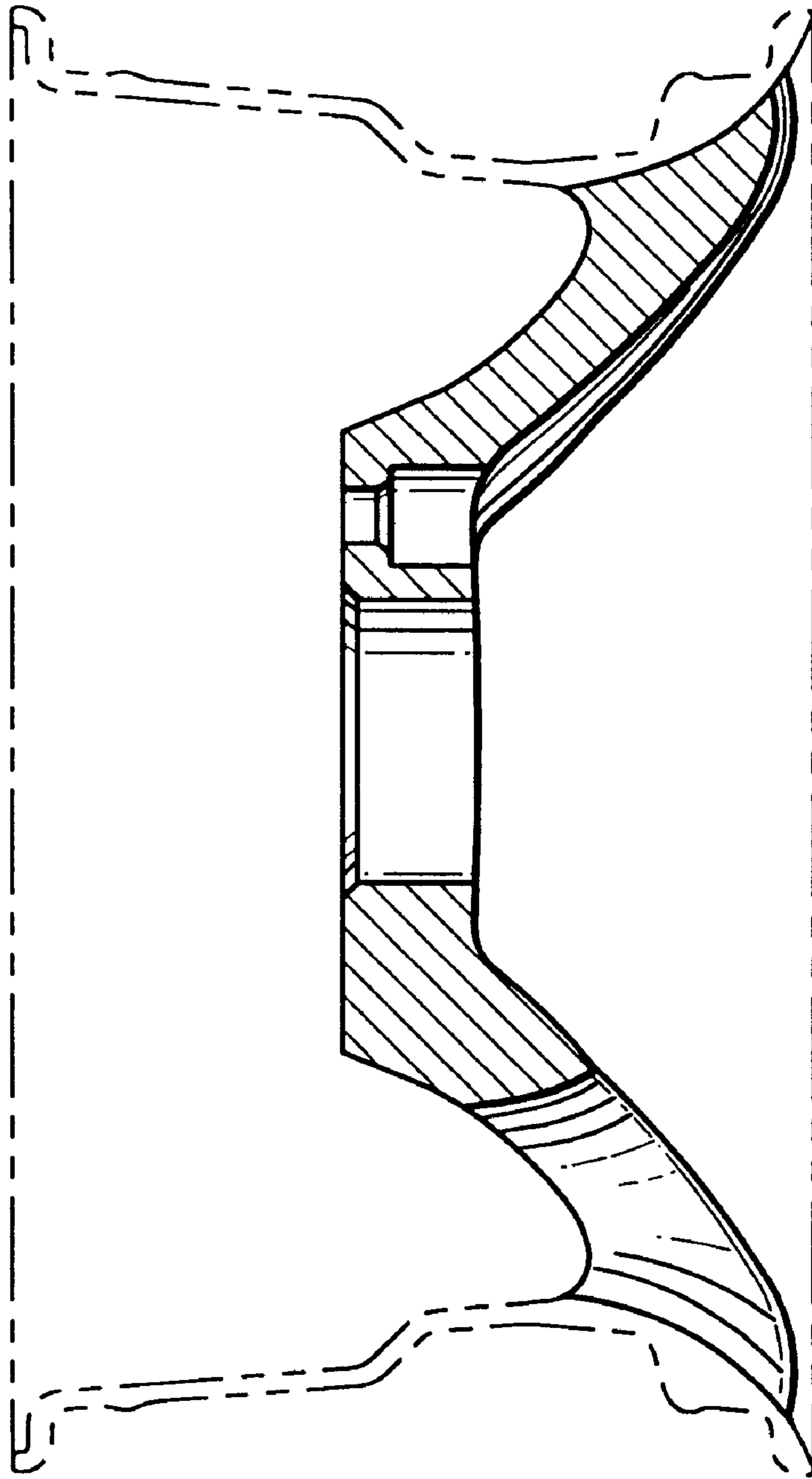


FIG. 3