



US00D438149S

(12) **United States Design Patent**
Baechler

(10) **Patent No.:** **US D438,149 S**

(45) **Date of Patent:** **** Feb. 27, 2001**

(54) **BABY STROLLER**

5,695,212 12/1997 Hinkston 280/642
5,863,061 1/1999 Ziegler et al. 280/642

(75) Inventor: **Philip A. Baechler**, Yakima, WA (US)

Primary Examiner—Kay H. Chin

(73) Assignee: **Racing Strollers, Inc.**, Yakima, WA (US)

(74) *Attorney, Agent, or Firm*—Seed IP Law Group PLLC

(**) Term: **14 Years**

(57) **CLAIM**

The ornamental design for a baby stroller, as shown and described.

(21) Appl. No.: **29/120,569**

DESCRIPTION

(22) Filed: **Mar. 20, 2000**

Related U.S. Application Data

(63) Continuation of application No. 29/110,544, filed on Sep. 8, 1999.

FIG. 1 is a first front perspective view of a baby stroller showing my new design.

(51) **LOC (7) Cl.** **12-12**

FIG. 2 is a second front perspective view thereof.

(52) **U.S. Cl.** **D12/133; D12/129**

FIG. 3 is a left side elevational view thereof, the right side elevational view being a mirror image thereto.

(58) **Field of Search** D12/128–133;
280/62, 641, 642, 643, 647, 650, 657, 658,
47.38, 30, 655.1

FIG. 4 is a bottom plan view thereof.

FIG. 5 is a front elevational view thereof.

FIG. 6 is a rear elevational view thereof.

FIG. 7 is a front perspective view of a second embodiment thereof.

FIG. 8 is a left side elevational view thereof, the right side elevational view being a mirror image thereto.

(56) **References Cited**

U.S. PATENT DOCUMENTS

D. 297,525	9/1988	Baechler	D12/129
D. 370,194	5/1996	Baechler et al.	D12/129
D. 370,438	6/1996	Haut et al.	D12/129
D. 371,094	6/1996	Hinkston	D12/129
D. 385,514	10/1997	Eyman et al.	D12/129
D. 397,316	8/1998	Baechler	D12/129
D. 409,531	5/1999	Baechler	D12/129
4,953,880	9/1990	Sudakoff et al.	280/47.38
5,188,389	2/1993	Baechler et al.	280/650
5,460,399	10/1995	Baechler et al.	280/650
5,468,009	11/1995	Eyman et al.	280/650
5,476,275	12/1995	Baechler et al.	280/47.38
5,522,614	6/1996	Eyman et al.	280/642
5,536,033	7/1996	Hinkston	280/642
5,558,357	9/1996	Wang	280/647
5,562,300	10/1996	Nelson	280/655.1
5,590,896	1/1997	Eichhorn	280/642
5,611,560	3/1997	Thimmig	280/642
5,669,624	9/1997	Eichhorn	280/642
5,683,096	11/1997	Zonka	280/642

FIG. 9 is a bottom plan view thereof.

FIG. 10 is a front elevational view thereof.

FIG. 11 is a rear elevational view thereof.

FIG. 12 is a front perspective view of a third alternative embodiment thereof.

FIG. 13 is a left side elevational view thereof, the right side elevational view being a mirror image thereto.

FIG. 14 is a bottom plan view thereof.

FIG. 15 is a front elevational view thereof.

FIG. 16 is a rear elevational view thereof.

FIG. 17 is a front perspective view of a fourth embodiment thereof.

FIG. 18 is a left side elevational view thereof, the right side elevational view being a mirror image thereto.

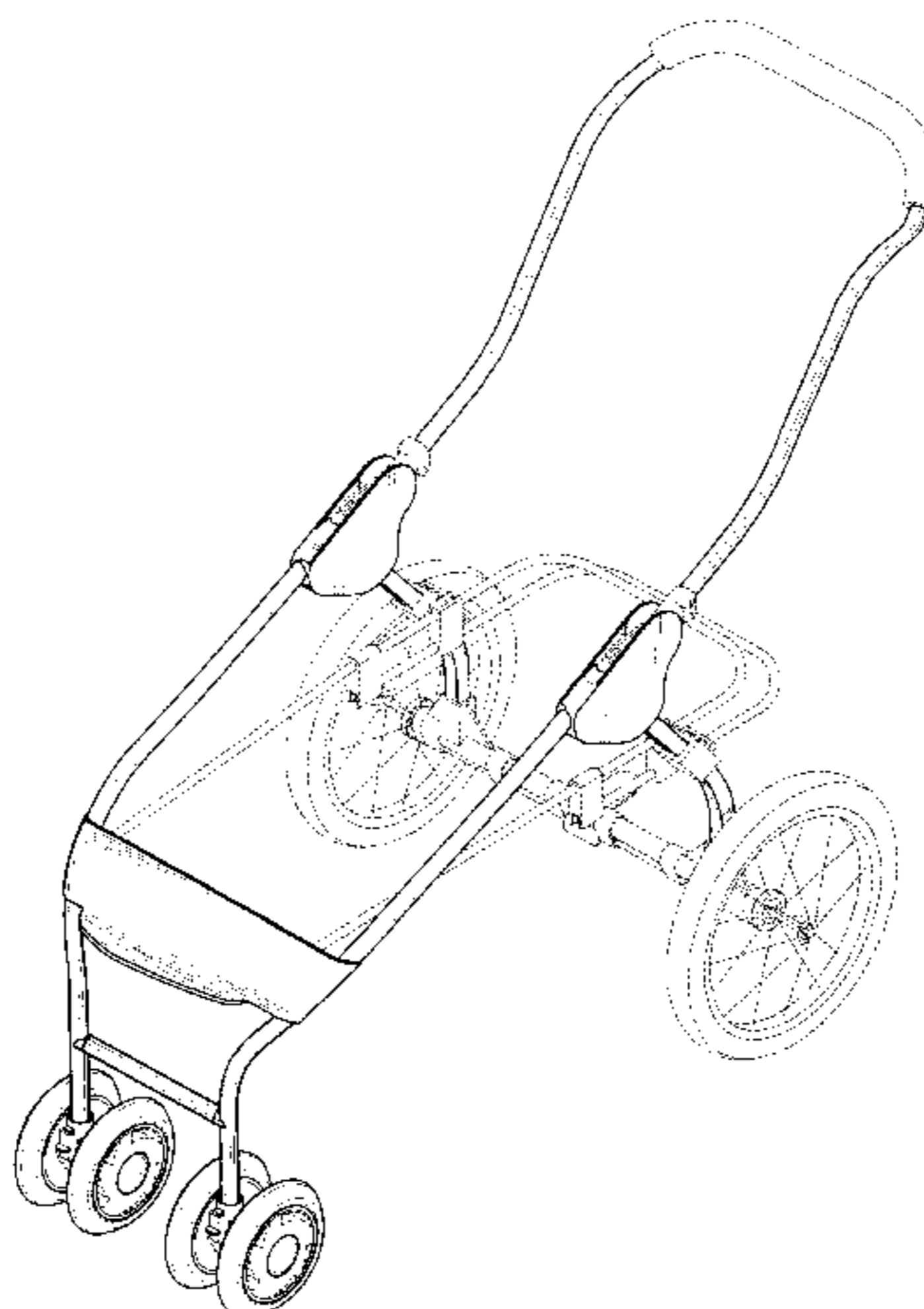
FIG. 19 is a bottom plan view thereof.

FIG. 20 is a front elevational view thereof; and,

FIG. 21 is a rear elevational view thereof.

The broken lines are for illustrative purposes only and form no part of the claimed design.

1 Claim, 13 Drawing Sheets



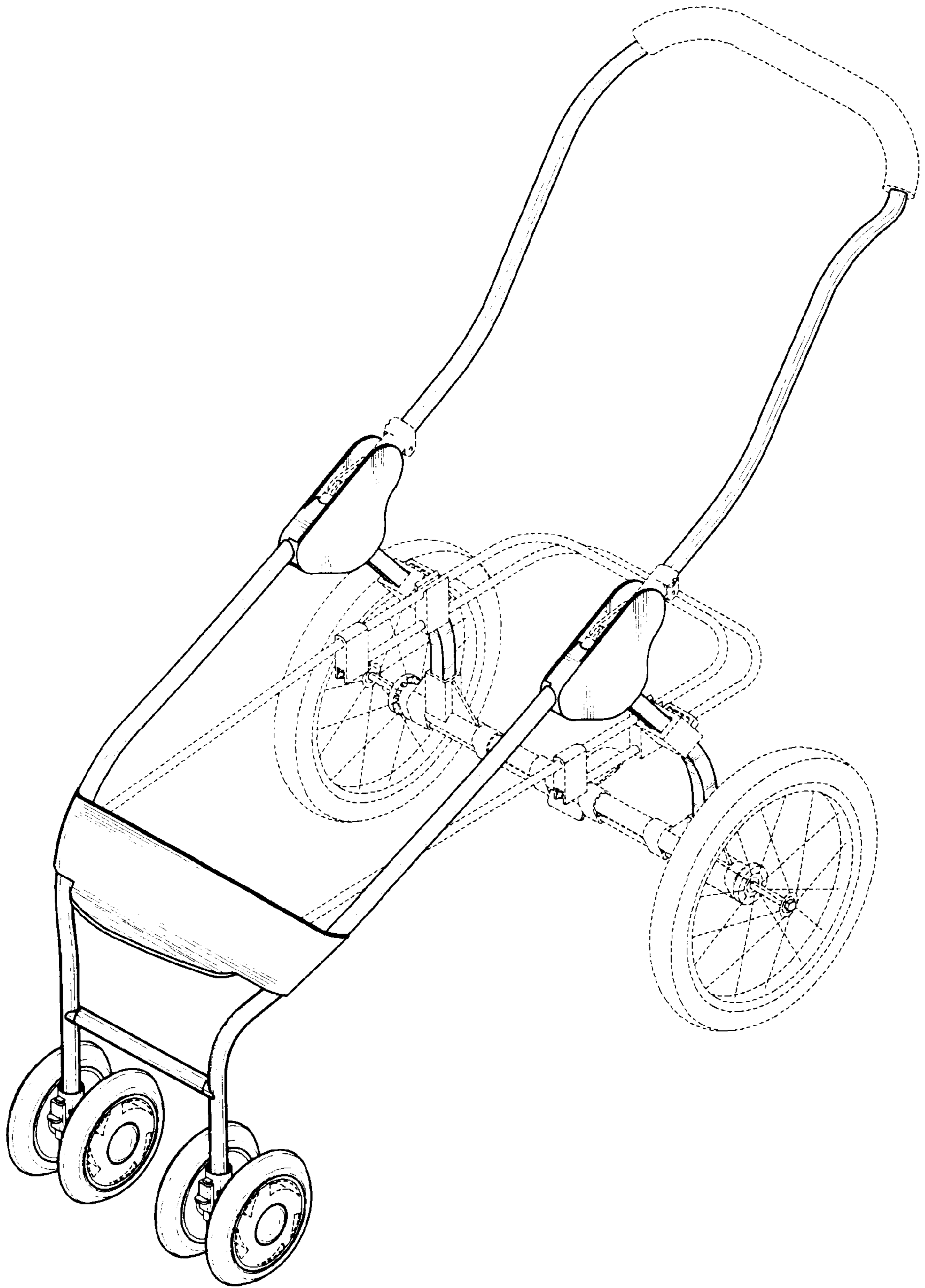


Fig. 1

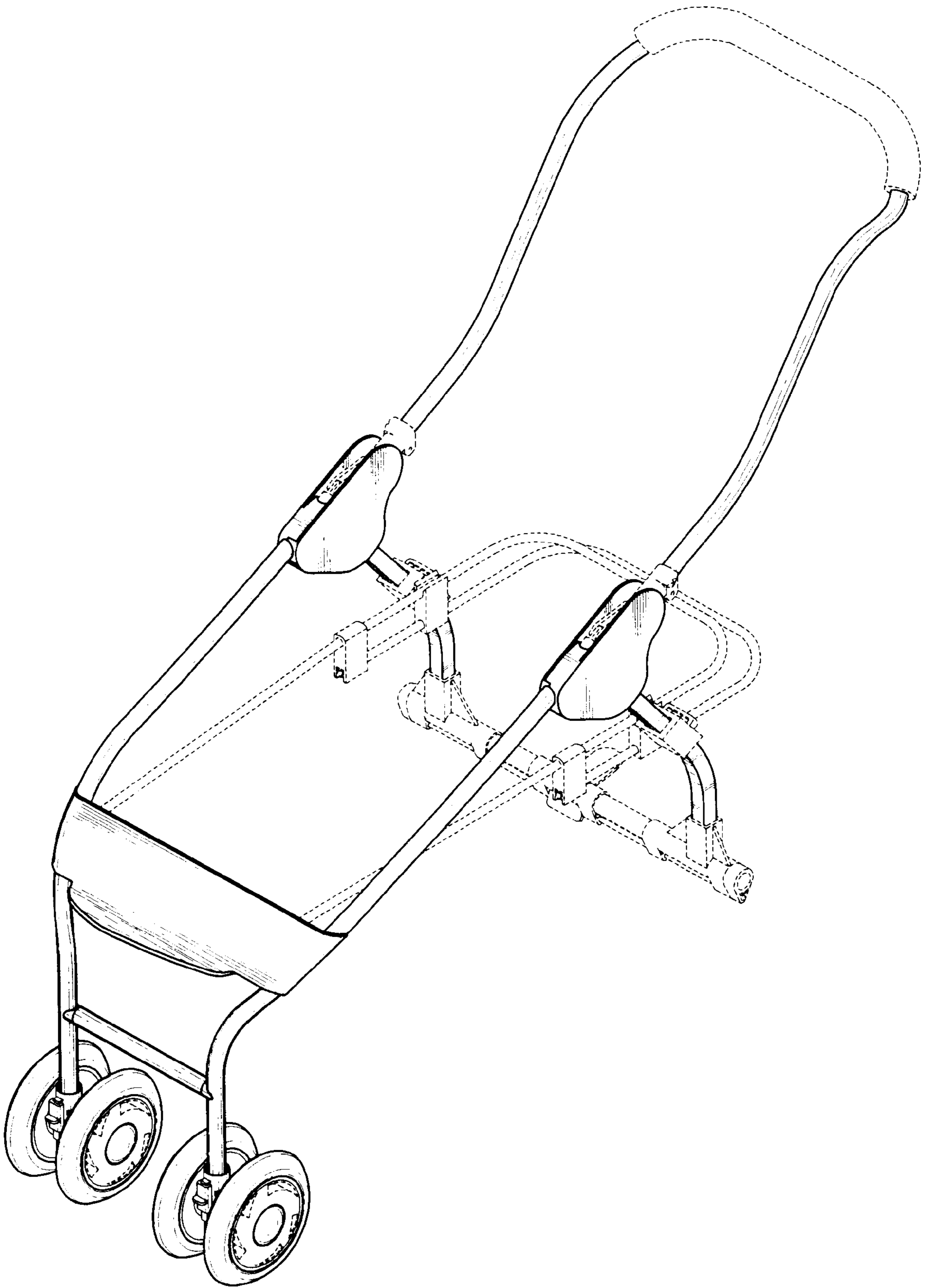


Fig. 2

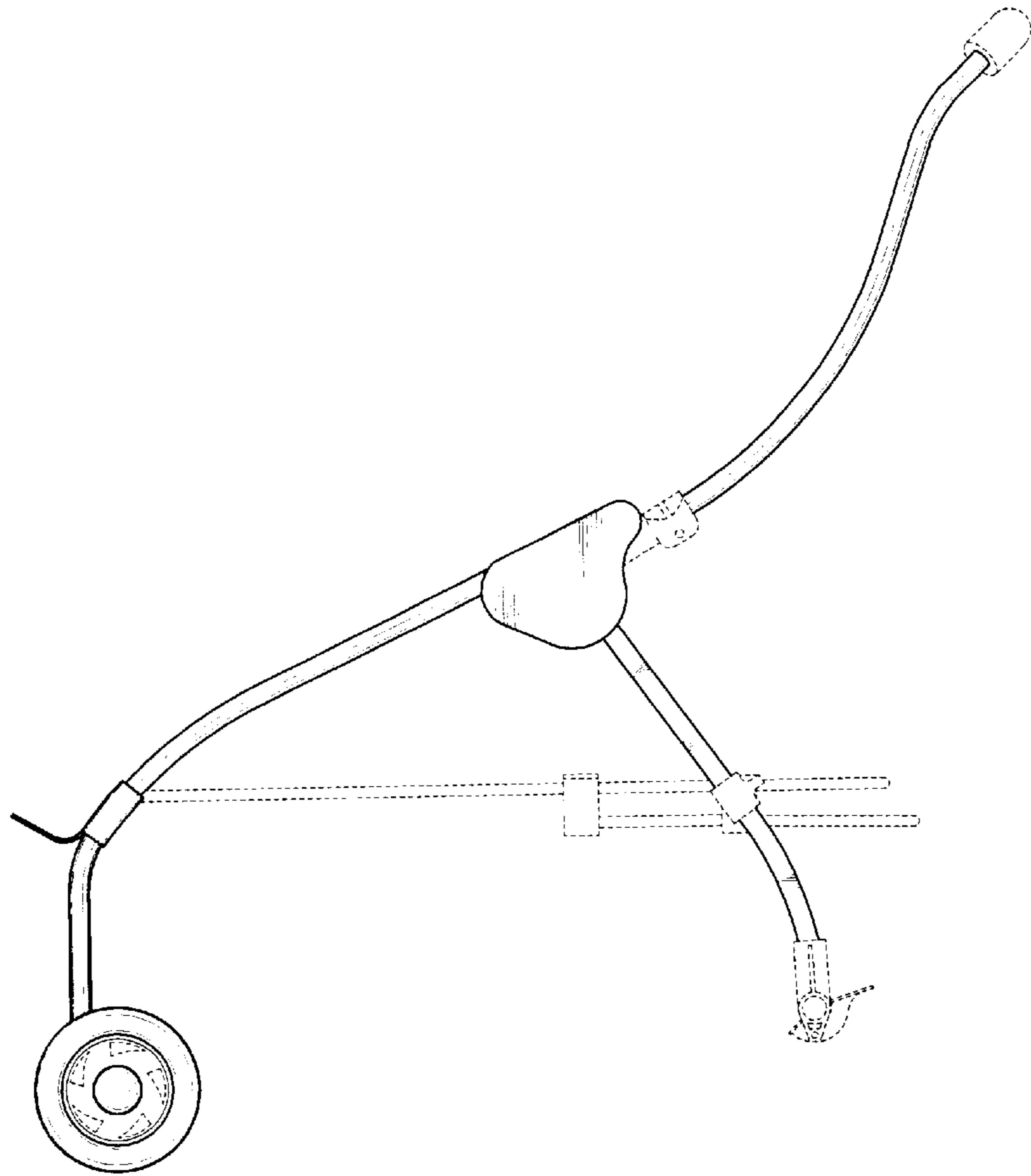


Fig. 3

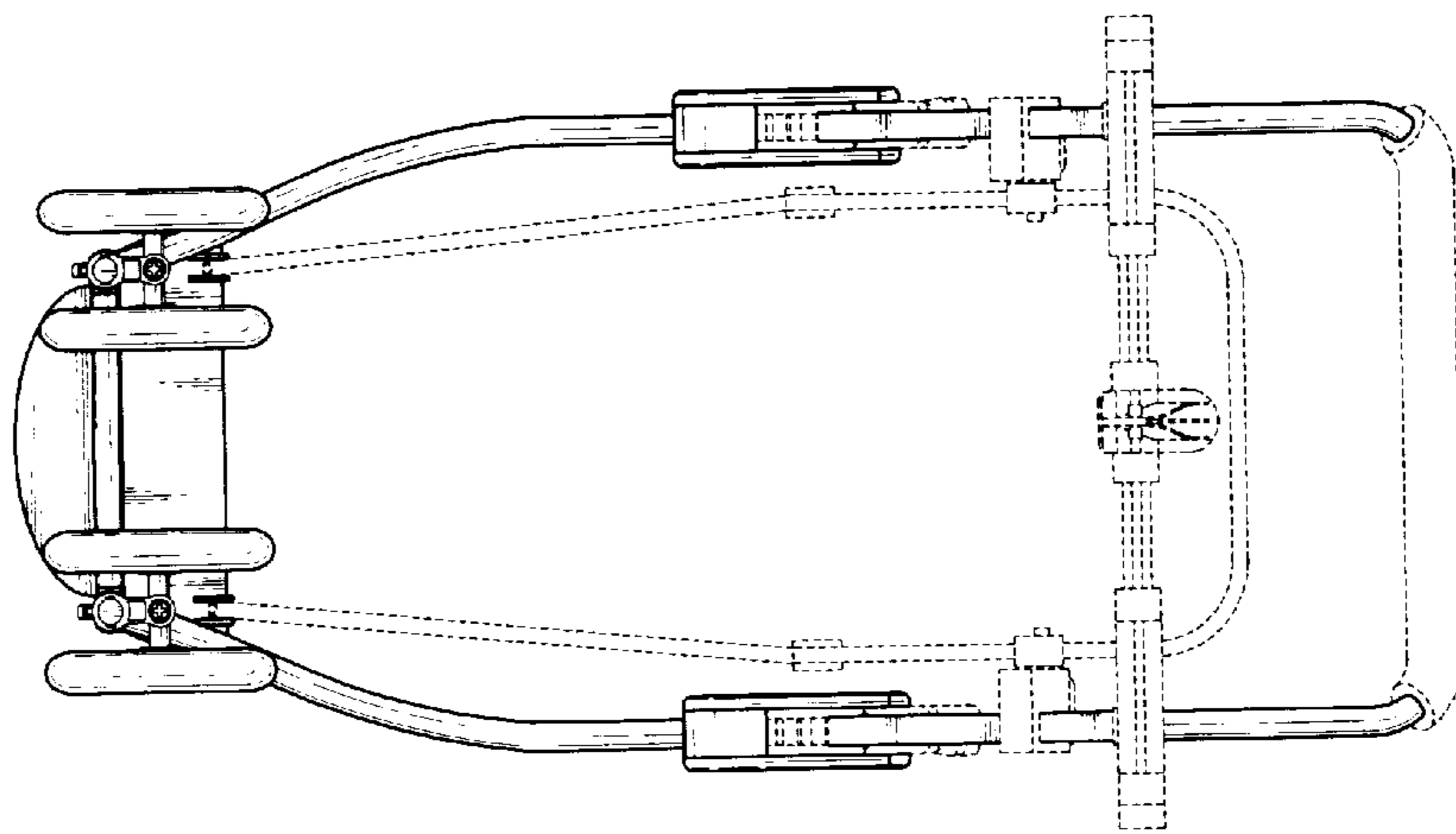


Fig. 4

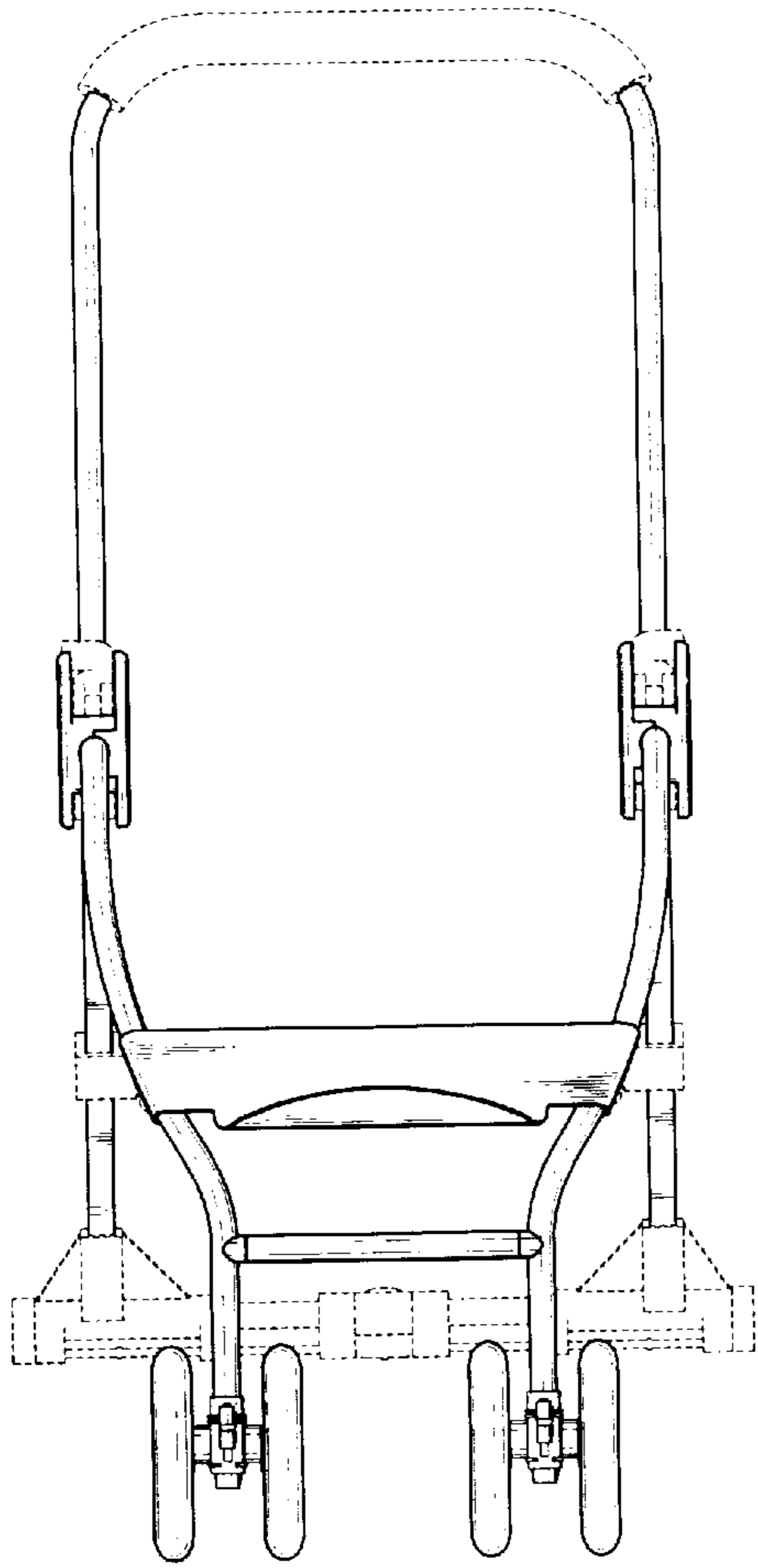


Fig. 5

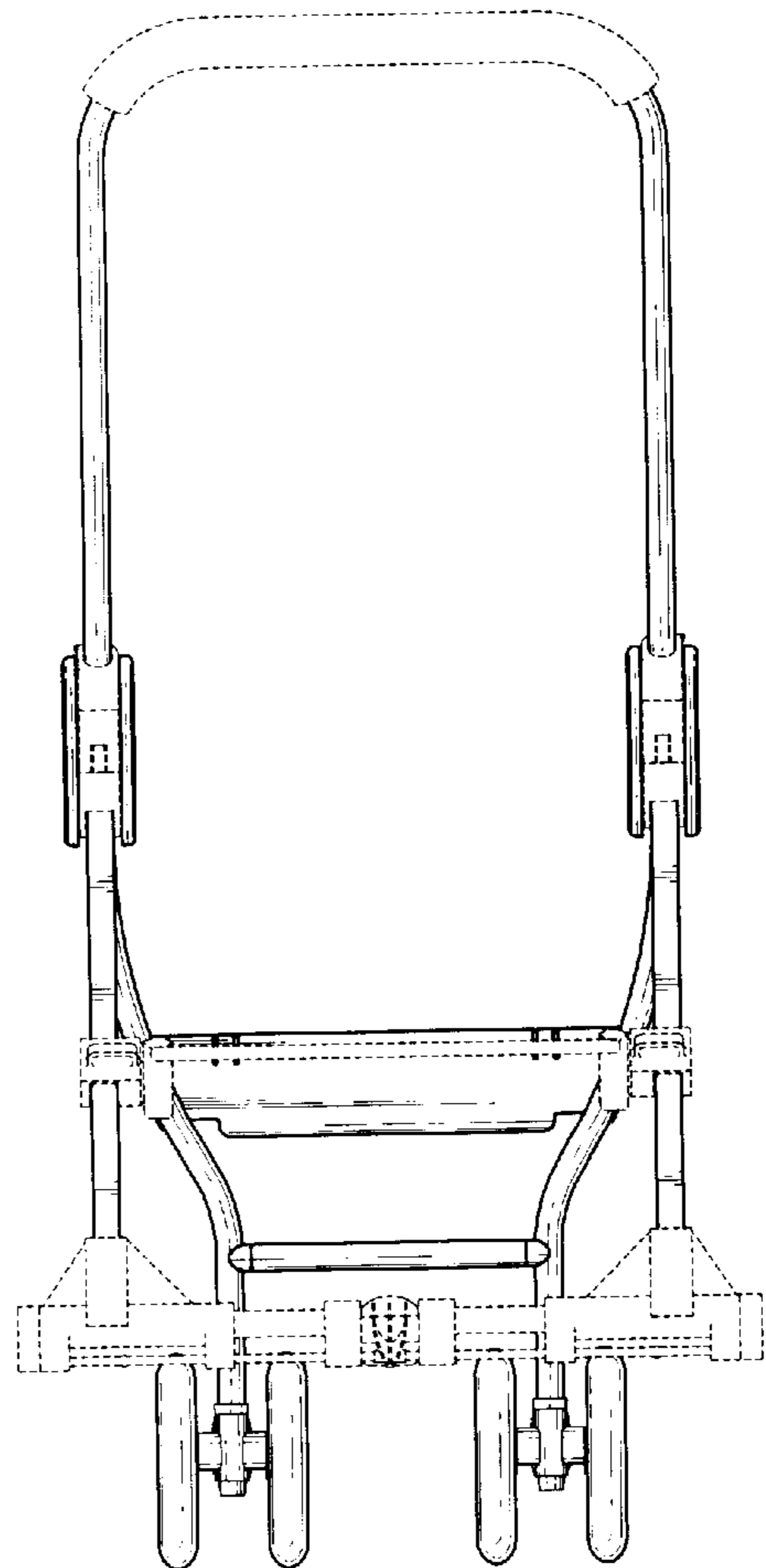


Fig. 6

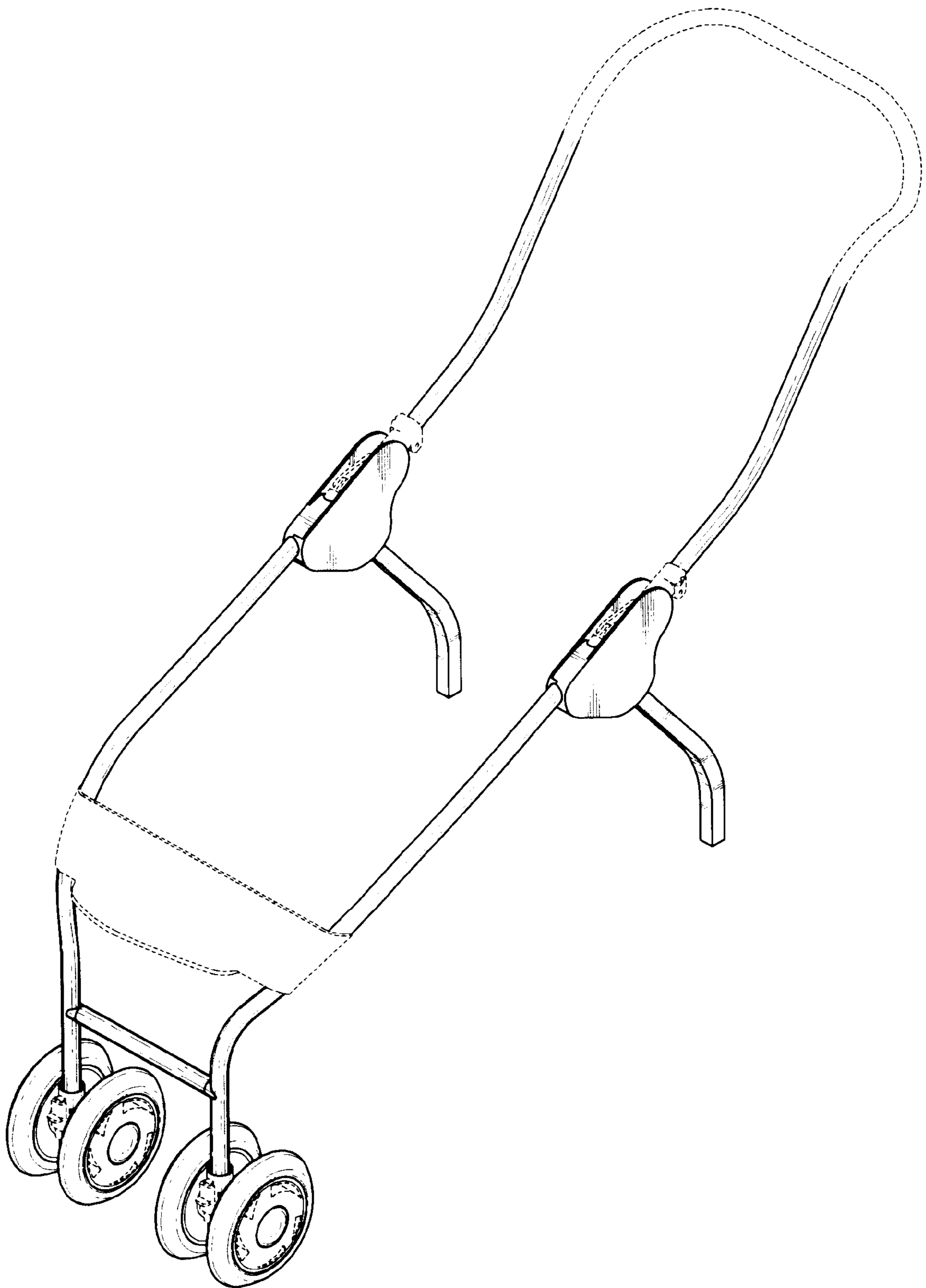


Fig. 7

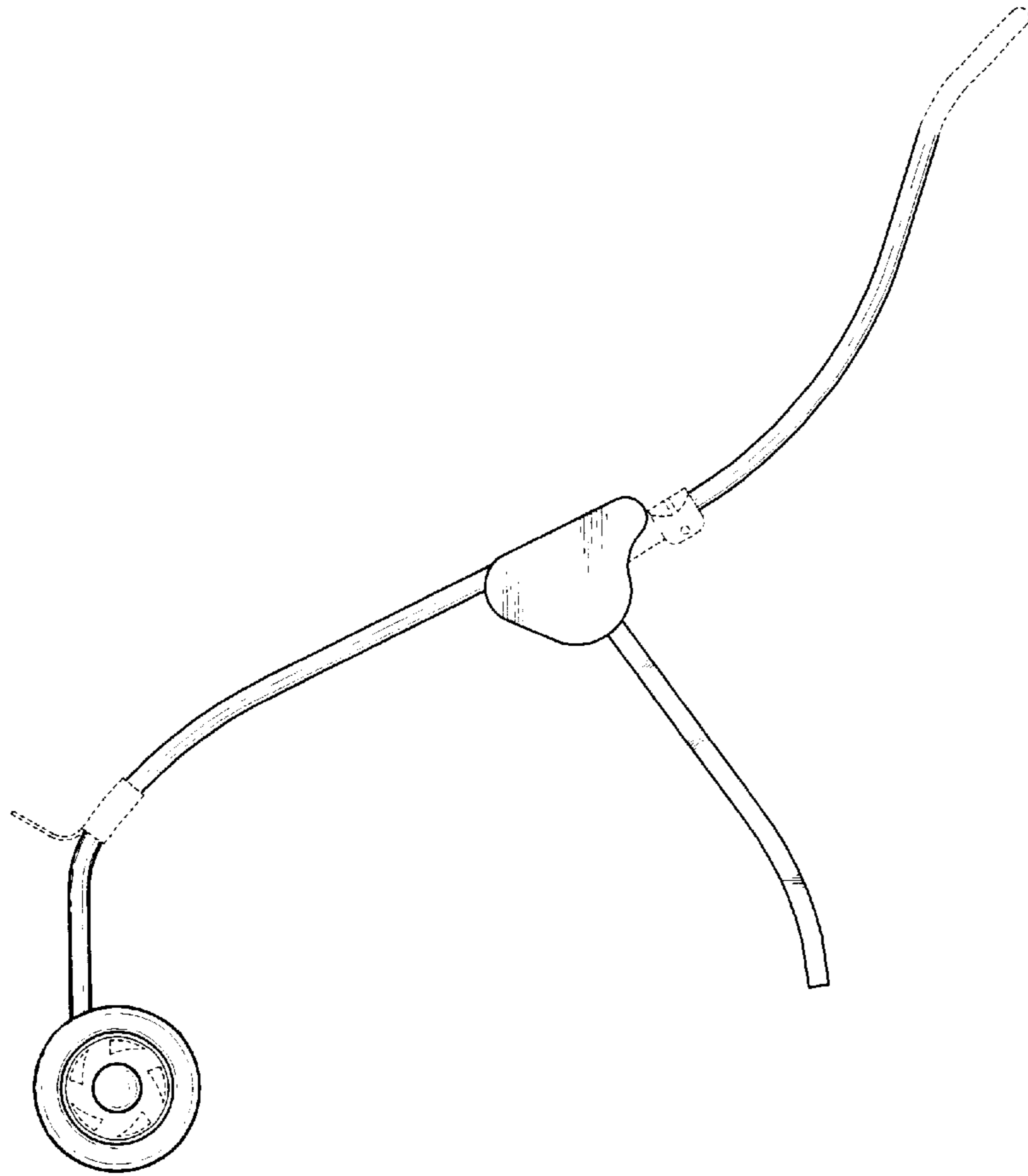


Fig. 8

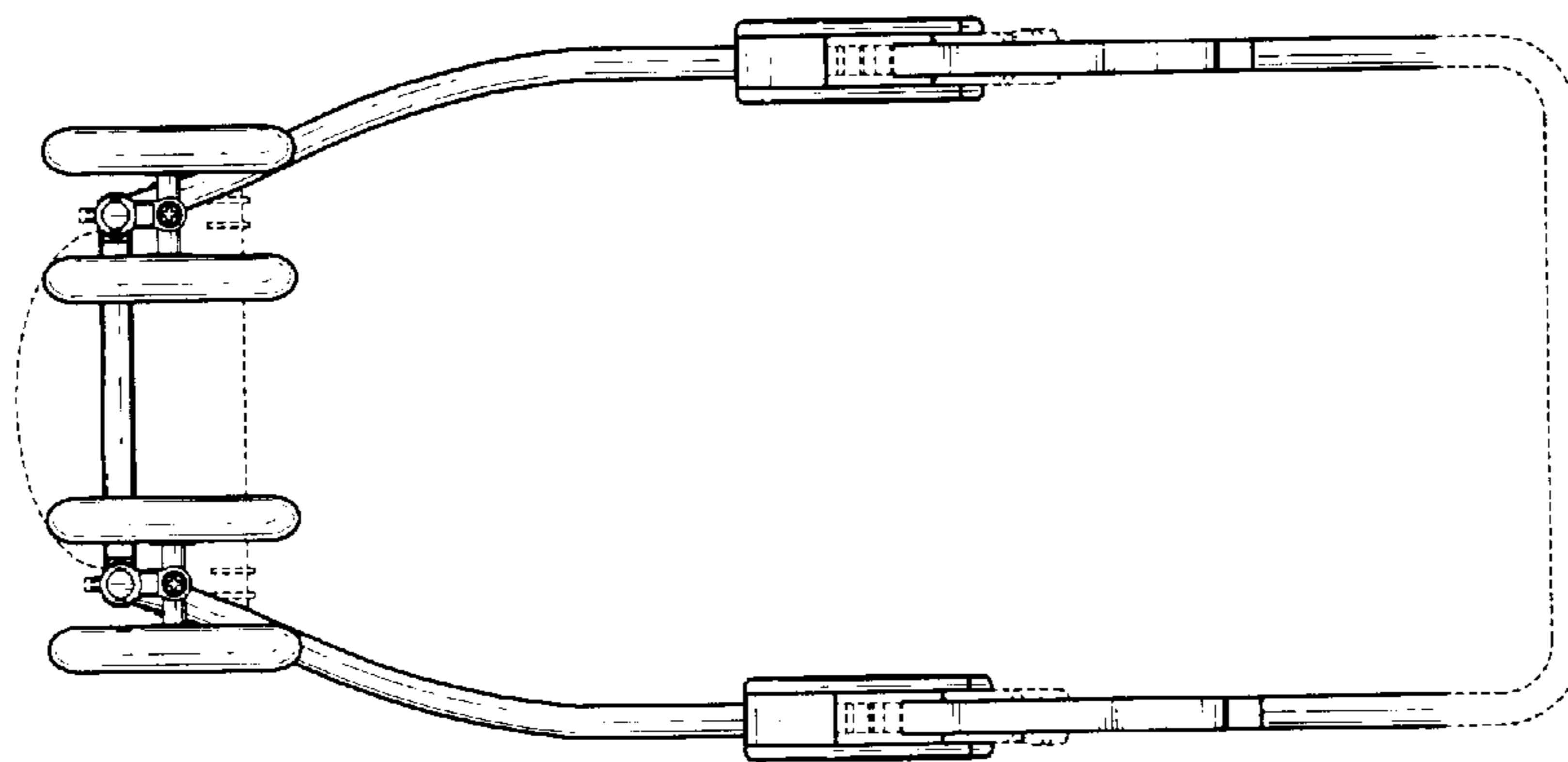


Fig. 9

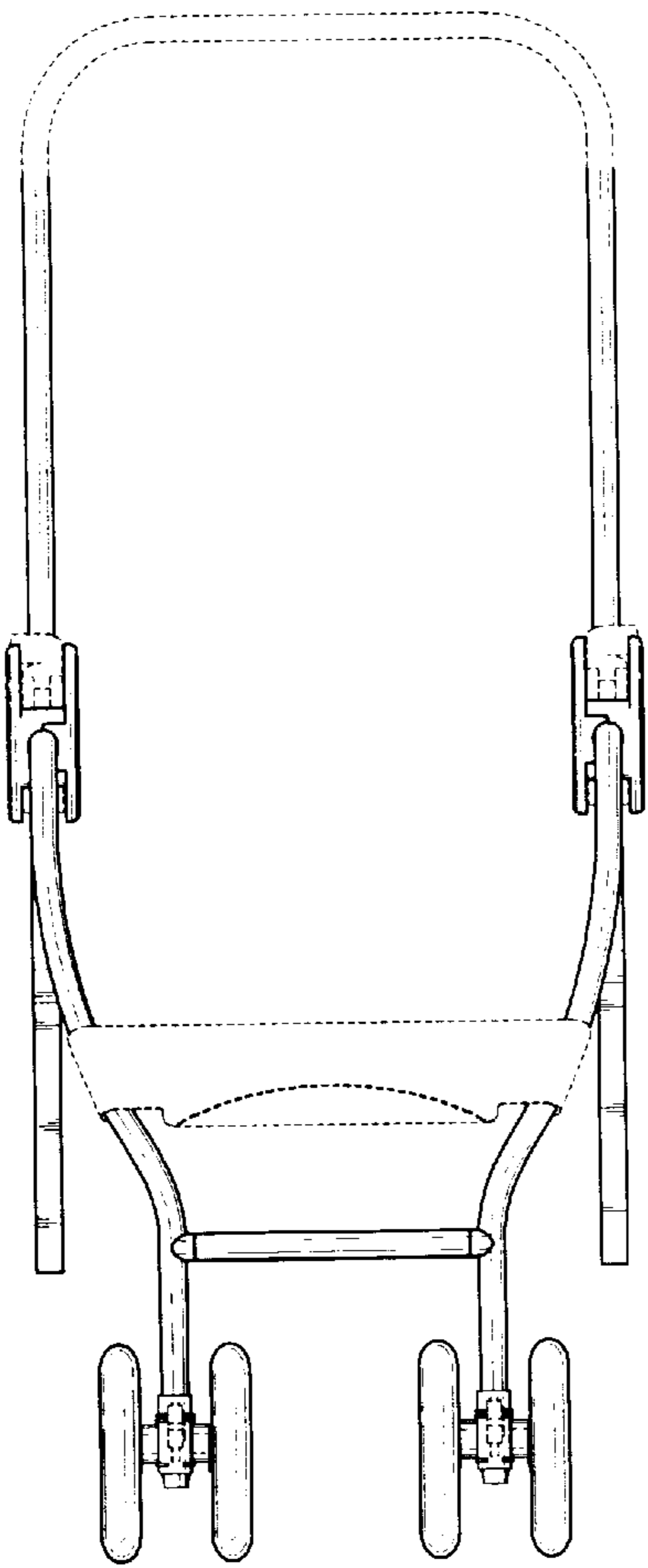


Fig. 10

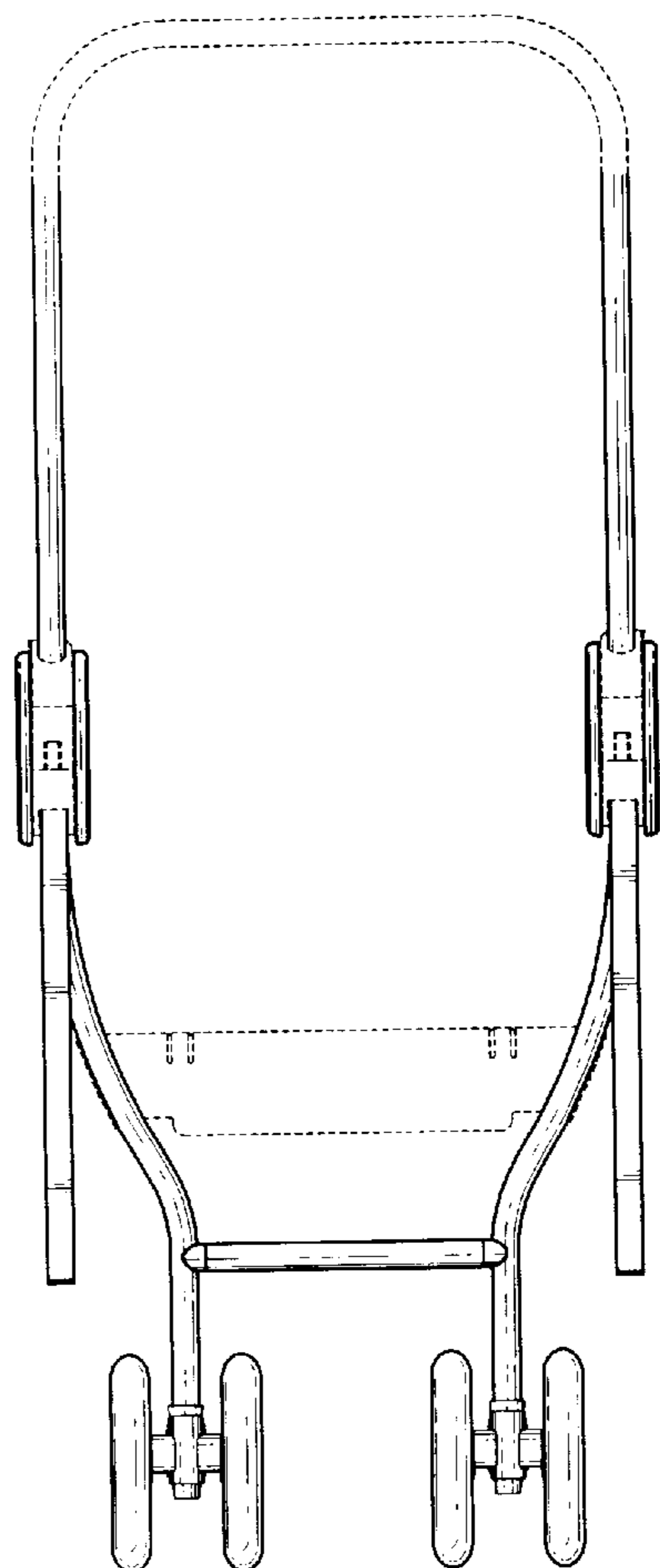


Fig. 11

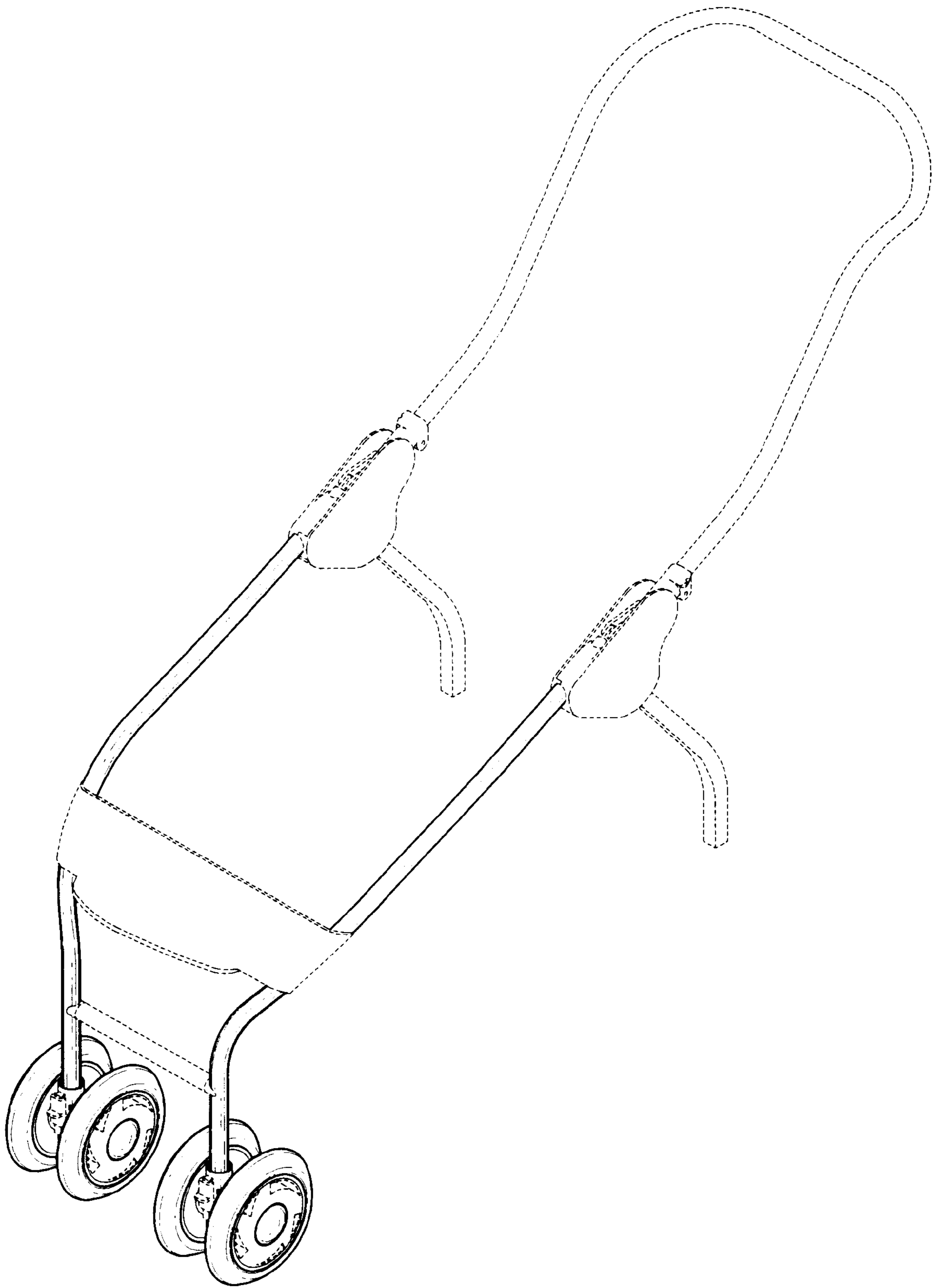


Fig. 12

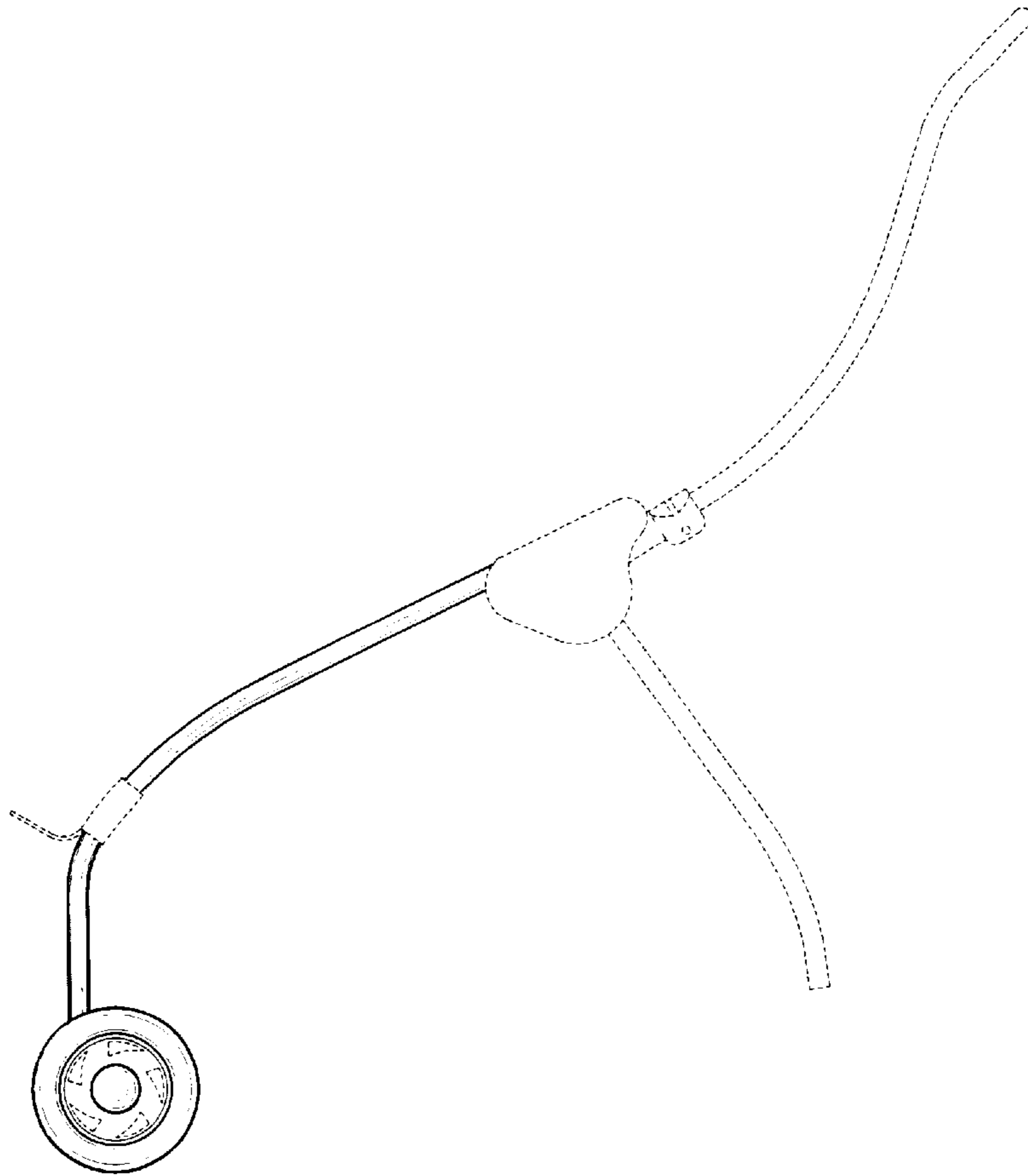


Fig. 13

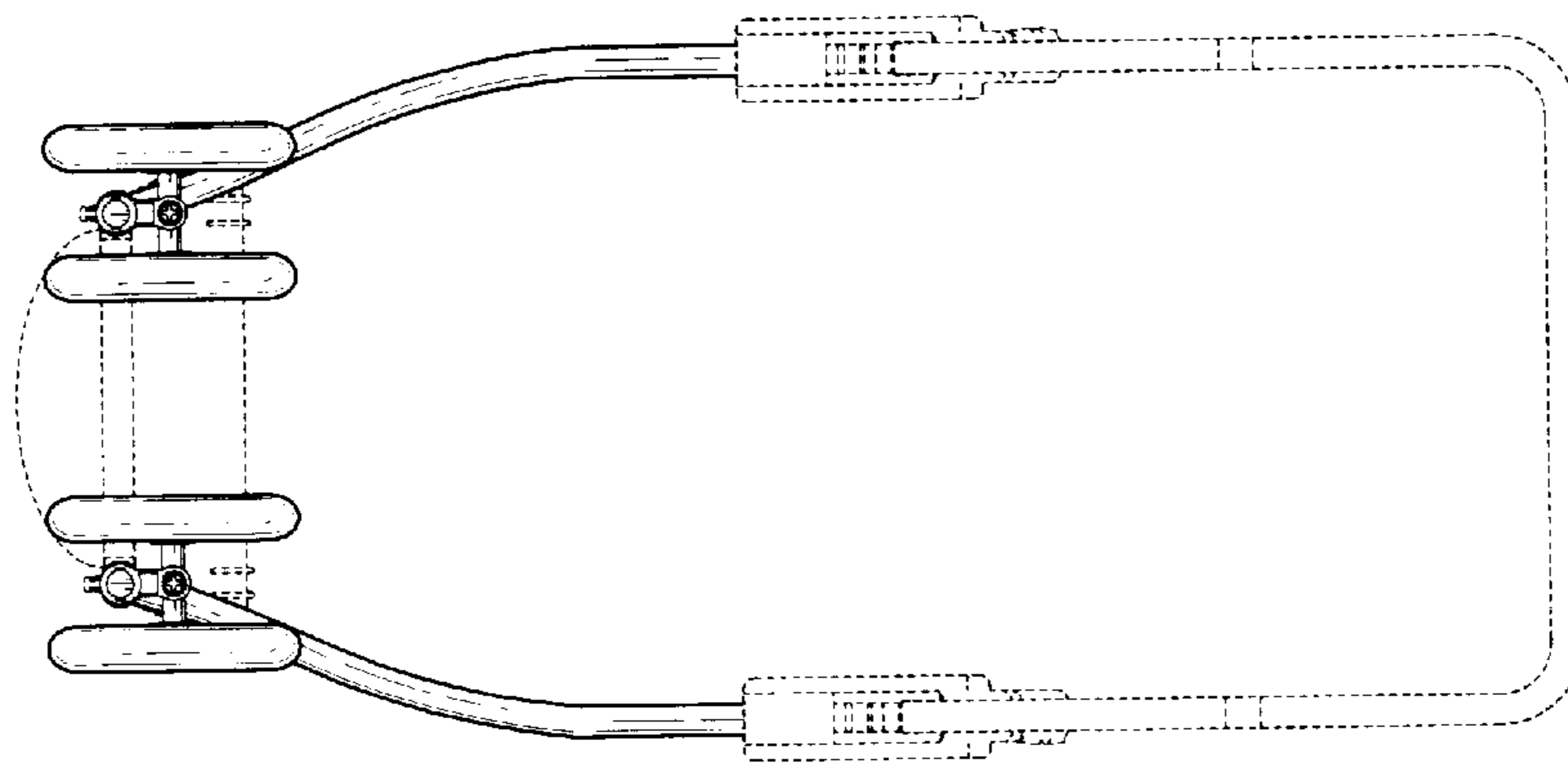


Fig. 14

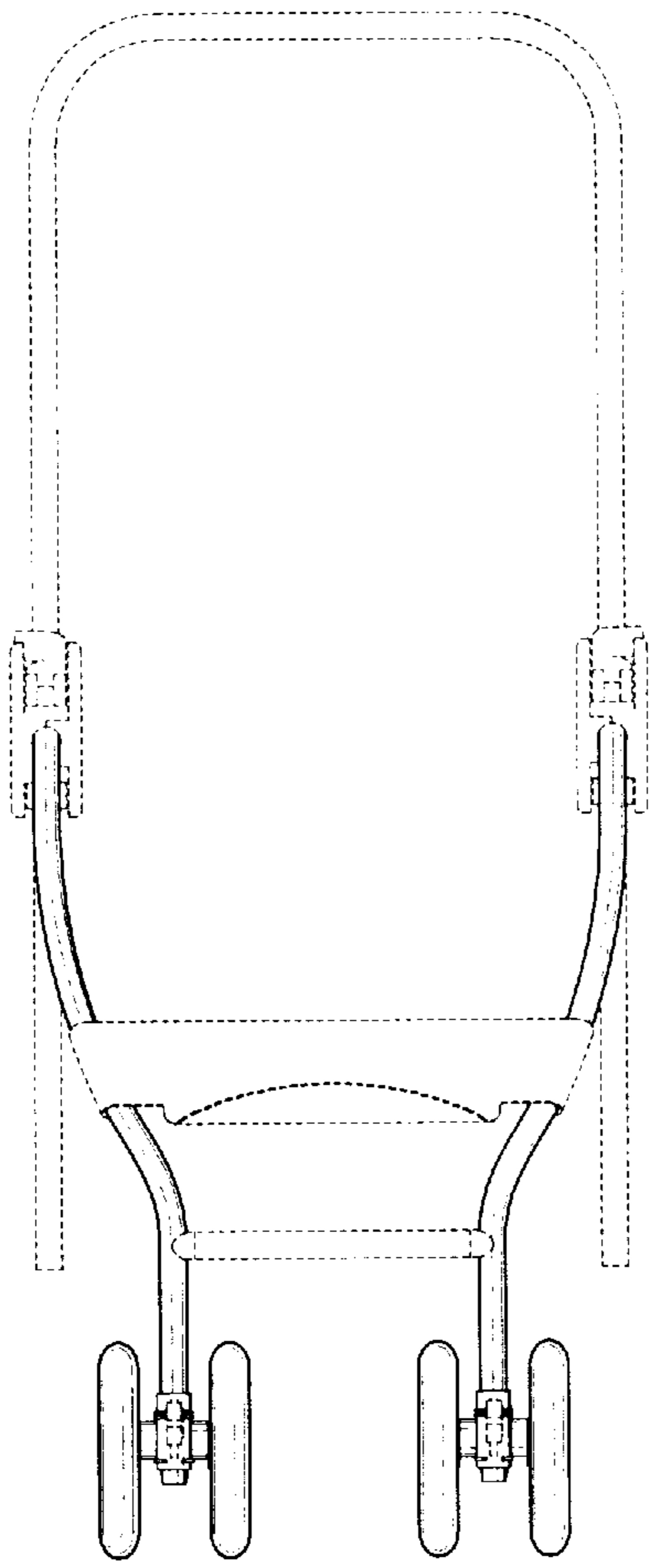


Fig. 15

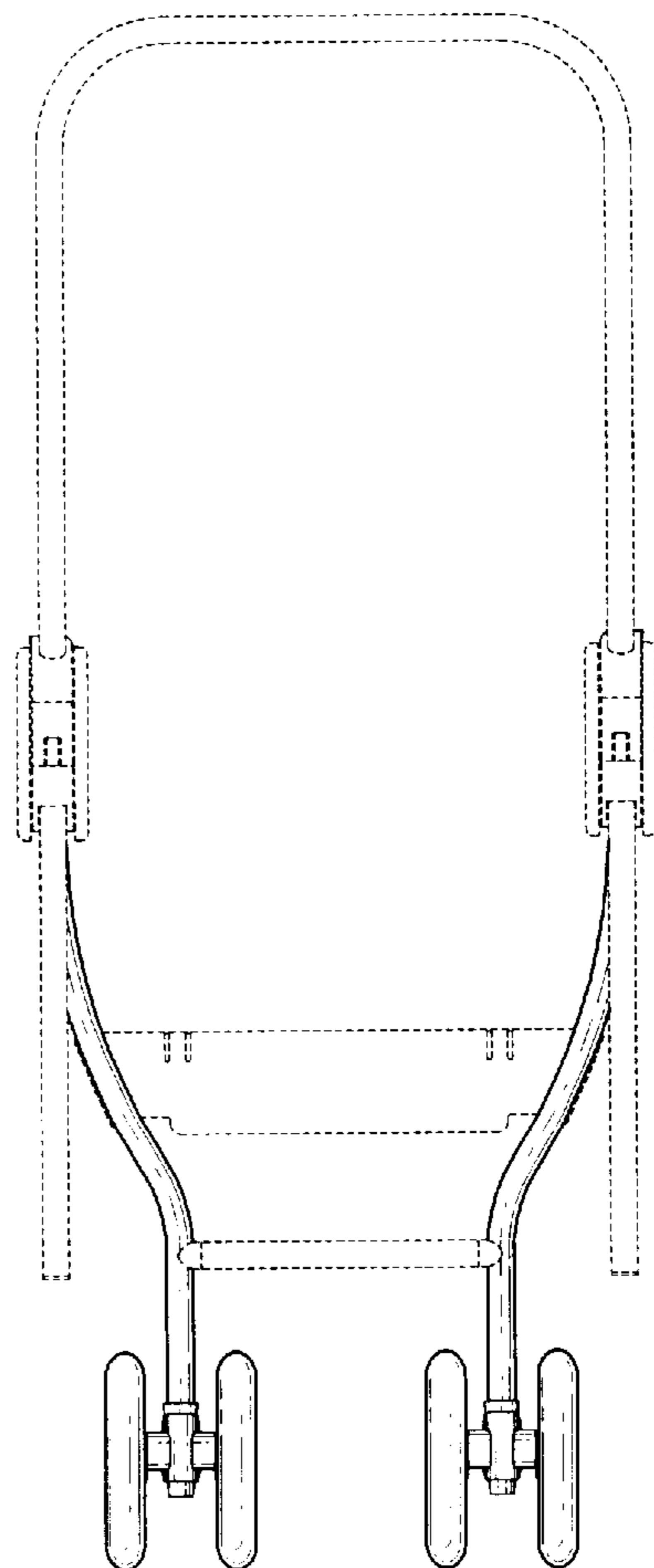


Fig. 16

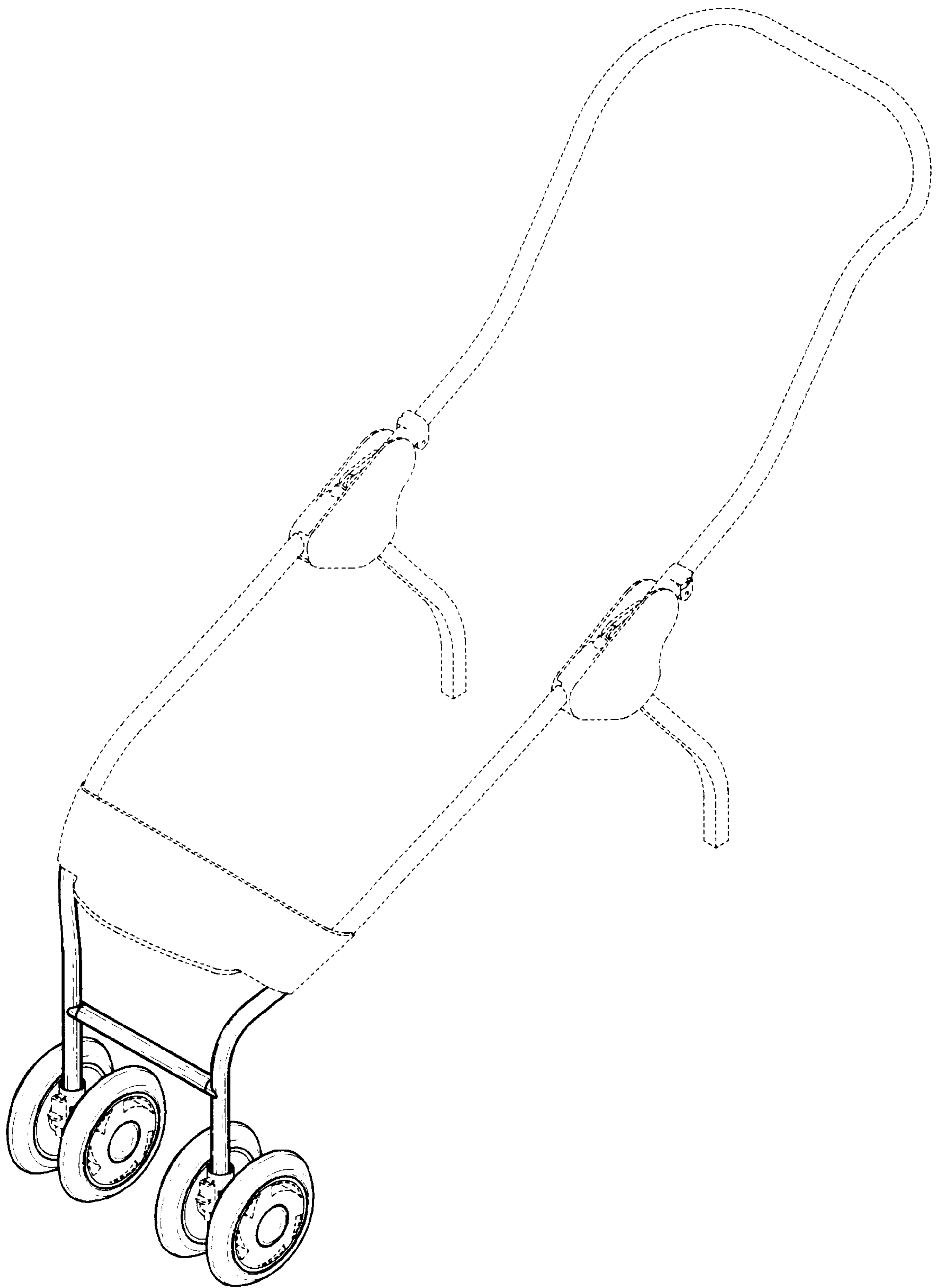


Fig. 17

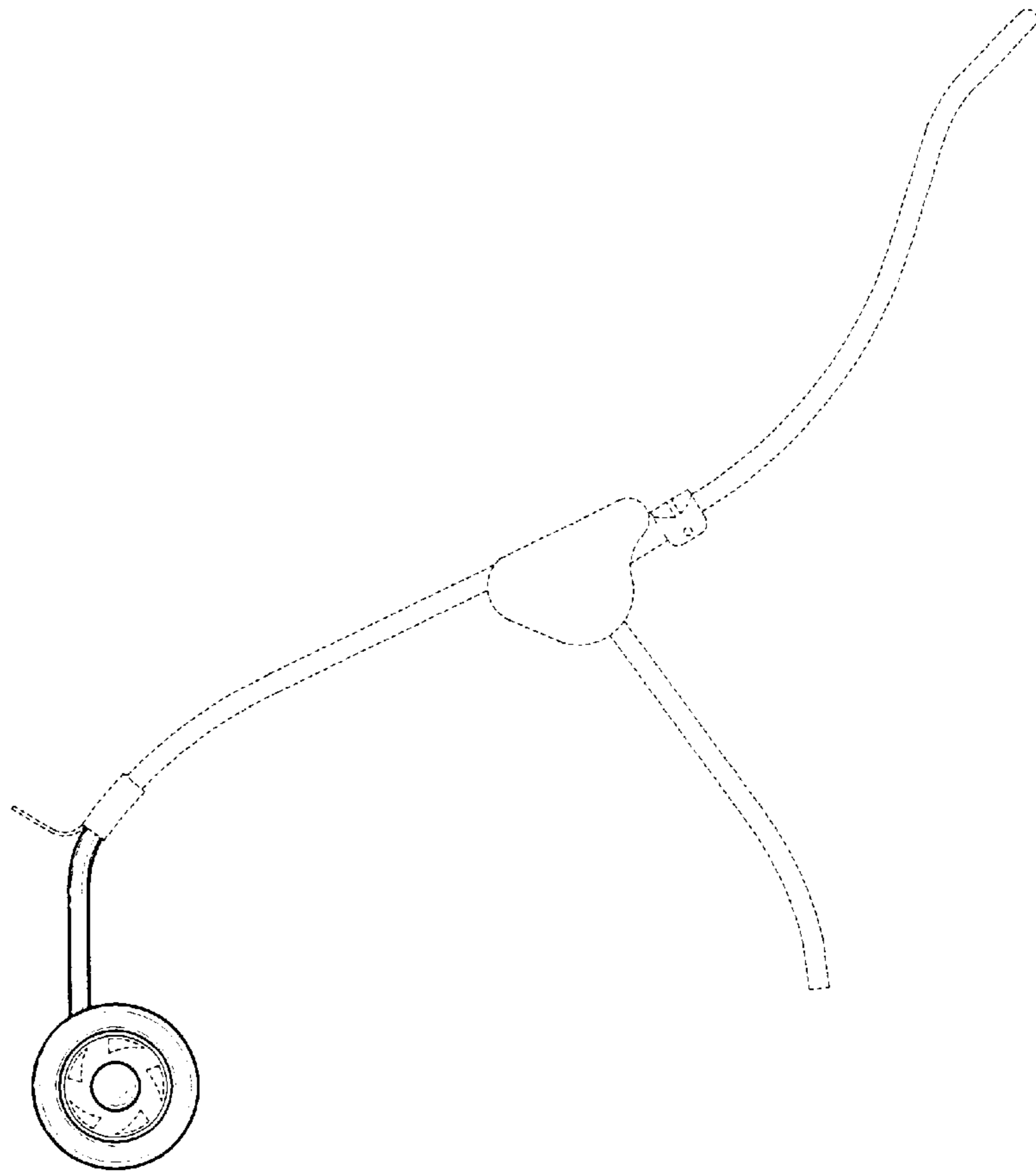


Fig. 18

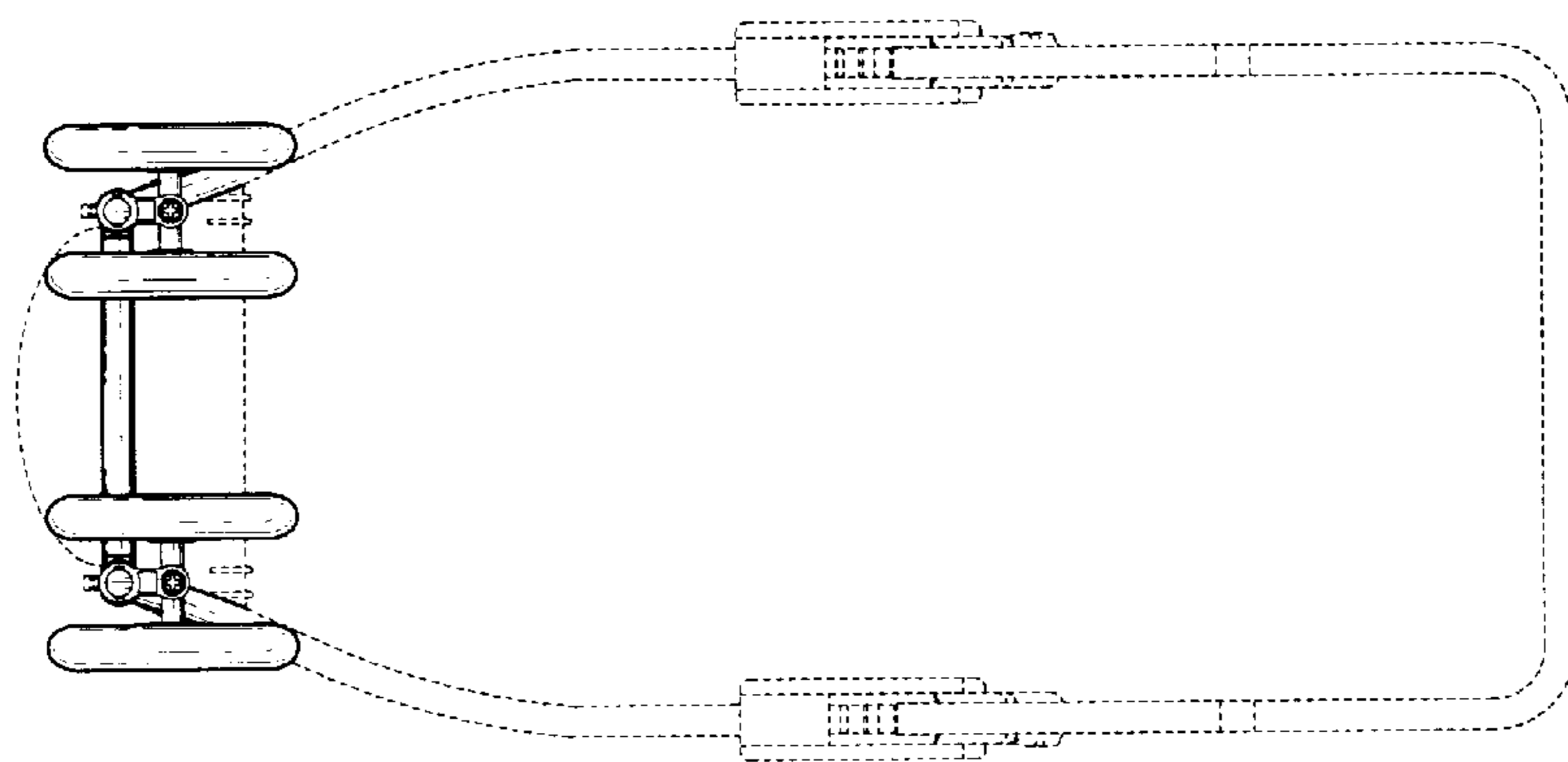


Fig. 19

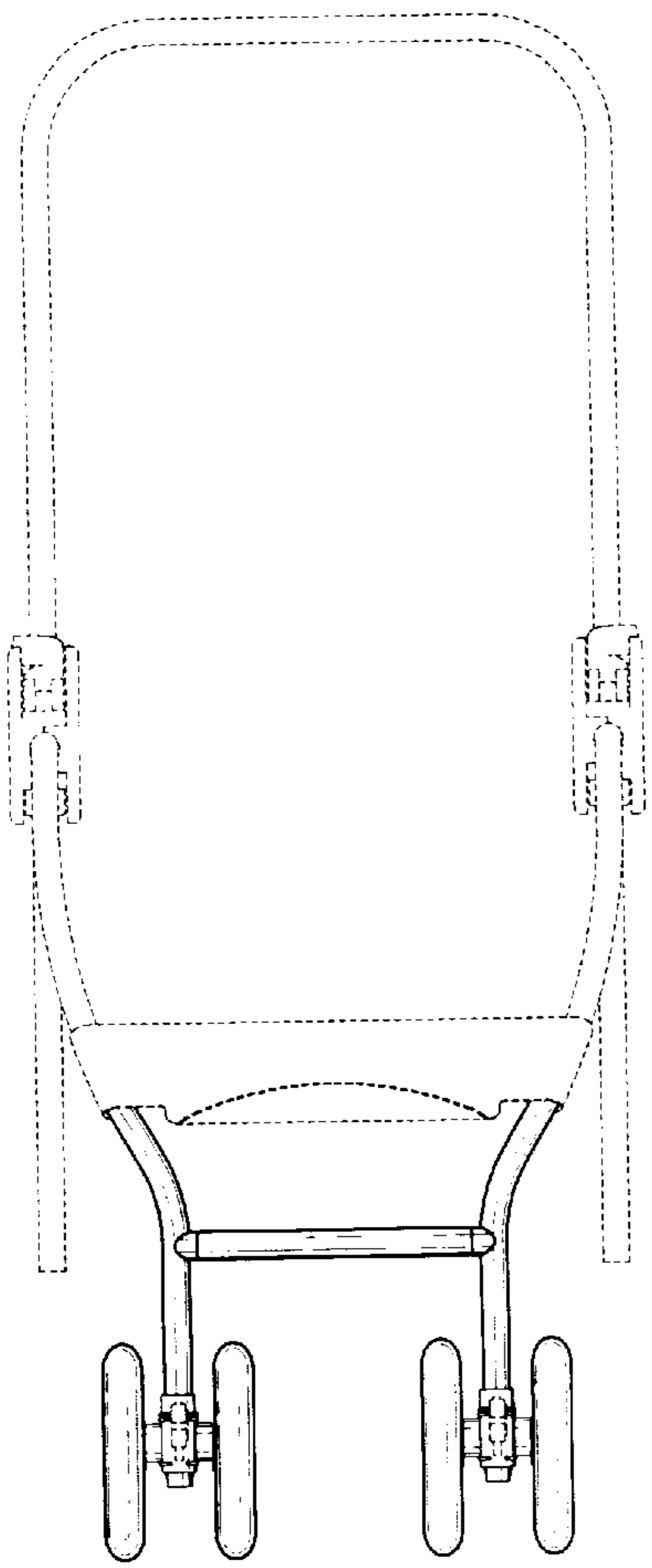


Fig. 20

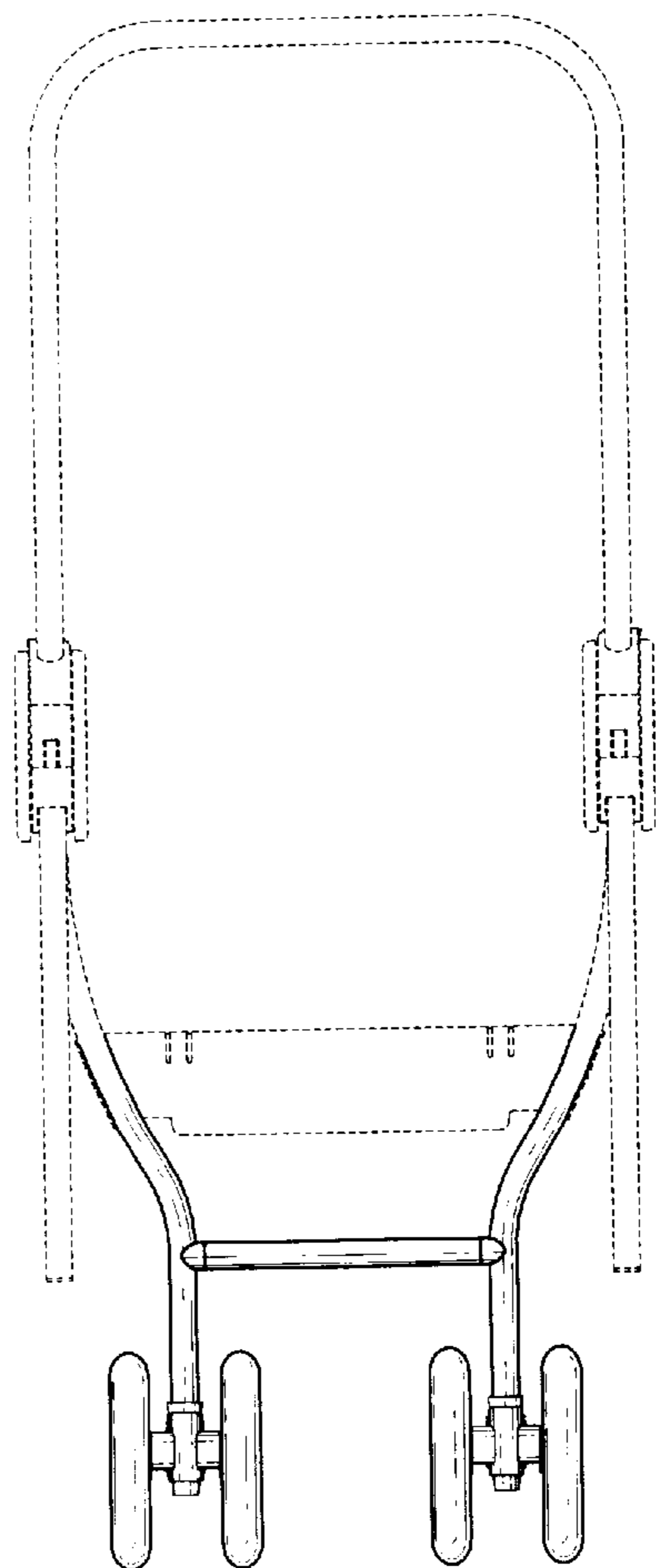


Fig. 21