



US00D438146S

(12) **United States Design Patent**
Larson

(10) **Patent No.:** **US D438,146 S**

(45) **Date of Patent:** **** Feb. 27, 2001**

(54) **SURFACE CONFIGURATION OF A VEHICLE BODY AND/OR TOY**

(75) Inventor: **Grant Larson**, Ludwigsburg (DE)

(73) Assignee: **Dr. Ing. h.c.F. Porsche Aktiengesellschaft**, Stuttgart (DE)

(**) Term: **14 Years**

(21) Appl. No.: **29/120,005**

(22) Filed: **Mar. 13, 2000**

(30) **Foreign Application Priority Data**

Sep. 11, 1999 (DE) 4 99 08 722

(51) **LOC (7) Cl.** **12-11**

(52) **U.S. Cl.** **D12/107; D21/539; D12/86**

(58) **Field of Search** **D12/87, 86, 10; D21/549, 539; 296/186; 180/233, 311, 312, 315**

(56) **References Cited**

U.S. PATENT DOCUMENTS

- D. 261,912 * 11/1981 Breneman D12/539
- D. 262,564 * 1/1982 Yamashina D12/539
- D. 373,976 * 9/1996 Bartolini D12/88
- D. 412,138 * 7/1999 Triursi et al. D12/88
- D. 425,451 * 5/2000 Ewringmann D12/107

* cited by examiner

Primary Examiner—Melody N. Brown
(74) *Attorney, Agent, or Firm*—Evenson, McKeown, Edwards & Lenahan, P.L.L.C.

(57) **CLAIM**

The ornamental design for a surface configuration of a vehicle body and/or toy, as shown and described.

DESCRIPTION

FIG. 1 is a left, front perspective view of a surface configuration of a vehicle body and/or toy according to my novel design;

FIG. 2 is a right, rear perspective view of the surface configuration of a vehicle body and/or toy according to my novel design;

FIG. 3 is a front view of the surface configuration of a vehicle body and/or toy according to my novel design;

FIG. 4 is a rear view of the surface configuration of a vehicle body and/or toy according to my novel design;

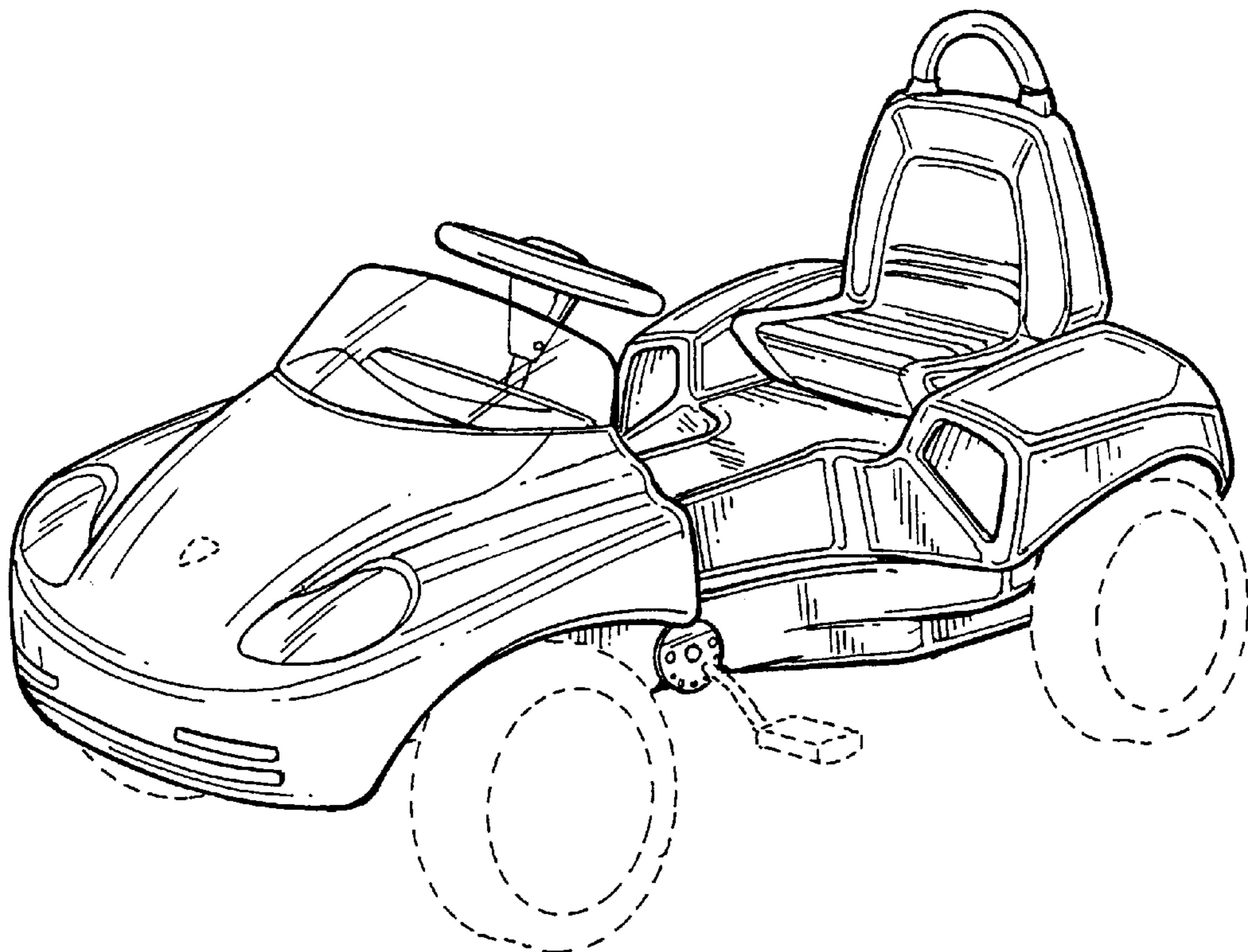
FIG. 5 is a right side view of the surface configuration of a vehicle body and/or toy according to my novel design;

FIG. 6 is a top view of the surface configuration of a vehicle body and/or toy according to my novel design; and,

FIG. 7 is a bottom view of the surface configuration of a vehicle body and/or toy according to my novel design.

The broken lines included depict environment and are not part of the claimed design.

1 Claim, 4 Drawing Sheets



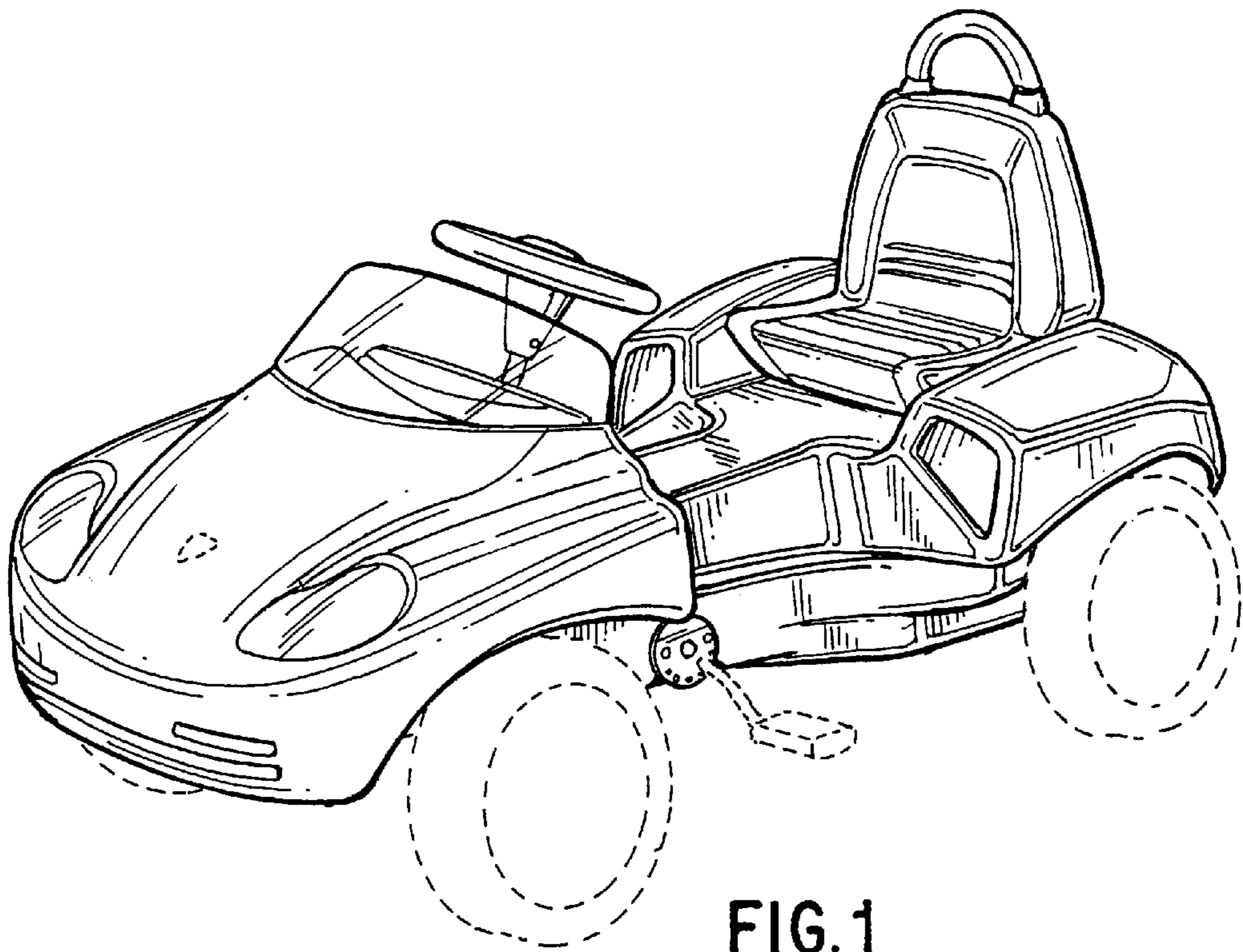


FIG. 1

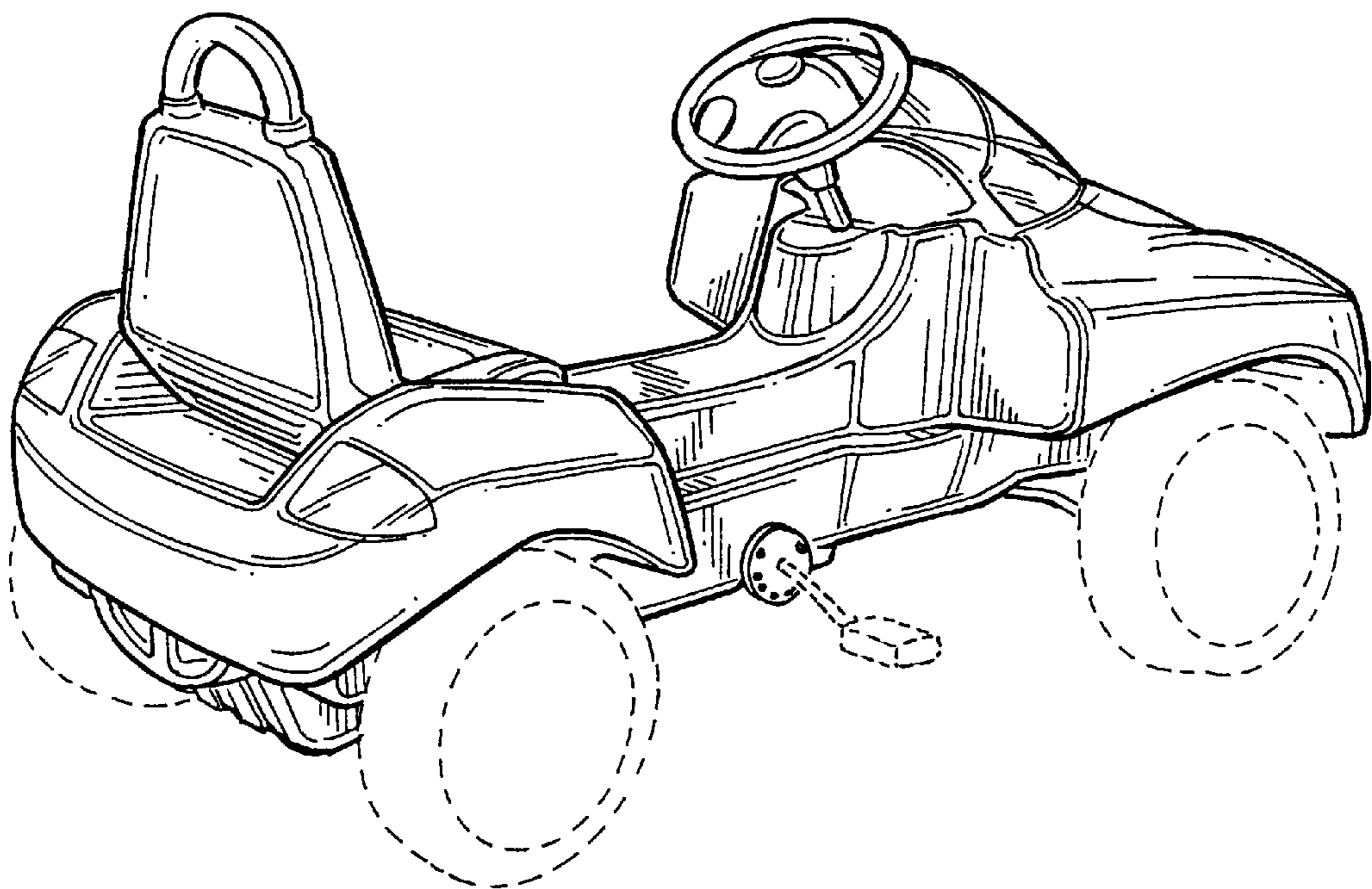


FIG. 2

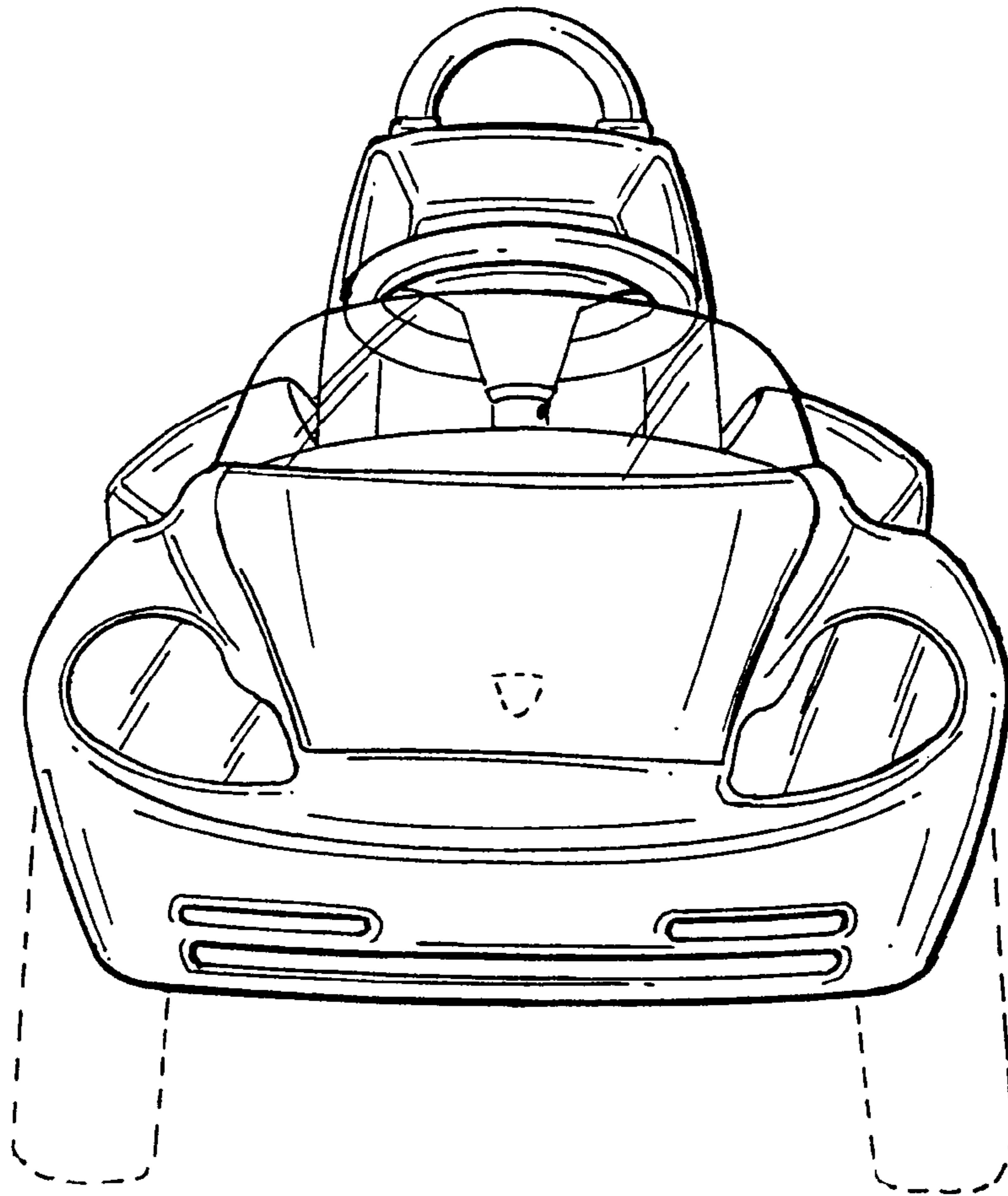


FIG. 3

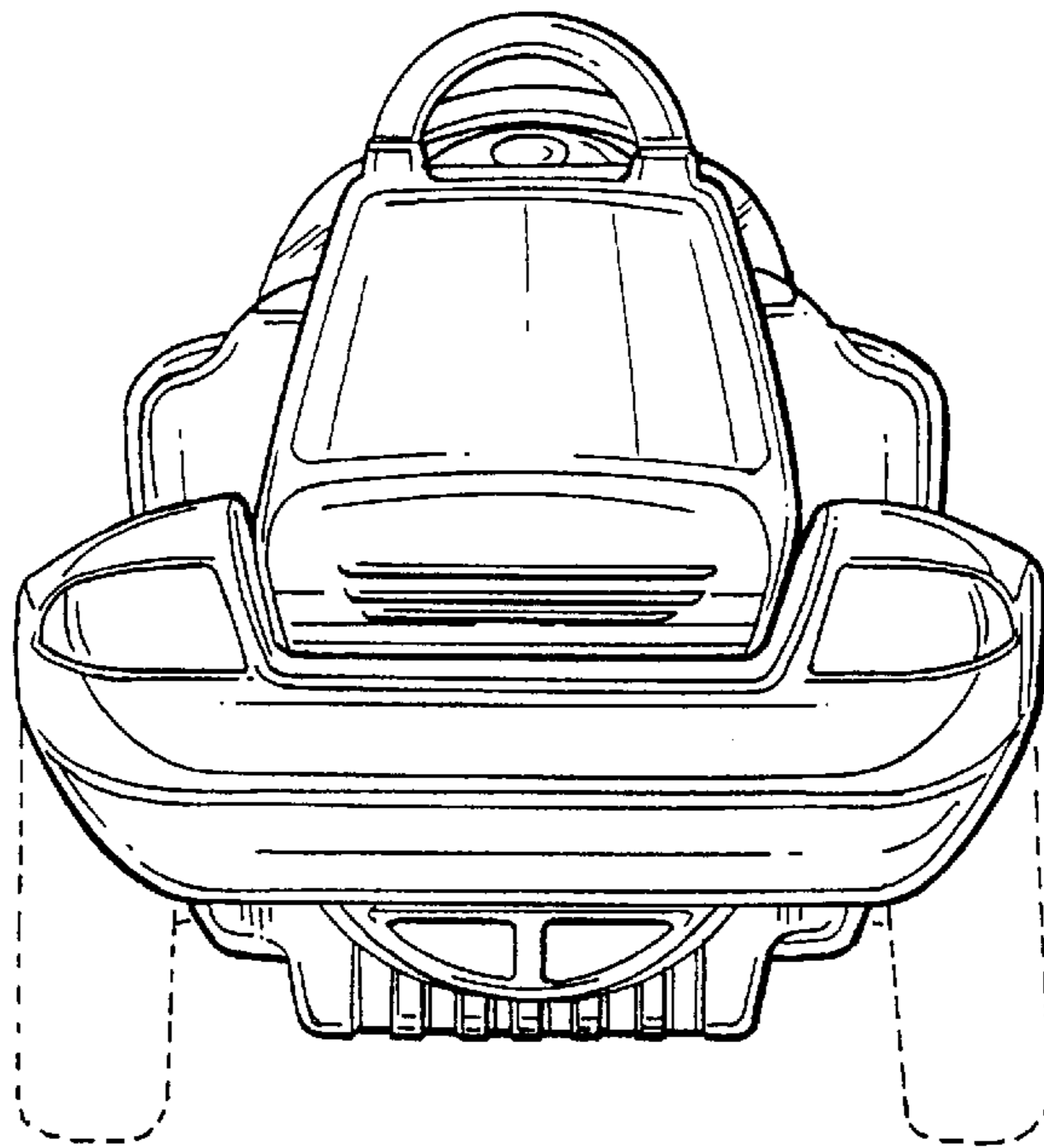


FIG. 4

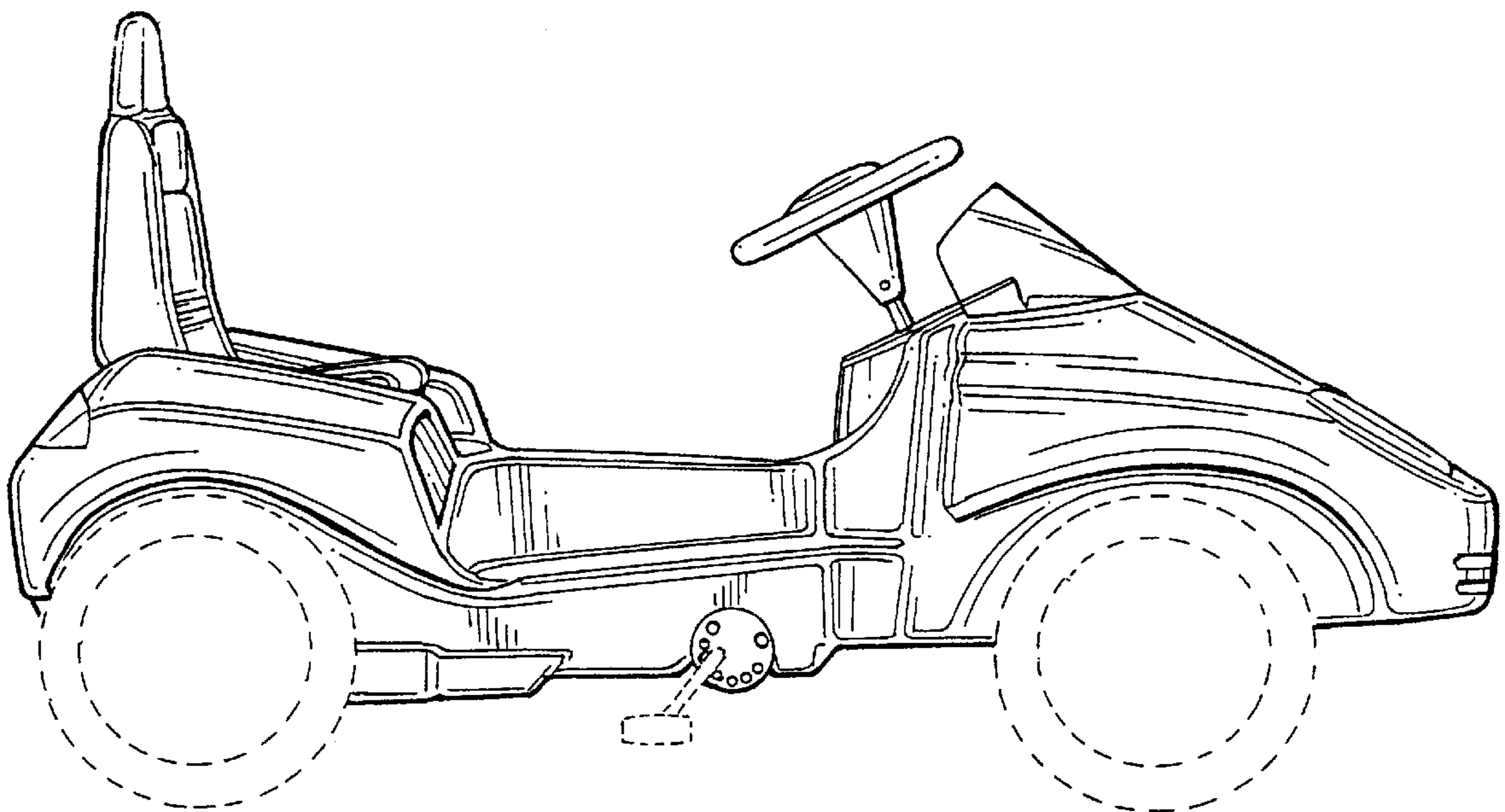


FIG. 5

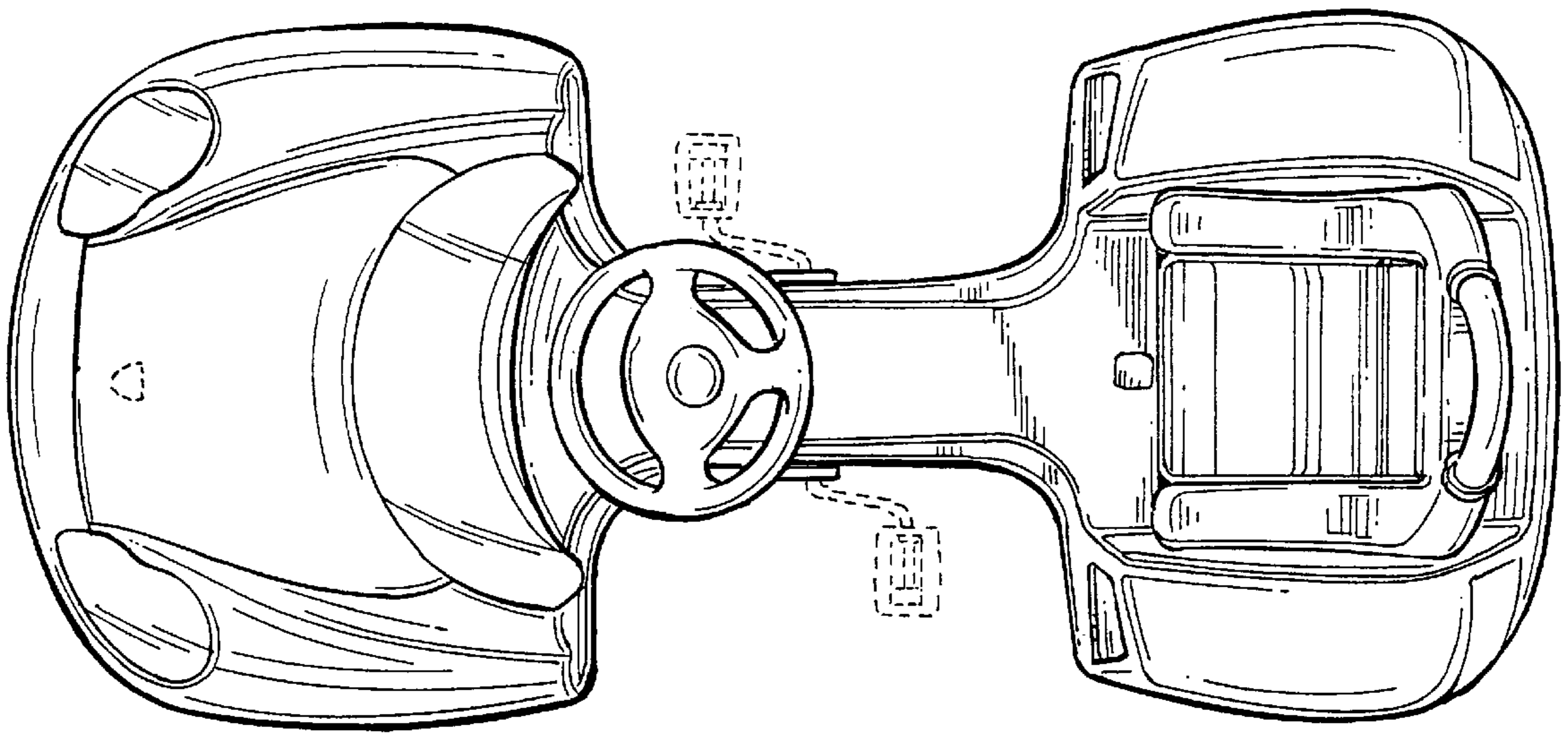


FIG. 6

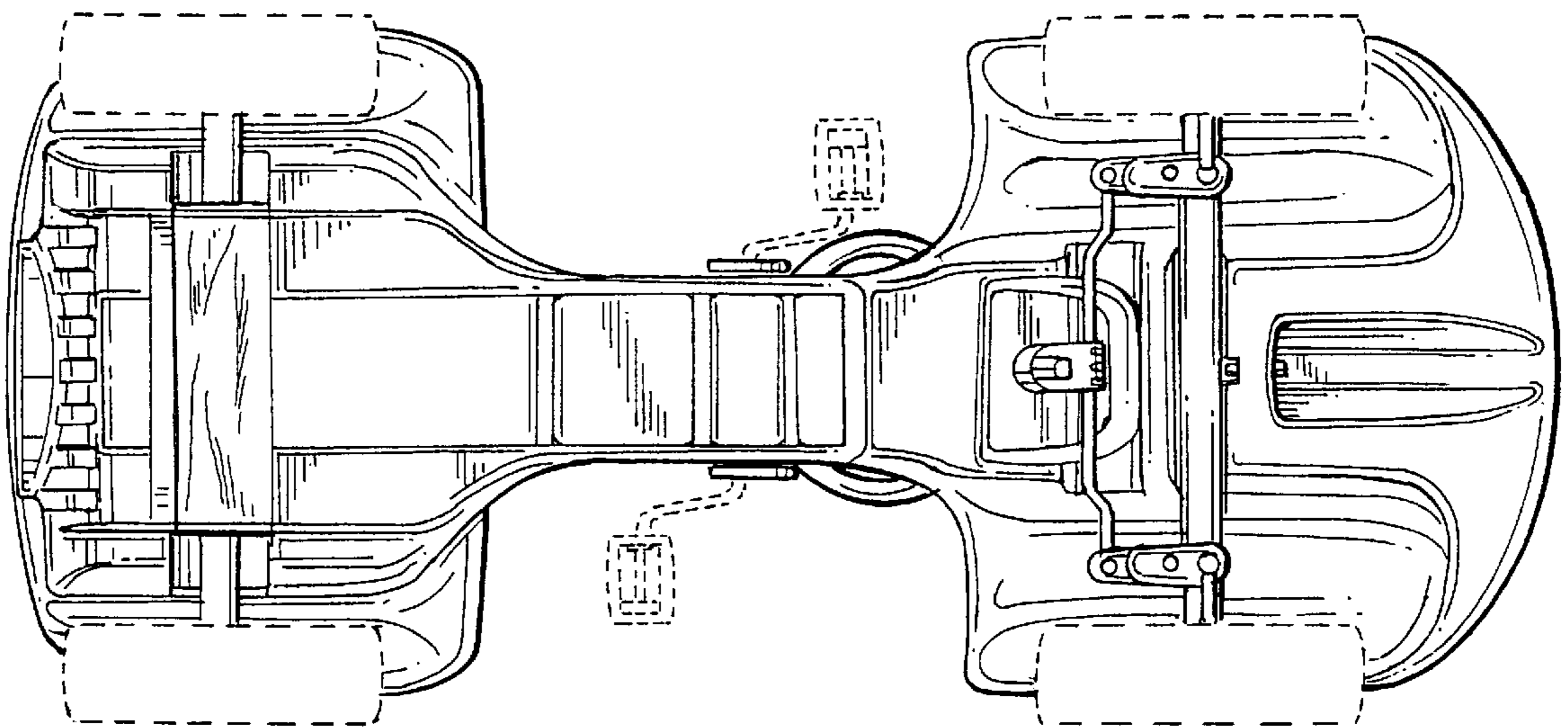


FIG. 7