



US00D438141S

(12) **United States Design Patent**
Mancini

(10) **Patent No.:** **US D438,141 S**

(45) **Date of Patent:** **** Feb. 27, 2001**

(54) **AUTO RACING COLLECTABLES**

D. 379,159 * 5/1997 Jackson D11/157

(76) **Inventor:** **Leonard A. Mancini**, 2464 Hillendale
Dr., Jeffersonville, PA (US) 19403

* cited by examiner

(**) **Term:** **14 Years**

Primary Examiner—Dominic Simone
(74) *Attorney, Agent, or Firm*—Ratner & Prestia

(21) **Appl. No.:** **29/111,121**

(57) **CLAIM**

(22) **Filed:** **Sep. 21, 1999**

The ornamental design for the auto racing collectables, as shown and described.

(51) **LOC (7) Cl.** **11-02**

DESCRIPTION

(52) **U.S. Cl.** **D11/157**

FIG. 1 is a perspective view of the auto racing collectable design;

(58) **Field of Search** D11/131, 157;
D29/102-107; 428/542.2-542.6; 2/410,
7, 8, 411-421

FIG. 2 is a front view of the auto racing collectable design;
FIG. 3 is a right side view of the auto racing collectable design;

(56) **References Cited**

U.S. PATENT DOCUMENTS

- D. 216,988 * 3/1970 Jerue D11/157
- D. 350,710 * 9/1994 Keiffer D11/157
- D. 355,394 * 2/1995 Bexener et al. D11/157

FIG. 4 is a rear view of the auto racing collectable design;
FIG. 5 is a top view of the auto racing collectable design;
and,

FIG. 6 is a bottom view of the auto racing collectable design.

1 Claim, 1 Drawing Sheet

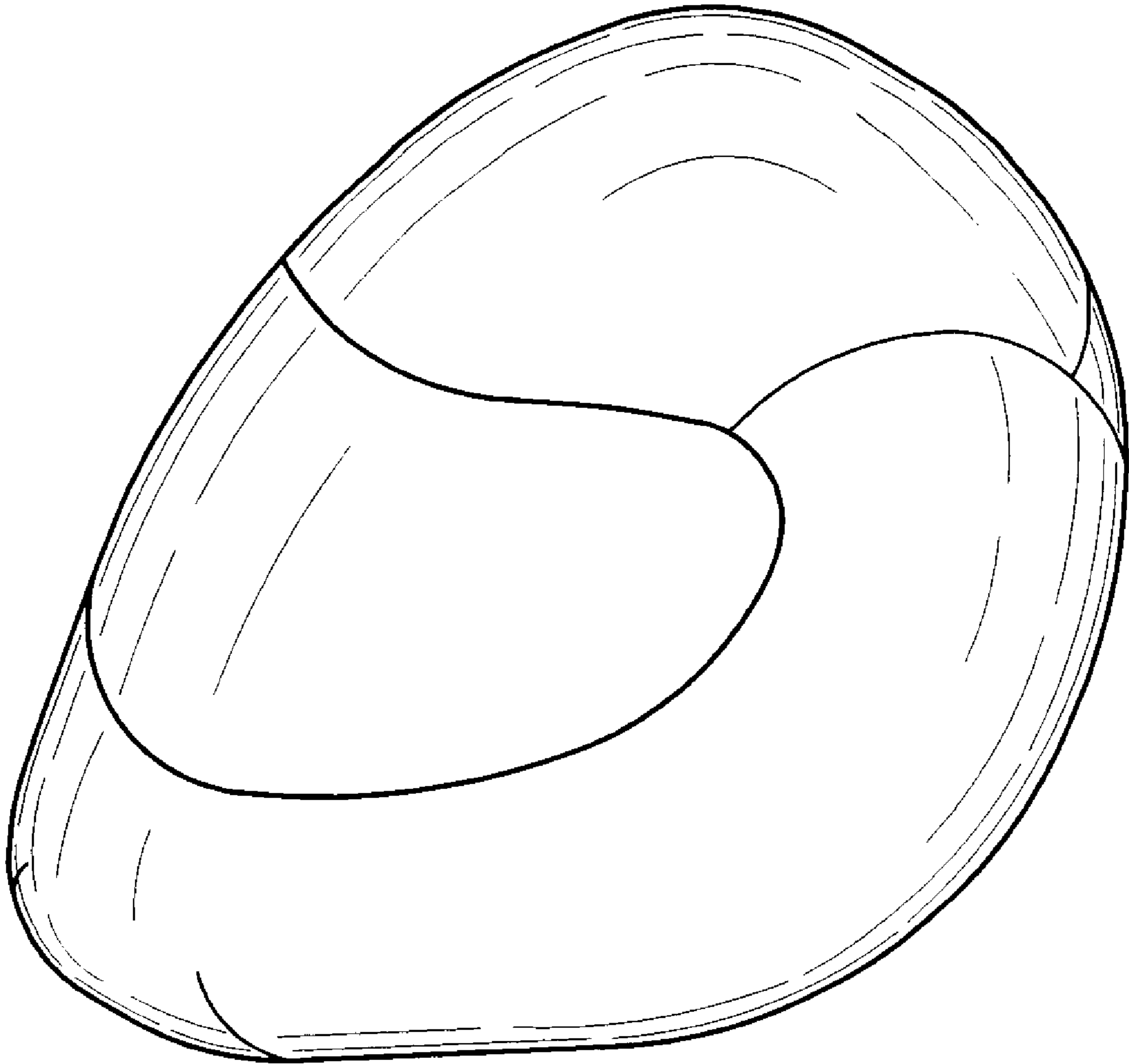


FIG. 1

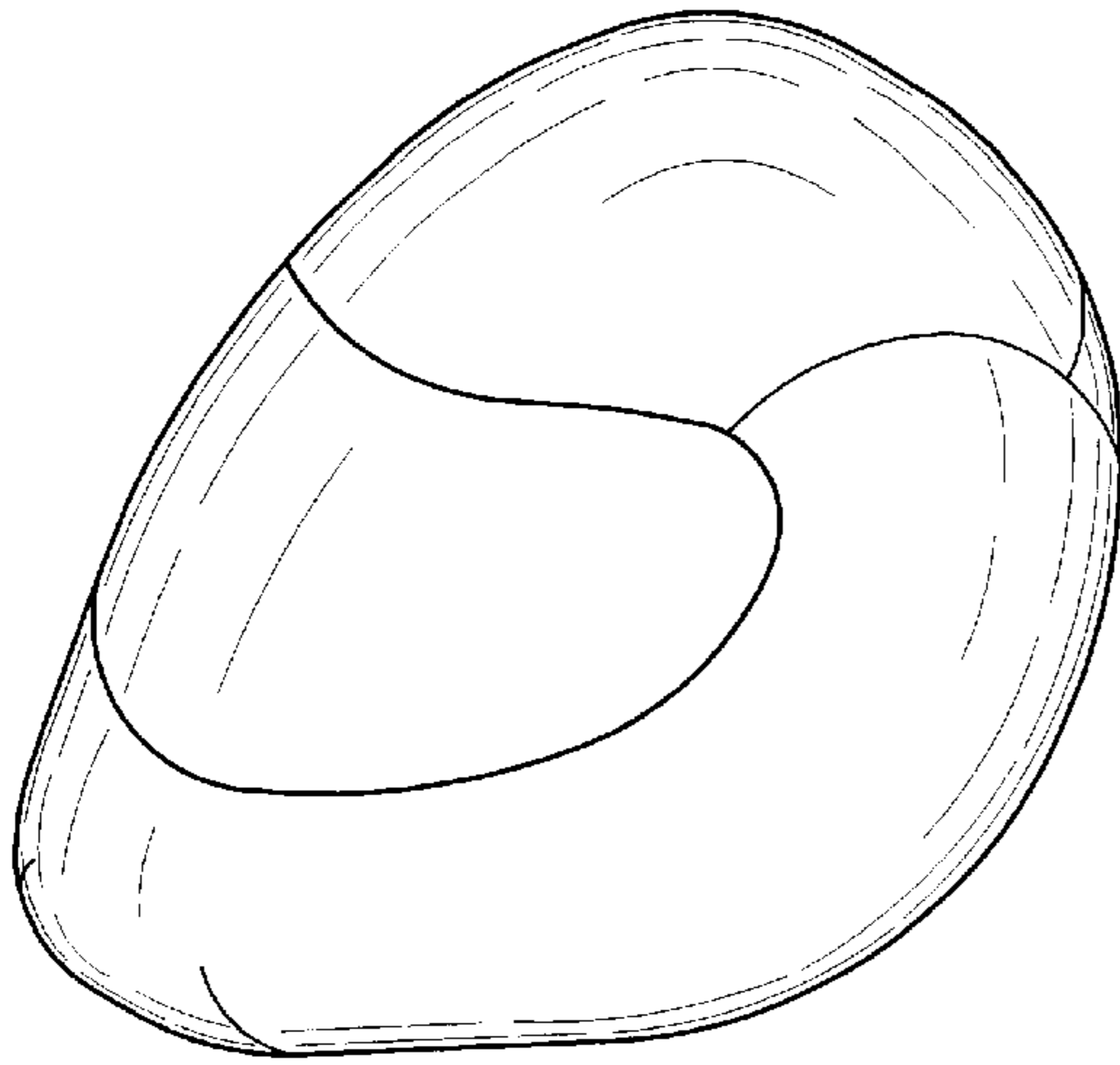


FIG. 4

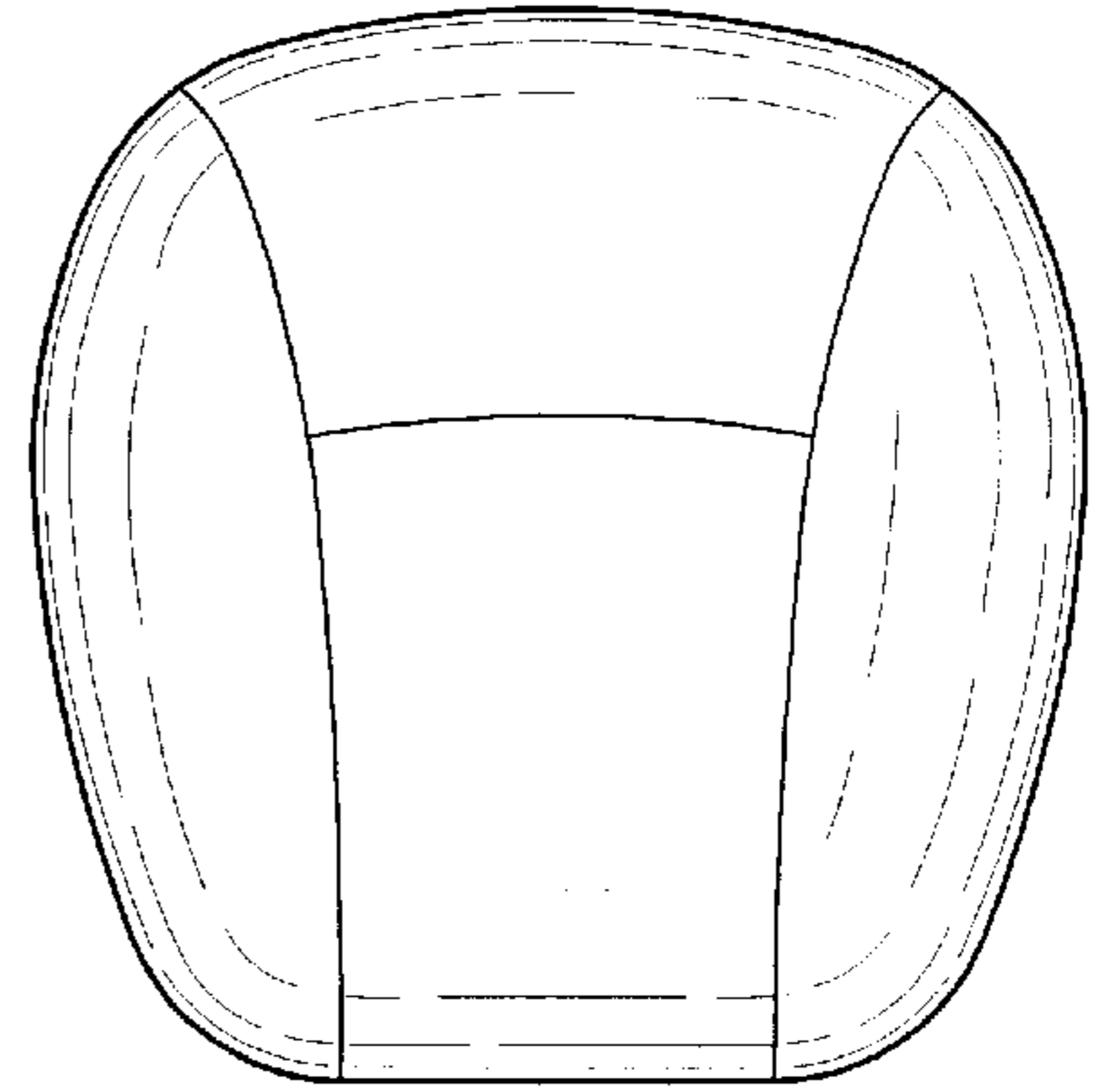


FIG. 2

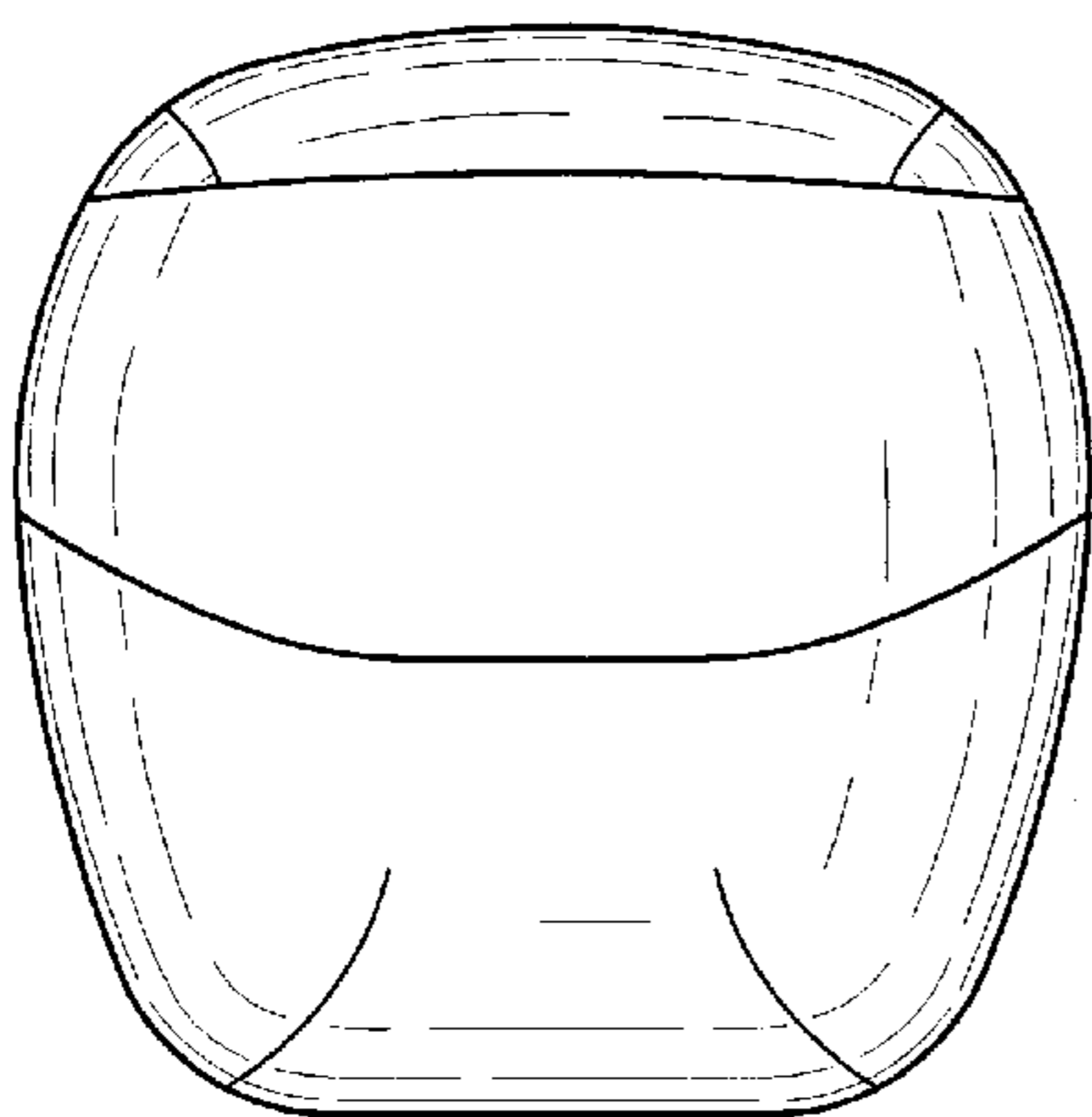


FIG. 5

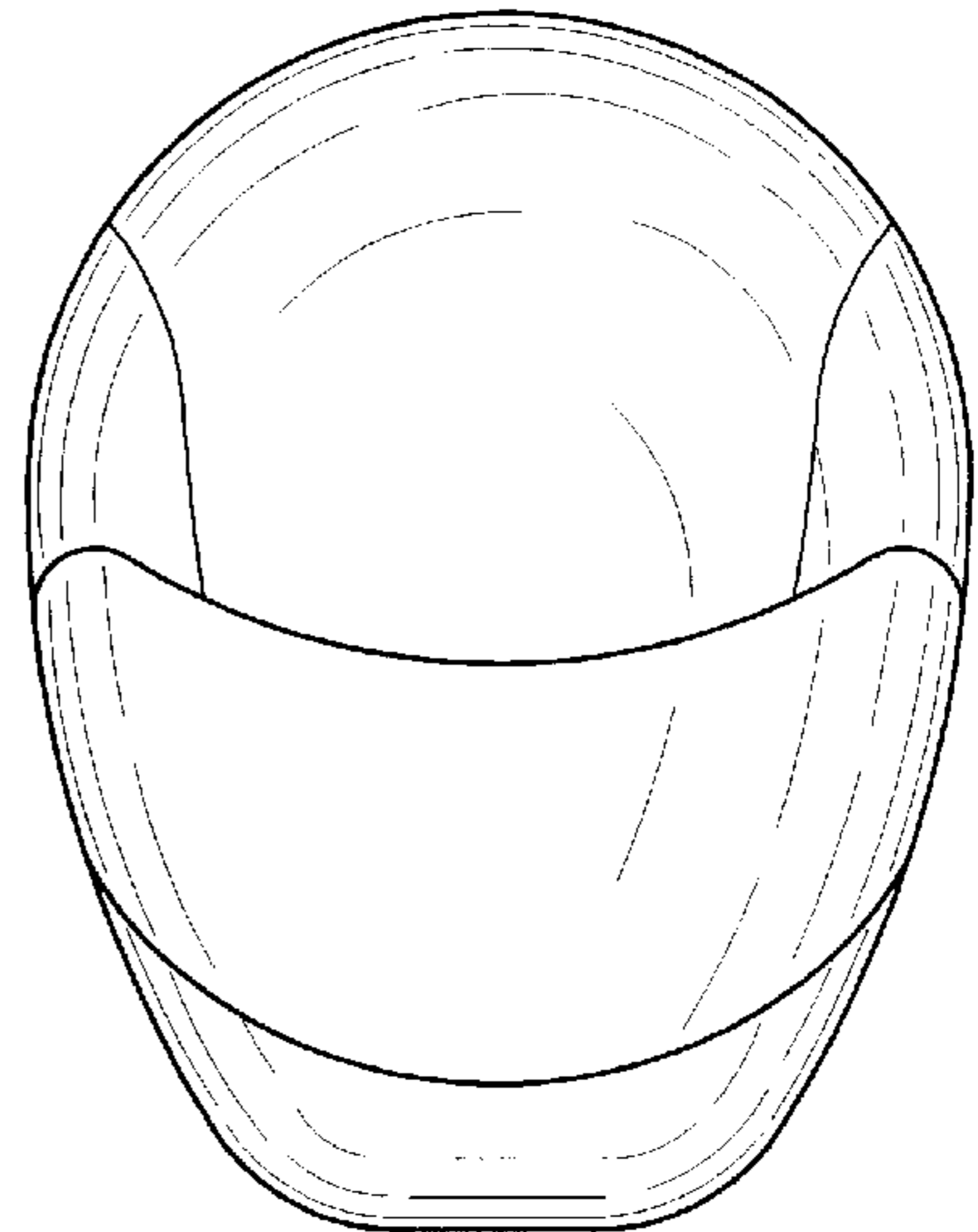


FIG. 3

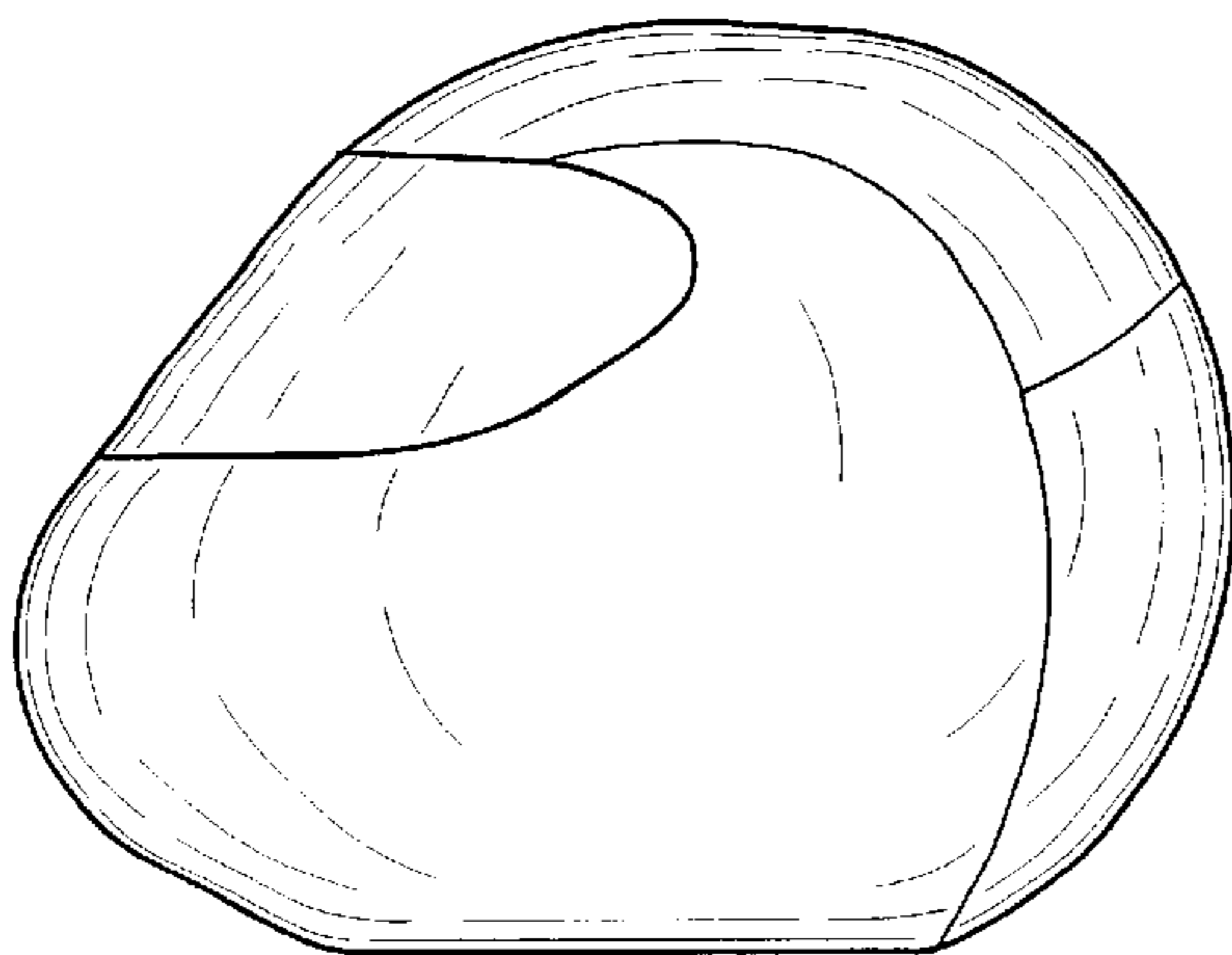


FIG. 6

