



US00D438136S

(12) **United States Design Patent**
Asahina

(10) **Patent No.:** **US D438,136 S**

(45) **Date of Patent:** **** Feb. 27, 2001**

- (54) **AUDIBLE SIGNAL FOR ALARM**
- (75) Inventor: **Masato Asahina**, Fujiyoshida (JP)
- (73) Assignee: **Citizen Electronics Co., Ltd.**,
Yamanashi-Ken (JP)
- (**) Term: **14 Years**
- (21) Appl. No.: **29/125,744**
- (22) Filed: **Jun. 30, 2000**
- (30) **Foreign Application Priority Data**
Dec. 30, 1999 (JP) 11-37316
- (51) **LOC (7) Cl.** **10-05**
- (52) **U.S. Cl.** **D10/116**
- (58) **Field of Search** D10/104, 106,
D10/116, 121; D13/152, 156; 340/384.1,
384.3, 384.7, 388.1, 390.1, 391.1, 392.2,
392.4

- D. 415,975 * 11/1999 Imahori D10/116
- D. 427,930 * 7/2000 Watanabe D10/116

* cited by examiner

Primary Examiner—Marcus A. Jackson
(74) *Attorney, Agent, or Firm*—Birch, Stewart, Kolasch & Birch, LLP

(57) **CLAIM**

The ornamental design for an audible signal for alarm, as shown and described.

DESCRIPTION

FIG. 1 is a bottom view of an audible signal for alarm embodying our new design;
FIG. 2 is a rear view thereof;
FIG. 3 is a top view thereof;
FIG. 4 is a front view thereof;
FIG. 5 is a right side view thereof;
FIG. 6 is a left side view thereof;
FIG. 7 is a perspective view as viewed from the upper side thereof; and,
FIG. 8 is a perspective view as viewed from the lower side thereof.

- (56) **References Cited**
U.S. PATENT DOCUMENTS
D. 411,127 * 6/1999 Kuwabara D10/116
D. 413,278 * 8/1999 Kuwabara D10/116

1 Claim, 5 Drawing Sheets

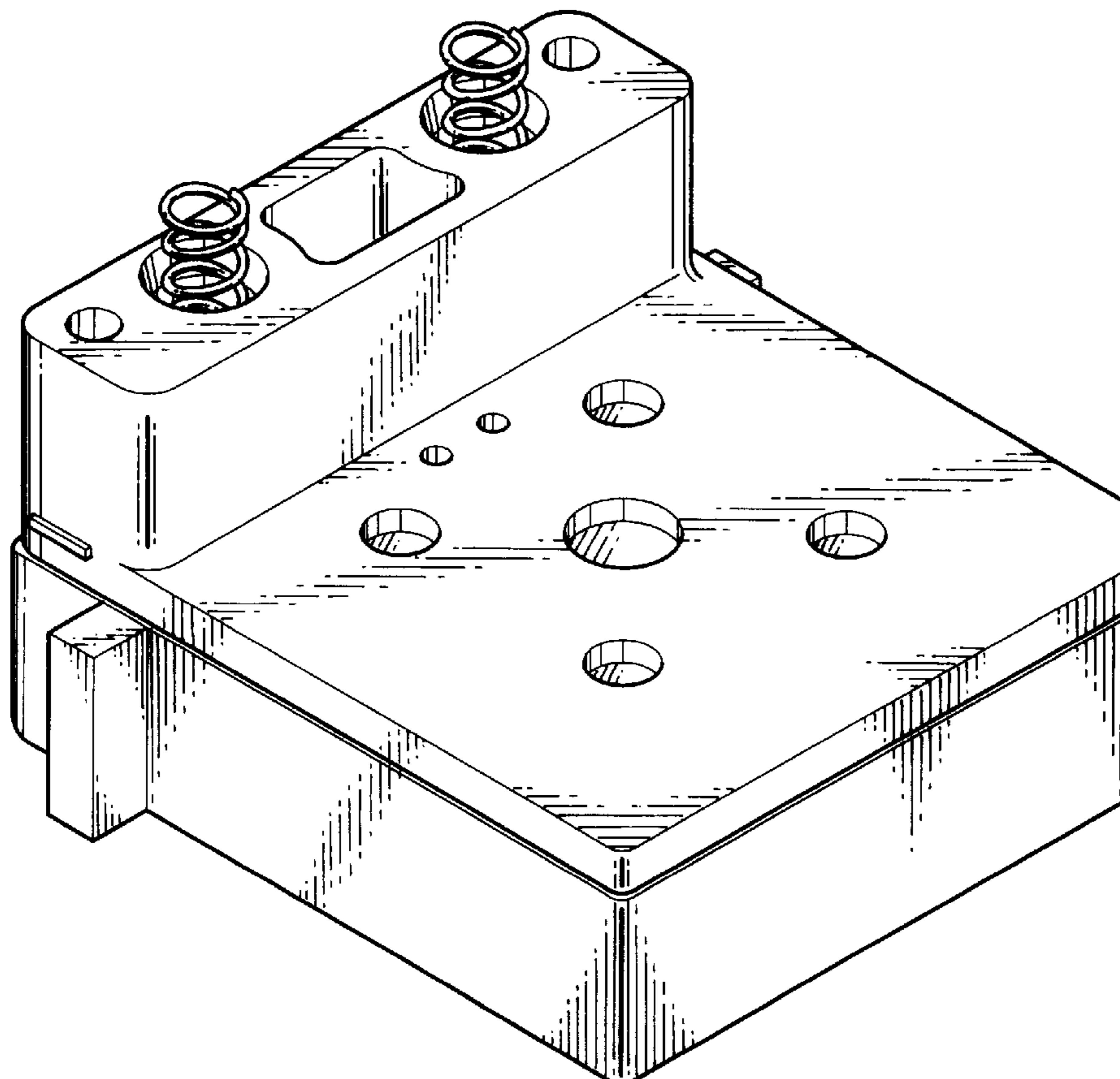


Fig . 1

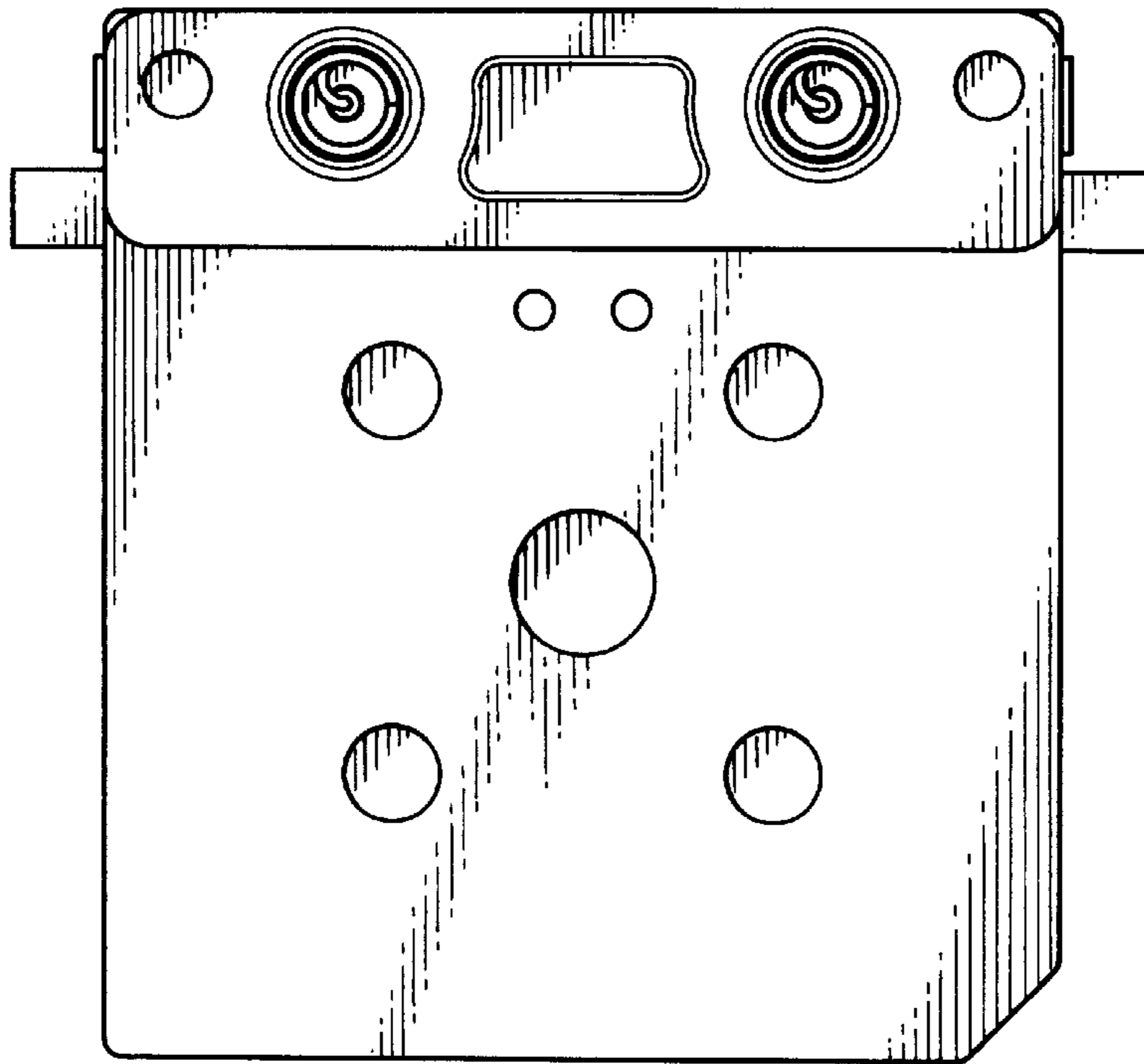


Fig . 2

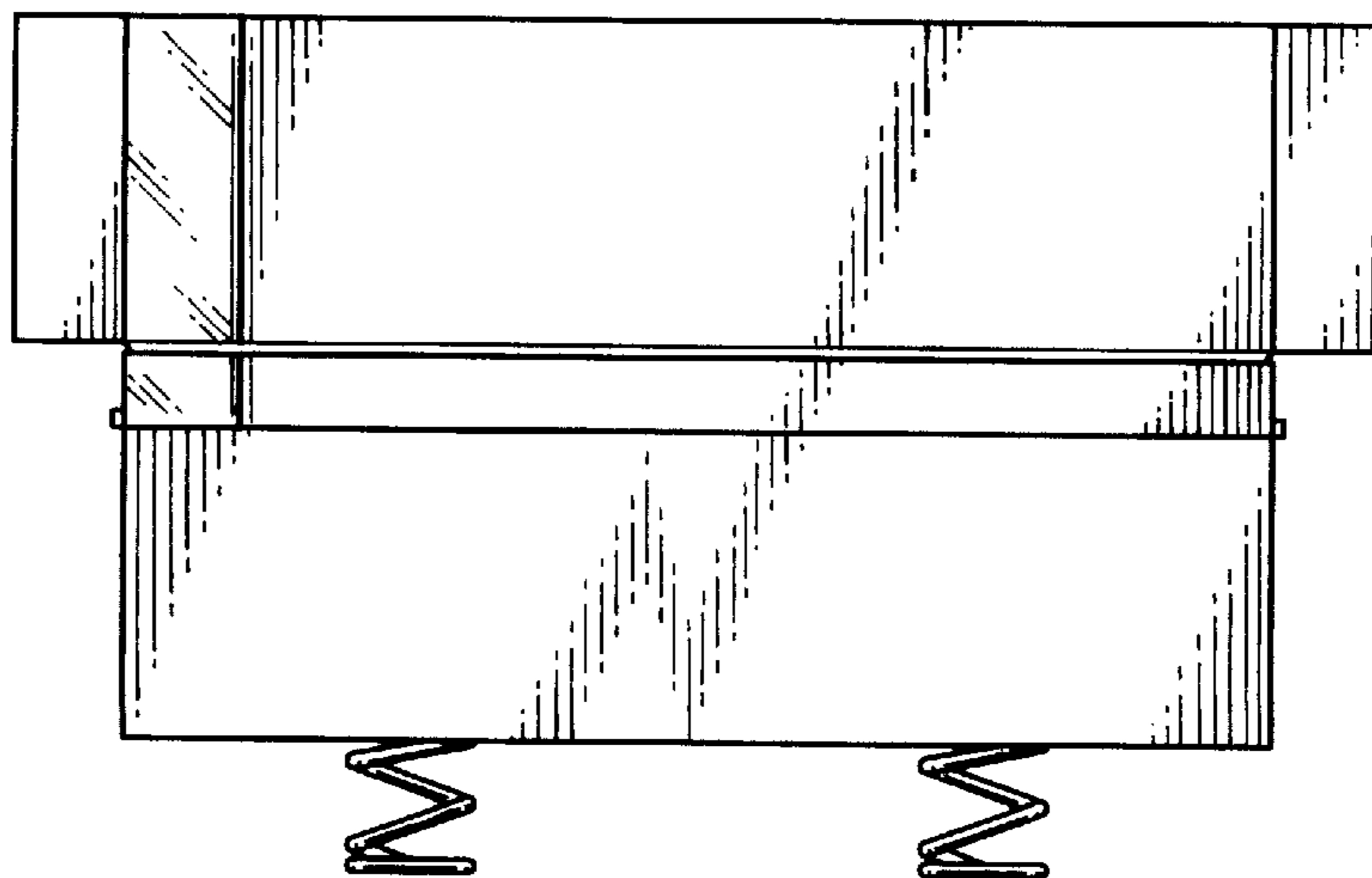


Fig . 3

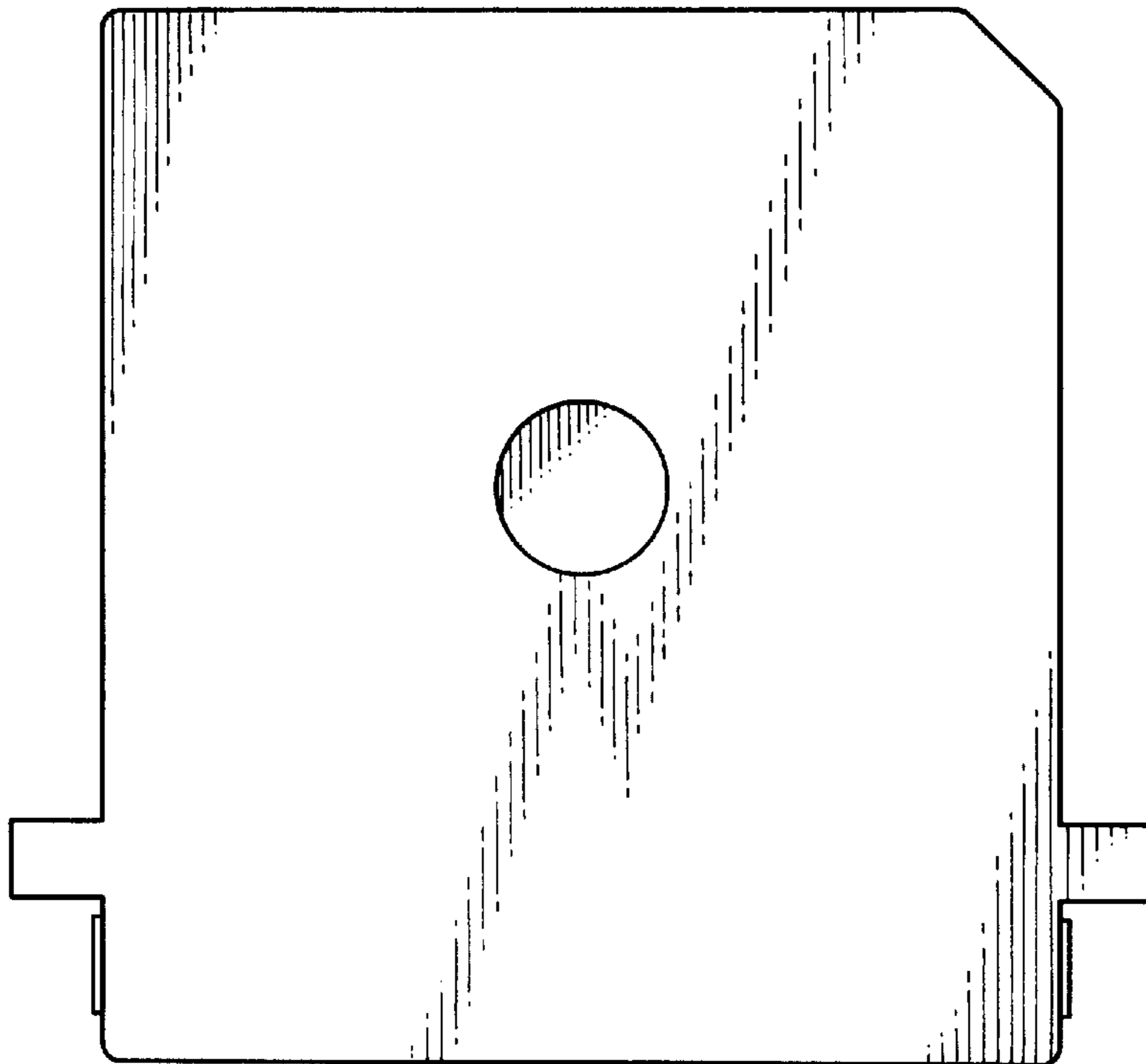


Fig . 4

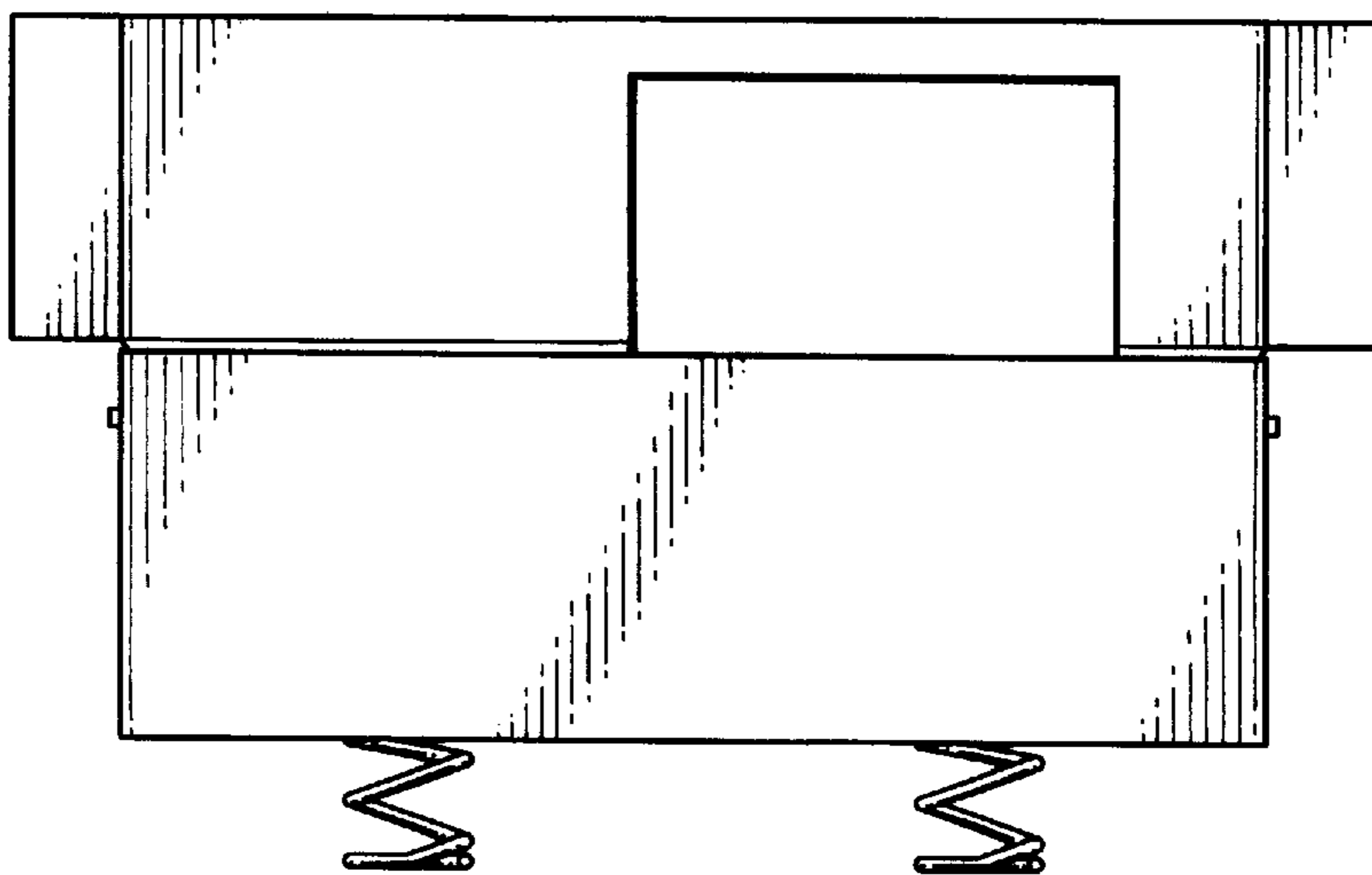


Fig . 5

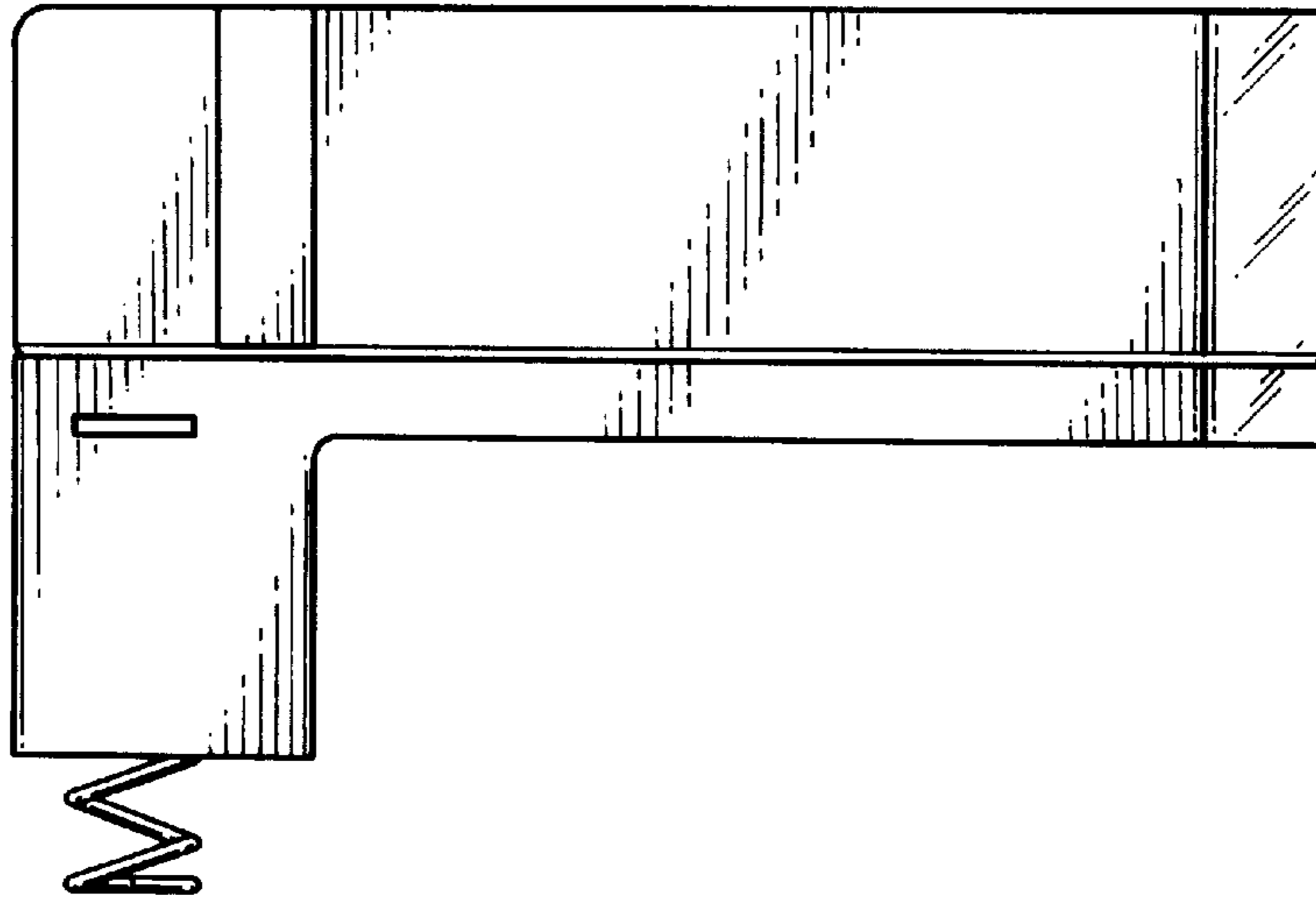


Fig . 6

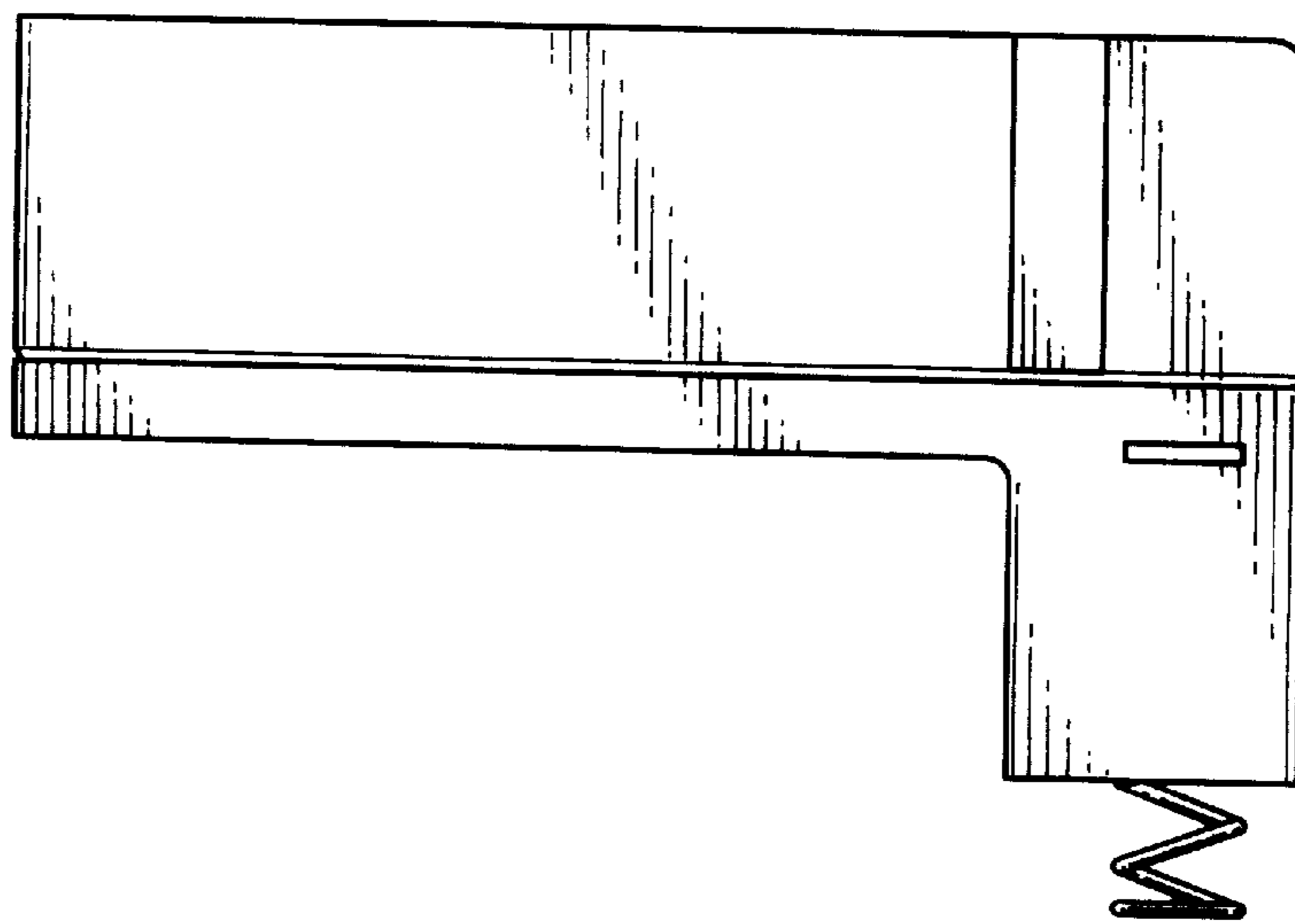


Fig . 7

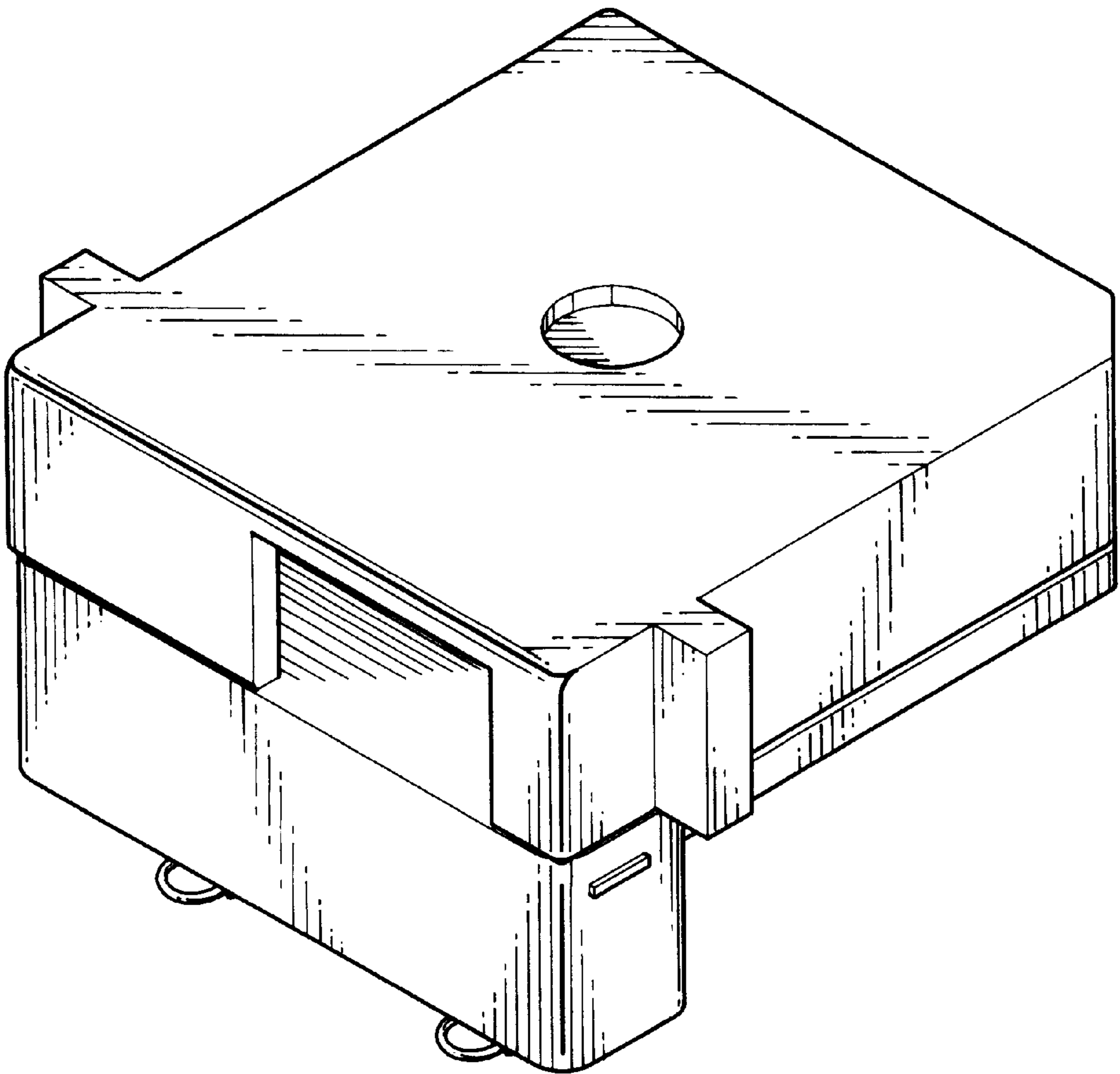


Fig . 8

