



US00D438135S

(12) **United States Design Patent**
DiDomizio et al.

(10) **Patent No.:** **US D438,135 S**

(45) **Date of Patent:** **** Feb. 27, 2001**

(54) **VARYING ELLIPTICAL REFLECTOR**

DESCRIPTION

(75) Inventors: **Richard A. DiDomizio**, Hatfield, PA (US); **Michael L. Veksland**, Marlton, NJ (US)

(73) Assignee: **Accu-Sort Systems, Inc.**, Telford, PA (US)

(**) Term: **14 Years**

(21) Appl. No.: **29/126,994**

(22) Filed: **Jul. 28, 2000**

(51) **LOC (7) Cl.** **10-05**

(52) **U.S. Cl.** **D10/111**

(58) **Field of Search** D10/109, 111,
D10/113; D25/119; 40/606, 607, 612, 617;
116/63 R, 63 C, 63 T

(56) **References Cited**

U.S. PATENT DOCUMENTS

D. 323,999	*	2/1992	Reishman	D10/111
D. 388,725	*	1/1998	Estrada	D10/111
1,306,511		6/1919	Ames, Jr.	.	
2,186,951		1/1940	Bergstrom	.	
3,666,939		5/1972	Ota	.	
3,679,893		7/1972	Shemitz et al.	.	
4,234,247		11/1980	Dorman	.	
4,575,783		3/1986	Hammond	.	
4,945,455		7/1990	Akizuki	.	
5,408,363		4/1995	Kano	.	

* cited by examiner

Primary Examiner—Marcus A. Jackson

(74) *Attorney, Agent, or Firm*—Volpe and Koenig, P.C.

(57) **CLAIM**

The ornamental design for a varying elliptical reflector, as shown and described.

FIG. 1 is an isometric view, from the front and above, of a varying elliptical reflector in accordance with the present invention.

FIG. 2 is a right side elevational view of the varying elliptical reflector of FIG. 1, the left side elevational view being a mirror image thereof.

FIG. 3 is a top plan view of the varying elliptical reflector of FIG. 1.

FIG. 4 is a front elevational view of the varying elliptical reflector of FIG. 1.

FIG. 5 is a bottom plan view of the varying elliptical reflector of FIG. 1.

FIG. 6 is a rear elevational view of the varying elliptical reflector of FIG. 1.

FIG. 7 is an isometric view, from the back and above, of the varying elliptical reflector of FIG. 1.

FIG. 8 is an isometric view, from the front and above, of an alternative embodiment of the varying elliptical reflector in accordance with the present invention.

FIG. 9 is a right side elevational view of the varying elliptical reflector of FIG. 8, the left side elevational view being a mirror image thereof.

FIG. 10 is a top plan view of the varying elliptical reflector of FIG. 8.

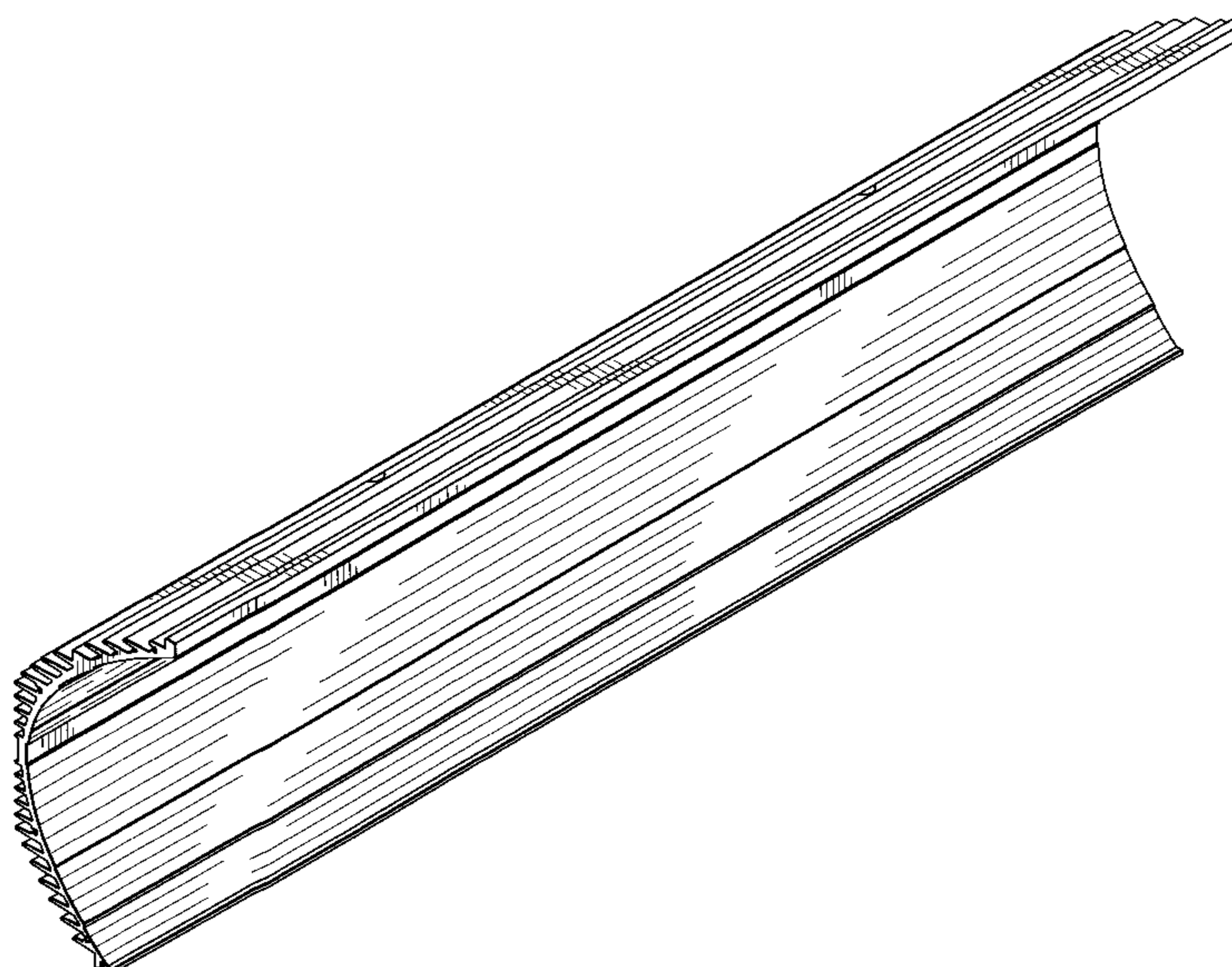
FIG. 11 is a front elevational view of the varying elliptical reflector of FIG. 8.

FIG. 12 is a bottom plan view of the varying elliptical reflector of FIG. 8.

FIG. 13 is a rear elevational view of the varying elliptical reflector of FIG. 8; and,

FIG. 14 is an isometric view, from the back and above, of the varying elliptical reflector of FIG. 8.

1 Claim, 8 Drawing Sheets



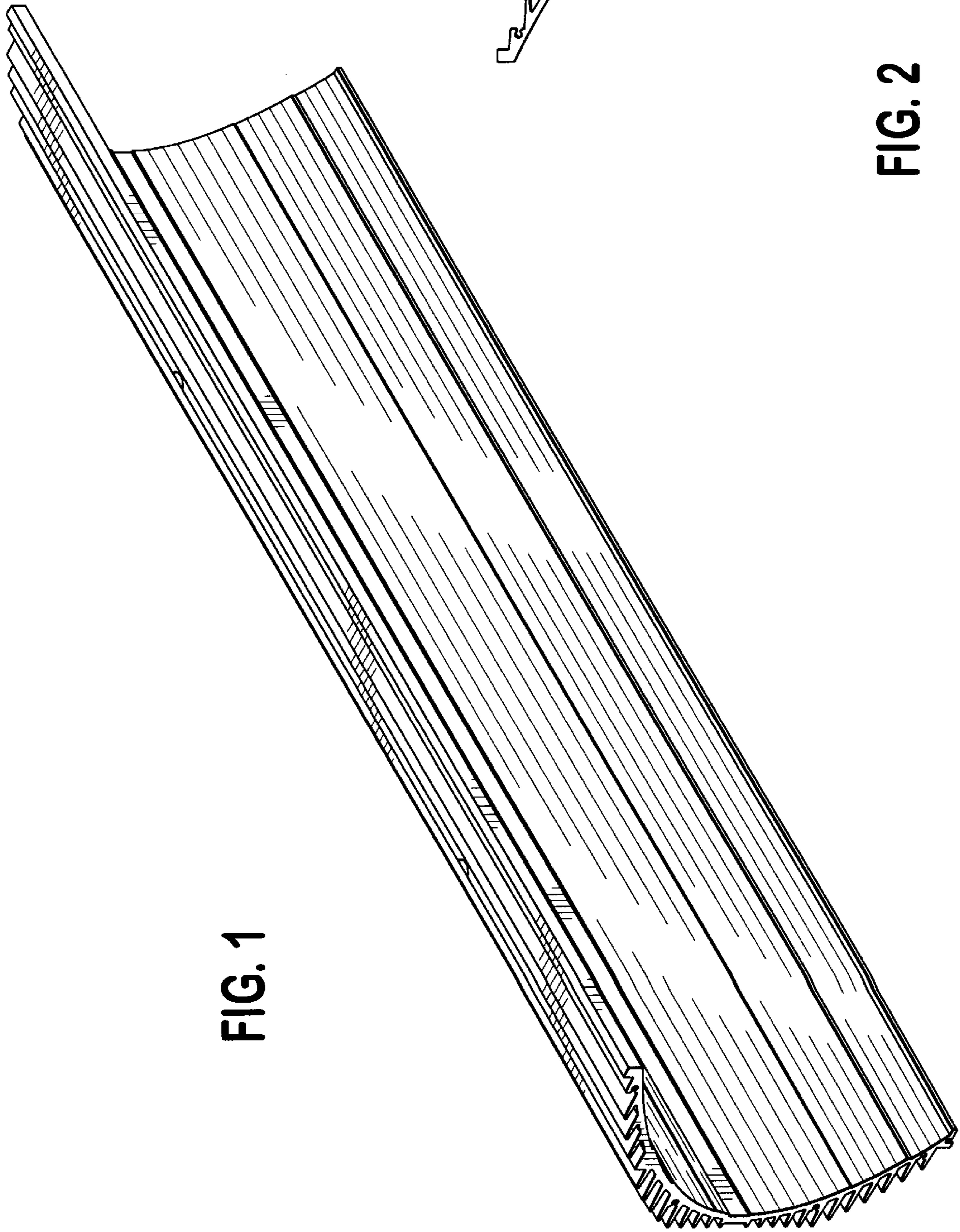


FIG. 1

FIG. 2

FIG. 3

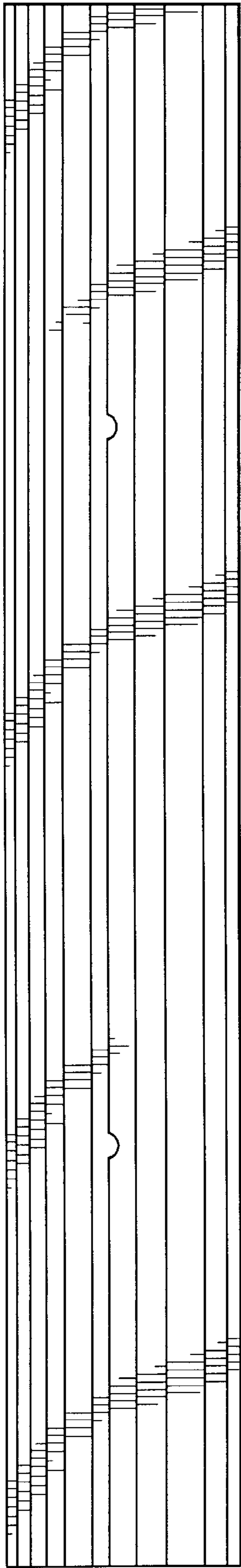


FIG. 4

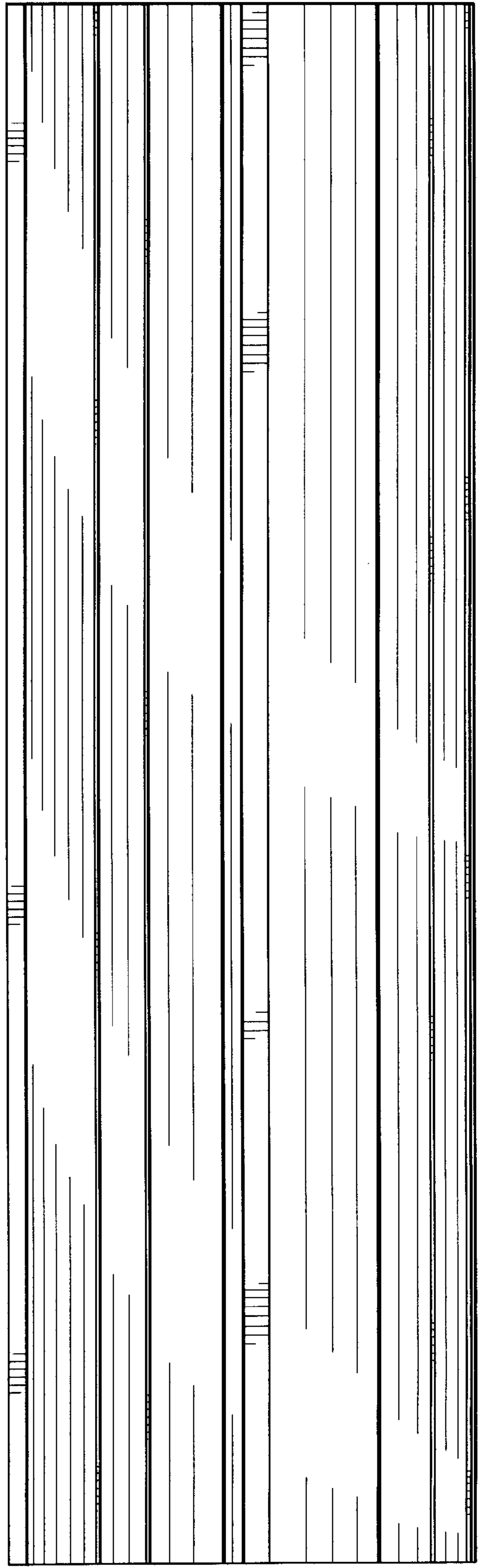


FIG. 5

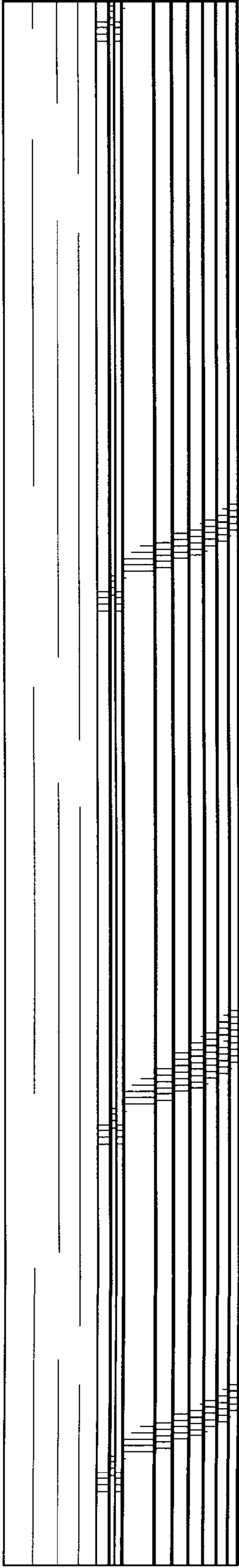
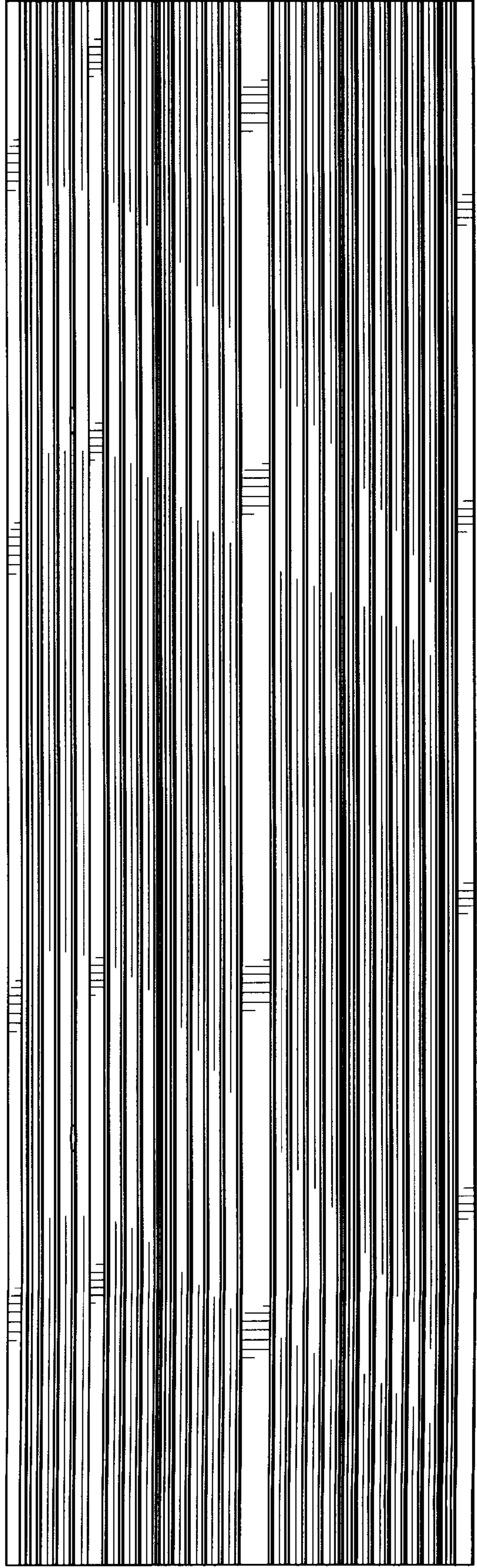


FIG. 6



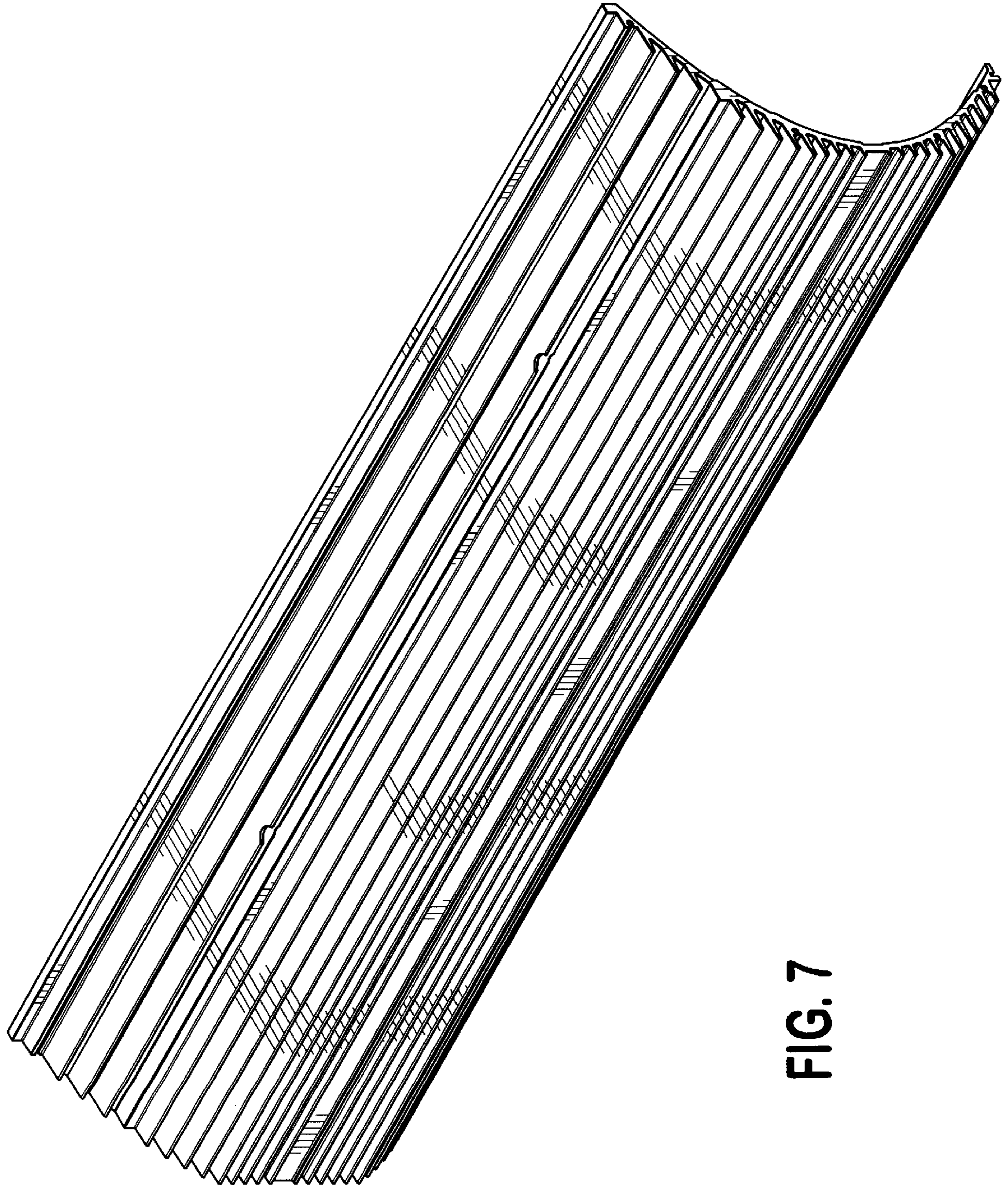


FIG. 7

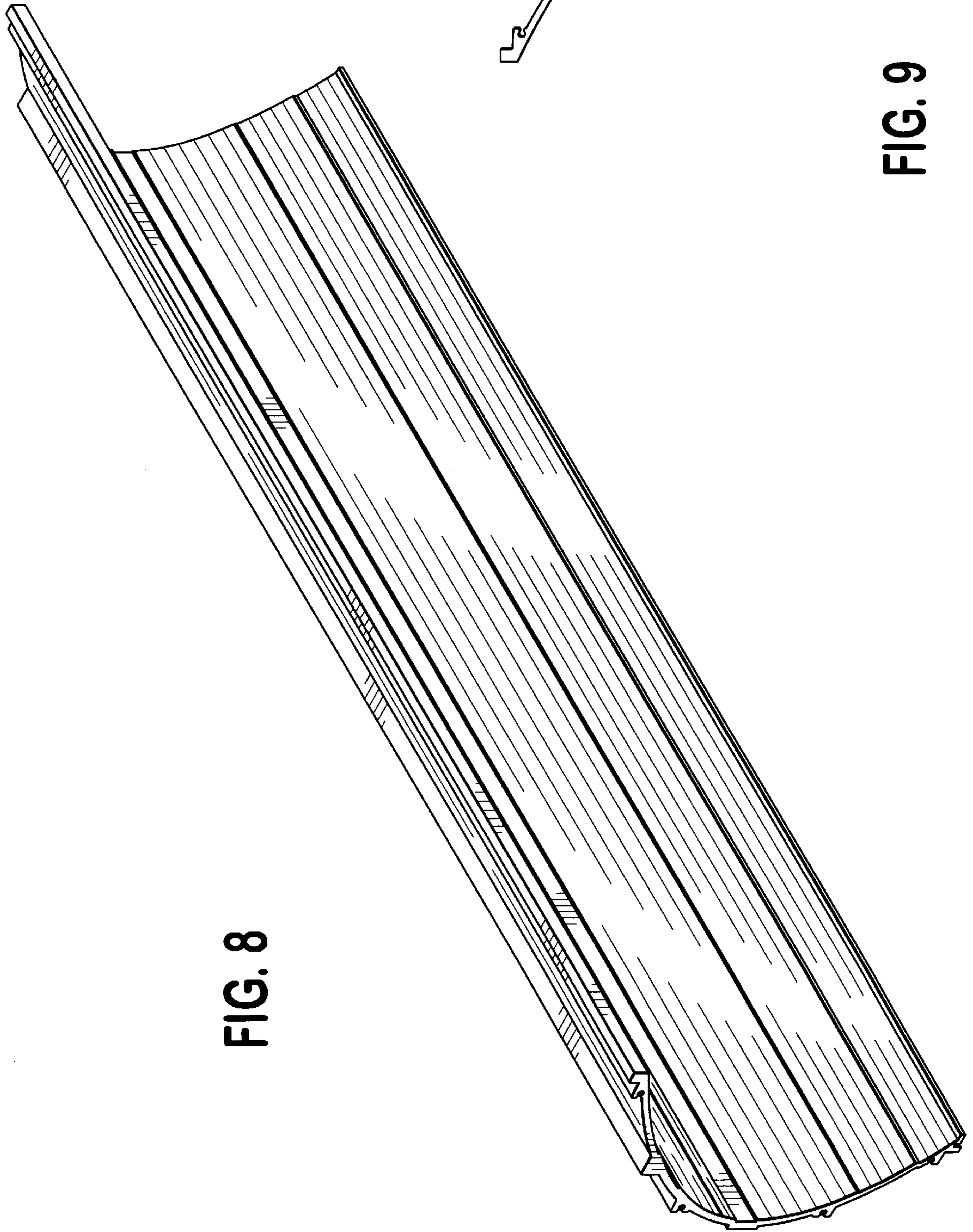


FIG. 8

FIG. 9

FIG. 10

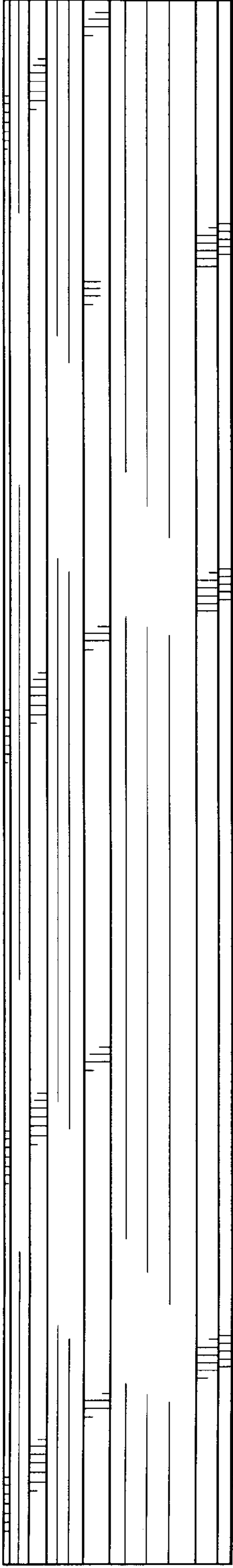


FIG. 11

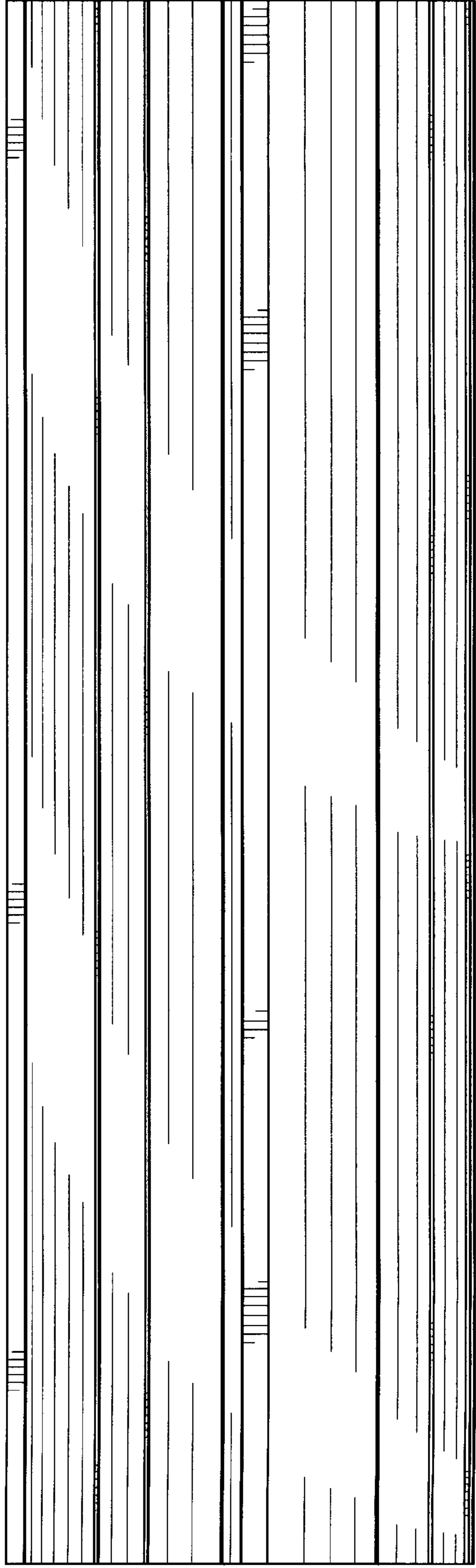


FIG. 12

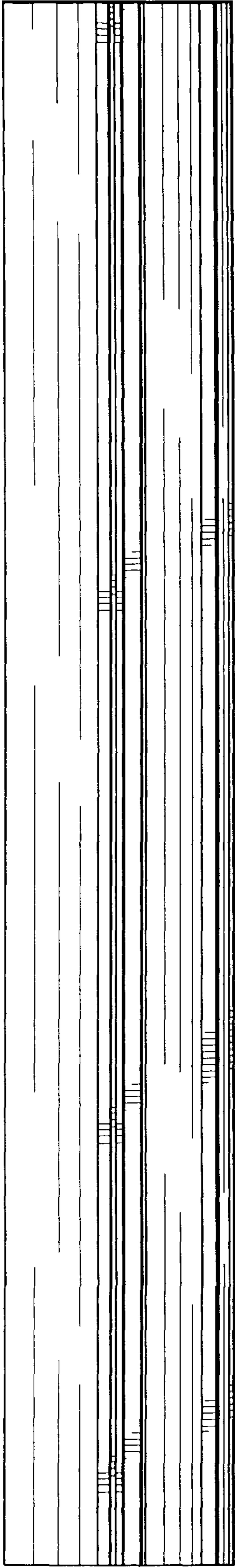
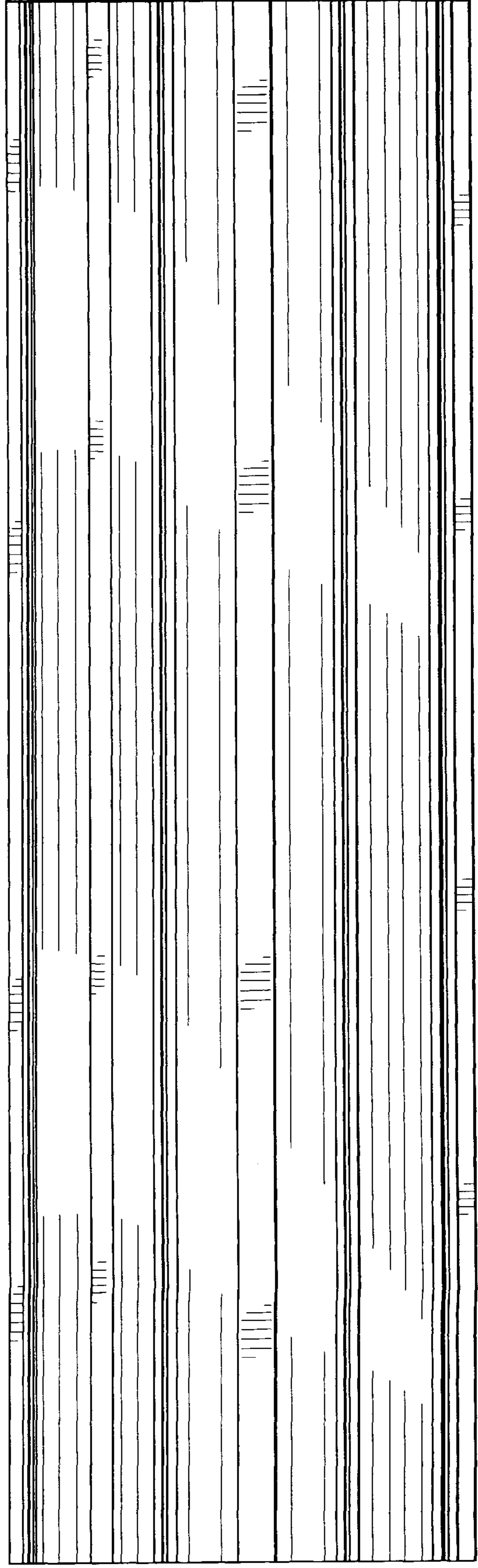


FIG. 13



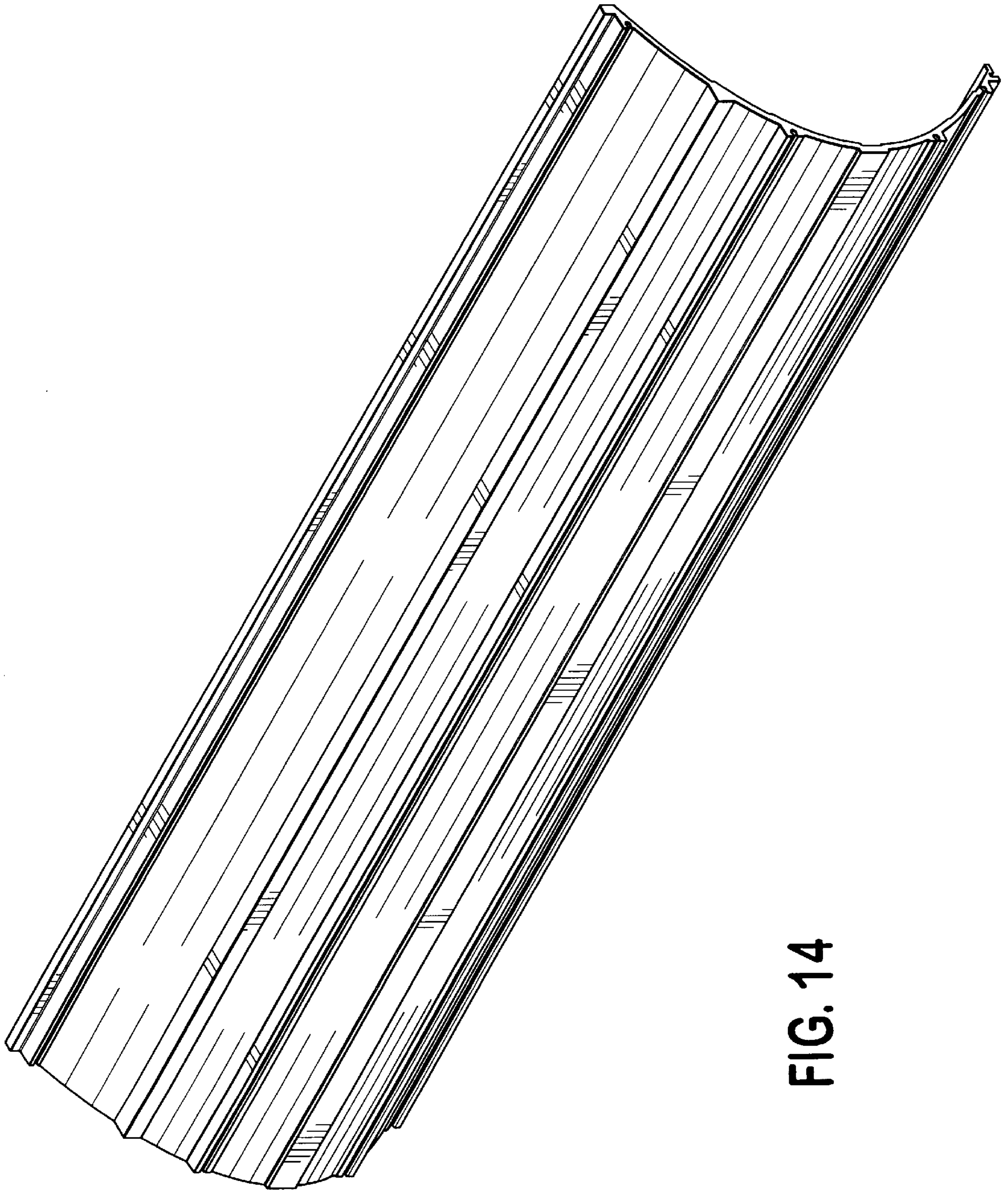


FIG. 14