



US00D438134S

(12) **United States Design Patent**  
**Sloven**

(10) **Patent No.:** **US D438,134 S**

(45) **Date of Patent:** **\*\* Feb. 27, 2001**

(54) **VEHICLE PARKING INDICATOR LIGHT**

D. 336,314 \* 6/1993 Jeale ..... D20/42

(76) **Inventor:** **Larry Paul Sloven**, 2202, 22/F,  
Welltech Centre, 9 Pat Tat Street, San  
Po Kong, Kowloon (HK)

\* cited by examiner

*Primary Examiner*—Marcus A. Jackson

(74) *Attorney, Agent, or Firm*—Liniak, Berenato, Longacre  
& White

(\*\*) **Term:** **14 Years**

(21) **Appl. No.:** **29/117,283**

(22) **Filed:** **Jan. 21, 2000**

(51) **LOC (7) Cl.** ..... **10-05**

(52) **U.S. Cl.** ..... **D10/109**

(58) **Field of Search** ..... D20/10, 39, 41,  
D20/42; 40/1, 1.6, 299, 584, 590, 591,  
592, 593, 606, 607, 617, 624; 116/63 P,  
63 C, 63 R

(56) **References Cited**

**U.S. PATENT DOCUMENTS**

D. 69,994 \* 4/1926 Johnson ..... D10/109

D. 236,444 \* 8/1975 Nelson ..... D10/109

(57) **CLAIM**

The ornamental design for a vehicle parking indicator light,  
as shown and described.

**DESCRIPTION**

FIG. 1 is a front view of a vehicle parking indicator light  
showing my new design.

FIG. 2 is a rear view of the light shown in FIG. 1.

FIG. 3 is a top view of the light shown in FIG. 1.

FIG. 4 is a bottom view of the light shown in FIG. 1.

FIG. 5 is a left side view of the light shown in FIG. 1.

FIG. 6 is a right side view of the light shown in FIG. 1; and,

FIG. 7 is a top and left side perspective view of the light  
shown in FIG. 1.

**1 Claim, 4 Drawing Sheets**

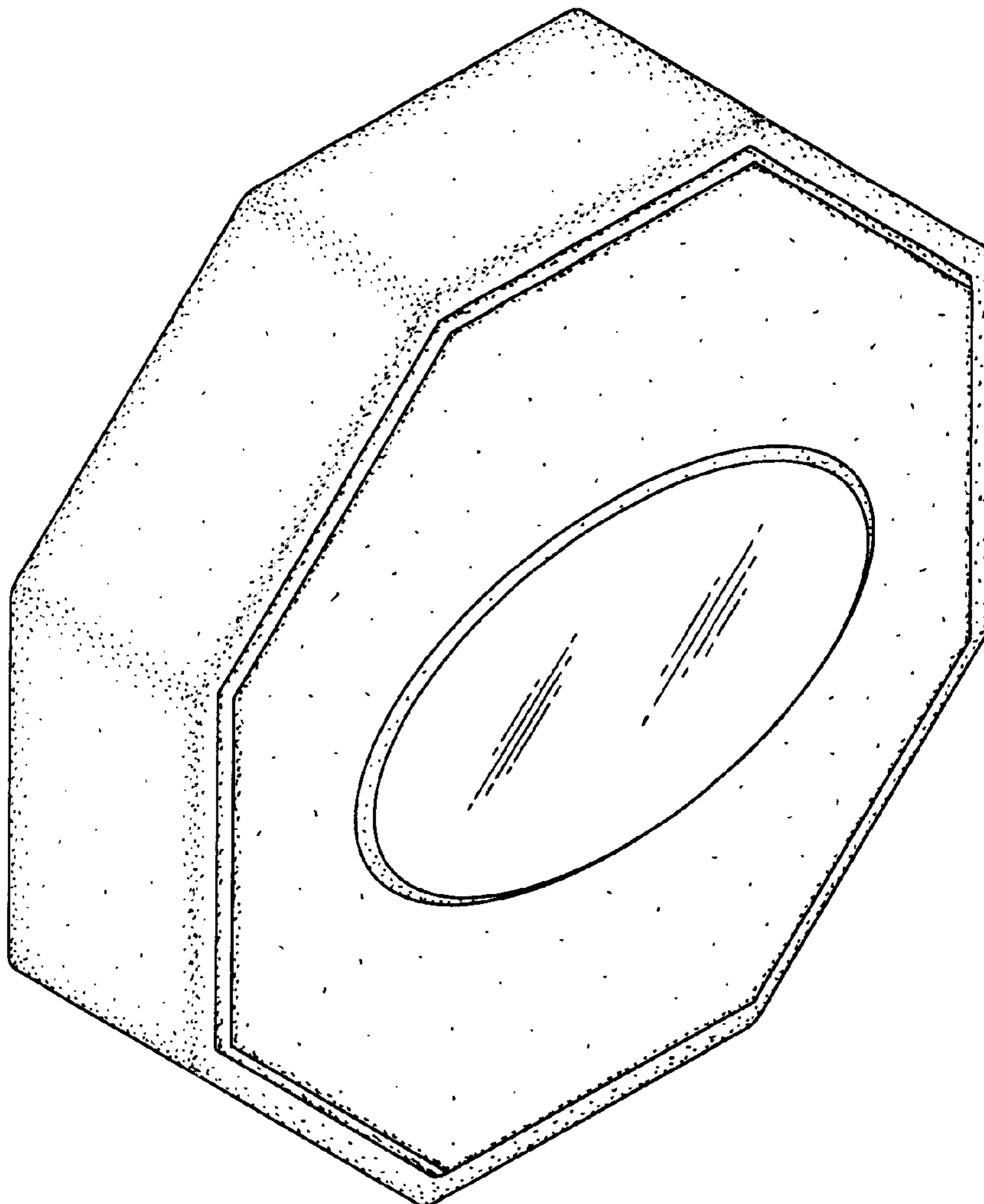


Fig. 1

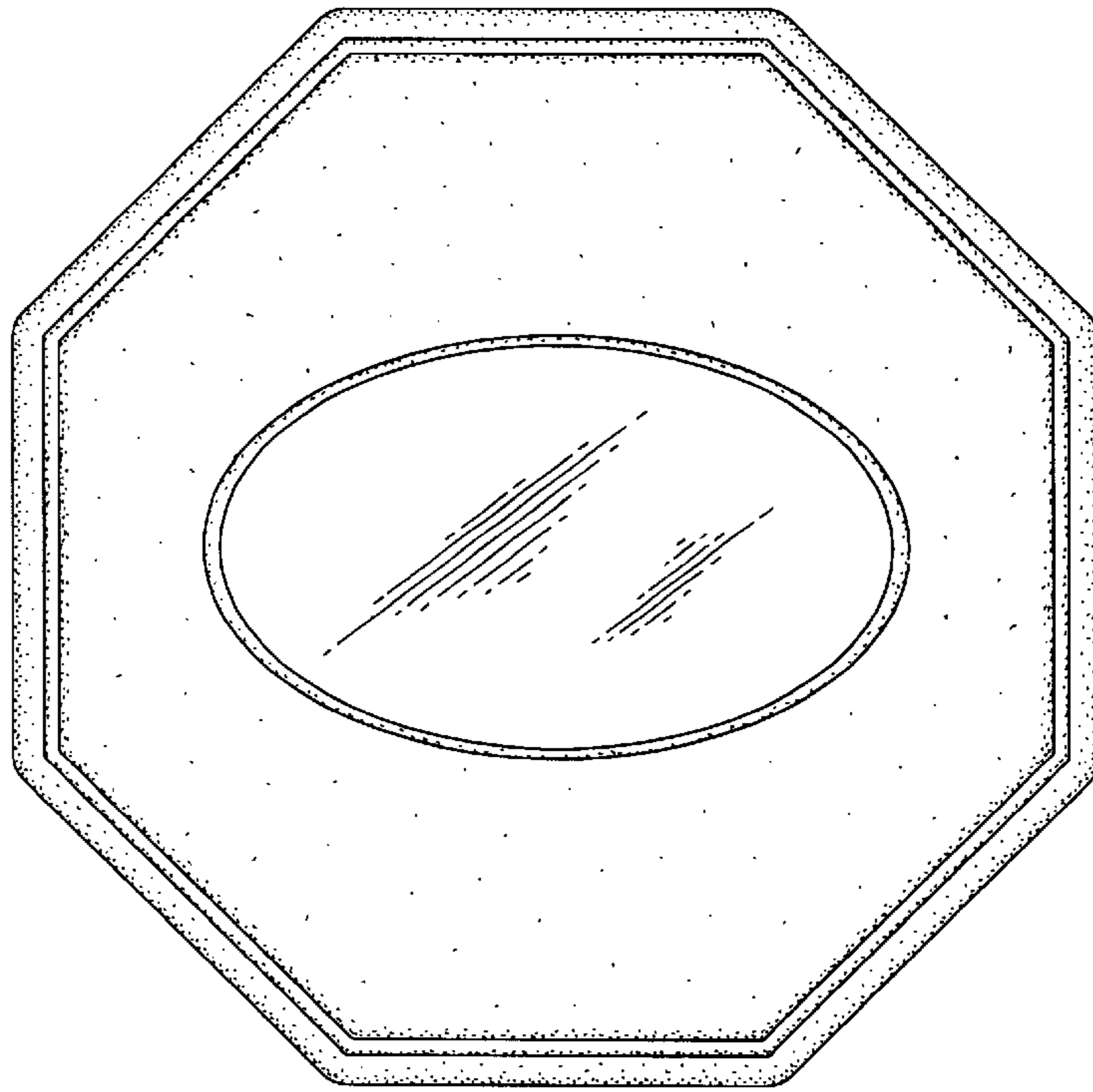


Fig. 2

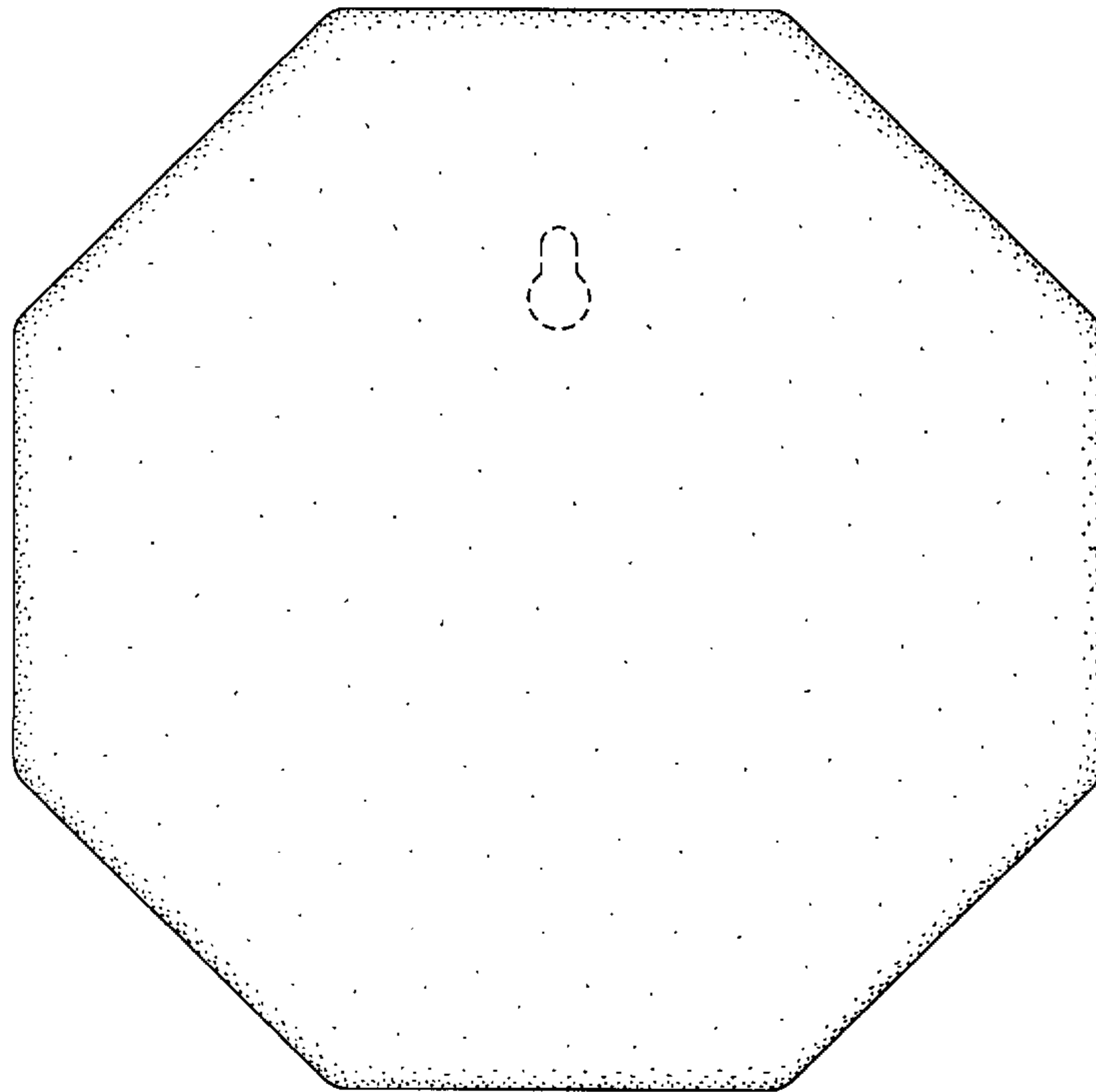


Fig. 3

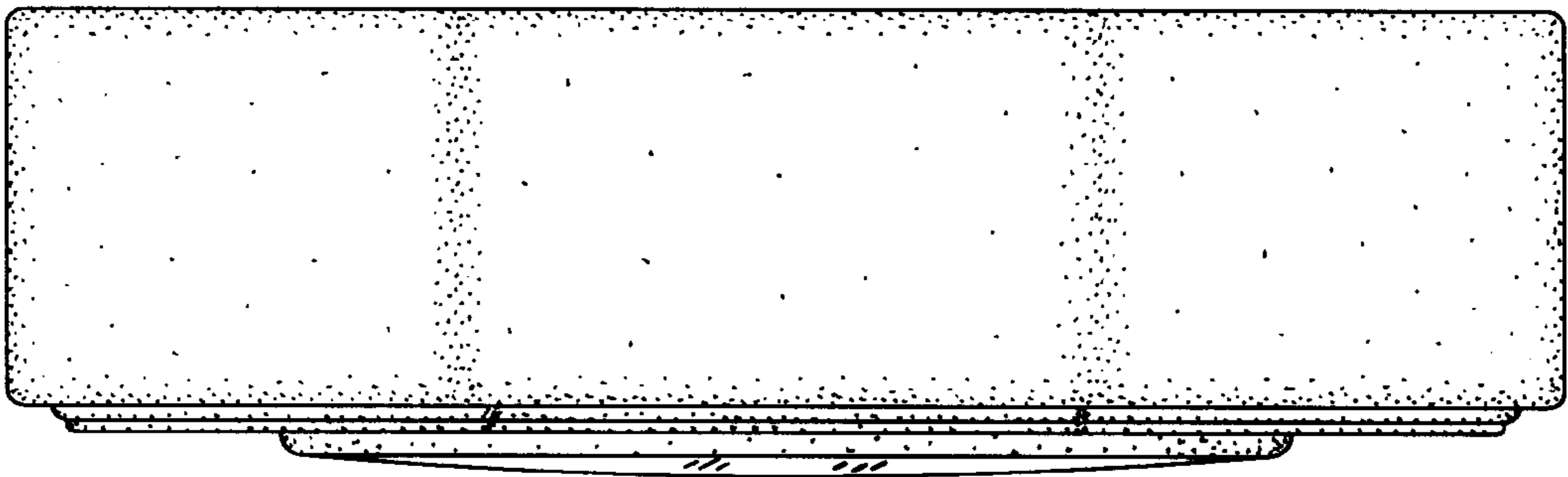


Fig. 4

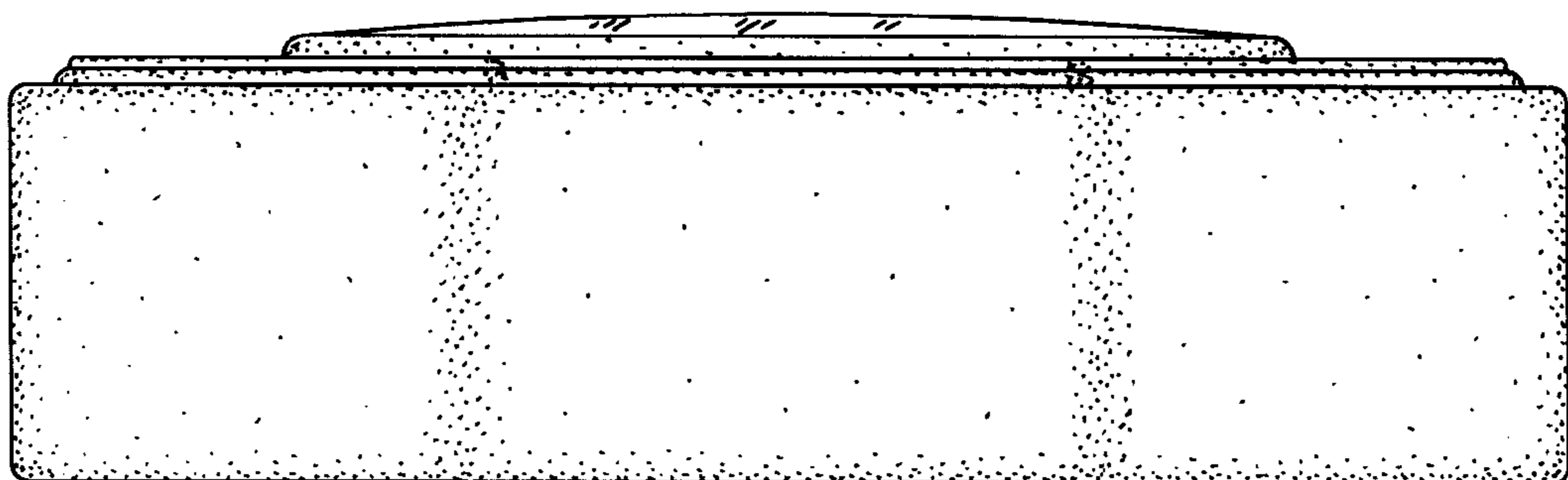


Fig. 5



Fig. 6

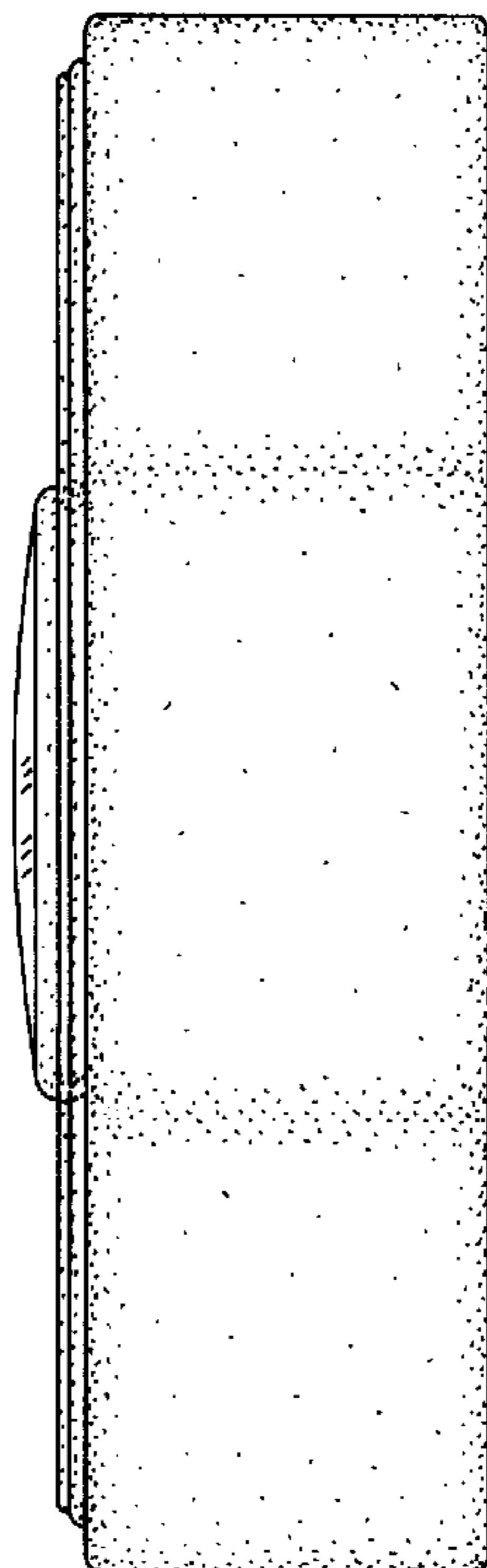


Fig. 7

