



US00D438133S

(12) **United States Design Patent**
Leen

(10) **Patent No.:** **US D438,133 S**

(45) **Date of Patent:** **** Feb. 27, 2001**

(54) **DUAL FUNCTION LIGHT SENSOR HEAD**

(76) Inventor: **Monte A. Leen**, 11730 NE. 12th St.,
Bellevue, WA (US) 98005

(**) Term: **14 Years**

(21) Appl. No.: **29/123,207**

(22) Filed: **May 11, 2000**

(51) **LOC (7) Cl.** **10-05**

(52) **U.S. Cl.** **D10/106**

(58) **Field of Search** D10/104, 106,
D10/116, 121; 340/521, 540, 541, 543,
545, 555, 558, 571, 572, 573

(56) **References Cited**

U.S. PATENT DOCUMENTS

D. 427,101 * 6/2000 Zeen D10/106

D. 428,352 * 7/2000 Hiller et al. D10/106

* cited by examiner

Primary Examiner—Marcus A. Jackson

(74) *Attorney, Agent, or Firm*—Dean A. Craine

(57) **CLAIM**

The ornamental design for a dual function light sensor head,
as shown and described.

DESCRIPTION

FIG. 1 is a perspective view of the dual function light sensor
head.

FIG. 2 is front plan elevation view of the invention.

FIG. 3 is a rear plan elevation view of the invention.

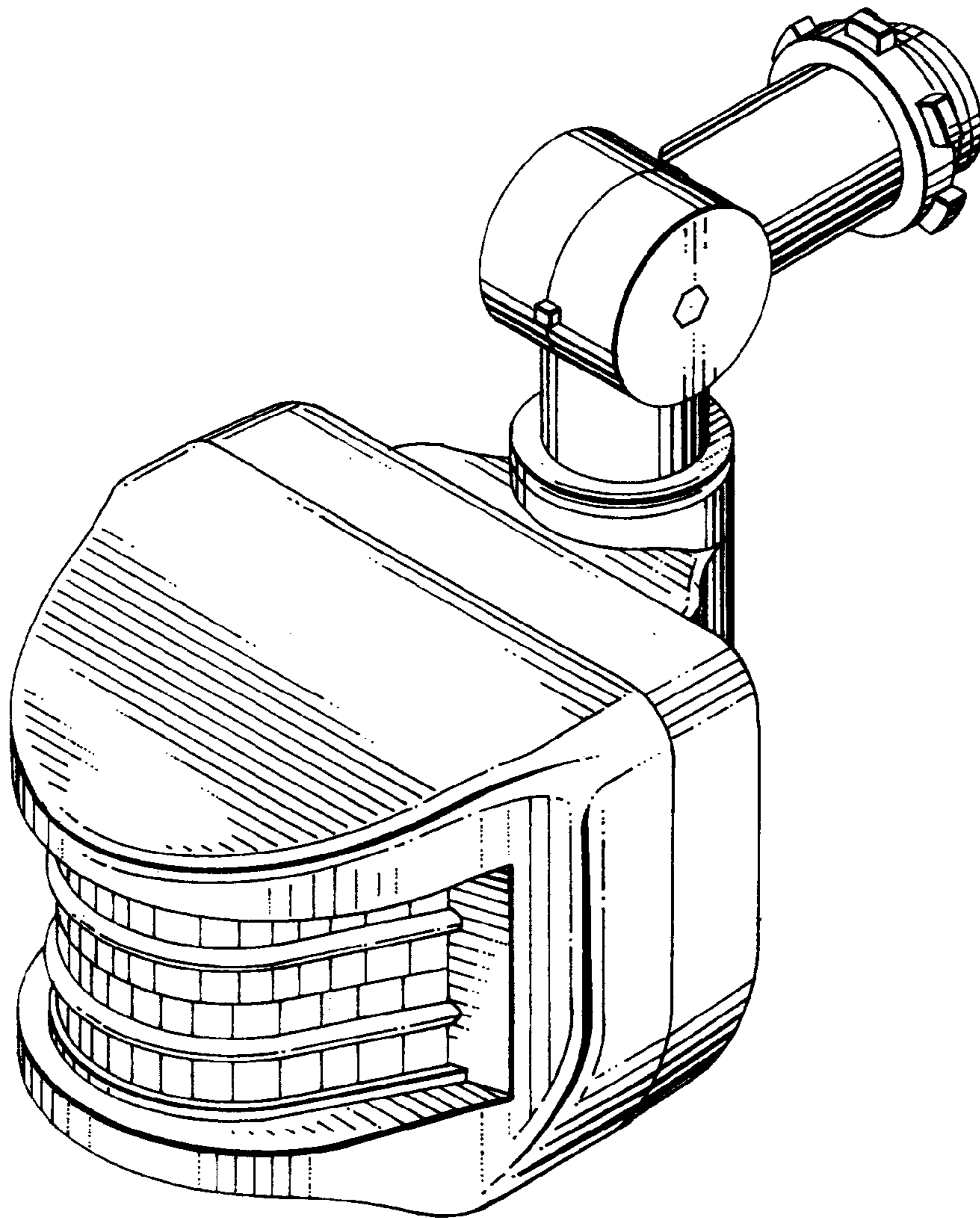
FIG. 4 is a left side elevation view of the invention.

FIG. 5 is a right side elevation view of the invention.

FIG. 6 is a top plan view of the invention; and,

FIG. 7 is a bottom plan view of the invention.

1 Claim, 3 Drawing Sheets



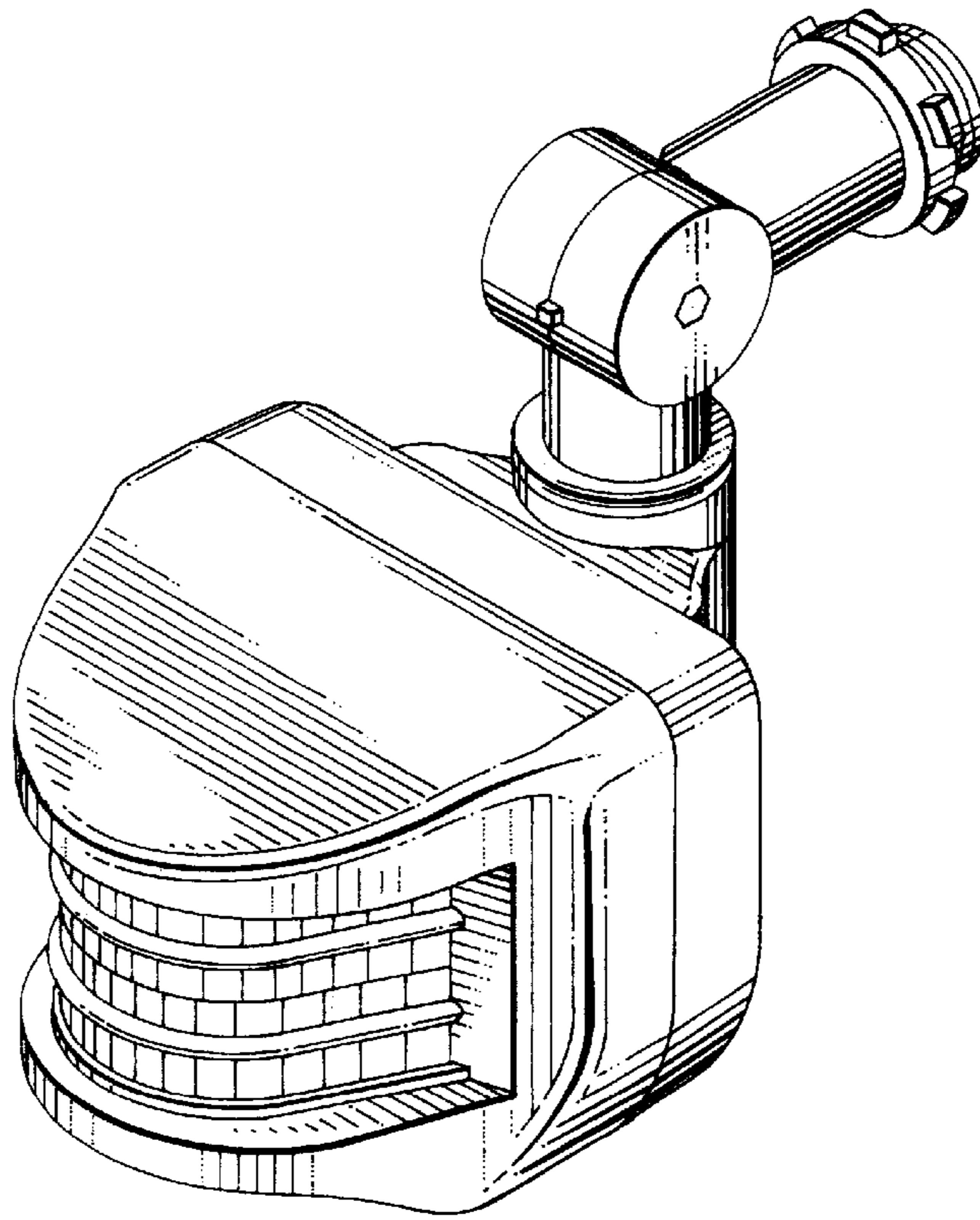


FIG. 1

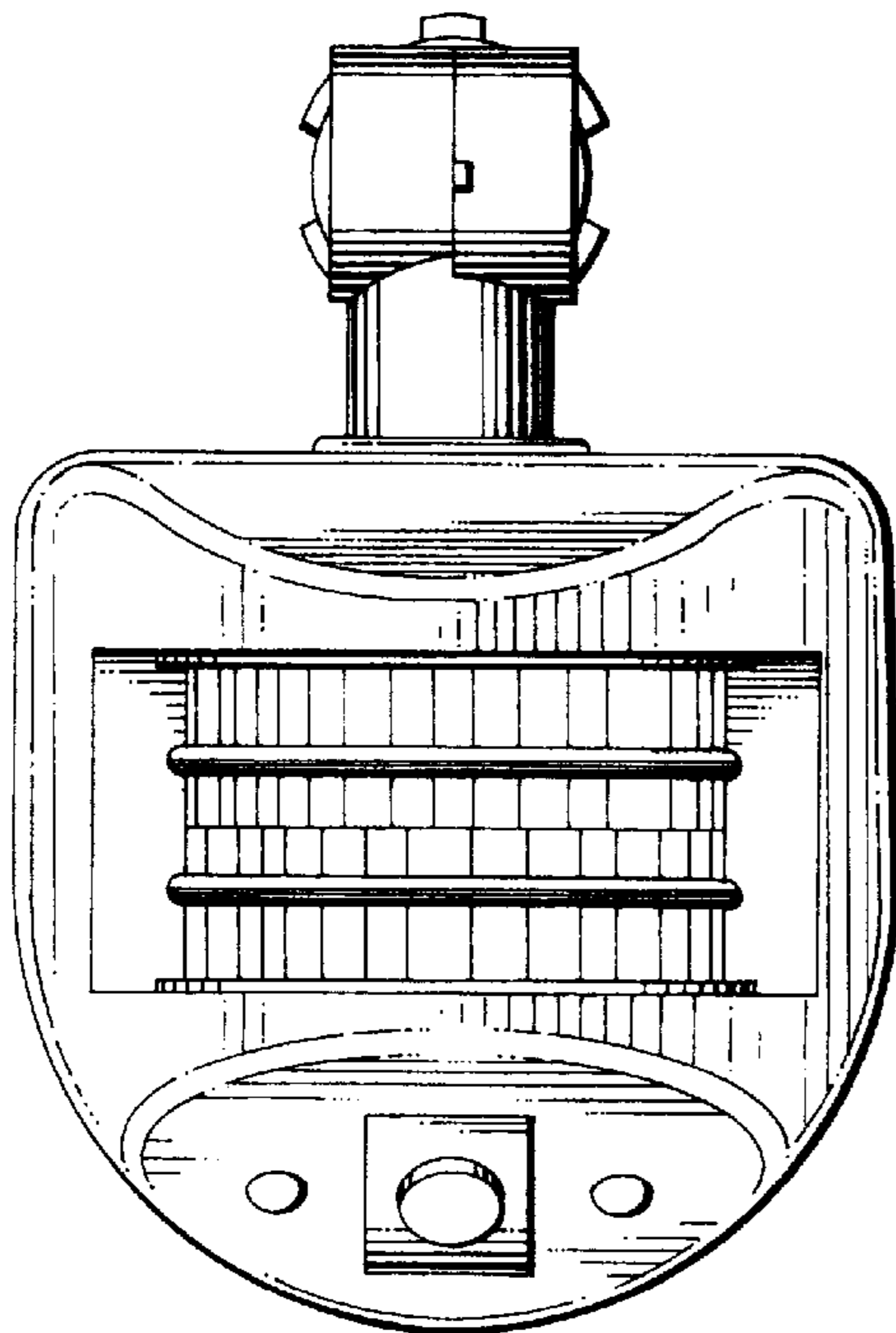


FIG. 2

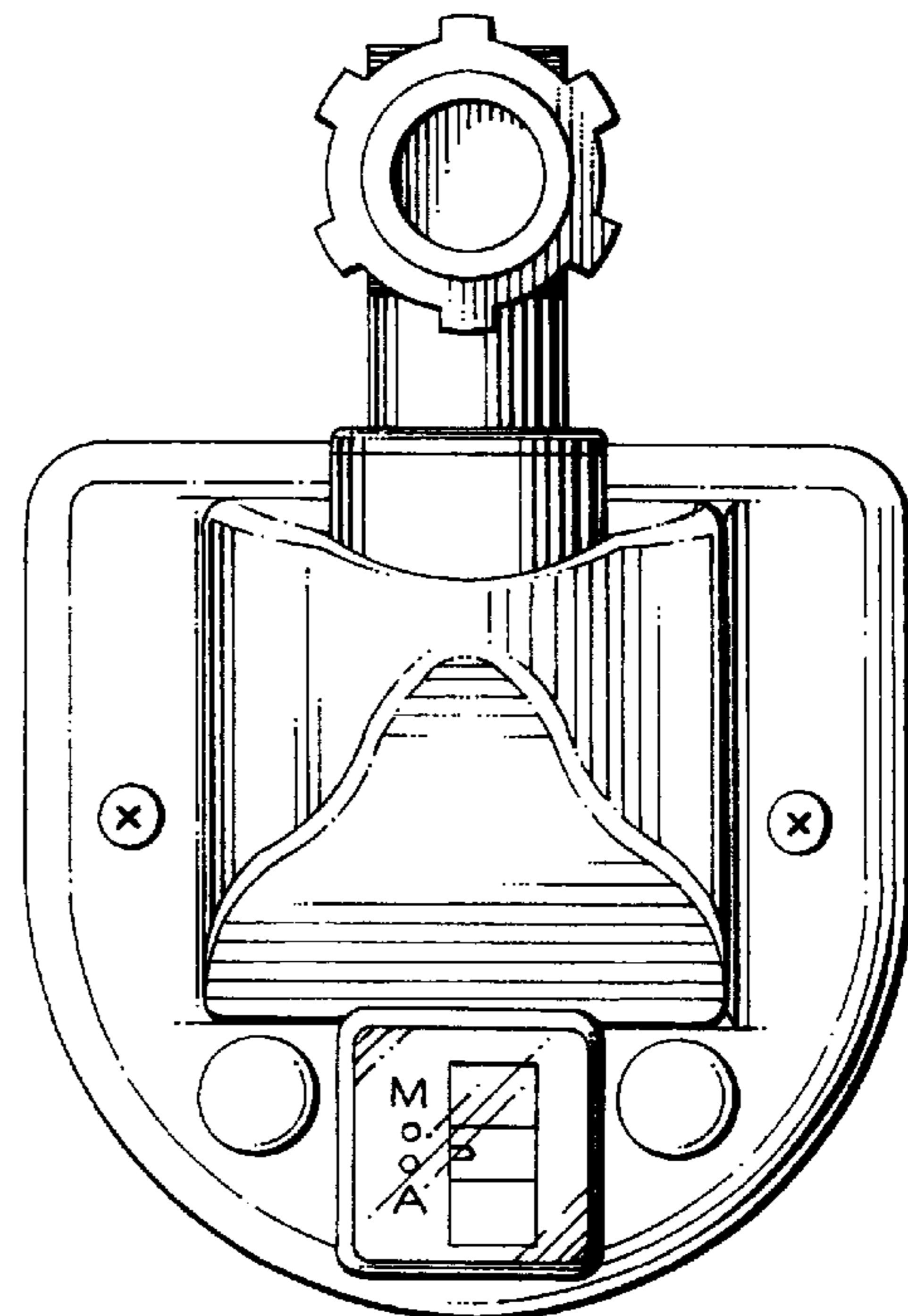


FIG. 3

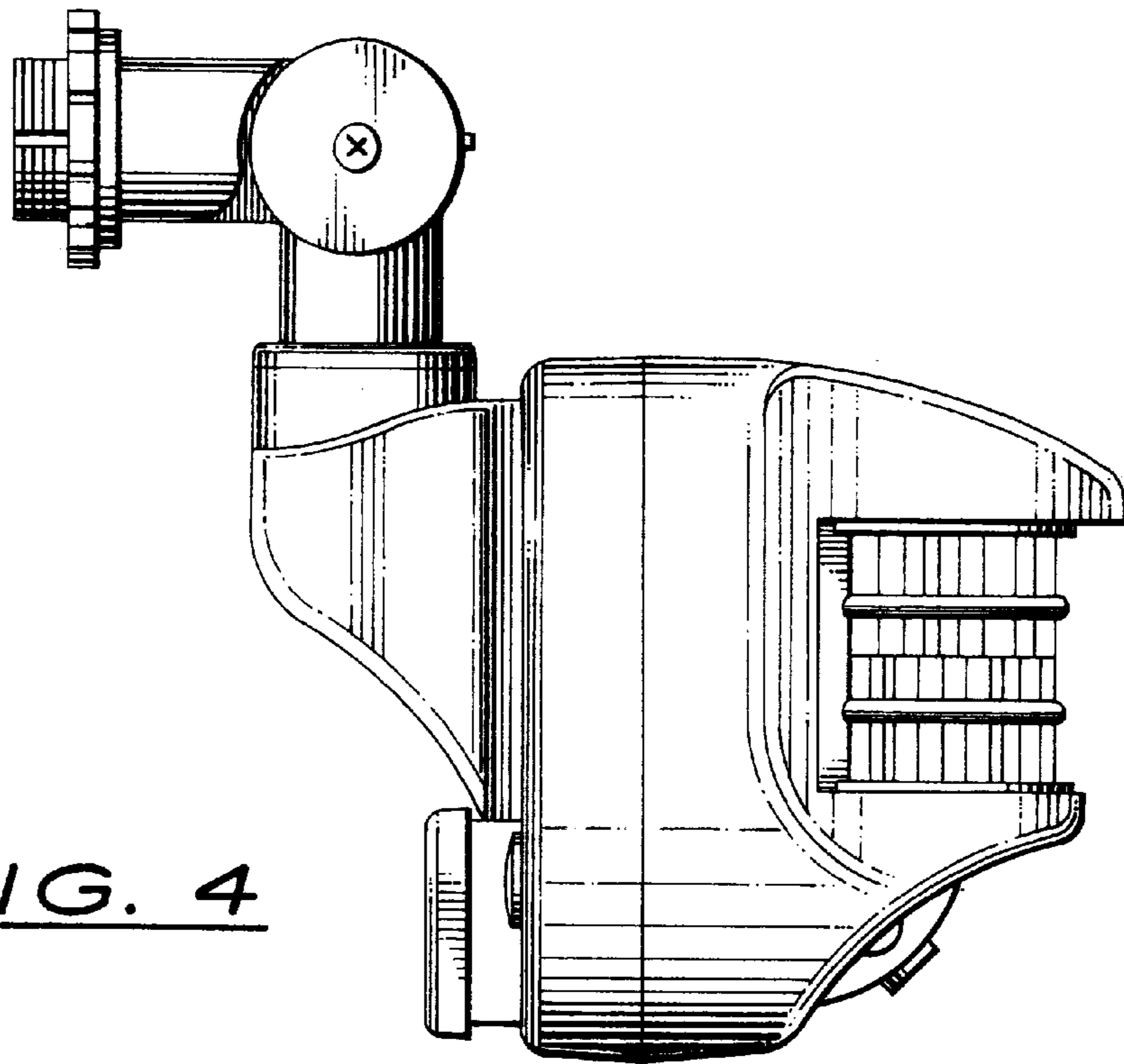


FIG. 4

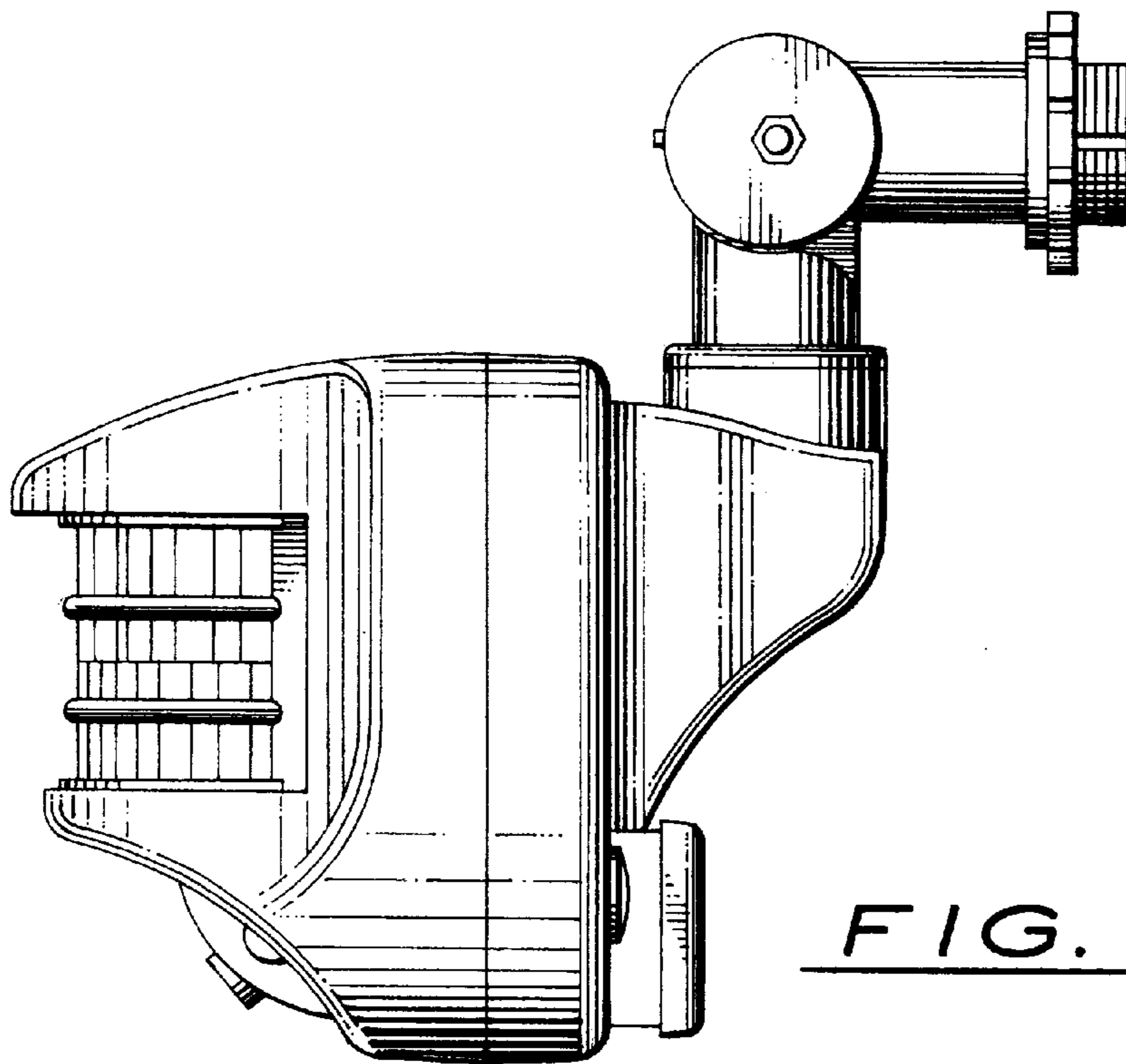


FIG. 5

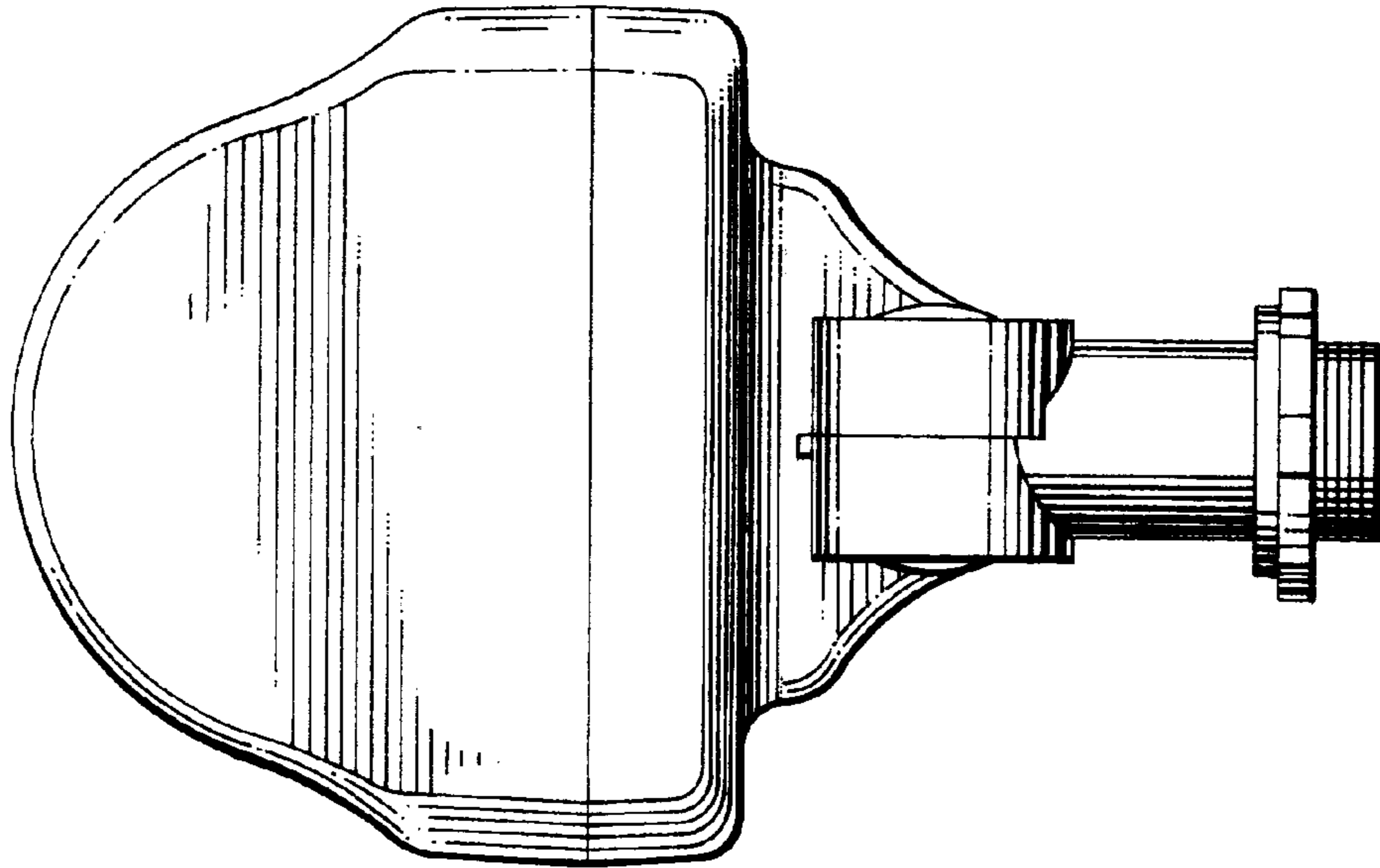


FIG. 6

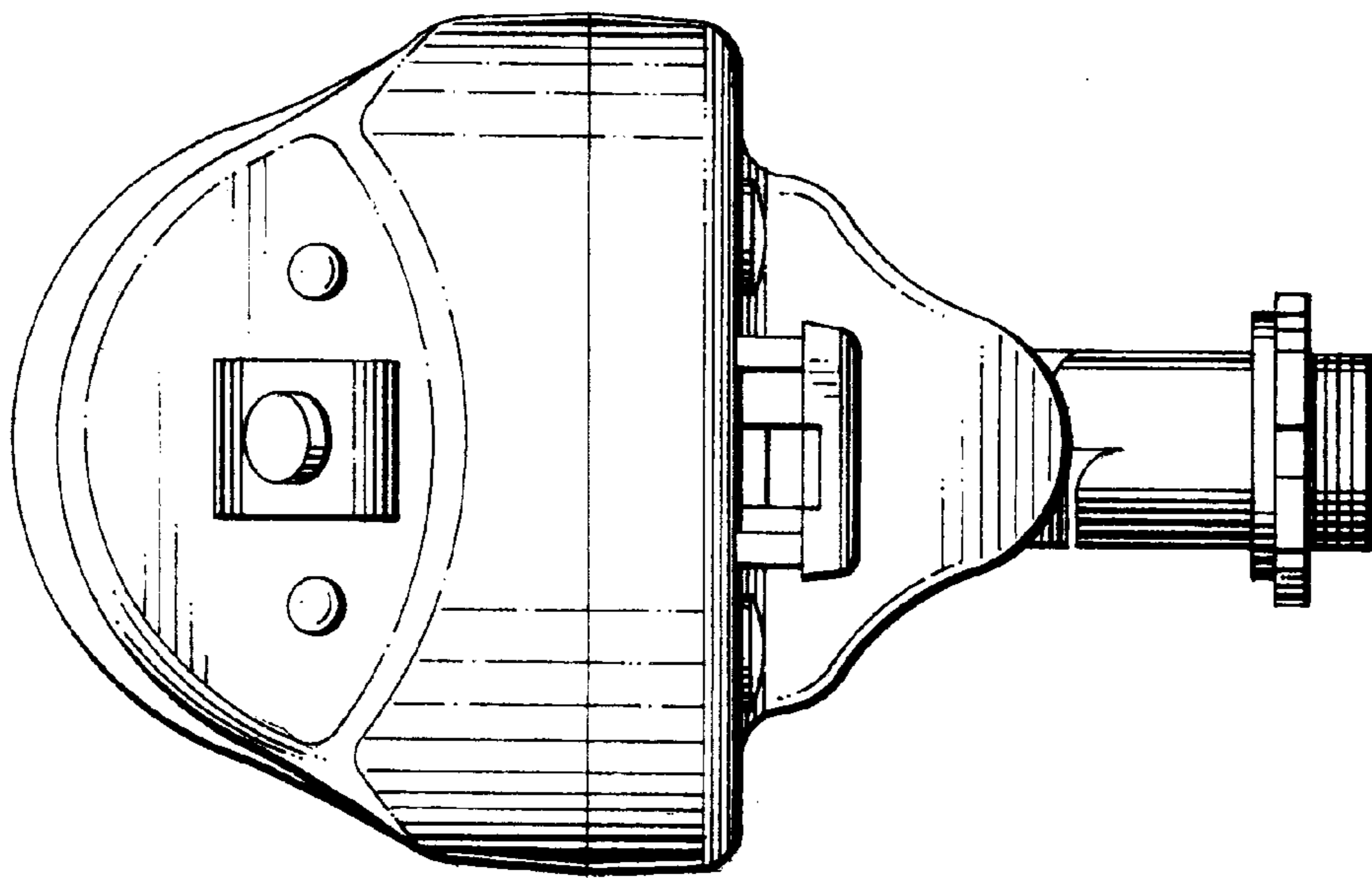


FIG. 7