



US00D438130S

(12) **United States Design Patent**  
**Modisett**

(10) **Patent No.:** **US D438,130 S**

(45) **Date of Patent:** **\*\* Feb. 27, 2001**

(54) **TAPE MEASURE TRUCK**

5,425,181 6/1995 Calvert ..... 33/770  
5,782,007 7/1998 Harris ..... 33/768

(76) Inventor: **David Modisett**, 3912 Broadway,  
Haltom City, TX (US) 76117

\* cited by examiner

(\*\*) Term: **14 Years**

*Primary Examiner*—Antoine Duval Davis  
(74) *Attorney, Agent, or Firm*—Dennis T. Griggs

(21) Appl. No.: **29/120,218**

(57) **CLAIM**

(22) Filed: **Mar. 14, 2000**

The ornamental design for a tape measure truck, as shown and described.

(51) **LOC (7) Cl.** ..... **10-04**

(52) **U.S. Cl.** ..... **D10/74**

(58) **Field of Search** ..... D10/74; 33/757,  
33/761, 768, 770

**DESCRIPTION**

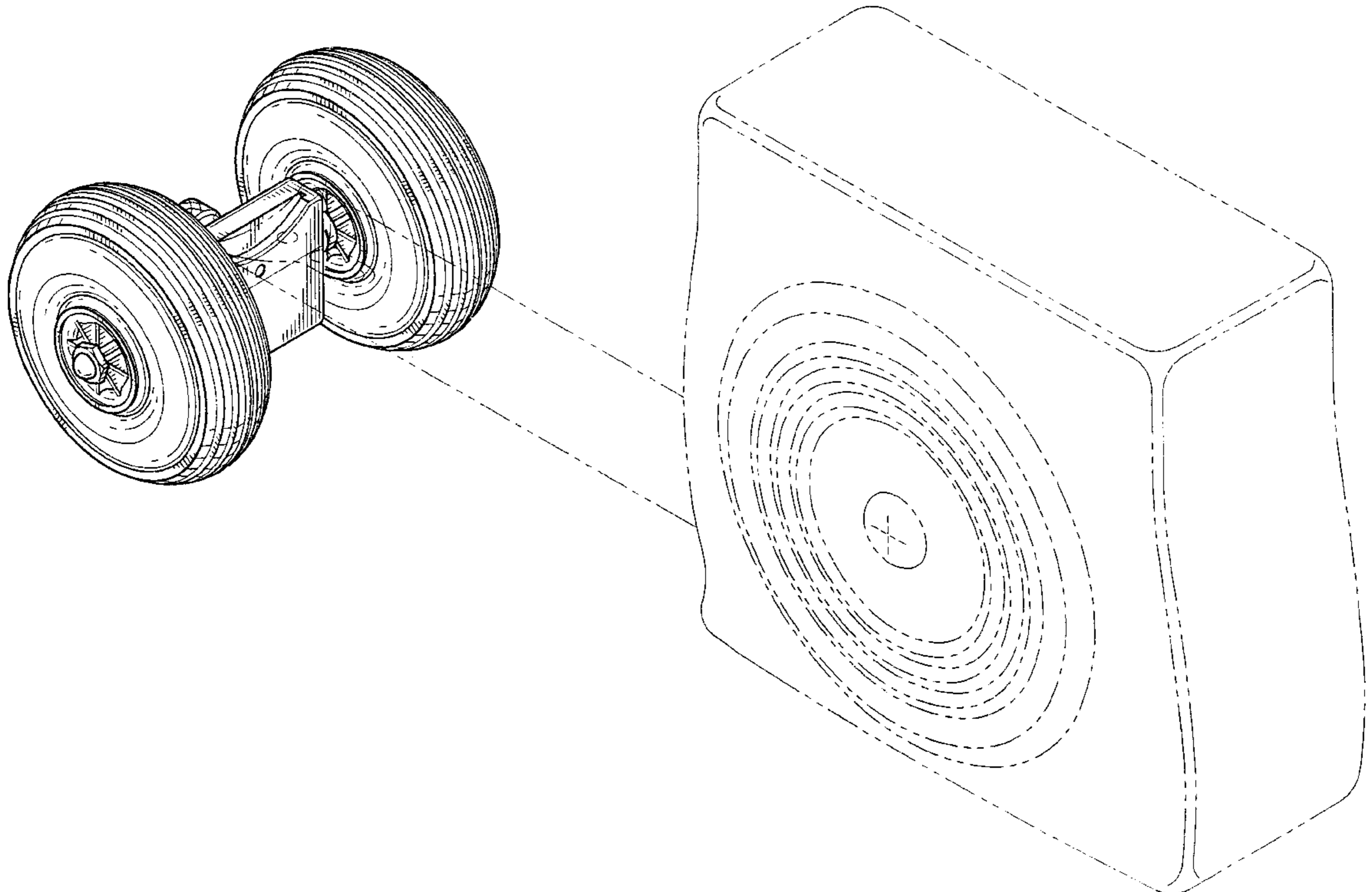
(56) **References Cited**

**U.S. PATENT DOCUMENTS**

2,711,030	*	6/1955	Drew et al.	33/757
3,204,339		9/1965	Jorde	33/137
3,276,490		10/1966	Johansson	143/32
3,745,663		7/1973	Dodge	33/173
3,965,579		6/1976	Woods	33/137 R
5,214,859		6/1993	Buhler	33/770
5,231,769		8/1993	Mahan	33/770
5,295,308		3/1994	Stevens et al.	33/770

FIG. 1 is a front elevational view of a tape measure truck showing my new design;  
FIG. 2 is a left side elevational view thereof, the right side elevational view being a mirror image thereof;  
FIG. 3 is a top plan view thereof;  
FIG. 4 is a bottom plan view thereof;  
FIG. 5 is a rear elevational view thereof; and,  
FIG. 6 is a rear perspective view thereof, the broken lines showing a tape measure being included for the purpose of illustrating environmental elements only and forming no part of the claimed design.

**1 Claim, 2 Drawing Sheets**



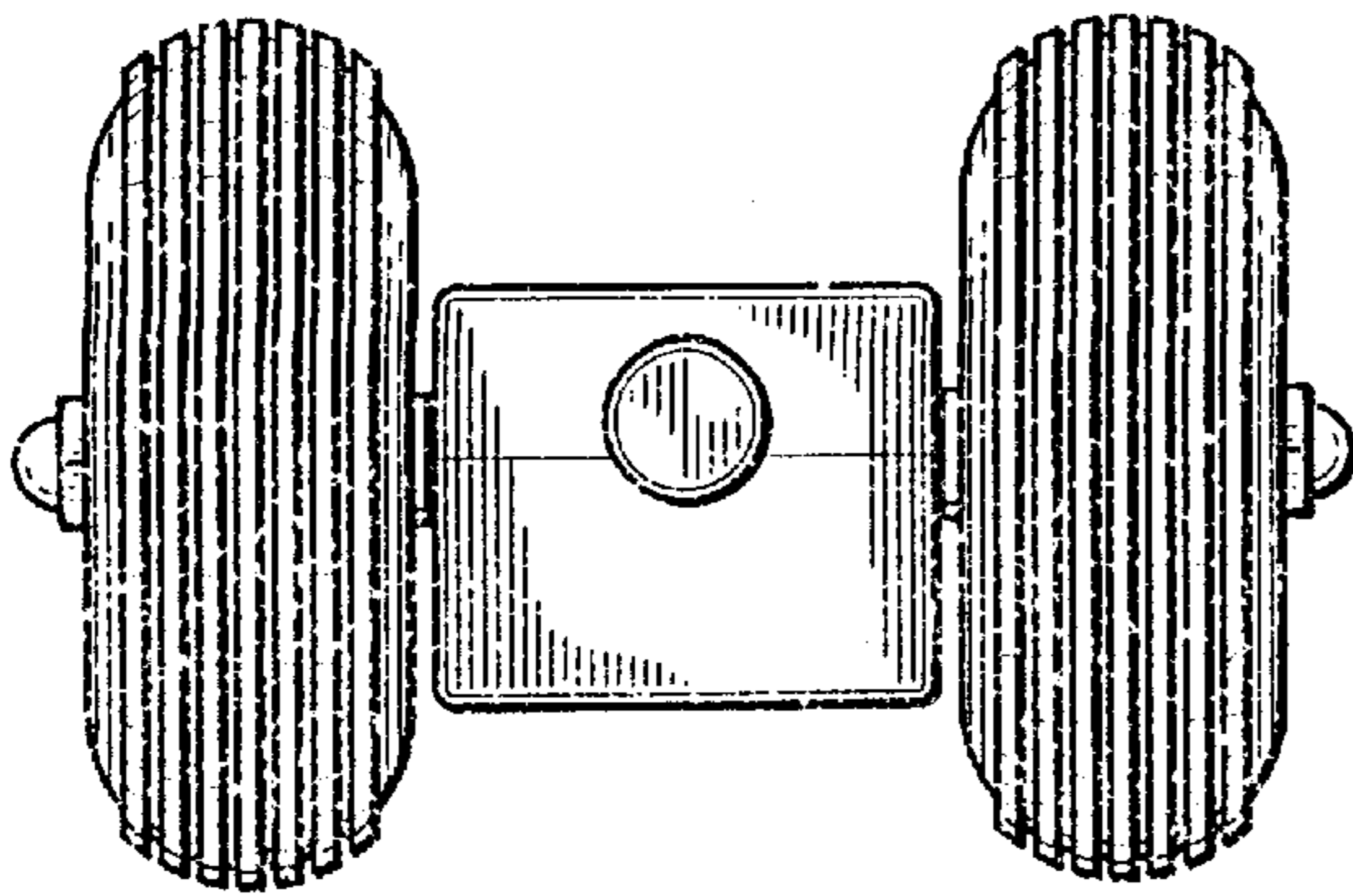


FIG. 1

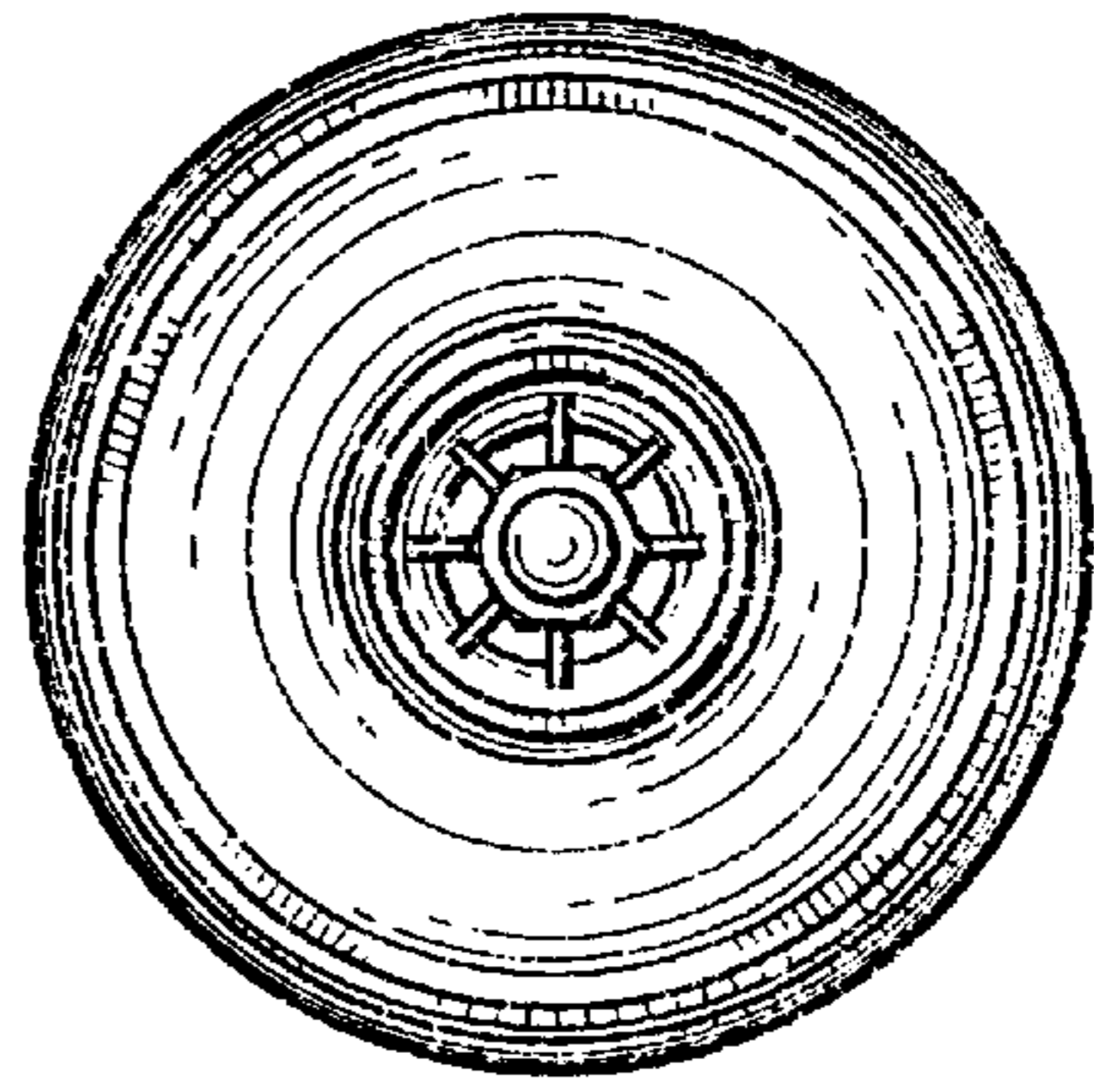


FIG. 2

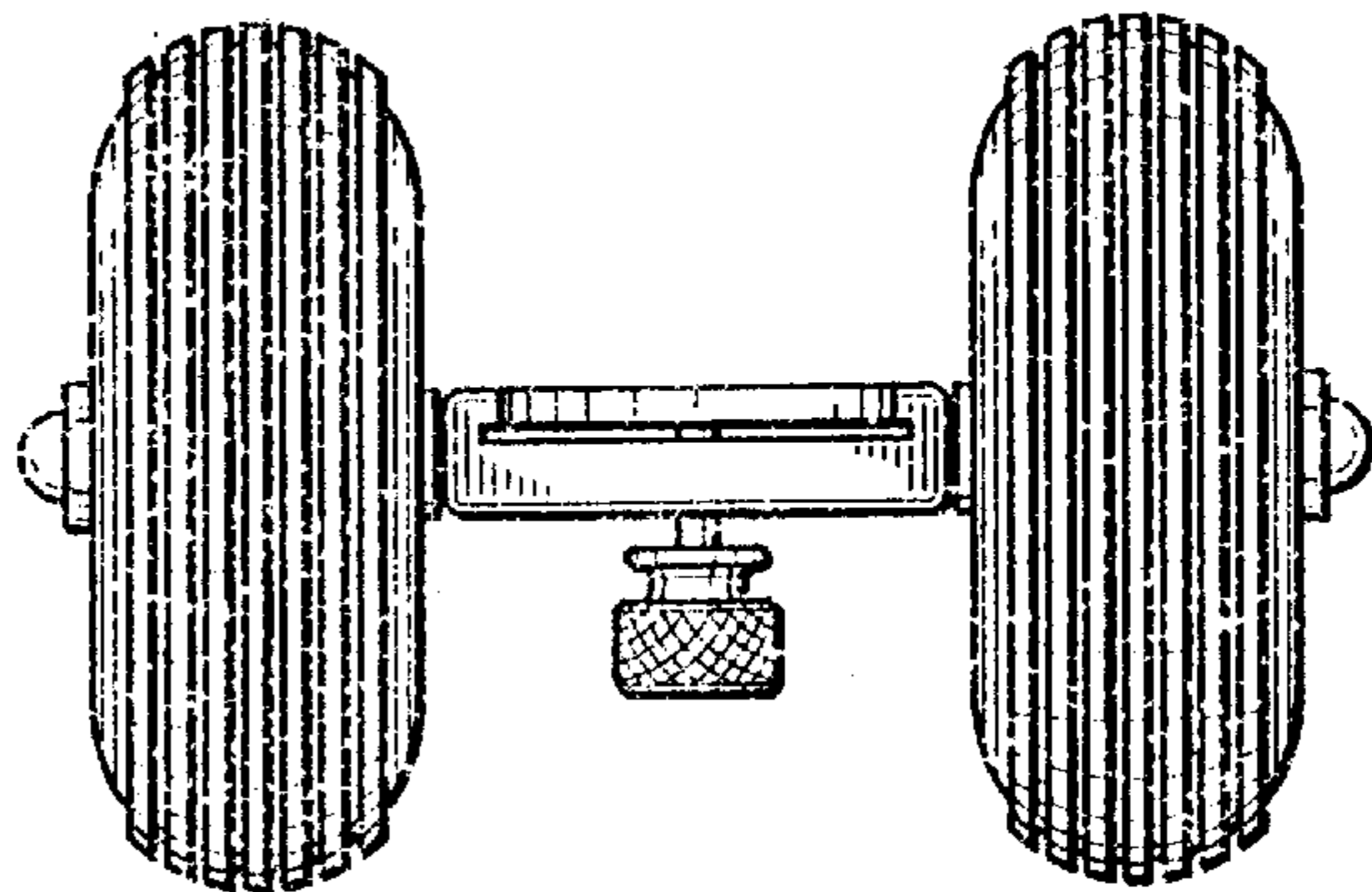


FIG. 3

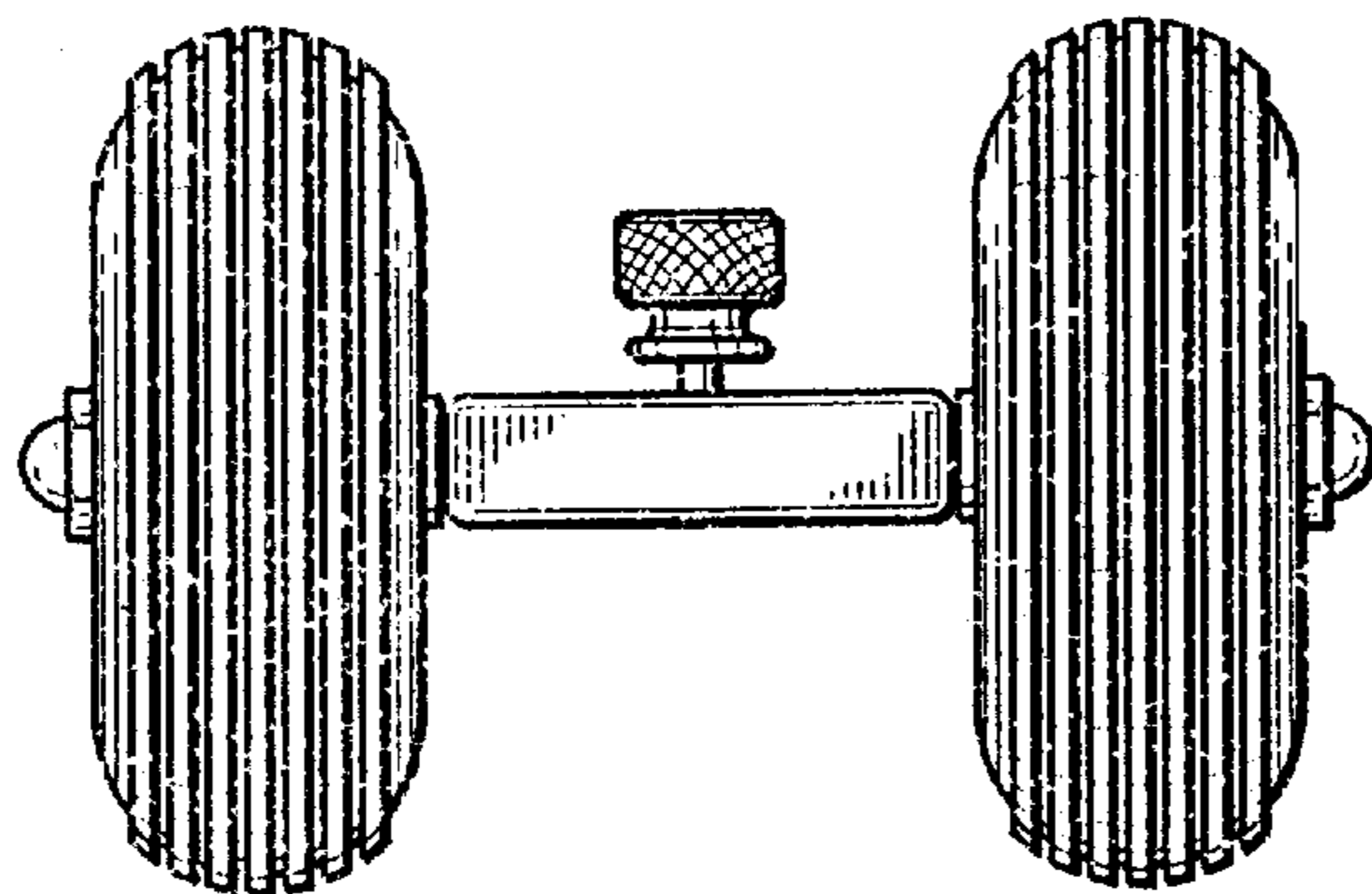


FIG. 4

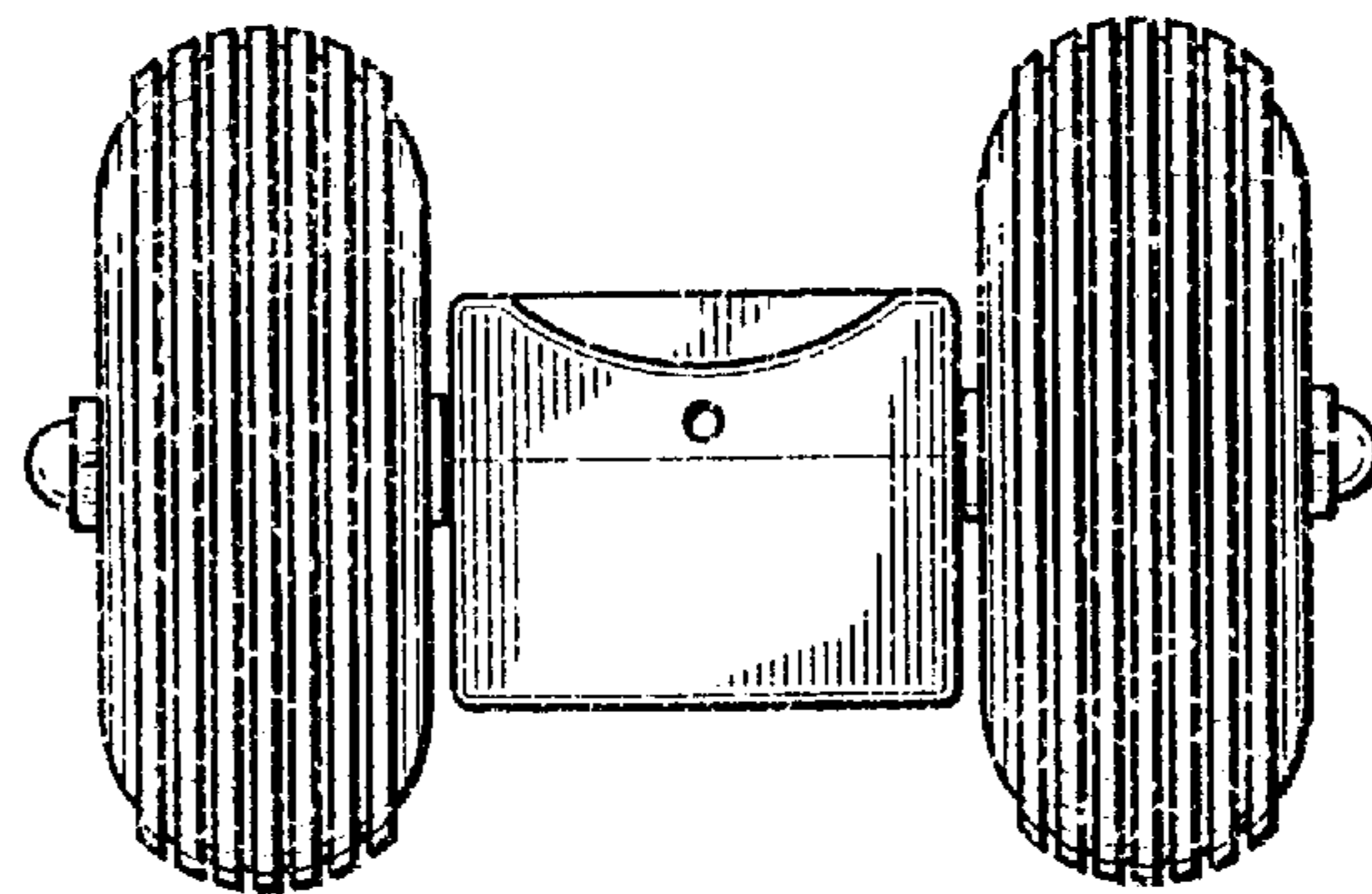


FIG. 5

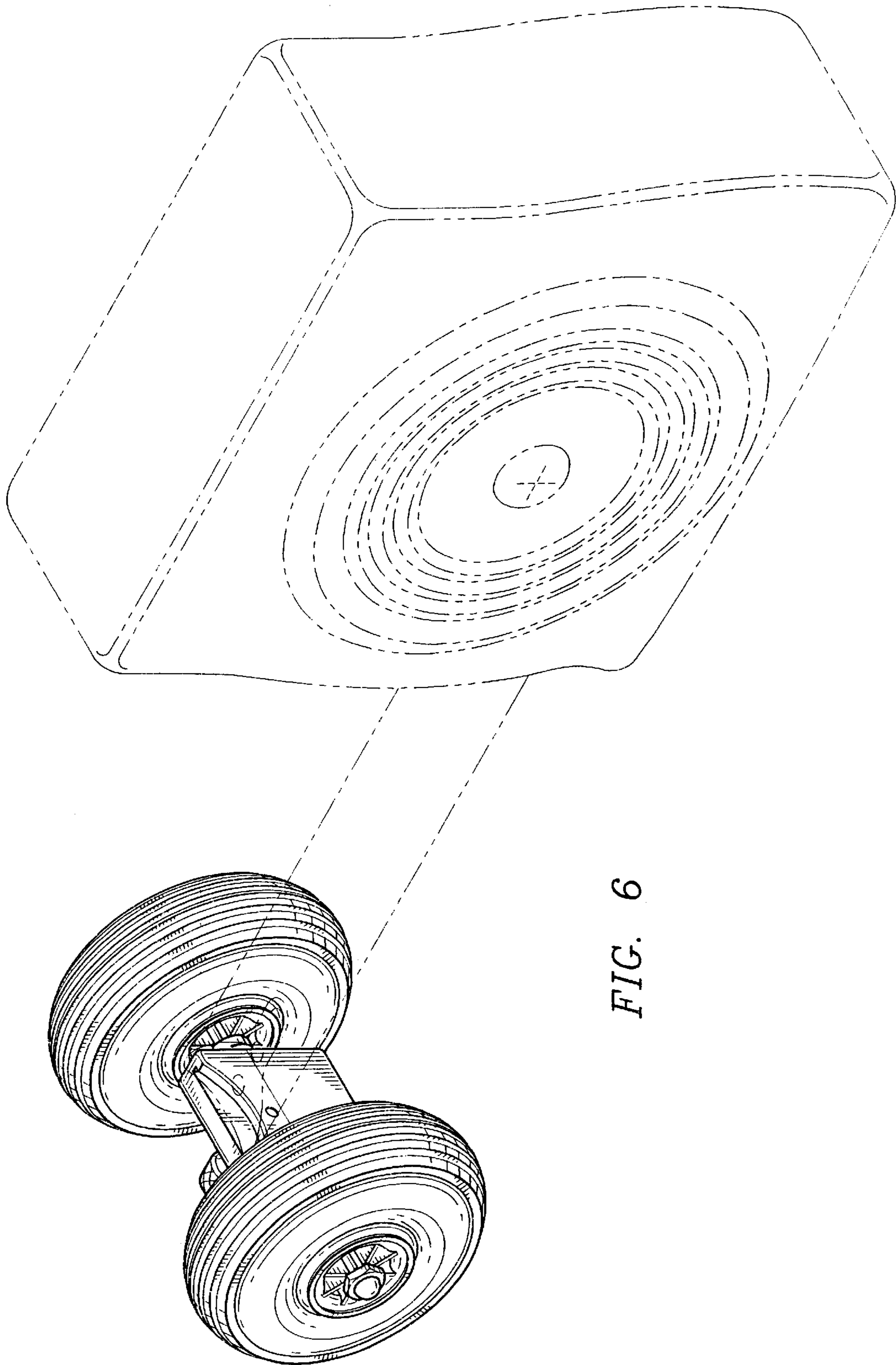


FIG. 6