



US00D438128S

(12) **United States Design Patent**
Knight et al.

(10) **Patent No.:** **US D438,128 S**

(45) **Date of Patent:** **** Feb. 27, 2001**

(54) **TAPE MEASURER**

Primary Examiner—Antoine Duval Davis

(76) Inventors: **Clarence E Knight; Anita Knight,**
both of 400 Pilgrim, Highland Park, MI
(US) 48203

(57) **CLAIM**

The ornamental design for a tape measurer, as shown and described.

(**) Term: **14 Years**

DESCRIPTION

(21) Appl. No.: **29/119,187**

FIG. 1 is a top, front, left side perspective view of the tape measurer of the present invention;

(22) Filed: **Feb. 25, 2000**

FIG. 2 is a front elevational view of the tape measurer of FIG. 1;

(51) **LOC (7) Cl.** **10-04**

(52) **U.S. Cl.** **D10/72**

(58) **Field of Search** D10/72; 33/755-770

FIG. 3 is a rear elevational view of the tape measurer of FIG. 1;

(56) **References Cited**

U.S. PATENT DOCUMENTS

D. 236,701	*	9/1975	Fortune	D10/72
D. 360,838		8/1995	Lin .		
D. 376,546		12/1996	Lin .		
D. 379,156		5/1997	Hochstetler .		
D. 379,771		6/1997	Hsu .		
D. 397,626		9/1998	Davis .		
D. 397,950	*	9/1998	Blackman et al.	D10/72
4,443,944		4/1984	Beesley .		
5,477,619	*	12/1995	Kearns	33/668
5,671,543	*	9/1997	Sears	33/668

FIG. 4 is a left side elevational view of the tape measurer of FIG. 1;

FIG. 5 is a right side elevational view of the tape measurer of FIG. 1;

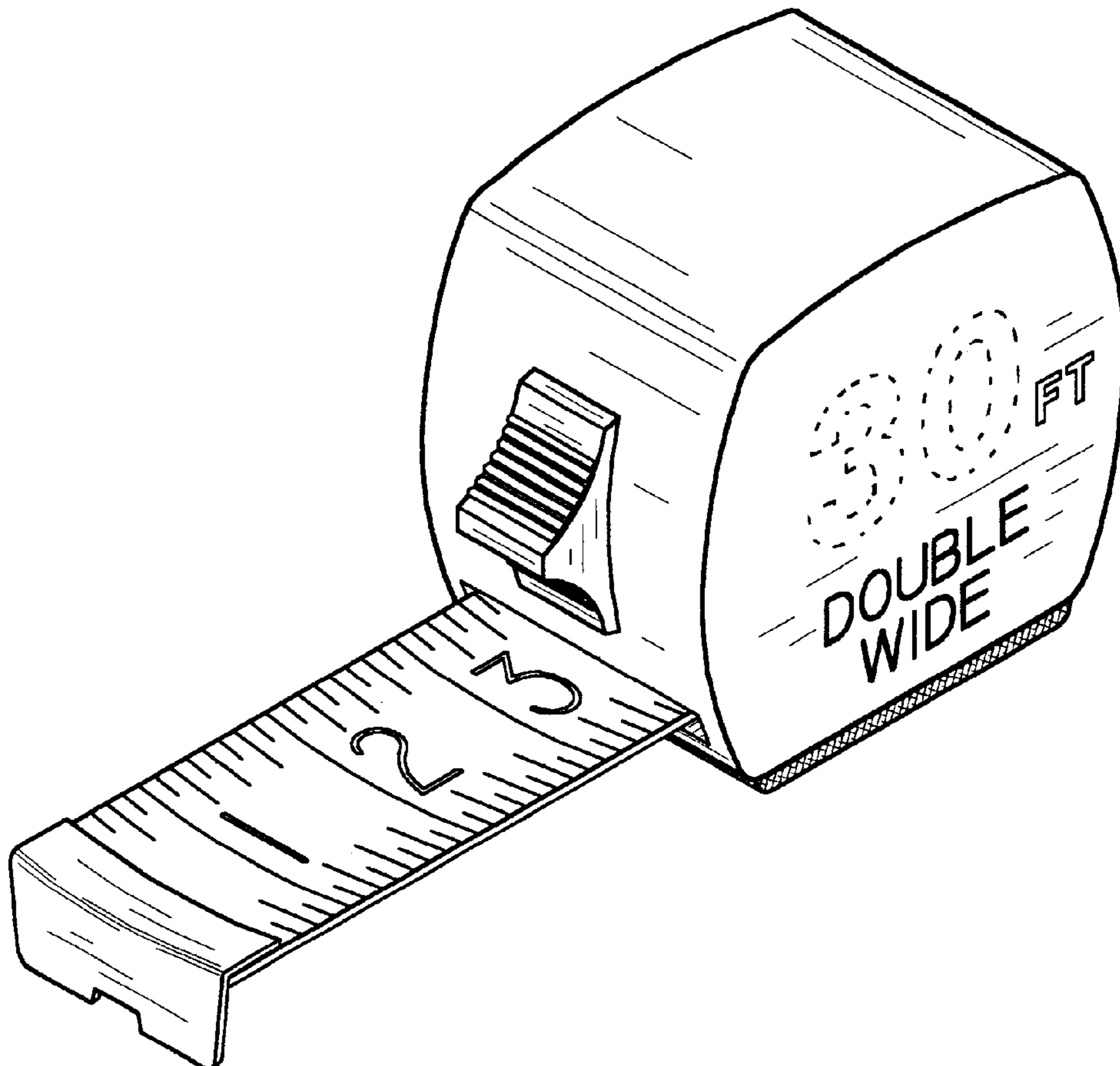
FIG. 6 is a top plan view of the tape measurer of FIG. 1; and,

FIG. 7 is a bottom plan view of the tape measurer of FIG. 1.

The broken lines showing of numbers in FIGS. 1 and 2 only are for illustrative purposes only and form no part of the claimed design.

* cited by examiner

1 Claim, 3 Drawing Sheets



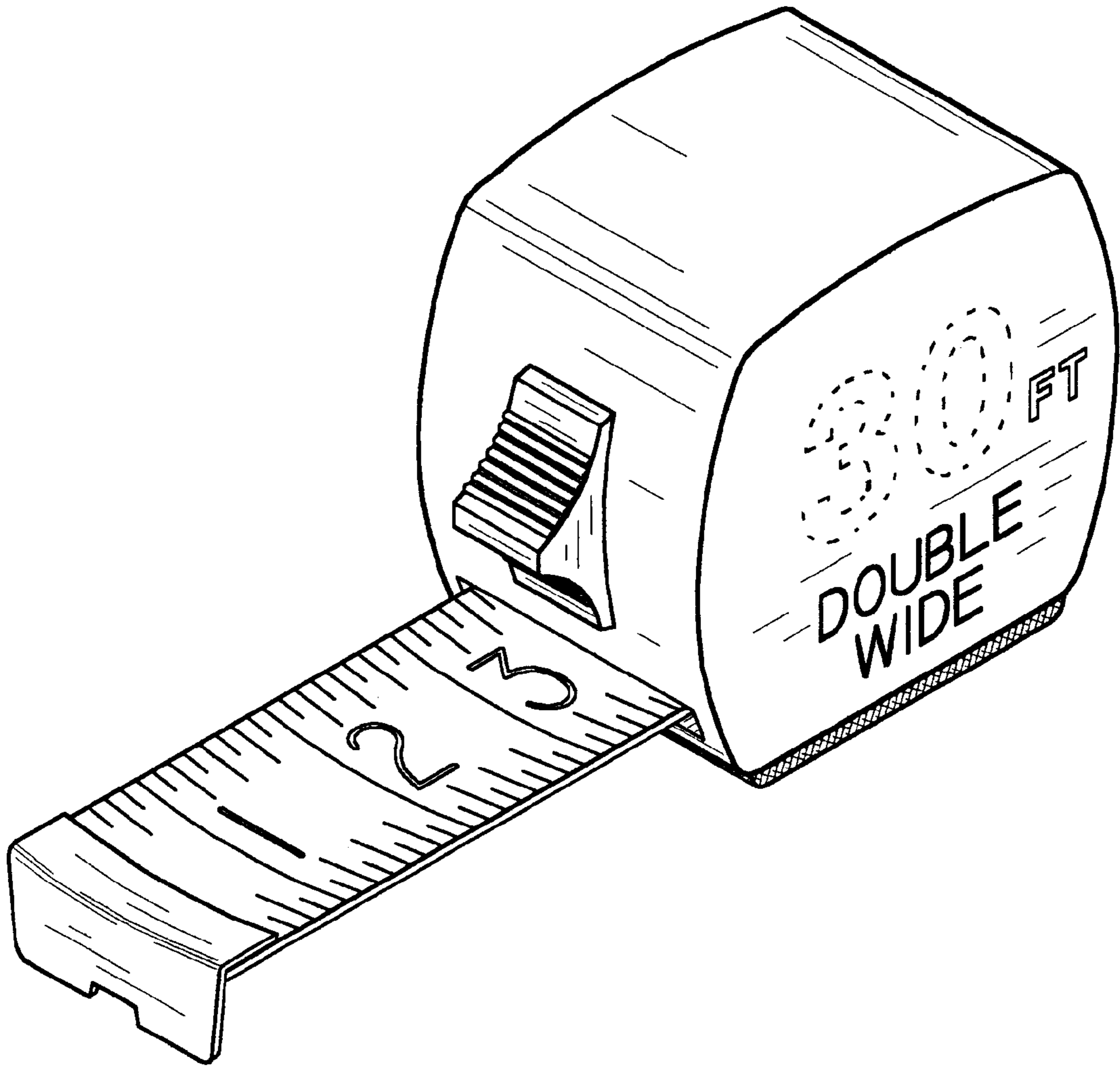


Fig. 1

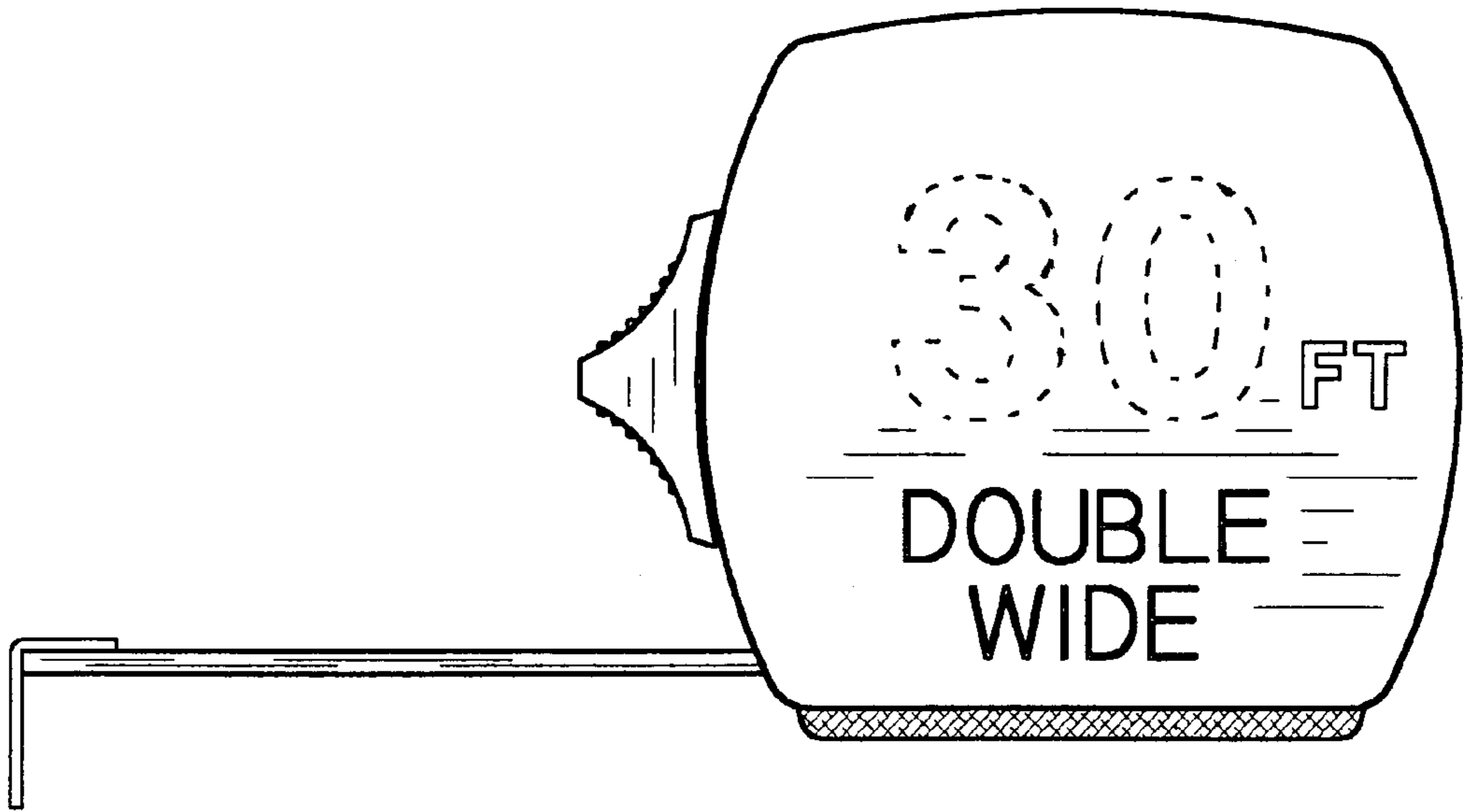


Fig. 2

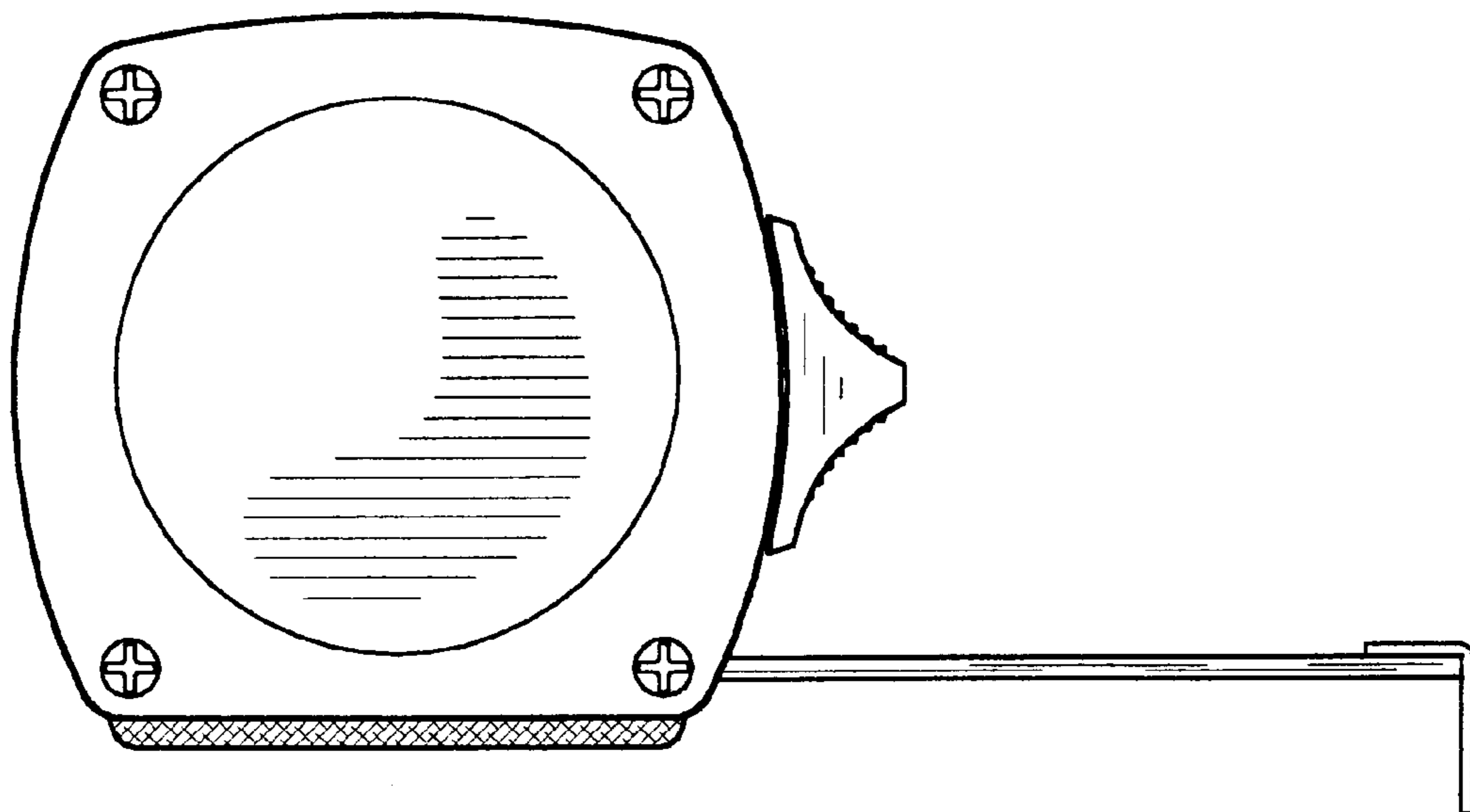


Fig. 3

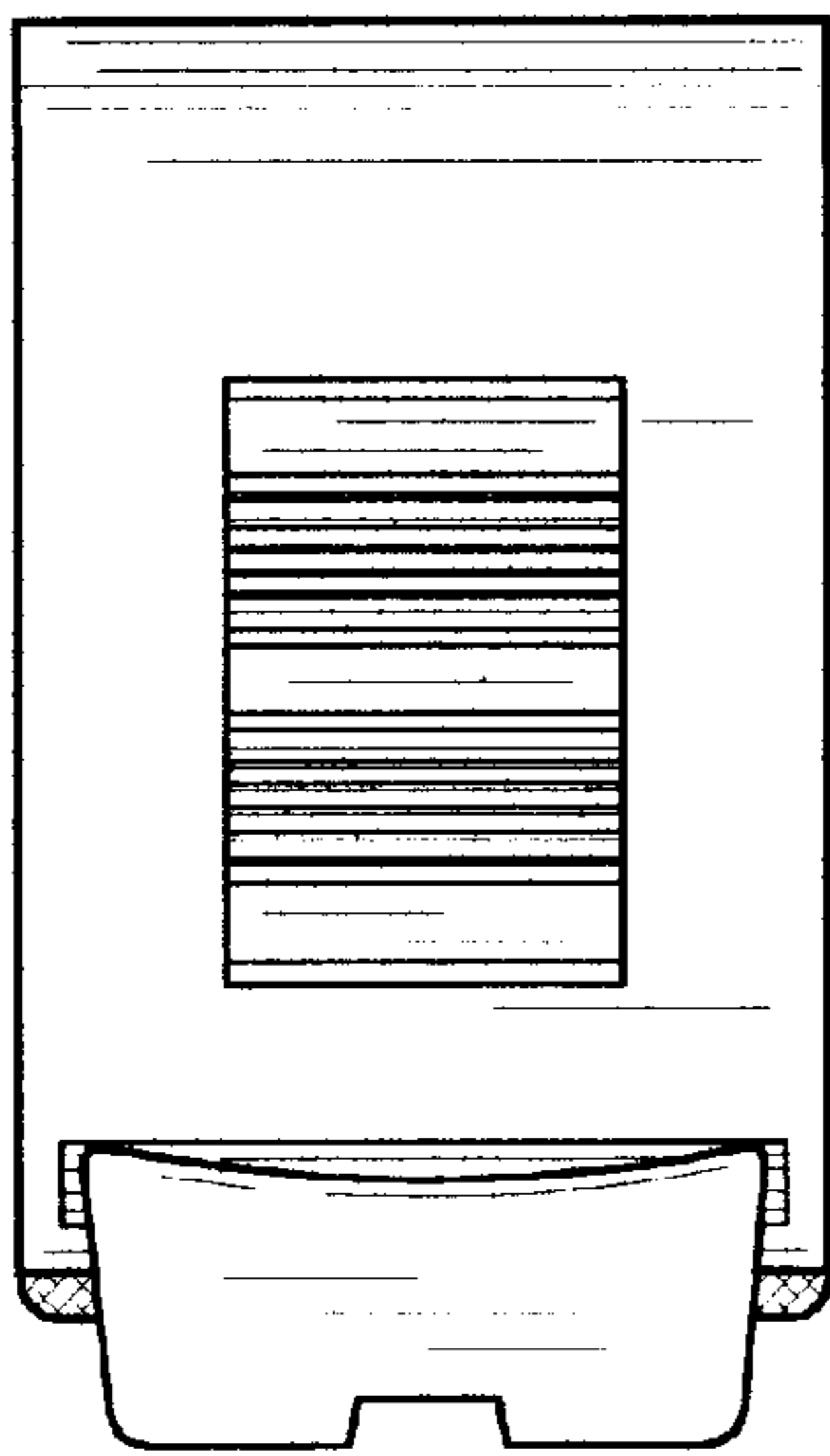


Fig. 4

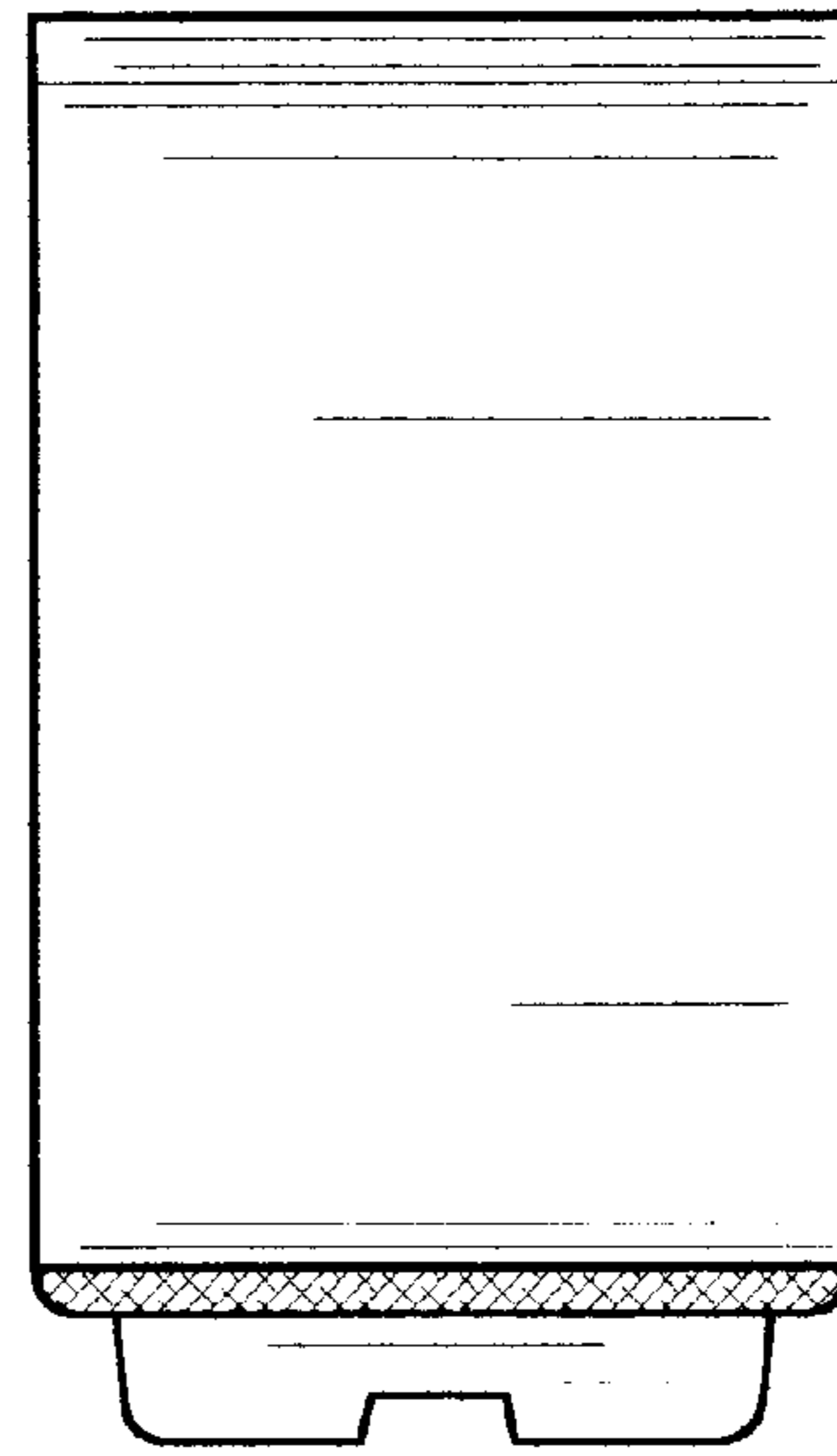


Fig. 5

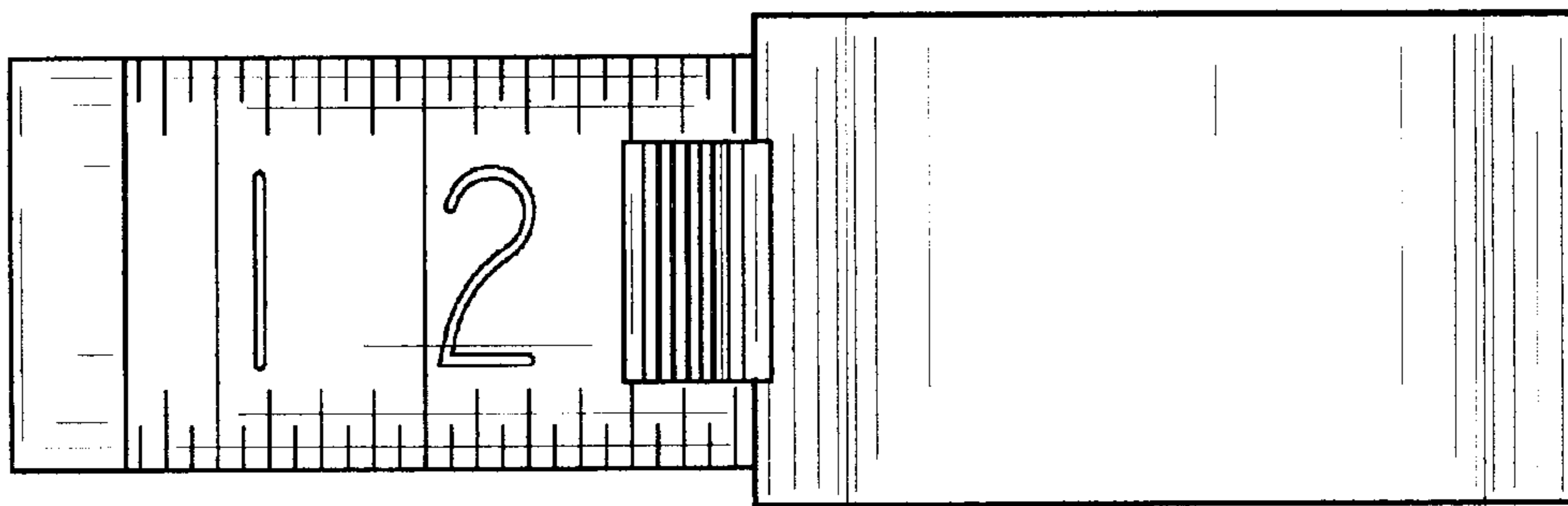


Fig. 6

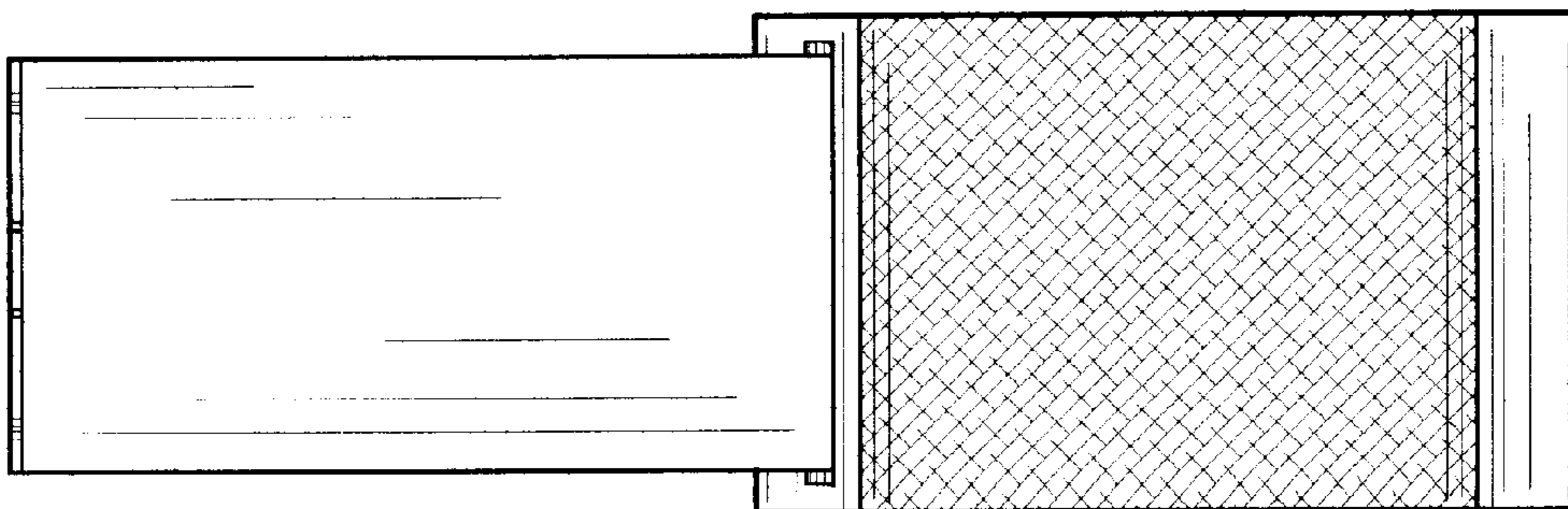


Fig. 7