



US00D438127S

(12) **United States Design Patent**
Beger et al.

(10) **Patent No.:** **US D438,127 S**

(45) **Date of Patent:** **** Feb. 27, 2001**

(54) **TAPE MEASURE**

4,965,944 * 10/1990 Kuze et al. 33/760

(76) Inventors: **Lawrence J. Beger**, 2738 N. Southport,
Chicago, IL (US) 60614; **Mike Smith**,
4525 N. Ashland Ave., Apt. #7,
Chicago, IL (US) 60640

* cited by examiner

Primary Examiner—Antoine Duval Davis

(**) Term: **14 Years**

(57) **CLAIM**

The ornamental design for a tape measure, as shown.

(21) Appl. No.: **29/115,356**

DESCRIPTION

(22) Filed: **Dec. 13, 1999**

FIG. 1 is a perspective view of the present invention;
FIG. 2 is a front elevational view of the present invention;
FIG. 3 is a right side elevational view of the present
invention;
FIG. 4 is a rear elevational view of the present invention;
FIG. 5 is a left side elevational view of the present invention;
FIG. 6 is a top view of the present invention; and,
FIG. 7 is a bottom view of the present invention.
The broken line showing is for illustrative purposes only and
forms no part of the claimed design.

(51) **LOC (7) Cl.** **10-04**

(52) **U.S. Cl.** **D10/72**

(58) **Field of Search** D10/72; 33/755-771;
242/84.8, 107.2

(56) **References Cited**

U.S. PATENT DOCUMENTS

D. 333,627 * 3/1993 Douglas D10/72

D. 390,794 * 2/1998 Coetzee D10/72

1 Claim, 2 Drawing Sheets

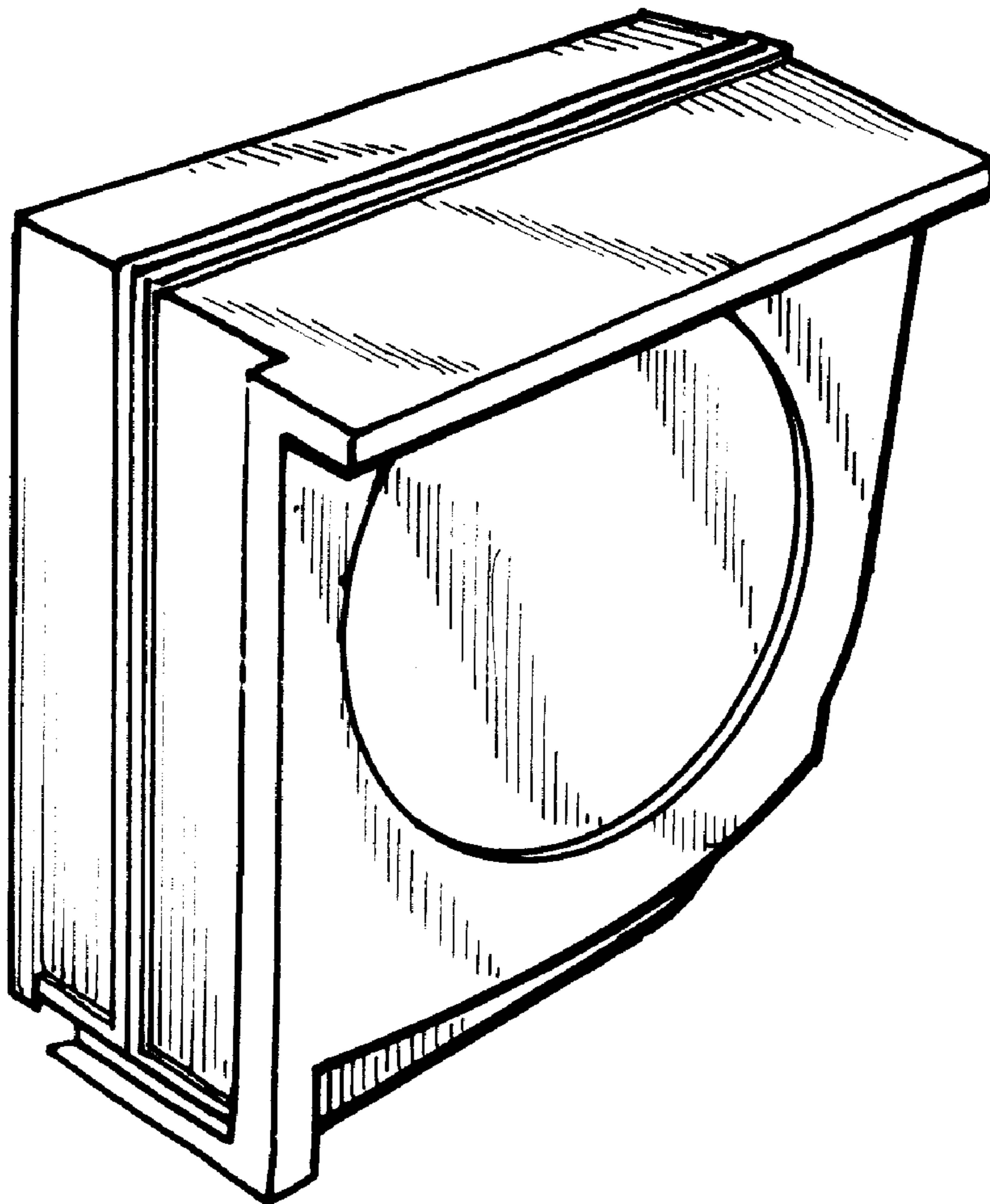


FIGURE 1

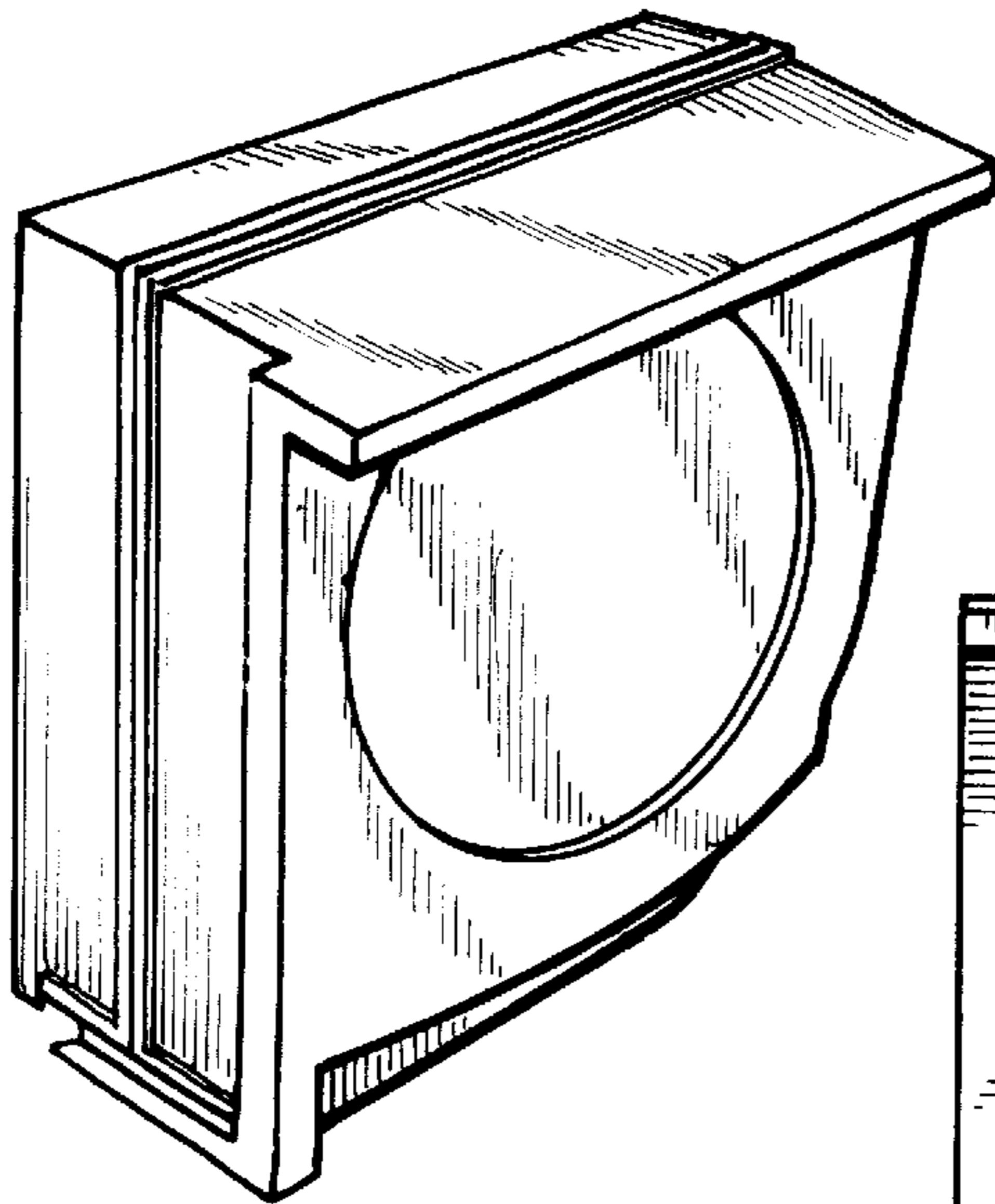


FIGURE 2

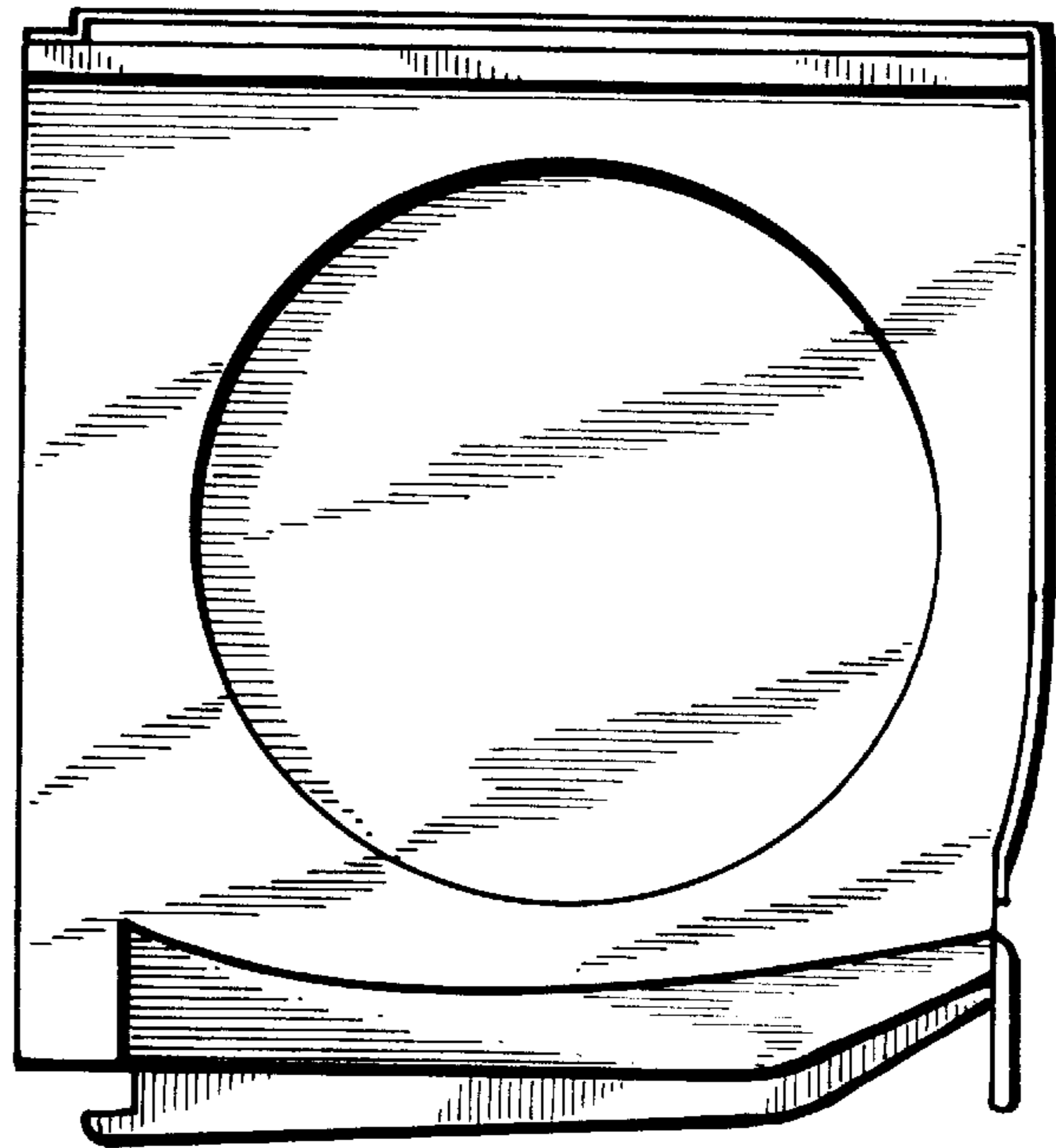


FIGURE 3

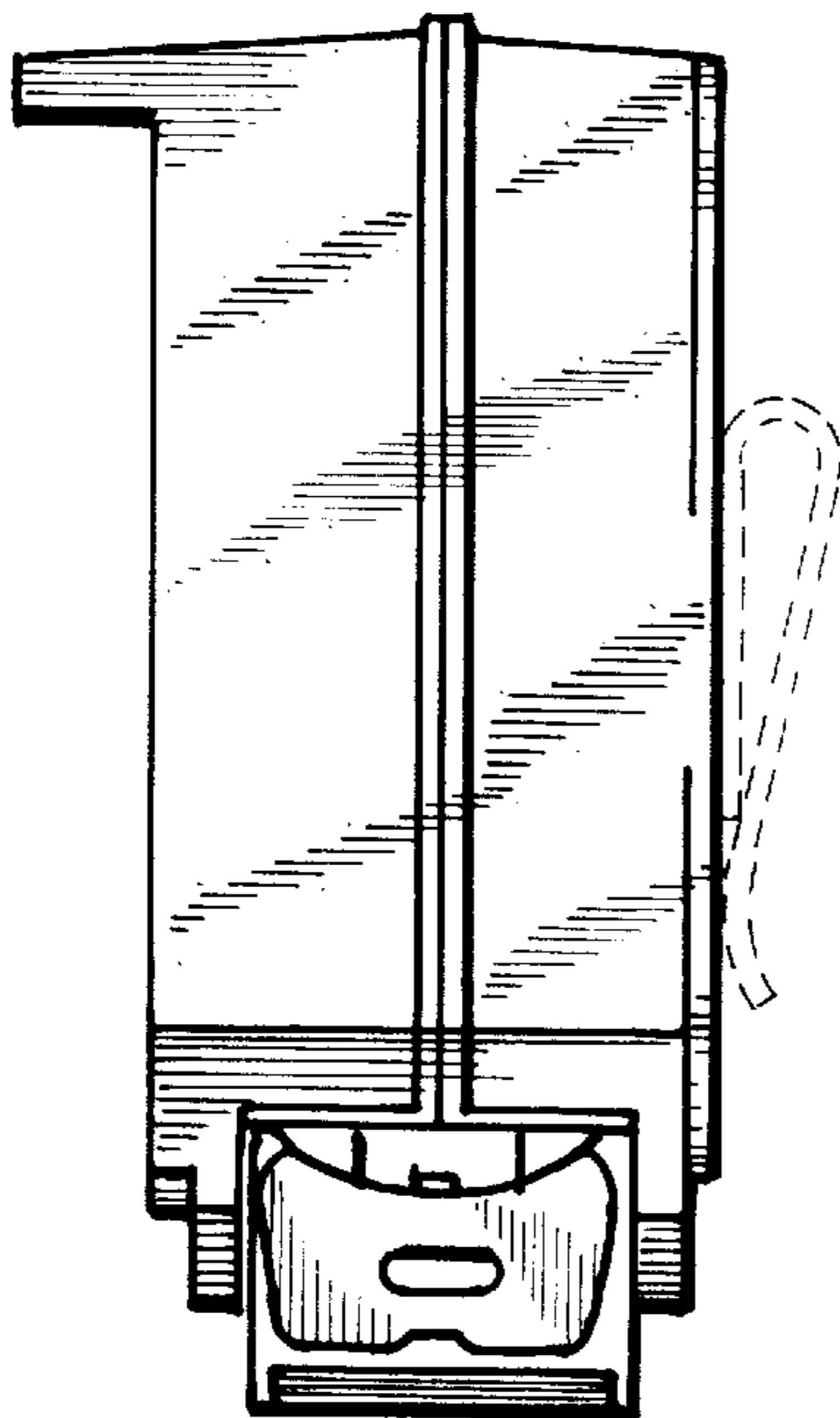


FIGURE 4

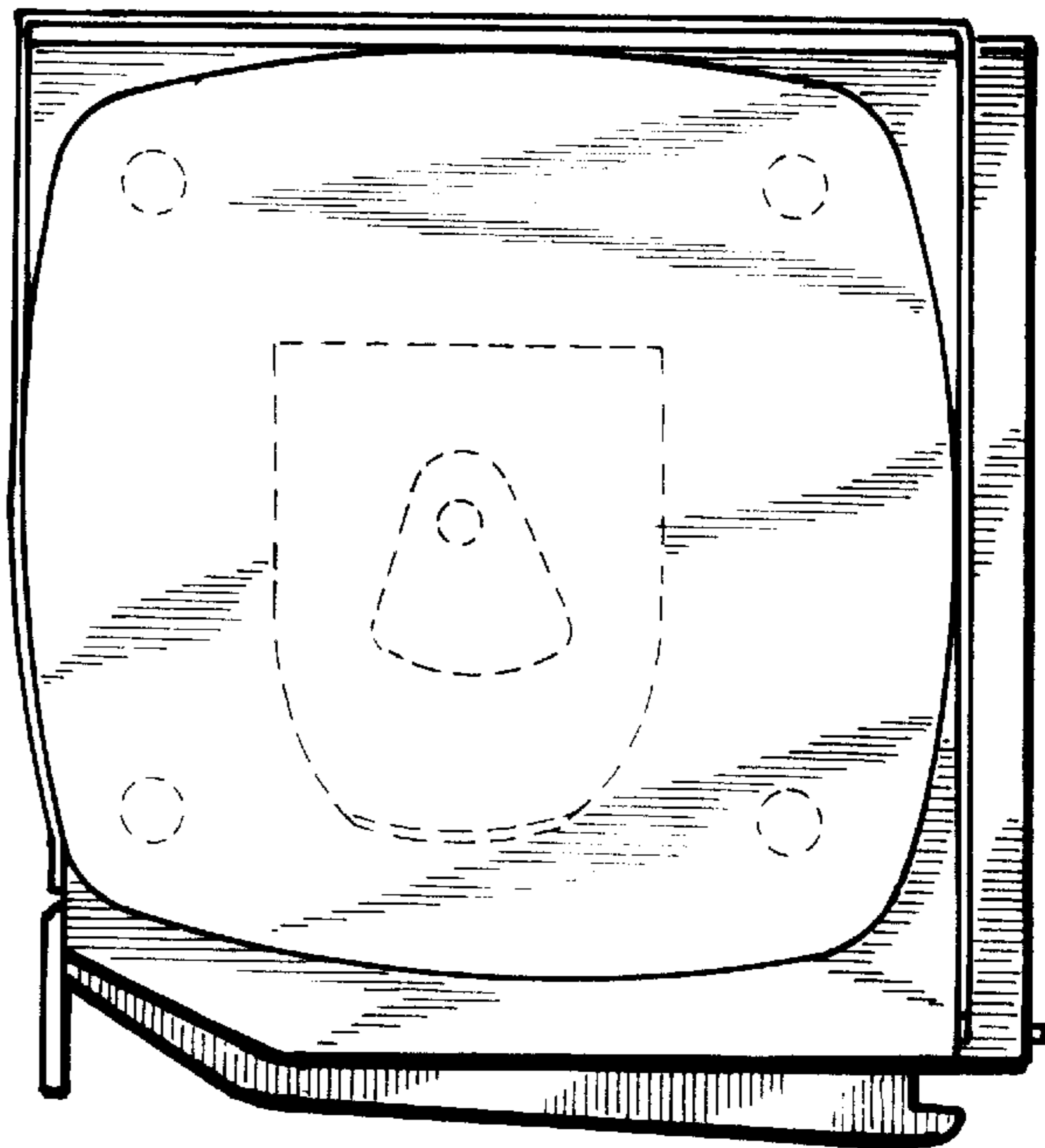


FIGURE 5

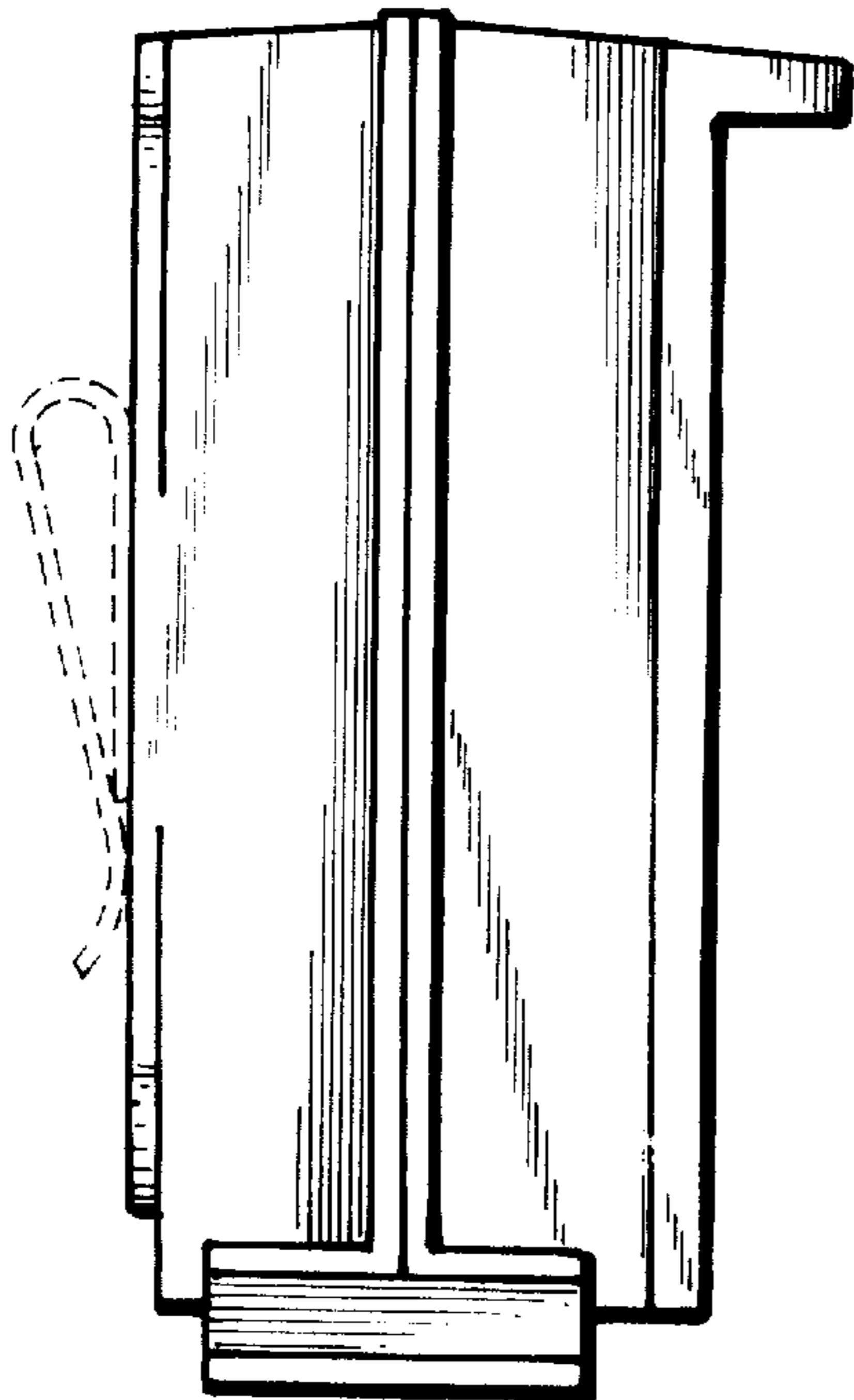


FIGURE 6

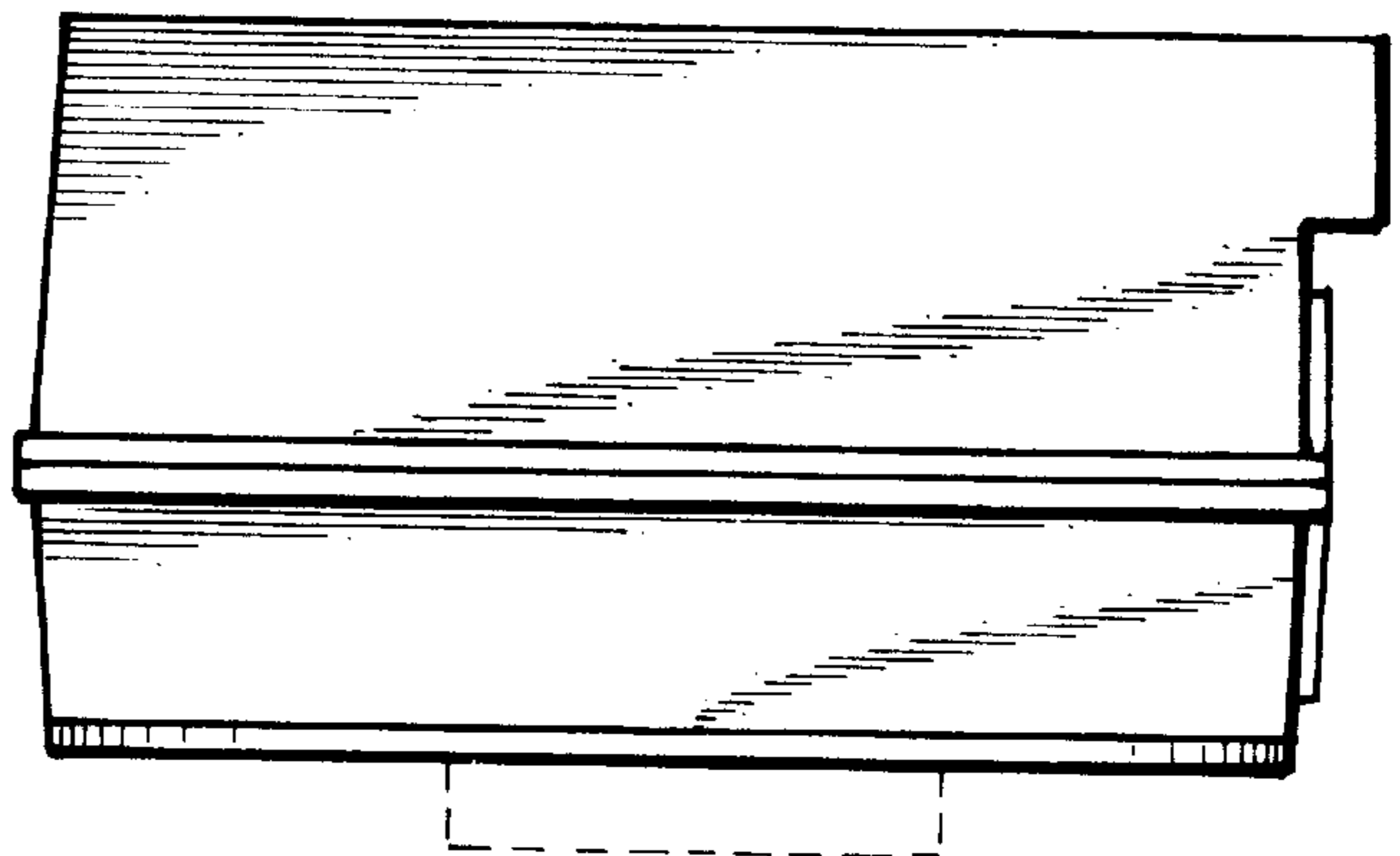


FIGURE 7

