



US00D438125S

(12) **United States Design Patent**
Kaposi et al.

(10) **Patent No.:** **US D438,125 S**

(45) **Date of Patent:** **** Feb. 27, 2001**

(54) **MEASURING SPOON SET**

(75) Inventors: **Sascha Kaposi**, Seattle; **Sabrina Wright**, Bellview; **Dennis M. Terenzio**, Mercer Island, all of WA (US)

(73) Assignee: **Progressive International Corporation**, Kent, WA (US)

(**) Term: **14 Years**

(21) Appl. No.: **29/116,676**

(22) Filed: **Jan. 7, 2000**

(51) **LOC (7) Cl.** **10-04**

(52) **U.S. Cl.** **D10/46.2**

(58) **Field of Search** D7/691, 692, 643,
D7/647, 653; D10/46.2, 46.3; 73/426-429;
294/55; 30/324-328

(56) **References Cited**

U.S. PATENT DOCUMENTS

- D. 127,611 * 6/1941 Hadfield D10/46.3
- D. 184,027 * 12/1958 Reichow D10/46.2

- D. 228,722 * 10/1973 Grimes D10/46.3
- D. 302,089 * 7/1989 Ancona et al. D10/46.2

* cited by examiner

Primary Examiner—Terry A. Wallace

(74) *Attorney, Agent, or Firm*—John R. Benefiel

(57) **CLAIM**

The ornamental design for measuring spoon set, as shown and described.

DESCRIPTION

FIG. 1 is a top view of a set of measuring spoons according to the present invention.

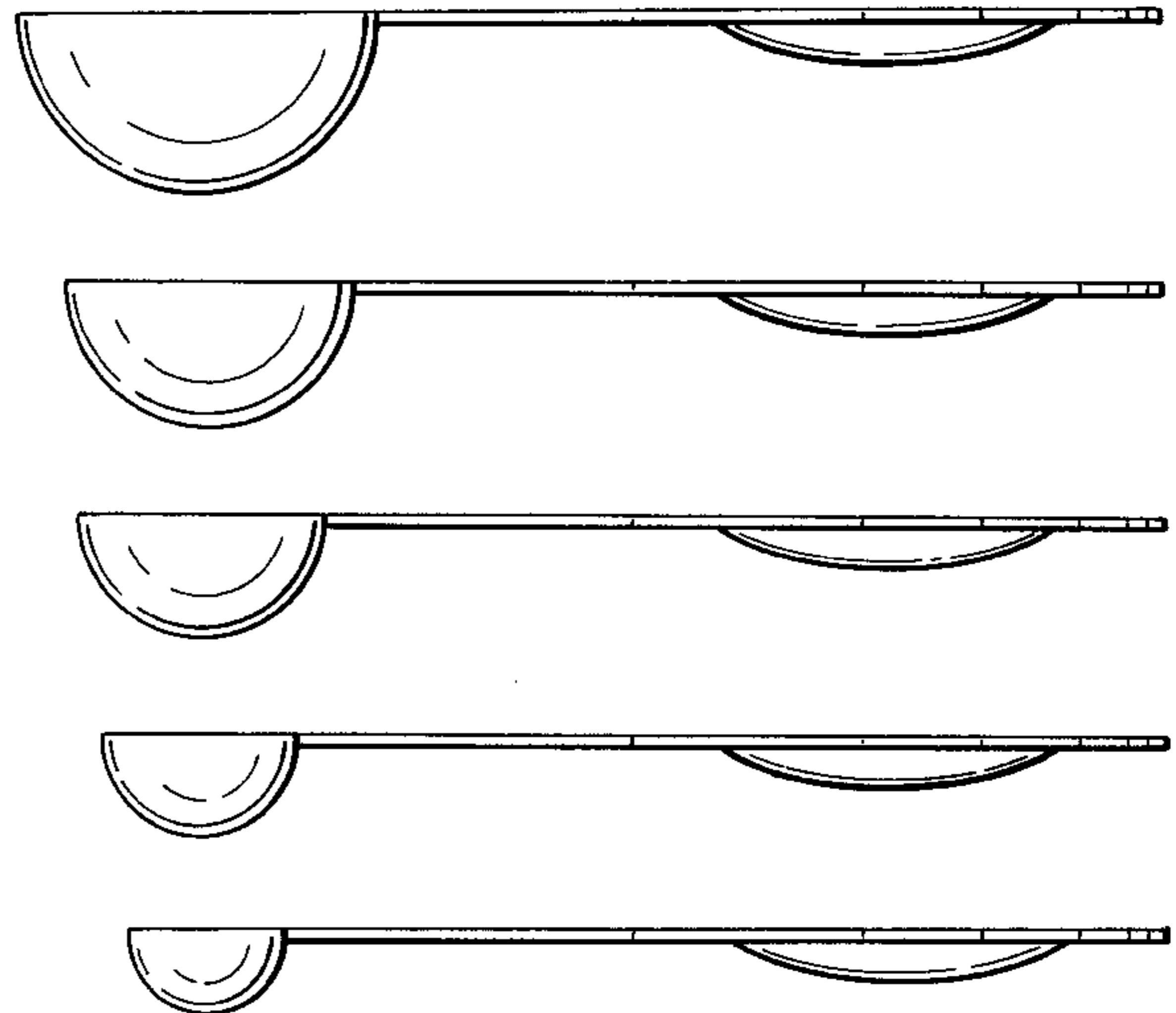
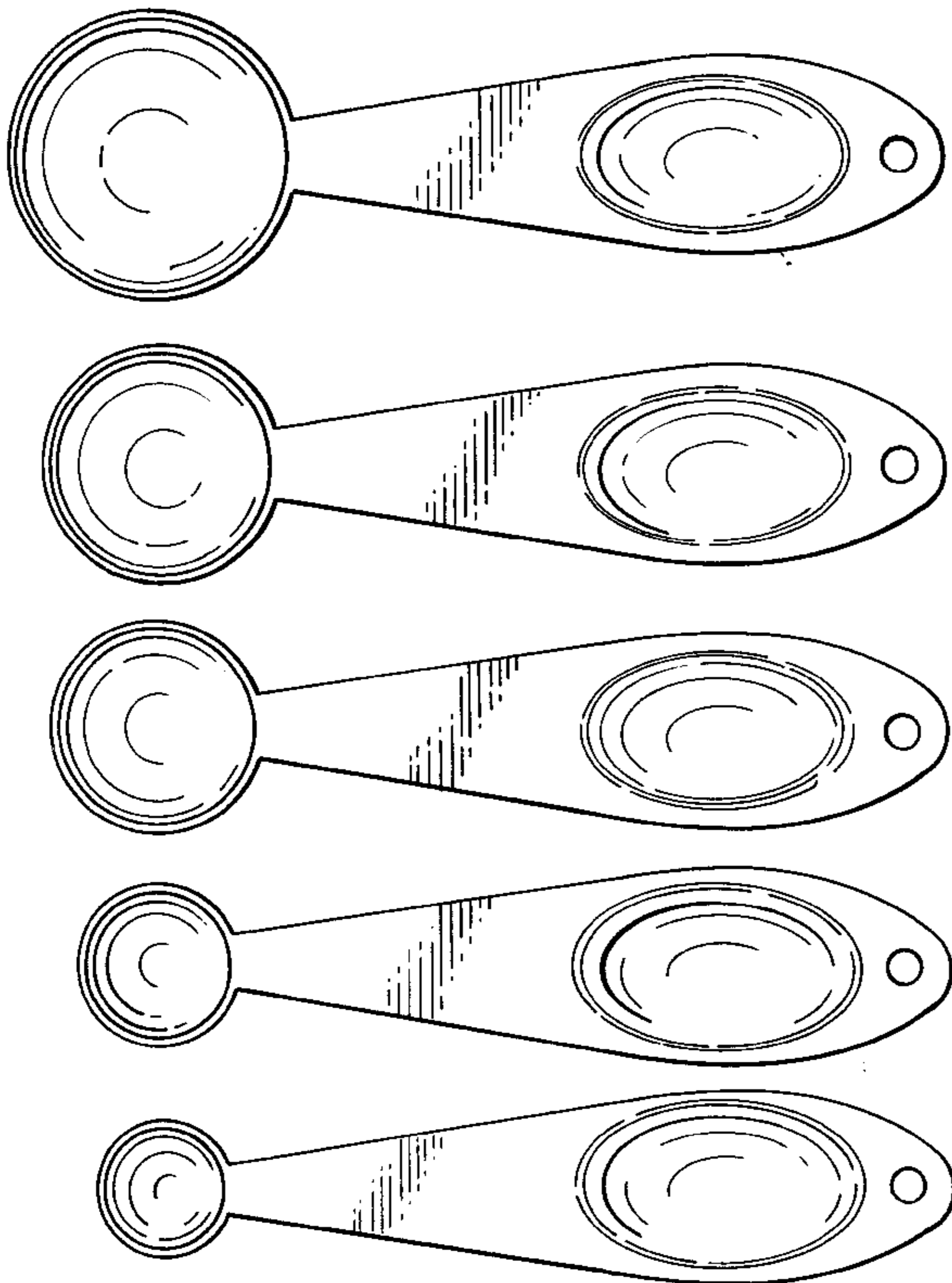
FIG. 2 is a side elevational view of a set of measuring spoons shown in FIG. 1.

FIG. 3 is a bottom view of a set of measuring spoons shown in FIGS. 1 and 2.

FIG. 4 is a front view of a set of measuring spoons shown in FIGS. 1-3; and,

FIG. 5 is a rear view of a set of measuring spoons shown in FIGS. 1-4.

1 Claim, 2 Drawing Sheets



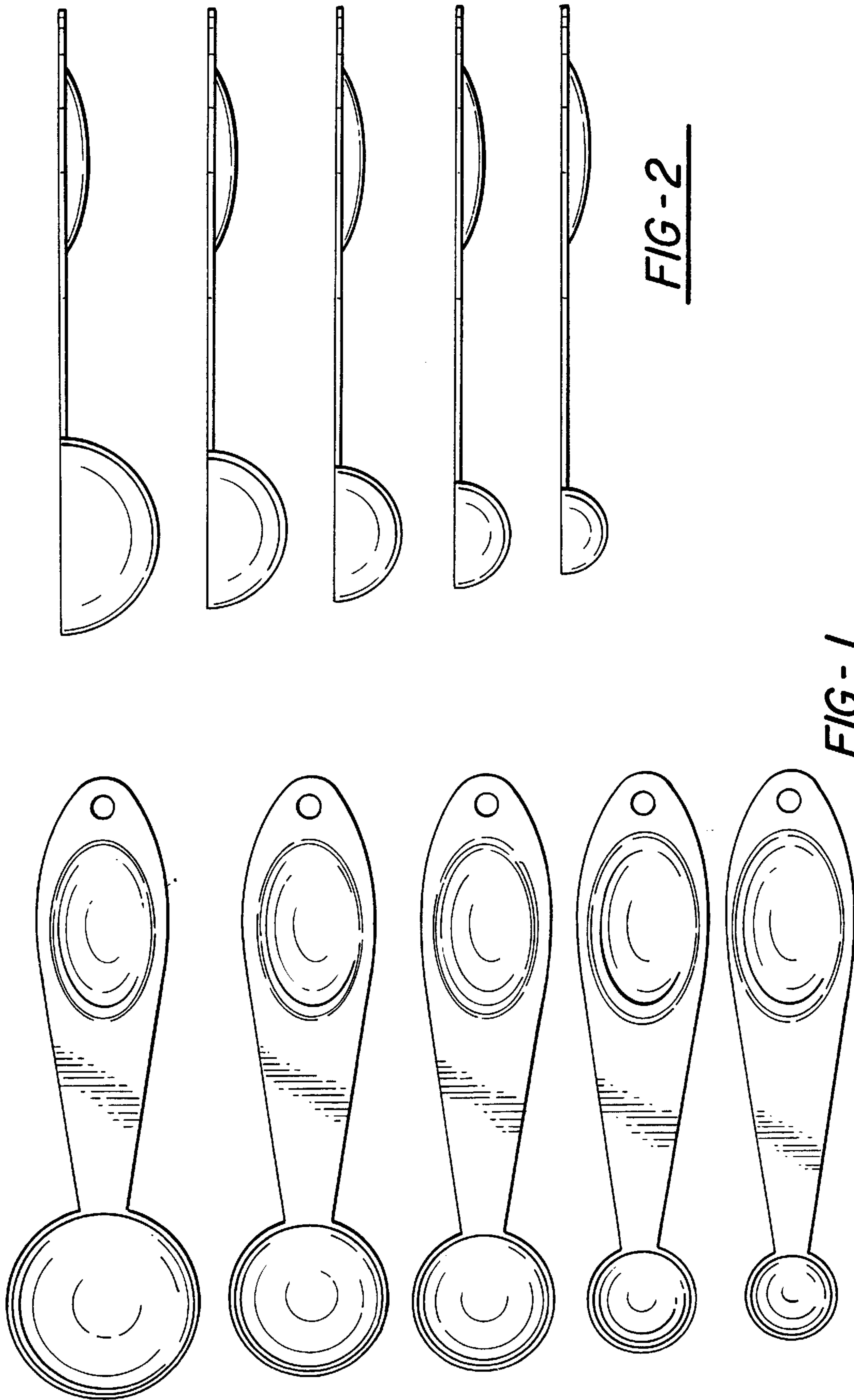


FIG-2

FIG-1

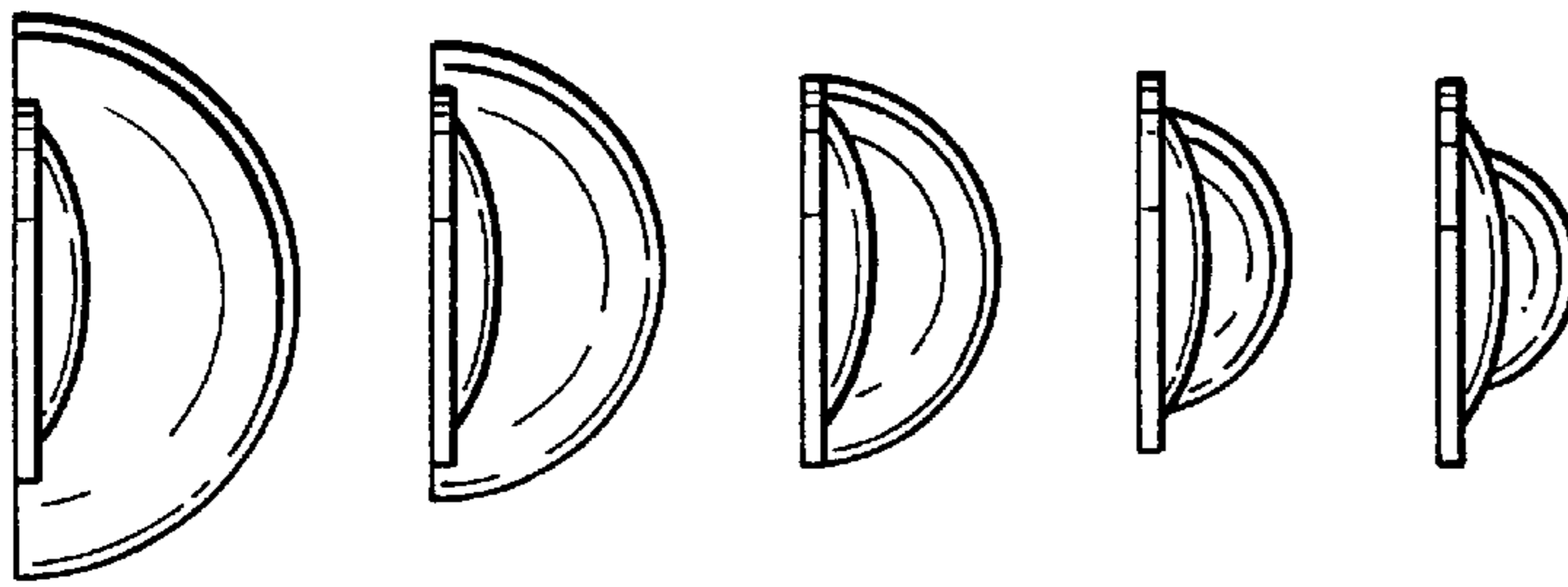


FIG-5

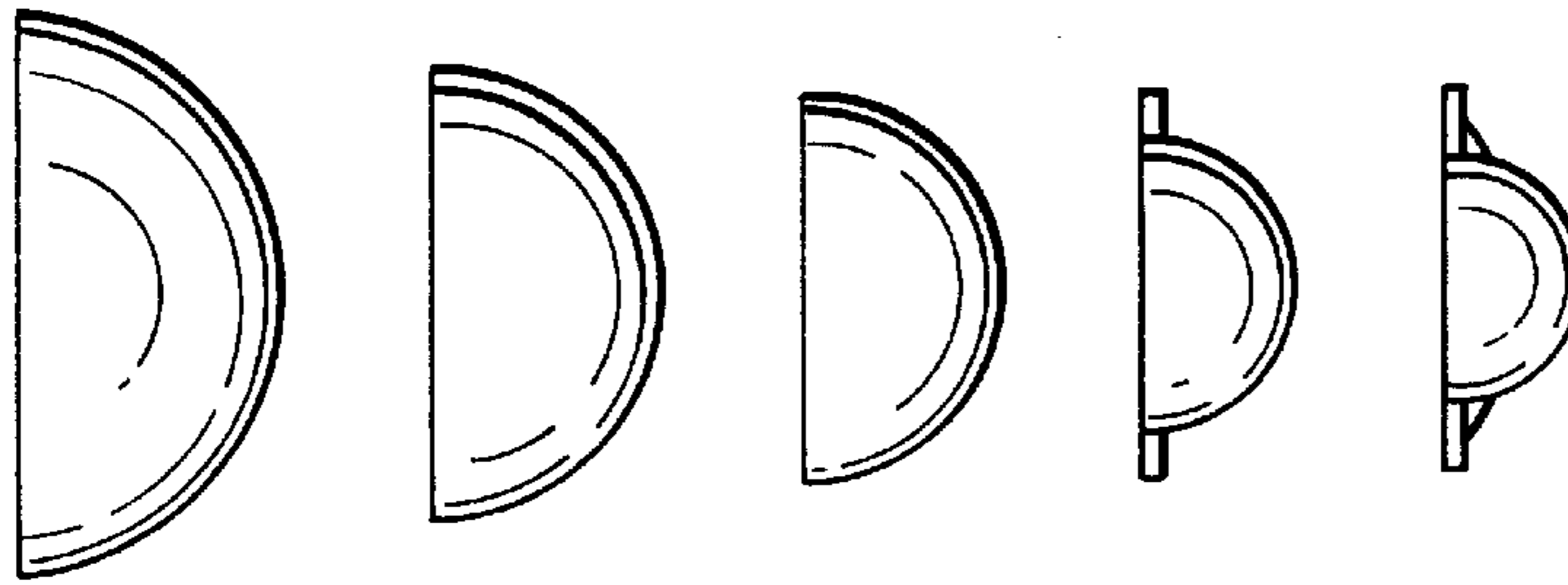


FIG-4

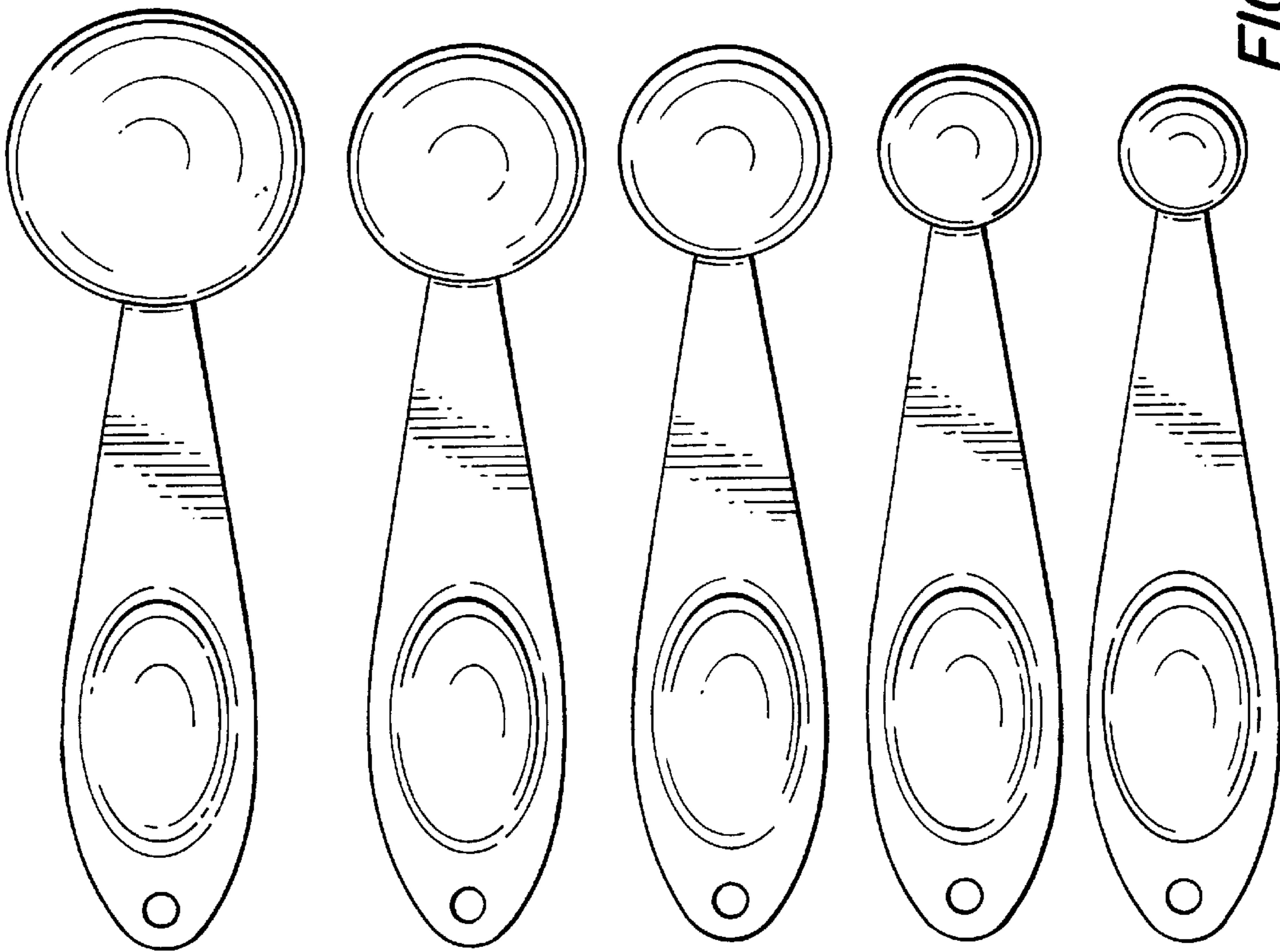


FIG-3