



US00D438111S

(12) **United States Design Patent**
Woods

(10) **Patent No.:** **US D438,111 S**

(45) **Date of Patent:** **** Feb. 27, 2001**

(54) **VARIABLE SPRAY NOZZLE**

(75) **Inventor:** **John R. Woods, Woodland Hills, CA (US)**

(73) **Assignee:** **Spraytex, Inc., Valencia, CA (US)**

(**) **Term:** **14 Years**

(21) **Appl. No.:** **29/120,777**

(22) **Filed:** **Mar. 24, 2000**

(51) **LOC (7) Cl.** **09-07**

(52) **U.S. Cl.** **D9/447**

(58) **Field of Search** D9/435, 440, 447,
D9/449, 452; D23/213; 222/1, 395, 402.1,
402.21, 55, 484, 548, 553, 568; 239/314,
318, 586

(56) **References Cited**

U.S. PATENT DOCUMENTS

- D. 302,388 * 7/1989 Huff D9/447
- D. 367,611 * 3/1996 Wagner, III et al. D9/447

- D. 423,357 * 4/2000 Chrisco et al. D9/449
- 4,946,079 * 8/1990 Campbell 222/568 X
- 5,383,603 * 1/1995 Englhard 222/1
- 5,595,345 * 1/1997 Chura et al. 239/312

* cited by examiner

Primary Examiner—Cathron Brooks

(74) *Attorney, Agent, or Firm*—Pillsbury Madison & Sutro LLP

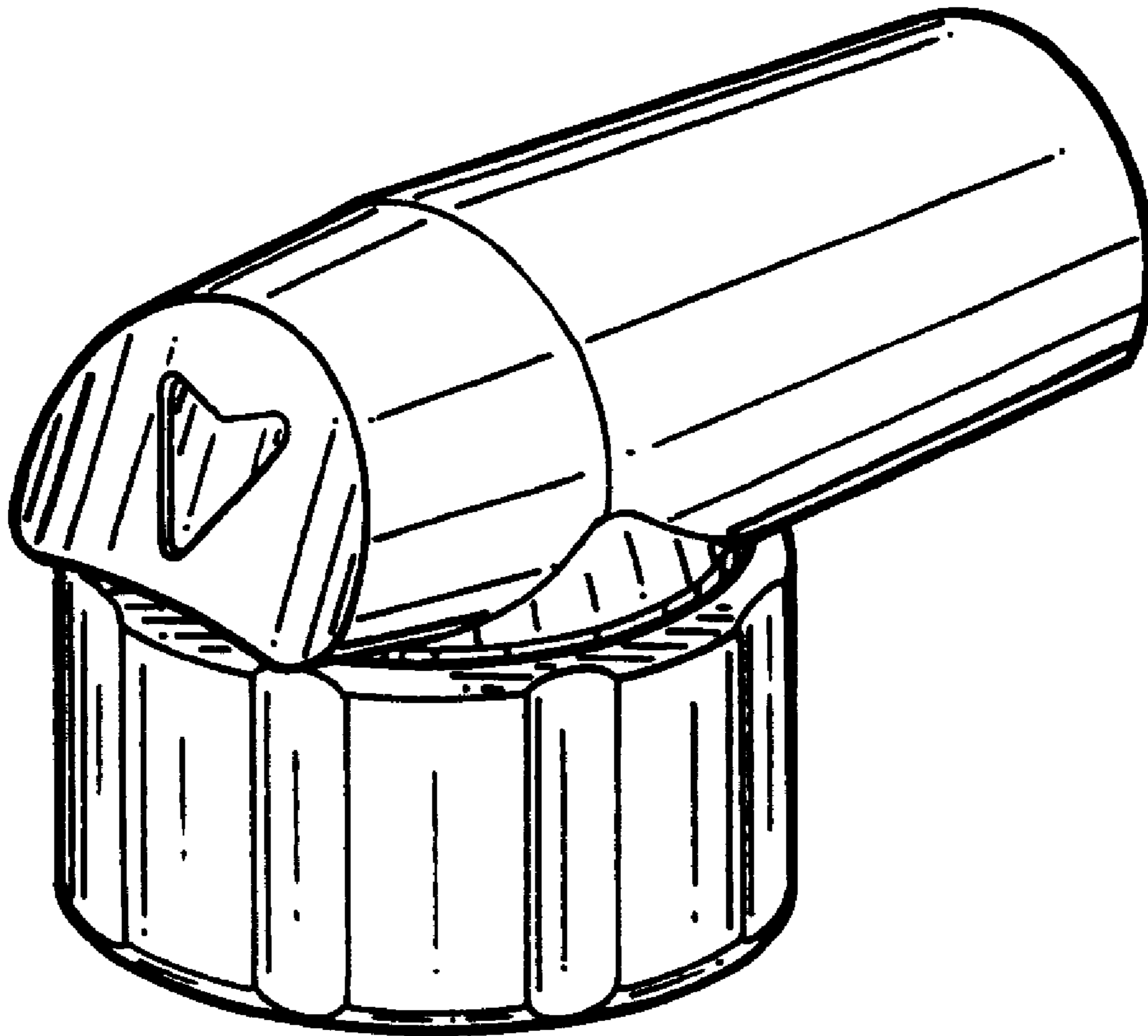
(57) **CLAIM**

The ornamental design for a variable spray nozzle, substantially as shown.

DESCRIPTION

FIG. 1 shows a perspective overview of the variable spray nozzle invention;
 FIG. 2 is a left side view thereof;
 FIG. 3 shows a top plane view thereof;
 FIG. 4 is a bottom view thereof;
 FIG. 5 is a front view thereof; and,
 FIG. 6 is a back view thereof.

1 Claim, 3 Drawing Sheets



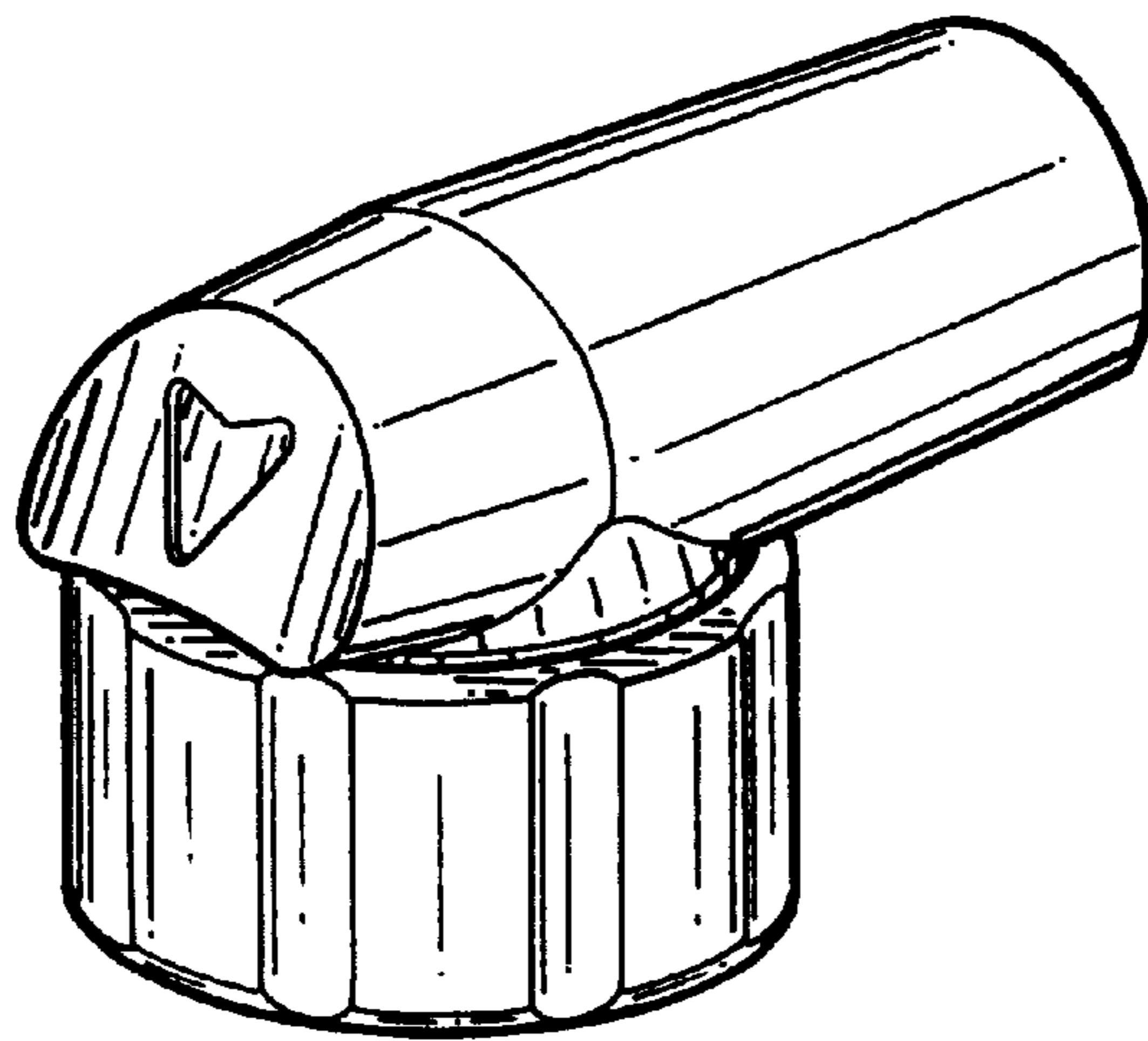


FIG. 1

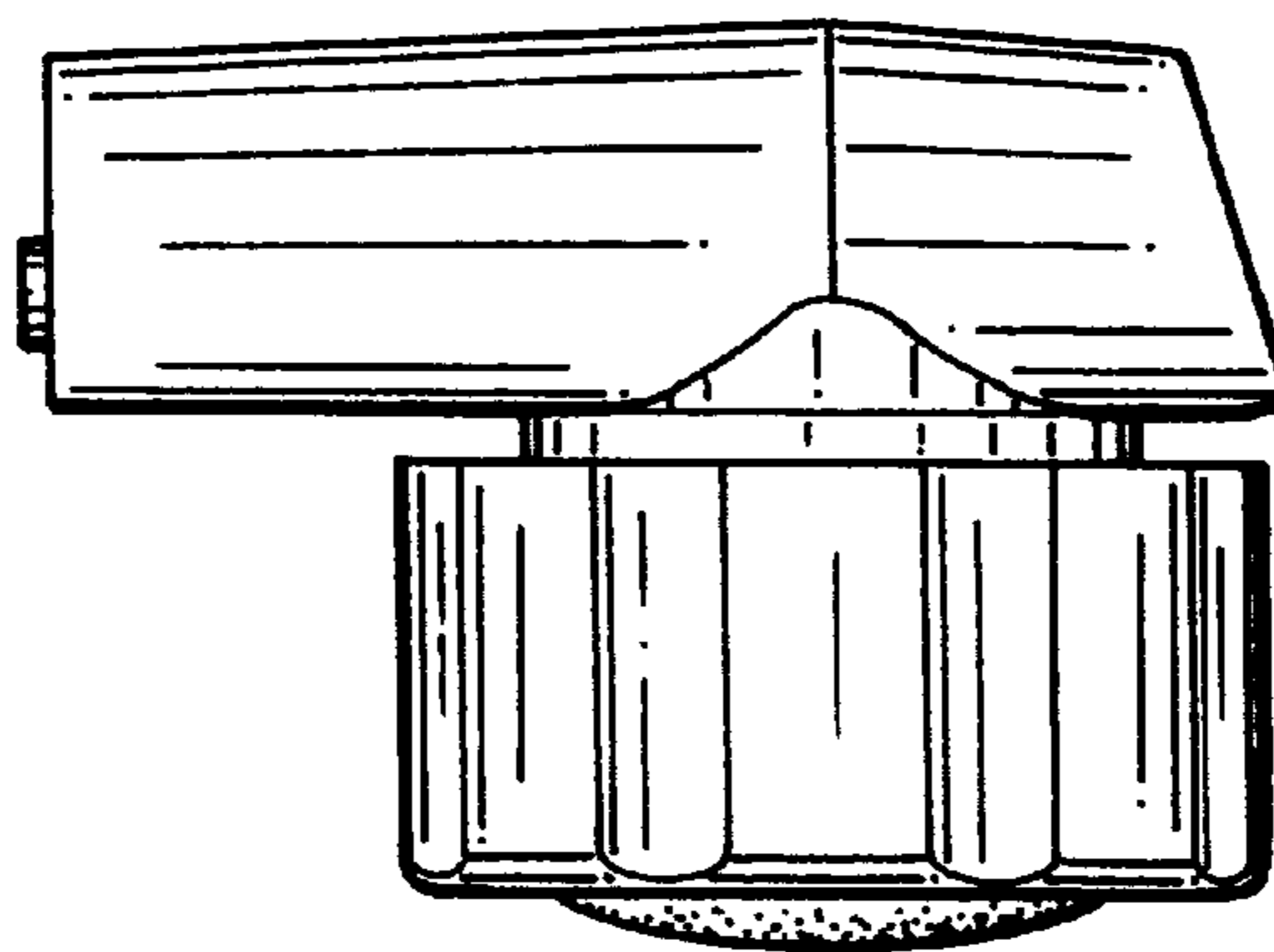


FIG. 2

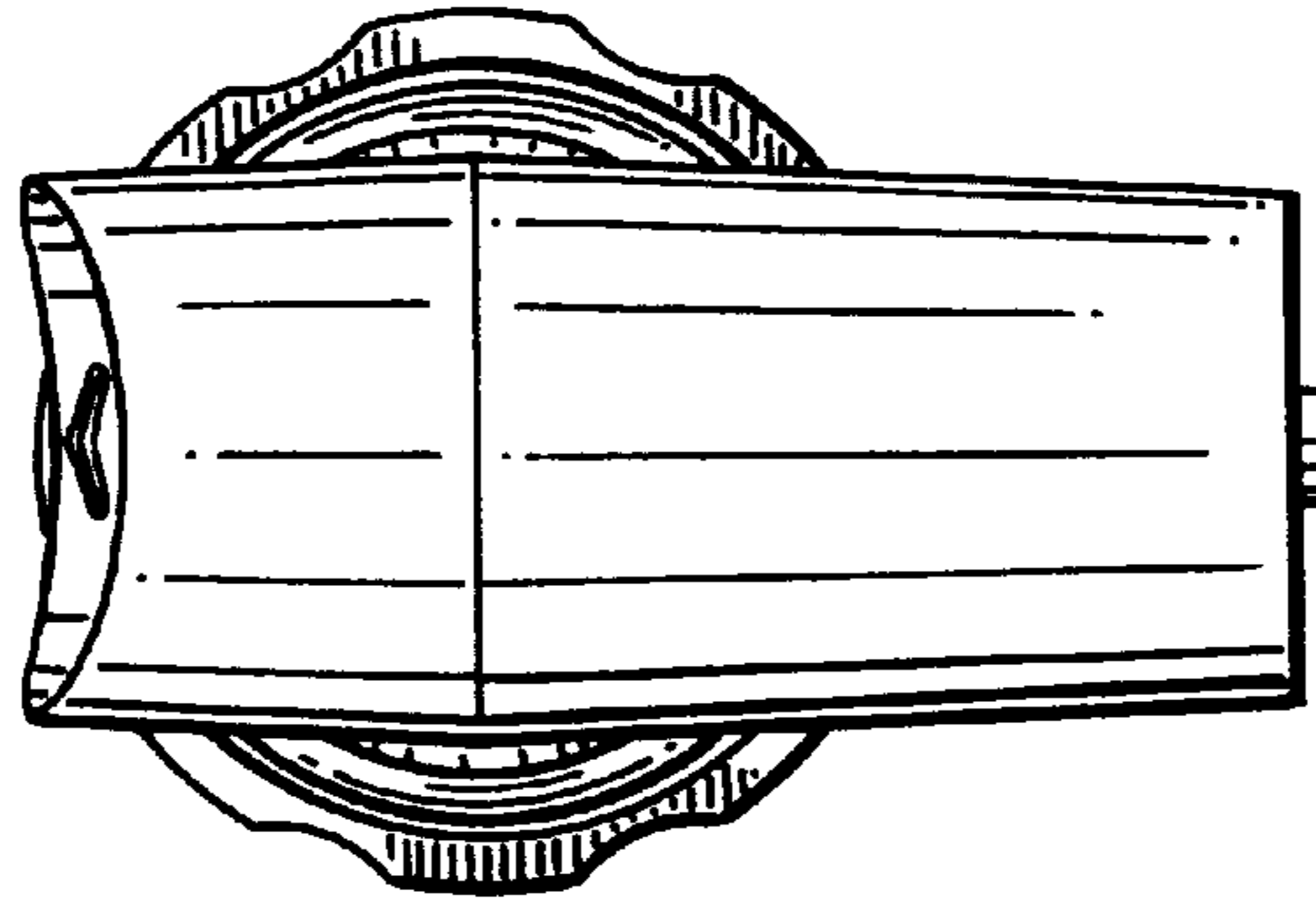


FIG. 3

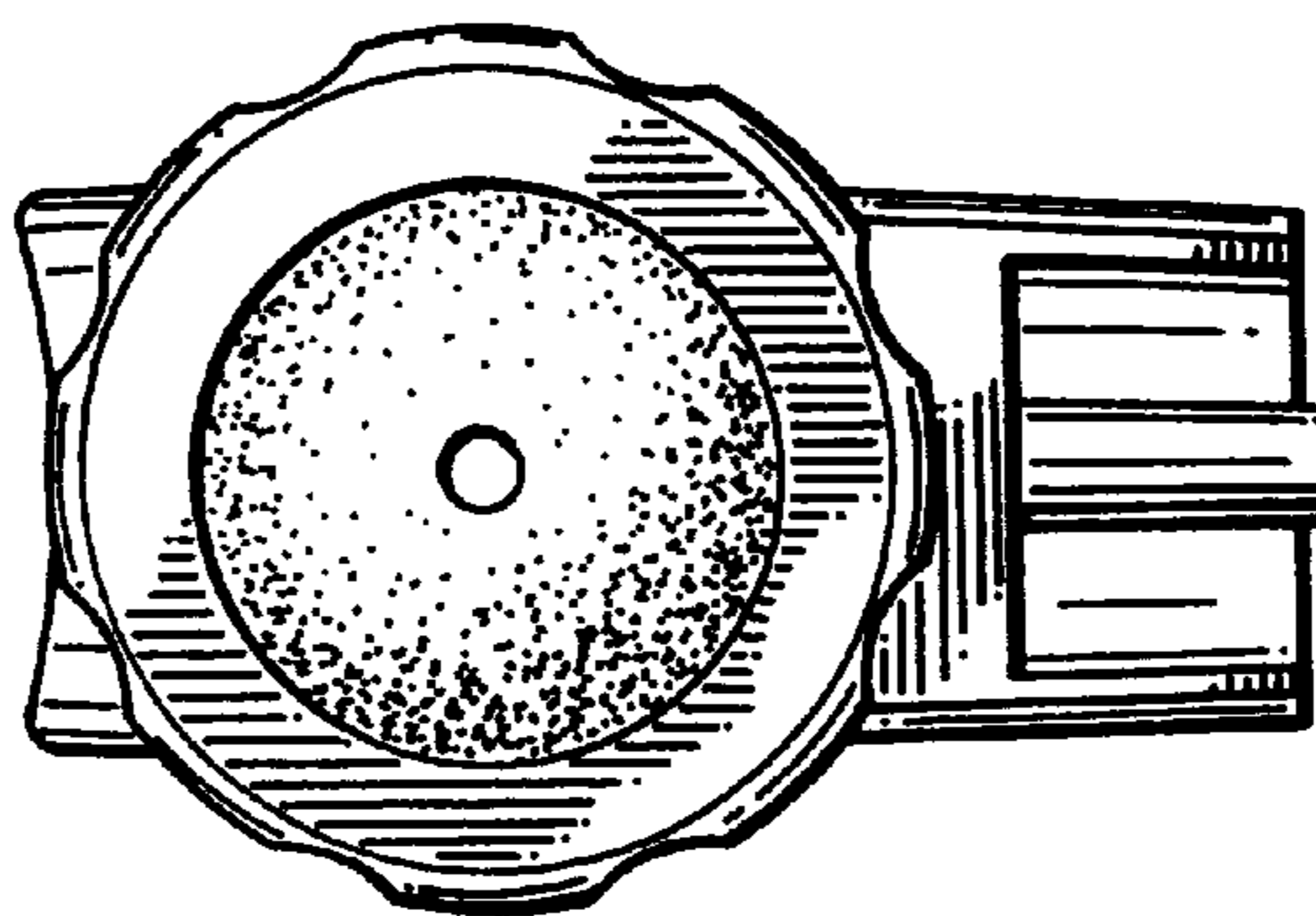


FIG. 4

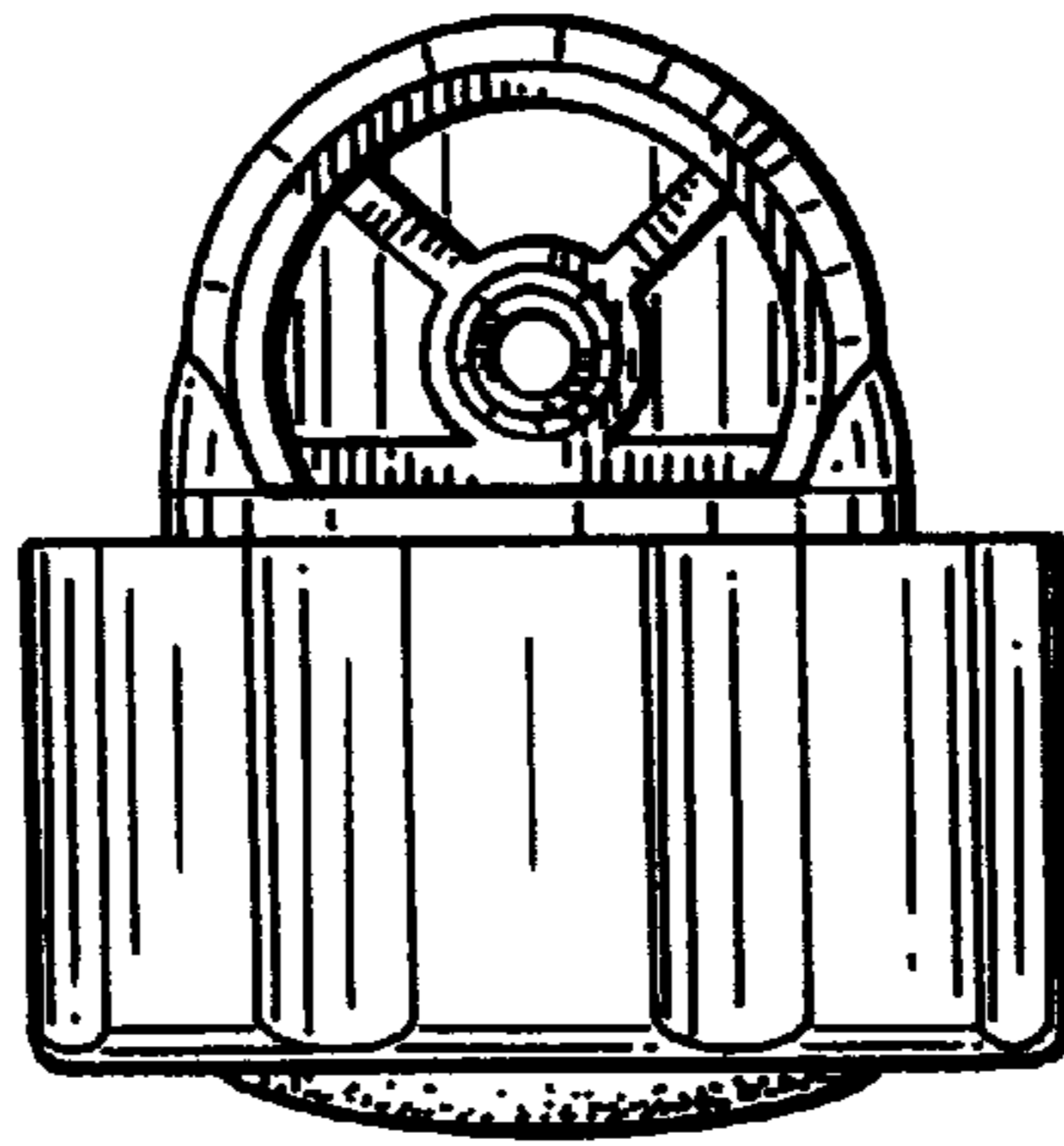


FIG. 5

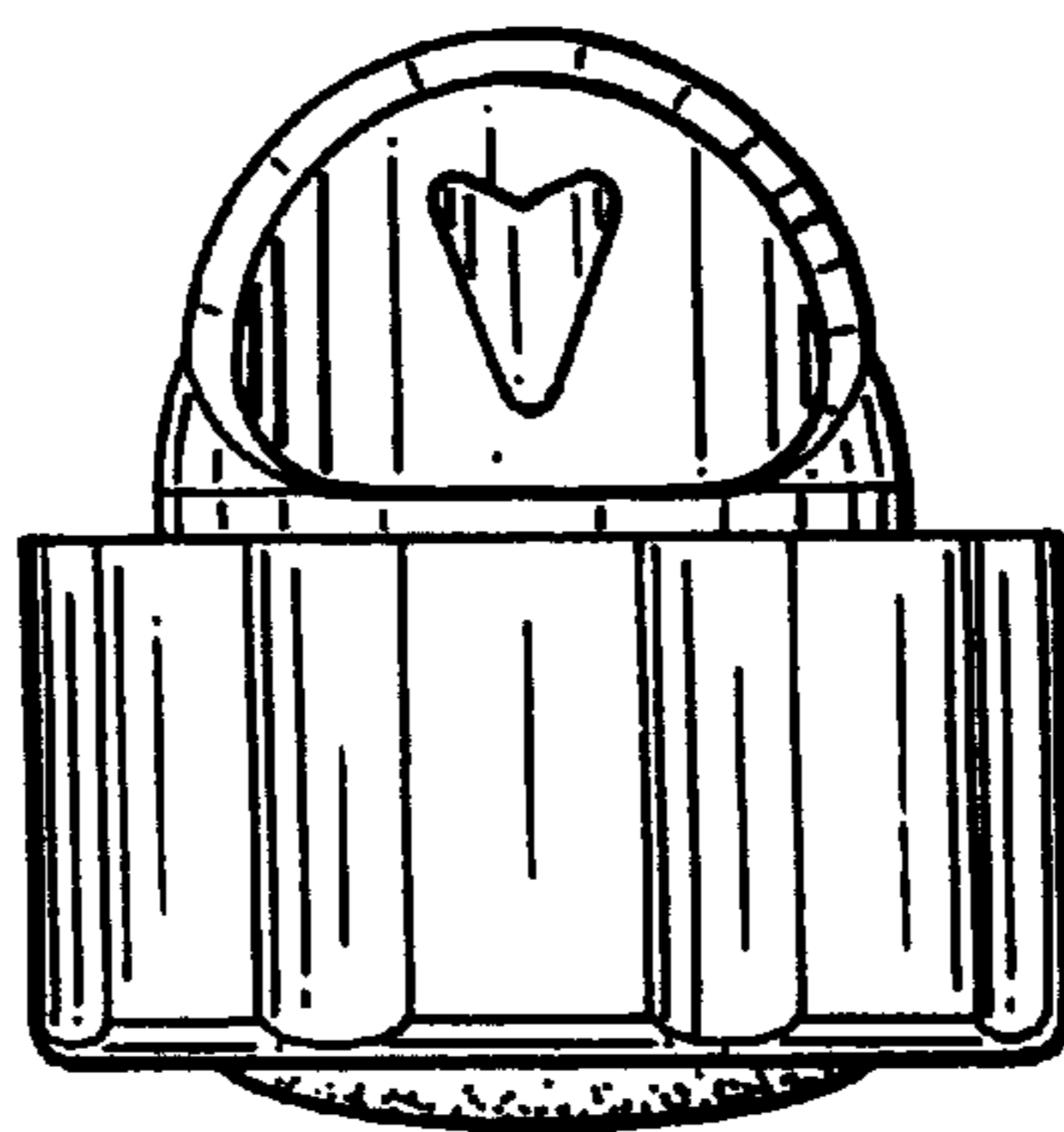


FIG. 6