



US00D438110S

(12) **United States Design Patent**
Dailey et al.

(10) **Patent No.:** **US D438,110 S**

(45) **Date of Patent:** **** Feb. 27, 2001**

(54) **COVER CAP FOR A DISPENSING CONTAINER**

(75) Inventors: **John V. Dailey**, Great Neck; **Kathryn M. Grossmann**, Mineola, both of NY (US); **Michael P. Tune**, Bartlett, TN (US)

(73) Assignee: **Schering-Plough HealthCare Products, Inc.**, Memphis, TN (US)

(**) Term: **14 Years**

(21) Appl. No.: **29/120,672**

(22) Filed: **Mar. 24, 2000**

(51) **LOC (7) Cl.** **09-01**

(52) **U.S. Cl.** **D9/445**

(58) **Field of Search** D7/629; D9/300, D9/424, 428, 434, 435, 444, 445, 449; 215/211, 216, 237, 251; 220/315, 320, 324, 377

(56) **References Cited**

U.S. PATENT DOCUMENTS

D. 292,967	*	12/1987	Gagnon	D9/439
D. 323,292	*	1/1992	Jones	D9/424
D. 327,431	*	6/1992	Farricielli	D9/444
D. 328,429	*	8/1992	Ben-Uri	D9/444
D. 338,828	*	8/1993	Segati	D9/300
D. 363,218	*	10/1995	Mann	D9/428
D. 365,518	*	12/1995	Wysocki	D9/445
D. 367,608	*	3/1996	Stranders	D9/424

D. 375,455 * 11/1996 Uhl et al. D9/300

* cited by examiner

Primary Examiner—Robert M. Spear

(74) *Attorney, Agent, or Firm*—Robert A. Franks

(57) **CLAIM**

The ornamental design for a cover cap for a dispensing container, as shown and described.

DESCRIPTION

FIG. 1 is a perspective view of a cover cap for a dispensing container, showing the top, right side and front of our new design, the cover cap being installed on a dispensing container outlined in broken lines and constituting no part of this invention;

FIG. 2 is a front view of the cover cap;

FIG. 3 is a back view of the cover cap;

FIG. 4 is a side view of the cover cap, the appearance of both sides being identical;

FIG. 5 is a bottom view of the cover cap;

FIG. 6 is a top view of the cover cap;

FIG. 7 is a perspective view of a translucent but otherwise identical embodiment of the cover cap, showing the top, right side and front thereof;

FIG. 8 is a front view of the cover cap of FIG. 7;

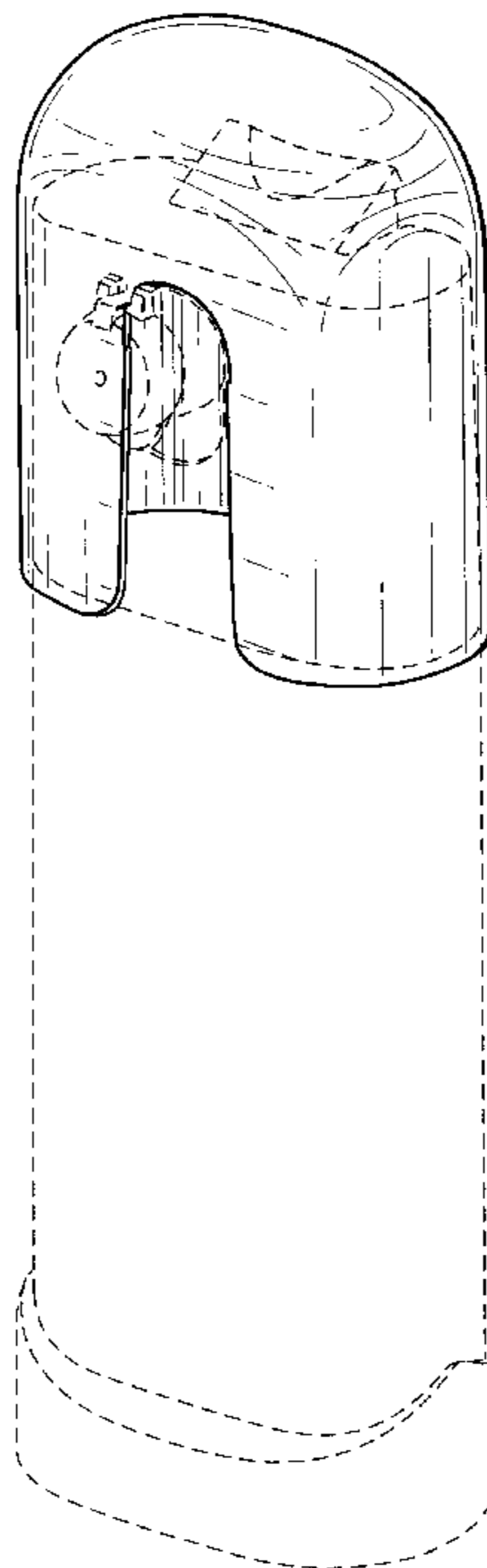
FIG. 9 is a back view of the cover cap of FIG. 7;

FIG. 10 is a side view of the cover cap of FIG. 7, the appearance of both sides being identical;

FIG. 11 is a bottom view of the cover cap of FIG. 7; and,

FIG. 12 is a top view of the cover cap of FIG. 7.

1 Claim, 6 Drawing Sheets



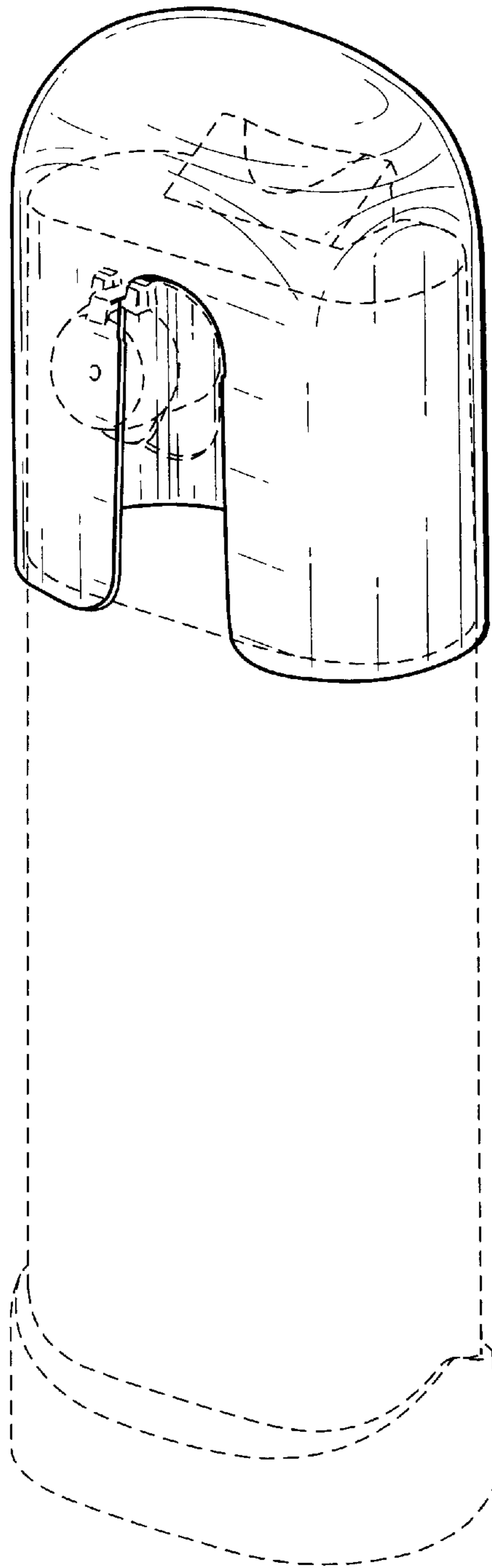


FIG. 1

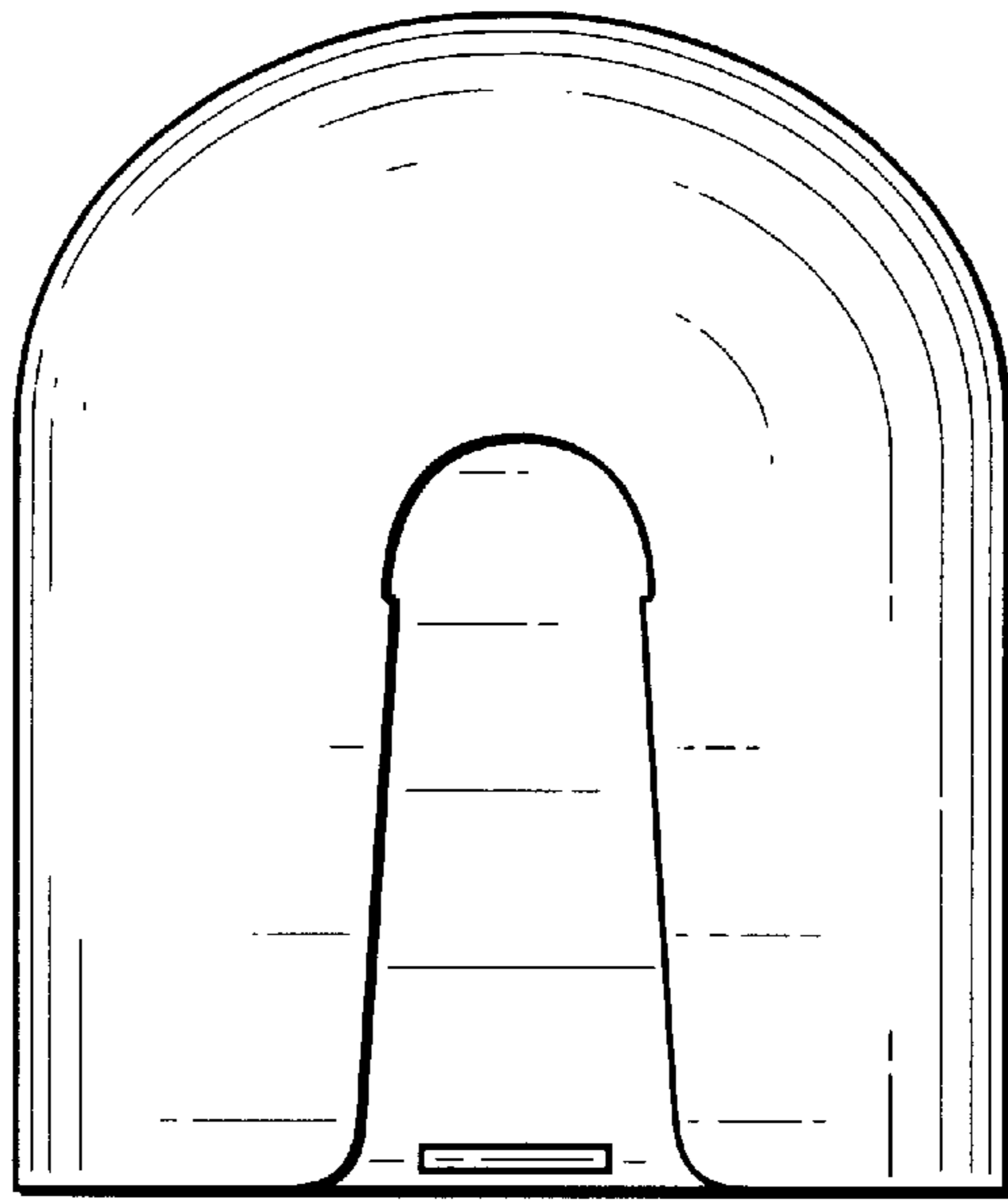


FIG. 2

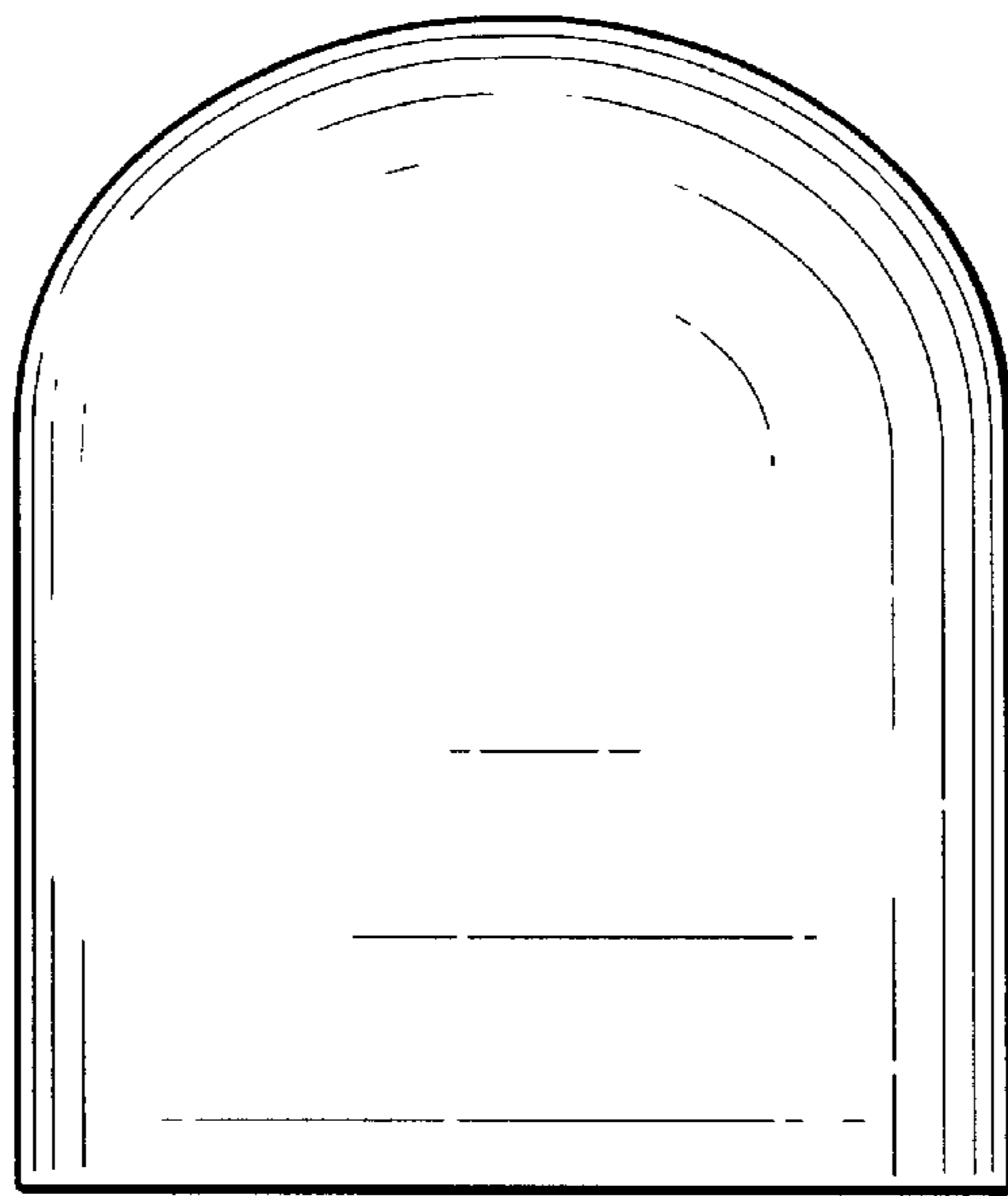


FIG. 3

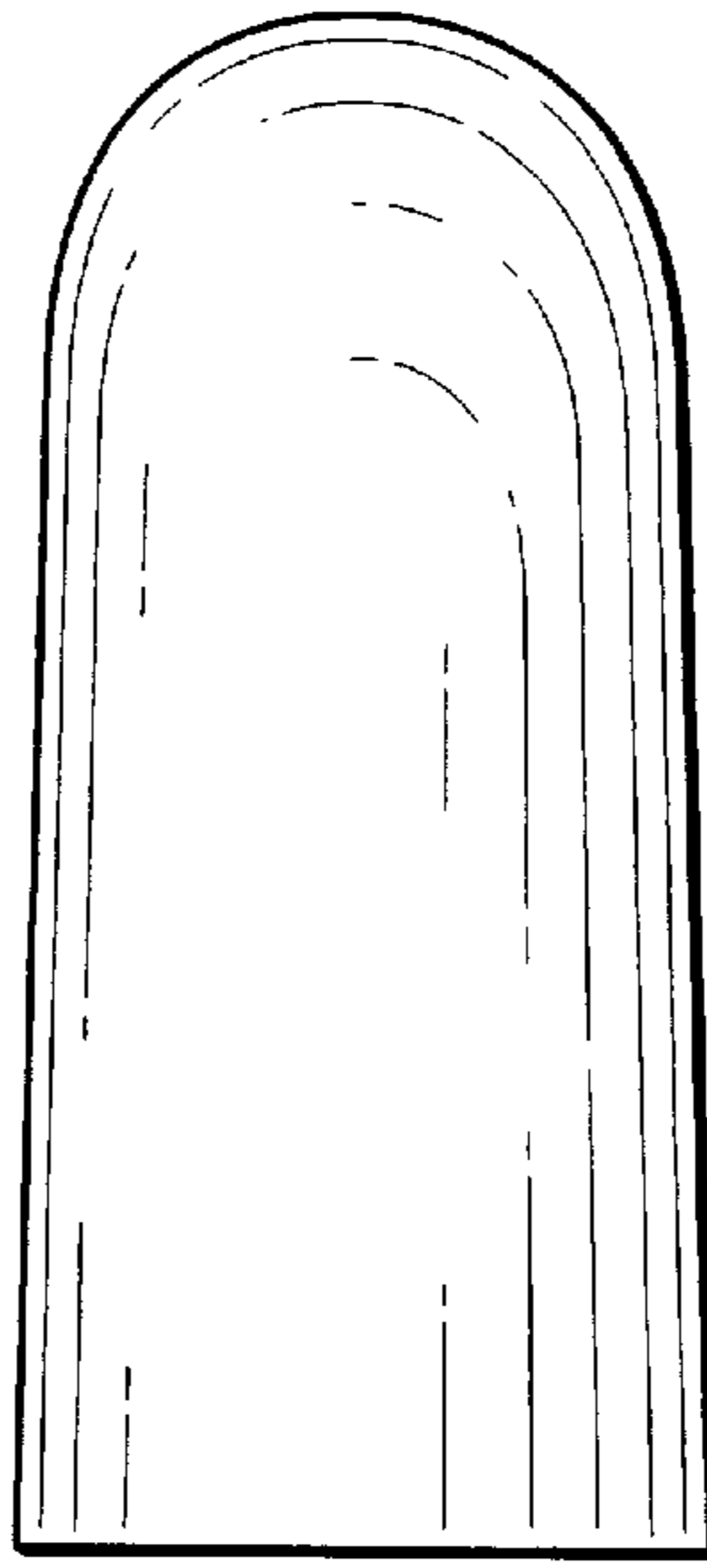


FIG. 4

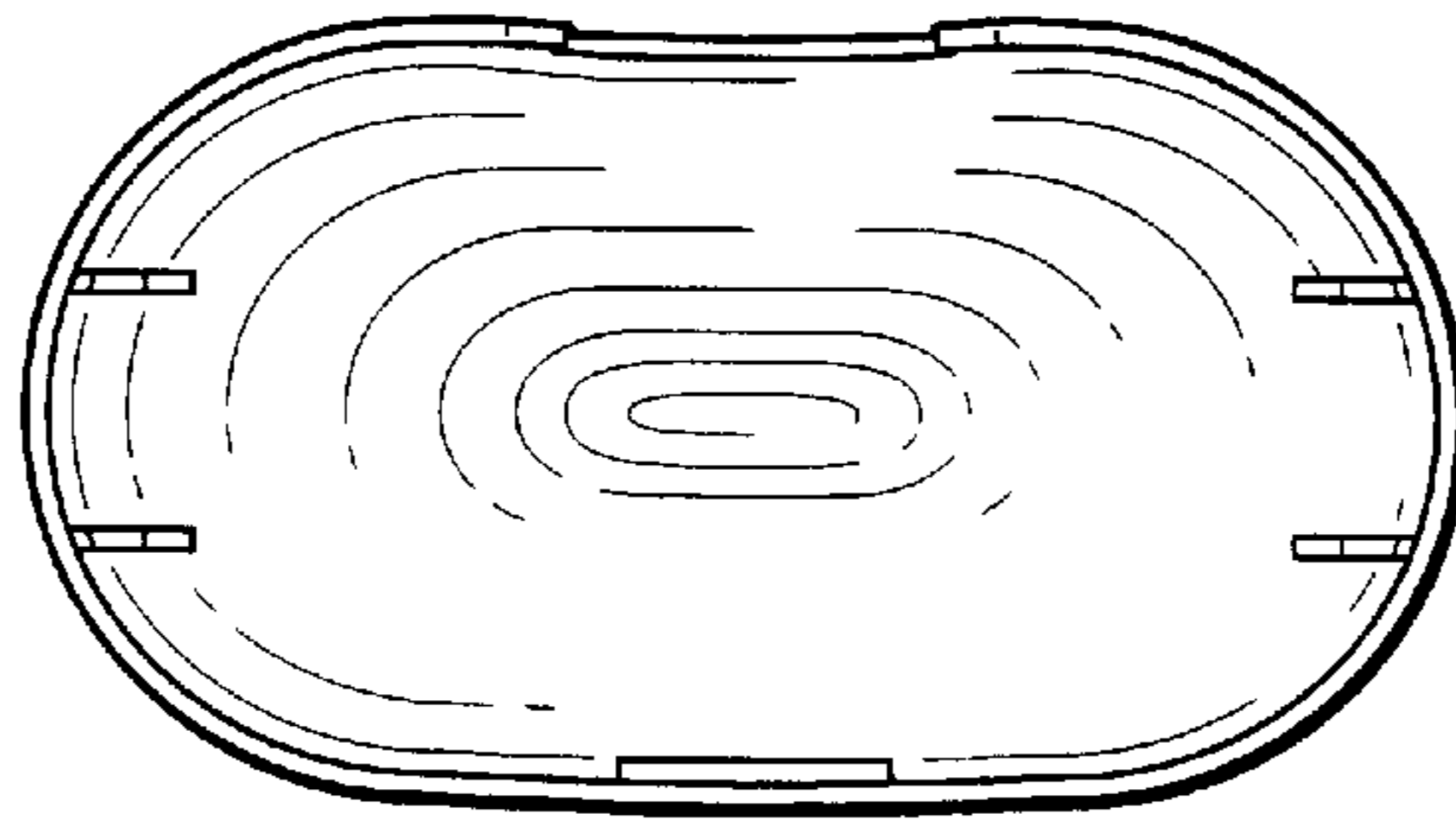


FIG. 5

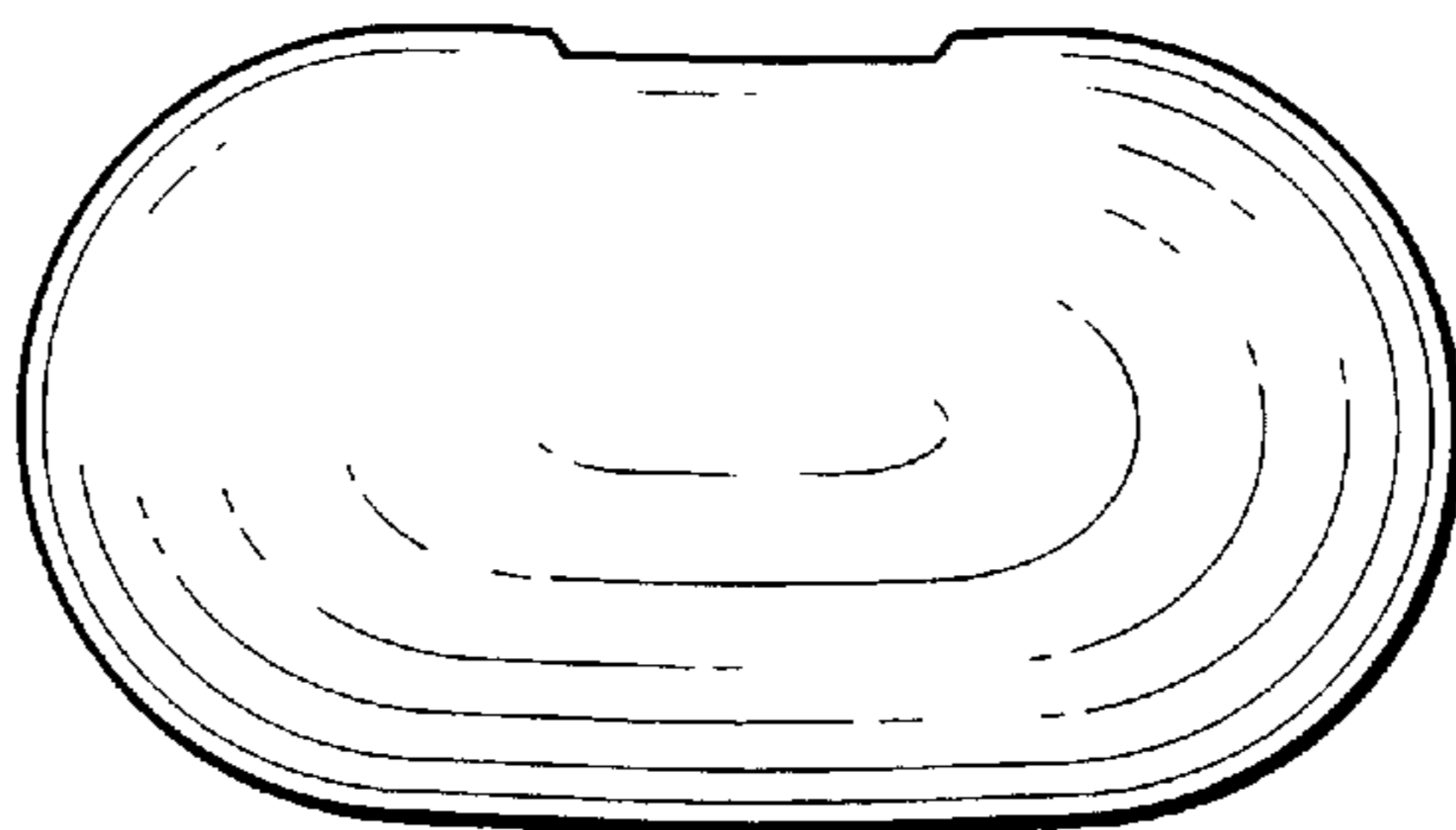


FIG. 6

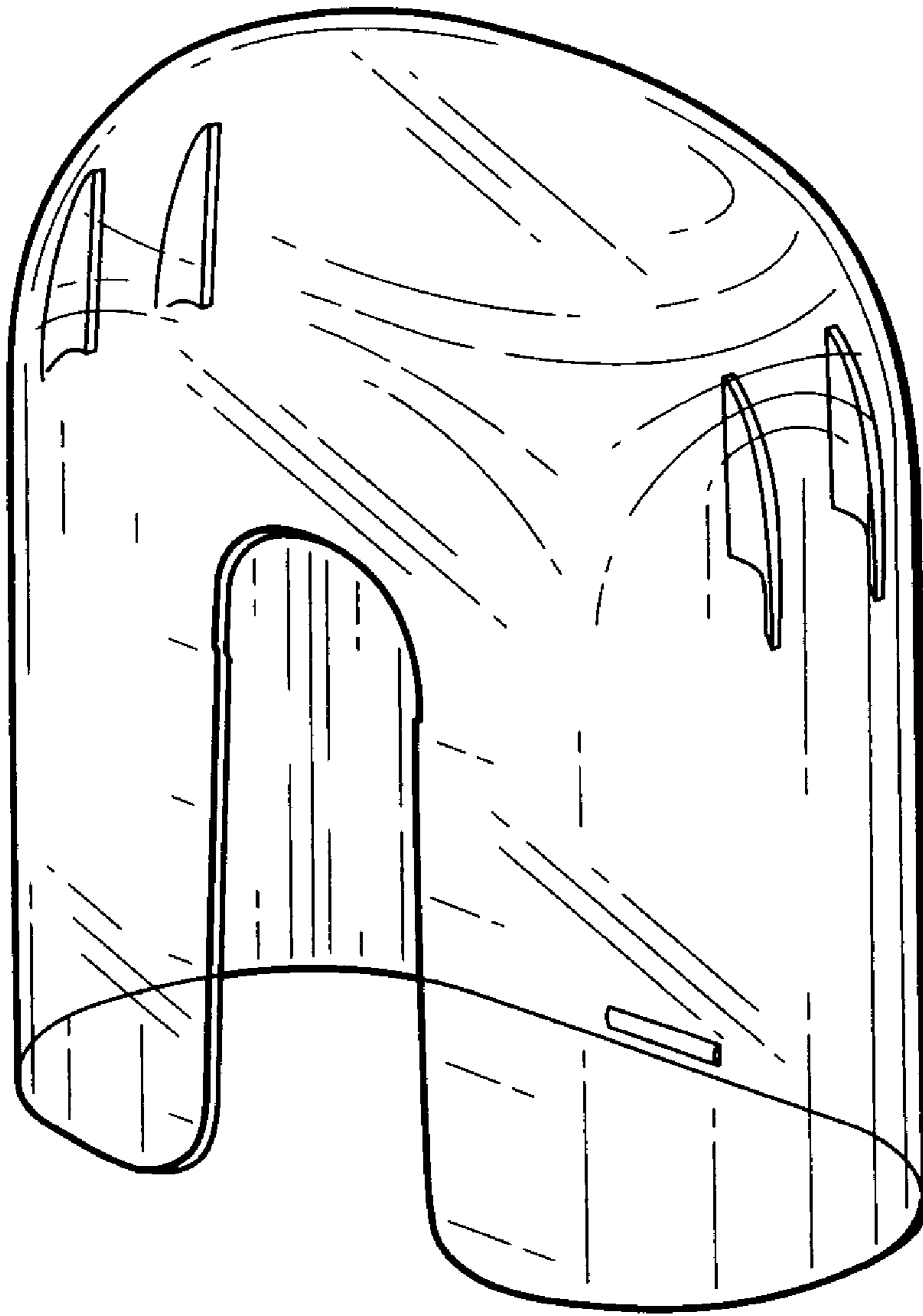


FIG. 7

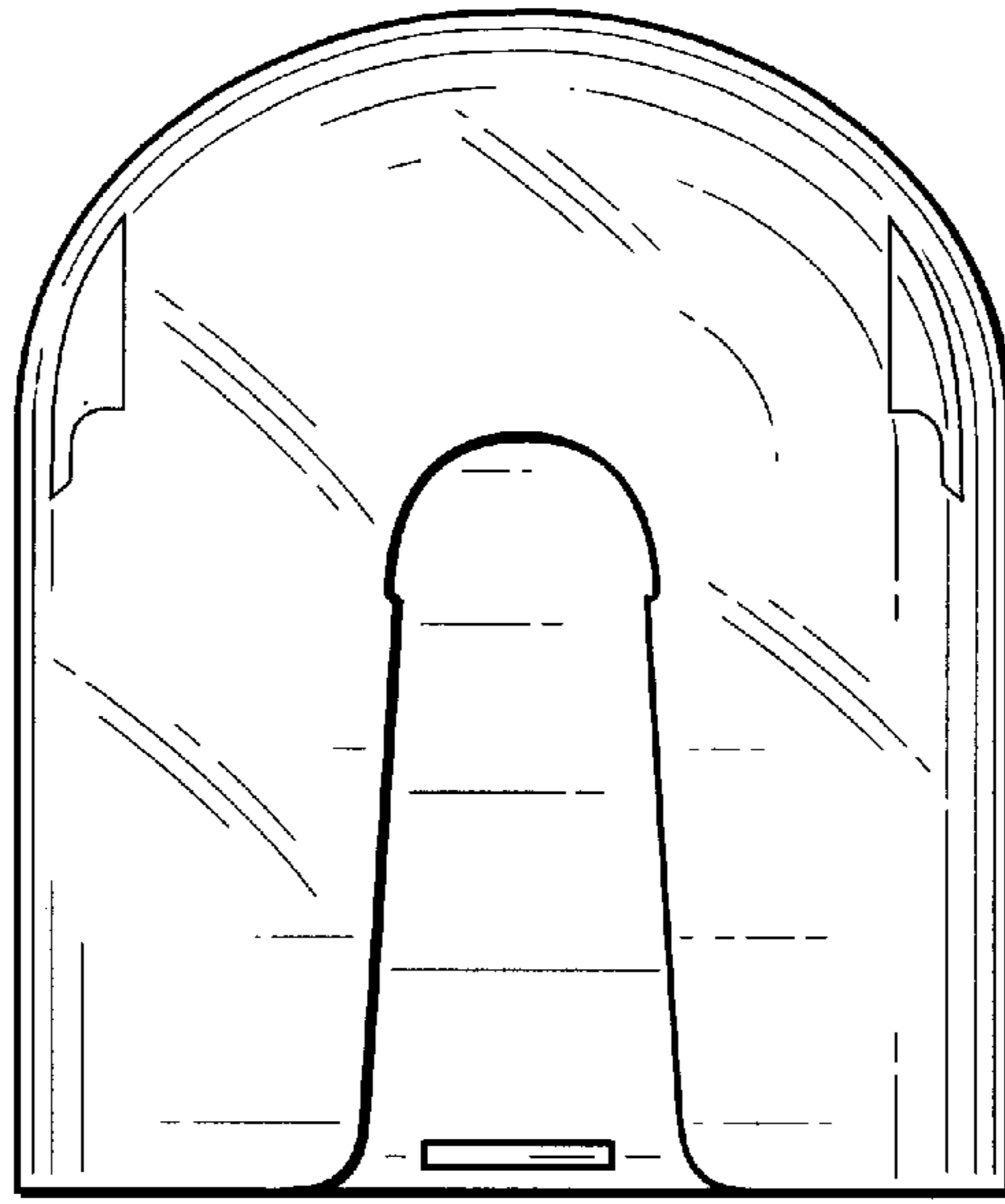


FIG. 8

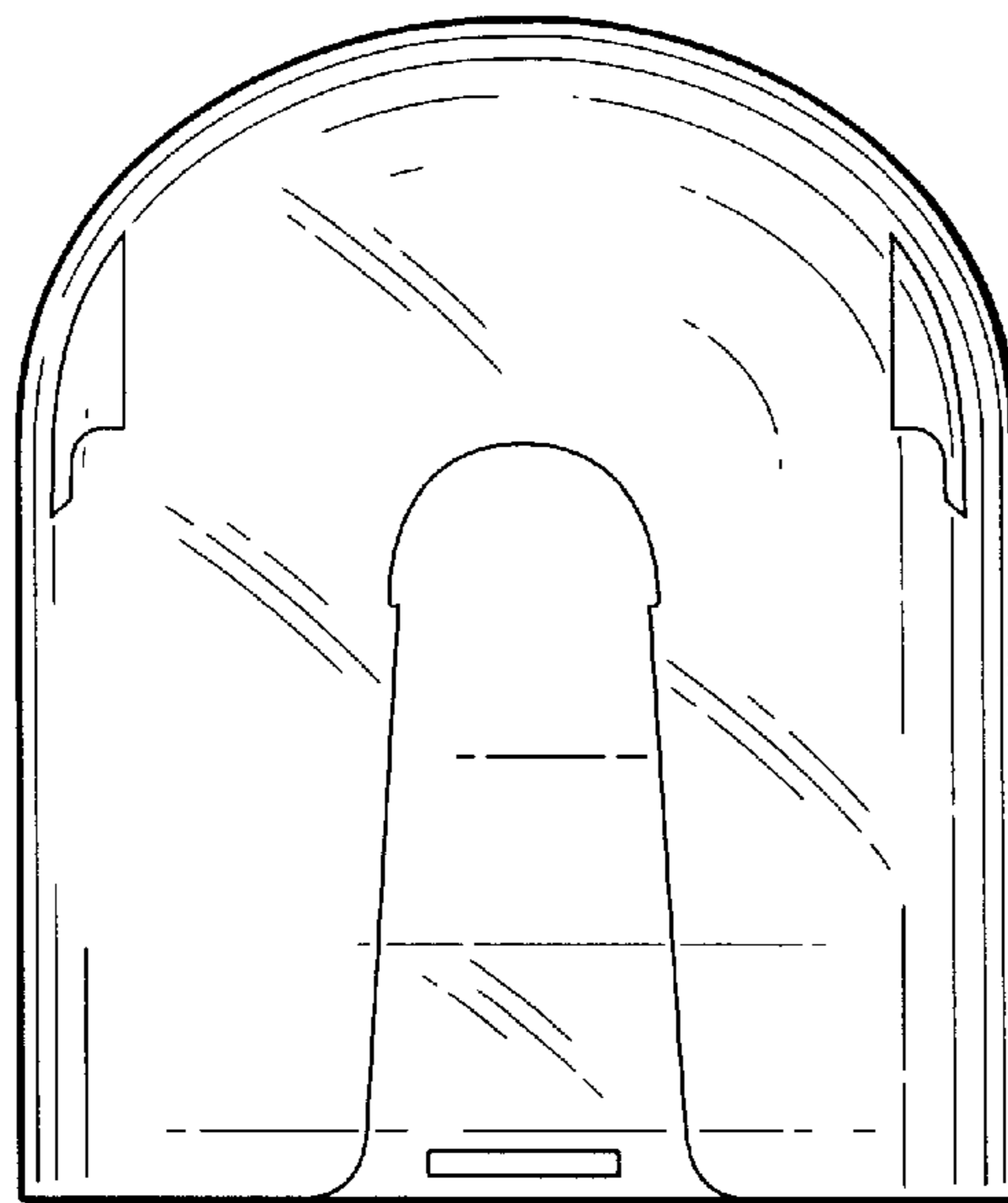


FIG. 9

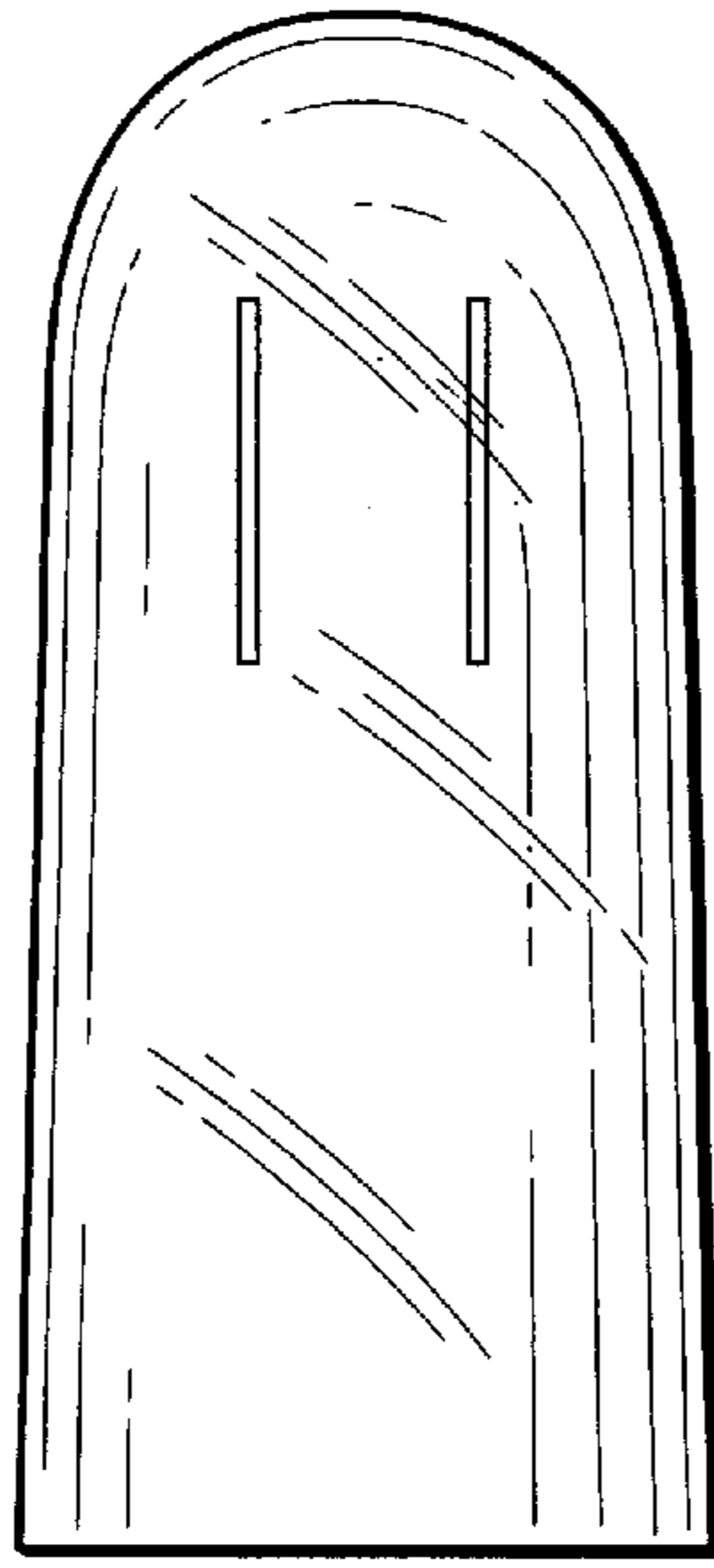


FIG. 10

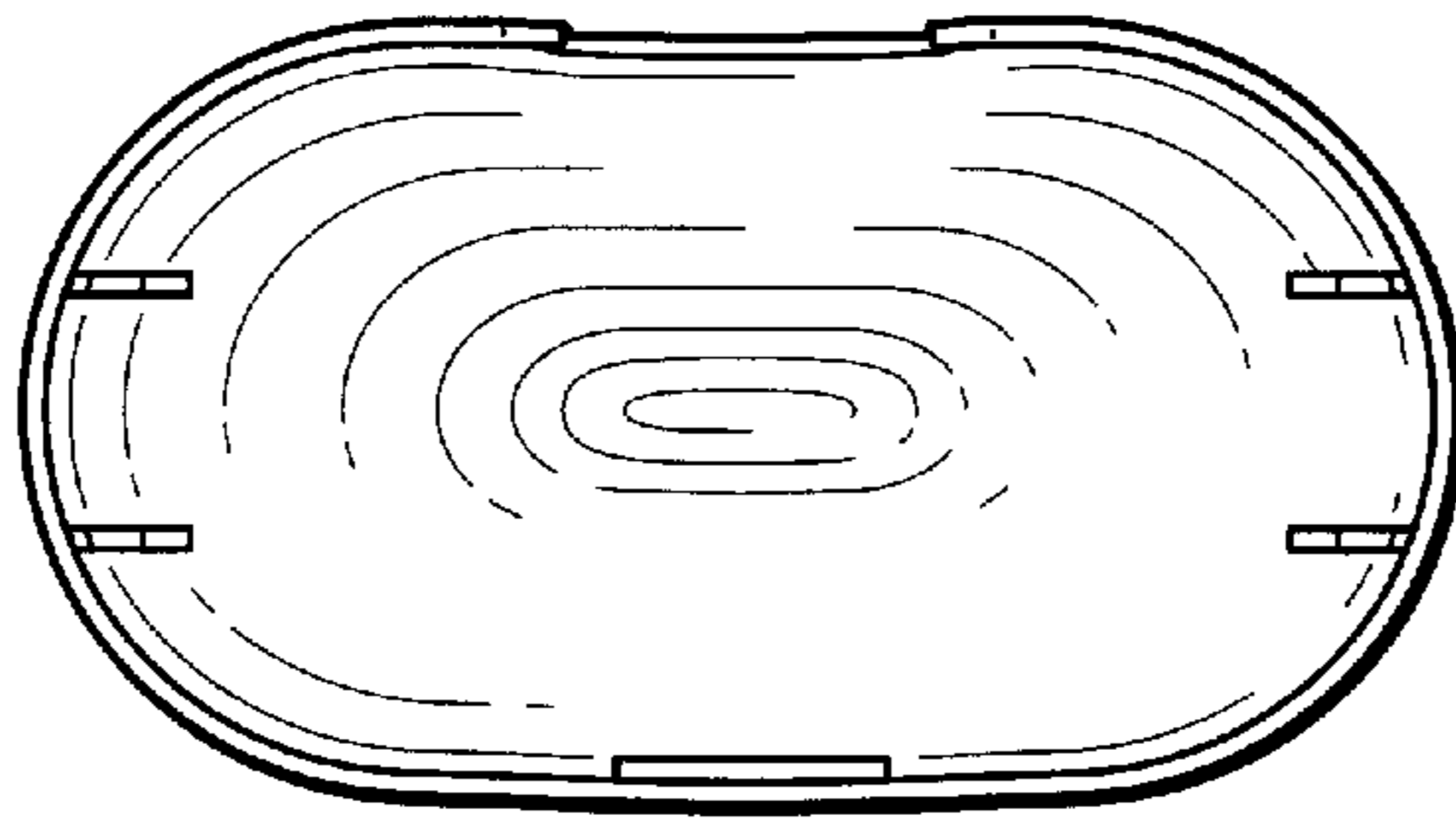


FIG. 11

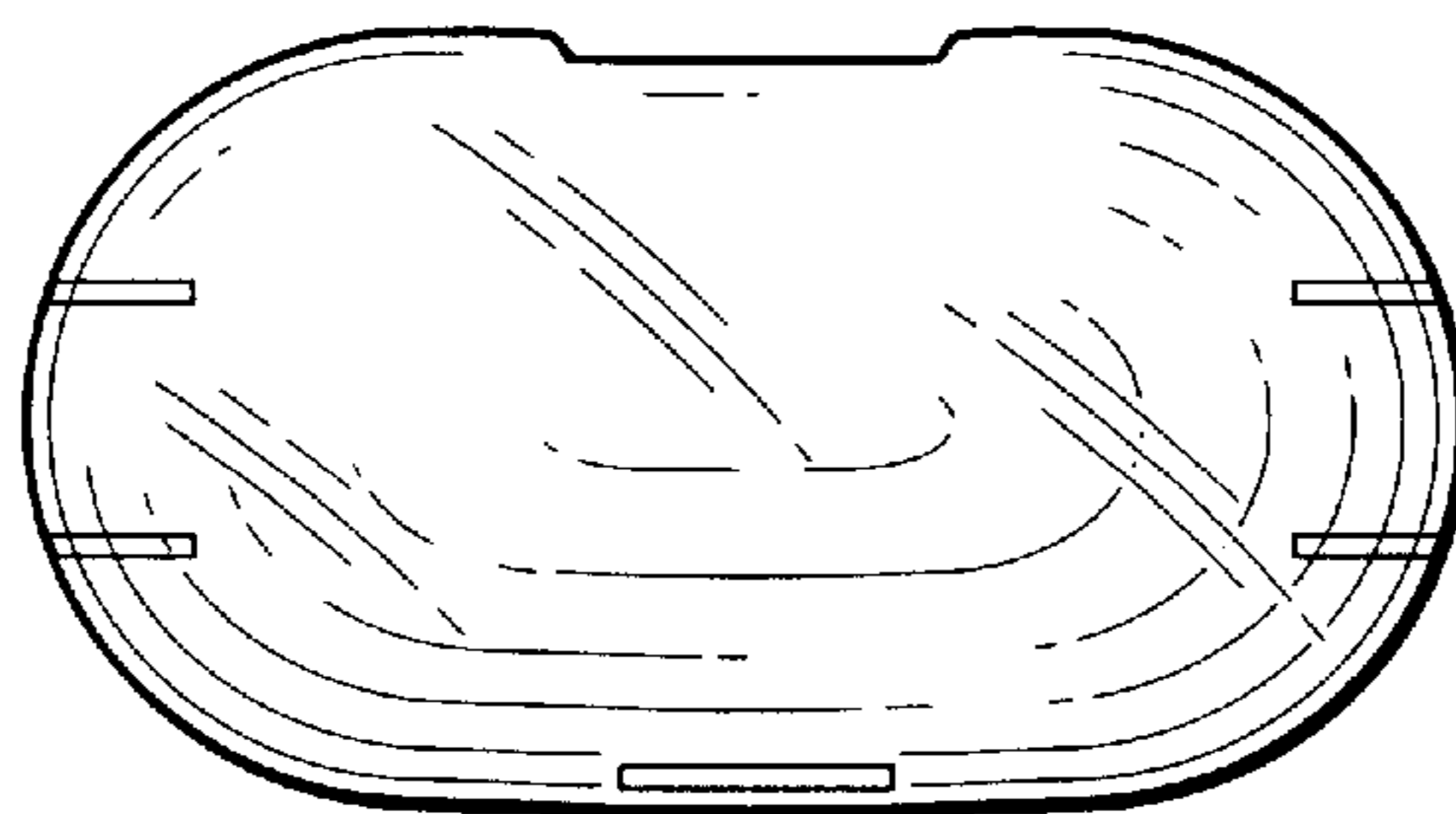


FIG. 12