



US00D438109S

(12) **United States Design Patent**  
**Vanderhoof et al.**

(10) **Patent No.:** **US D438,109 S**

(45) **Date of Patent:** **\*\* Feb. 27, 2001**

(54) **PAINT MIXING DEVICE**

5,407,270 \* 4/1995 Barile et al. .... 366/247  
5,533,802 \* 7/1996 Garganese ..... 366/256

(75) Inventors: **Troy P. Vanderhoof**, Silver Lake, WI (US); **John P. Dodge**, McHenry, IL (US)

\* cited by examiner

*Primary Examiner*—Cathron Brooks

(73) Assignee: **Innovative Ideas In Motion, Inc.**, McHenry, IL (US)

(74) *Attorney, Agent, or Firm*—Mathew R. P. Perrone, Jr.

(\*\*) Term: **14 Years**

(57) **CLAIM**

The ornamental design for a paint mixing device, as shown and described.

(21) Appl. No.: **29/127,907**

**DESCRIPTION**

(22) Filed: **Aug. 14, 2000**

(51) **LOC (7) Cl.** ..... **09-07**

(52) **U.S. Cl.** ..... **D9/436**

(58) **Field of Search** ..... D9/436, 447, 456;  
D32/53, 53.1, 54; 215/390, 391; 220/694,  
702, 733; 366/247, 256, 605

FIG. 1 is a top perspective view of a paint mixing device situated in a paint can which is shown in broken lines for illustrative purposes only and forms no part of the claimed design.

FIG. 2 is a side view of FIG. 1 rotated 90 degrees counter-clockwise;

FIG. 3 is a side view of FIG. 1 and a reverse view of FIG. 2;

FIG. 4 is a side view of FIG. 1;

FIG. 5 is a side view of FIG. 1 and a reverse view of FIG. 4;

FIG. 6 is a top plan view of FIG. 1;

FIG. 7 is a bottom plan of FIG. 1 and a reverse view of FIG. 6; and,

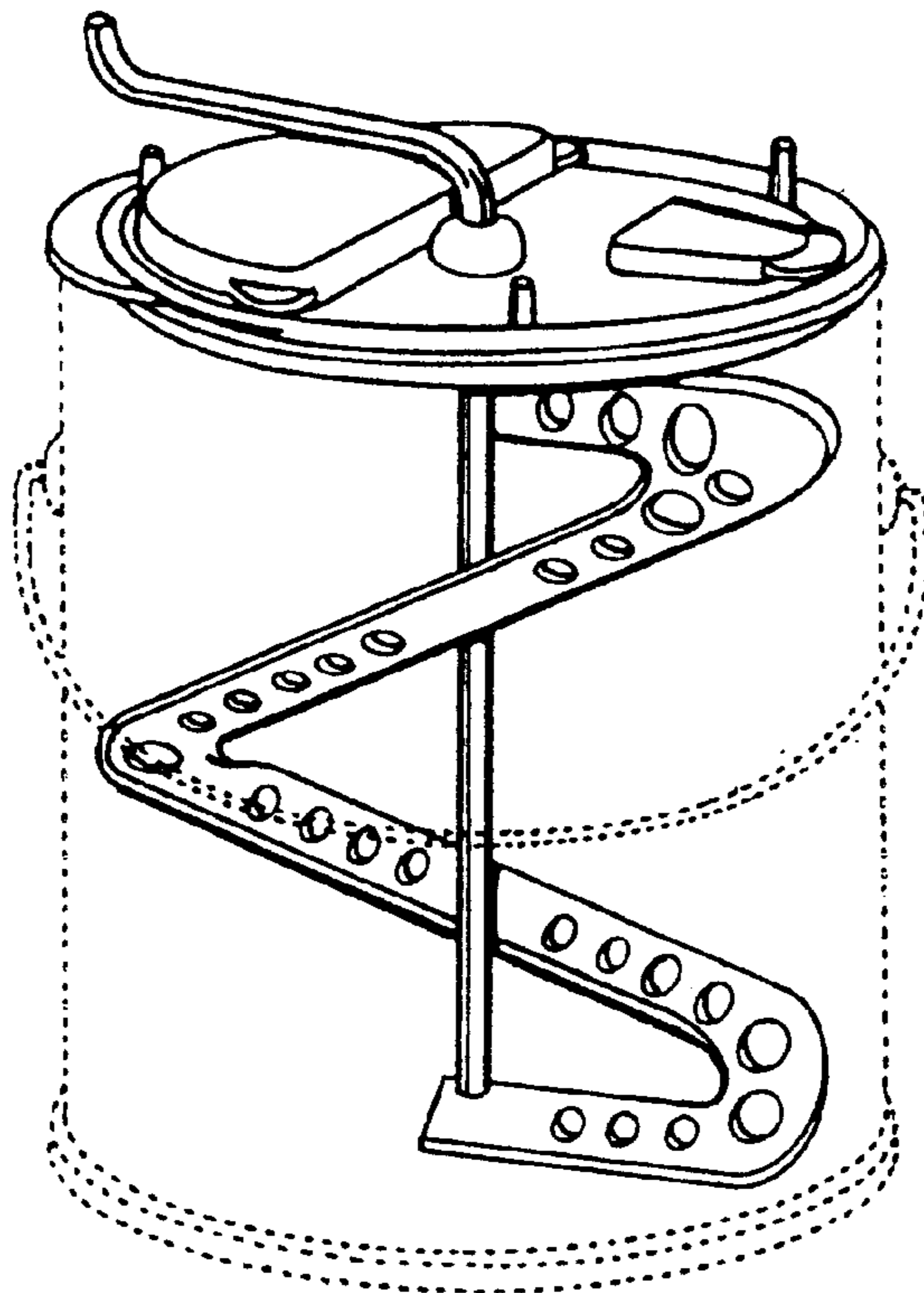
FIG. 8 is a perspective view of FIG. 1, shown with the parts exploded for completeness of illustration.

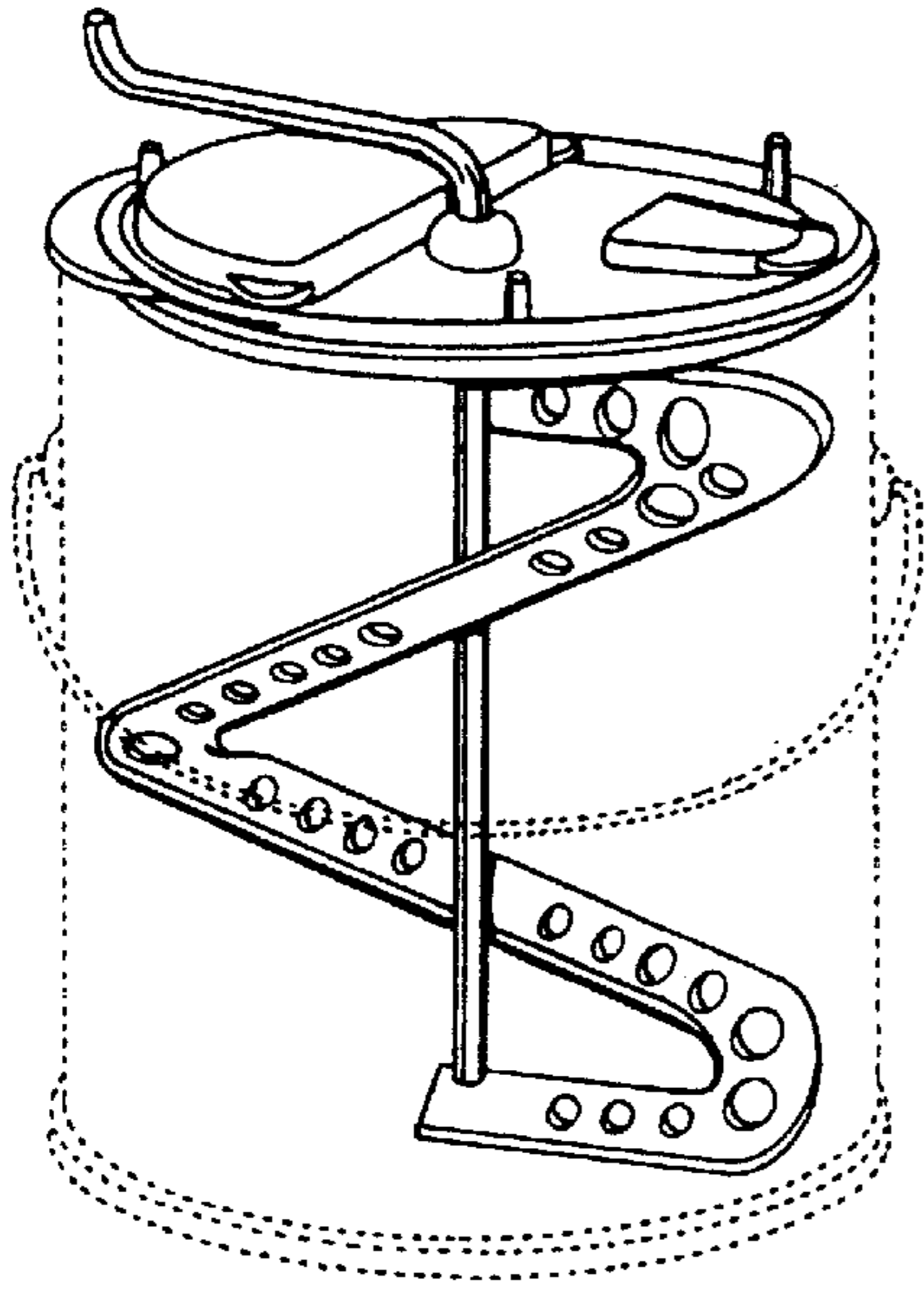
(56) **References Cited**

**U.S. PATENT DOCUMENTS**

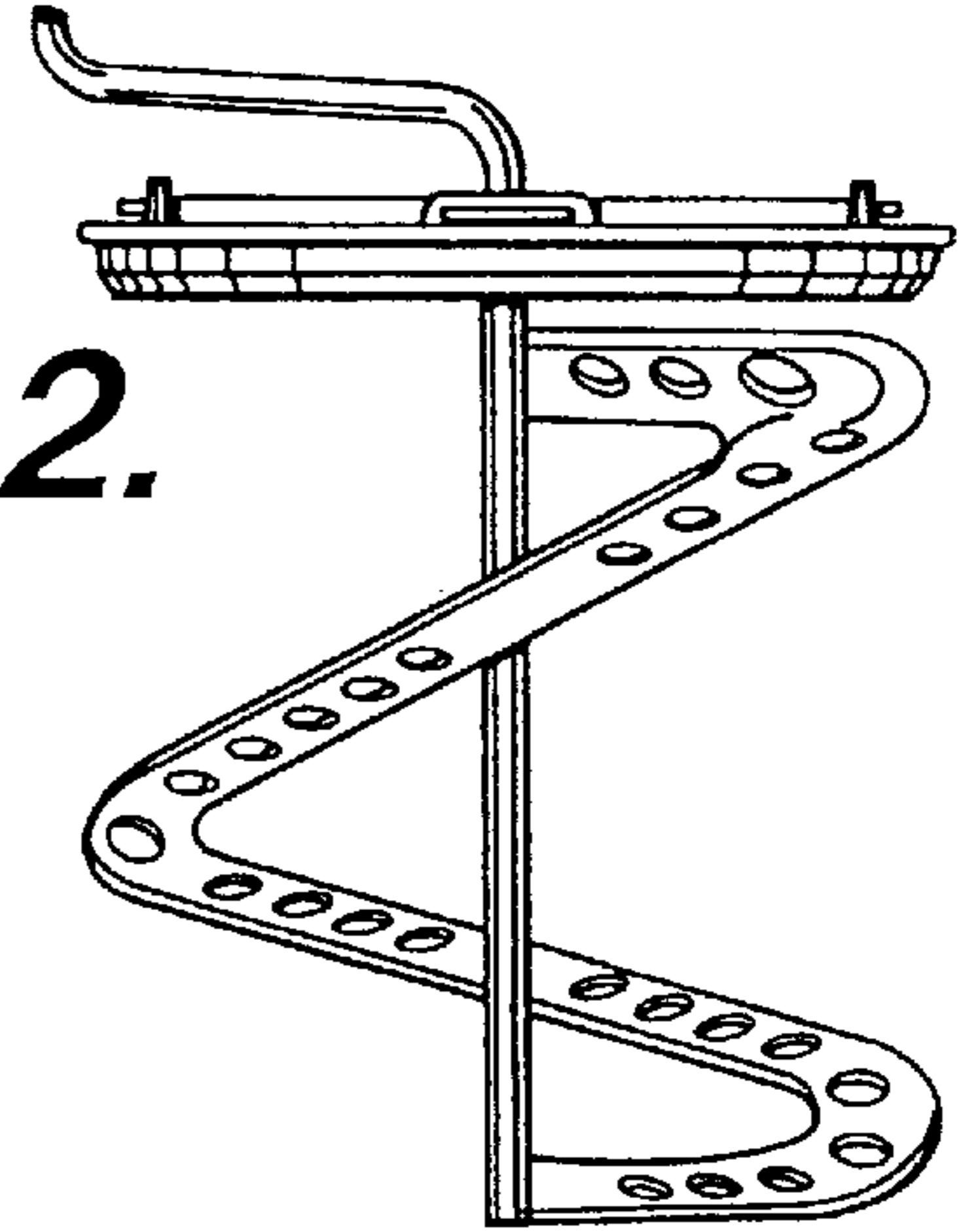
- D. 320,938 \* 10/1991 Stallings ..... D9/436
- D. 326,819 \* 6/1992 Border ..... D9/447
- D. 327,015 \* 6/1992 Stallings ..... D9/436
- D. 361,719 \* 8/1995 Walther ..... D9/456
- D. 370,411 \* 6/1996 Vernon, IV ..... D9/436 X
- 3,641,615 \* 2/1972 Peasley ..... D32/54 X
- 4,926,390 \* 5/1990 Murzsa ..... 366/605
- 5,094,543 \* 3/1992 Mursa ..... 366/605 X
- 5,199,788 \* 4/1993 Stallings ..... 366/247

**1 Claim, 2 Drawing Sheets**

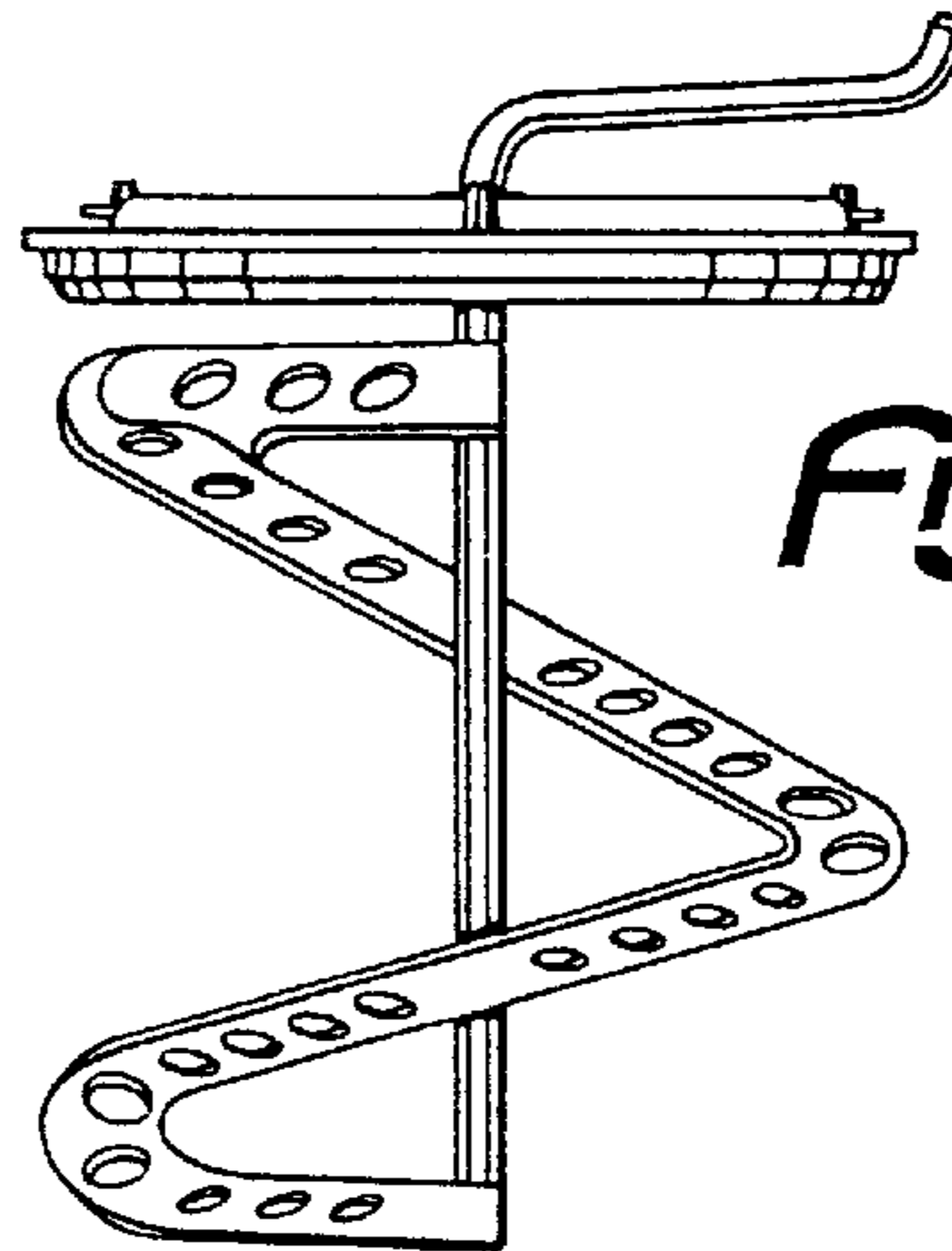




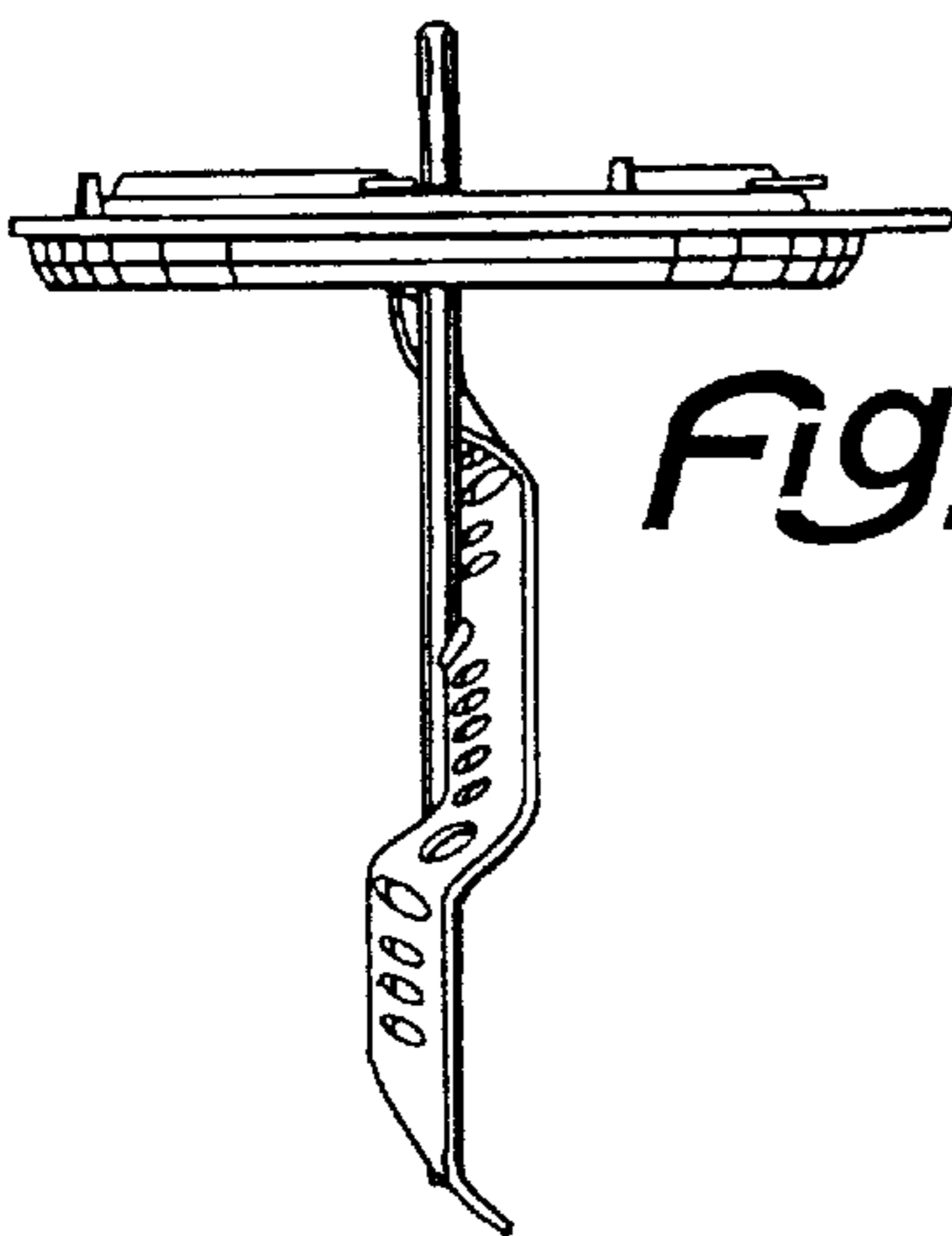
**FIG. 1.**



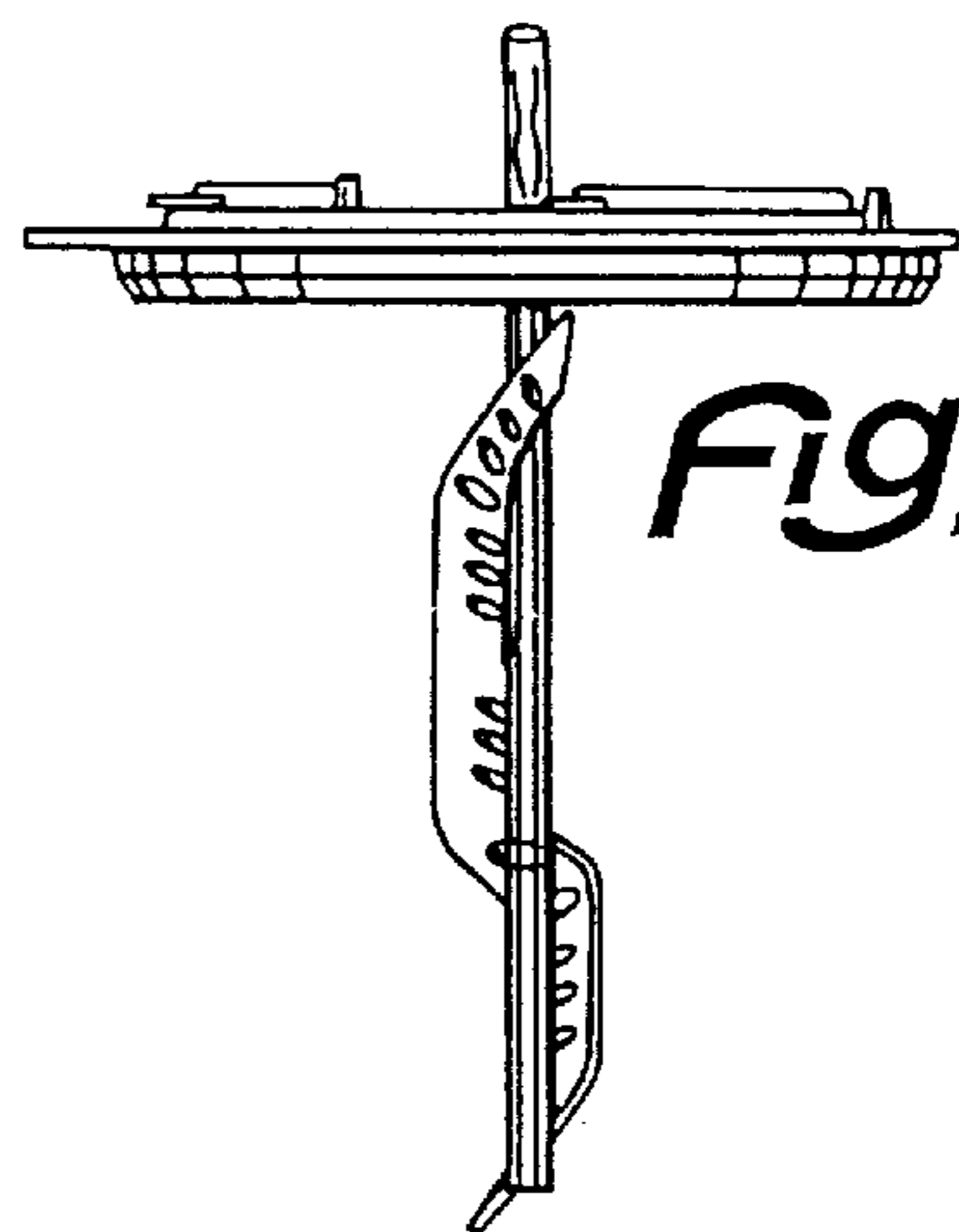
**FIG. 2.**



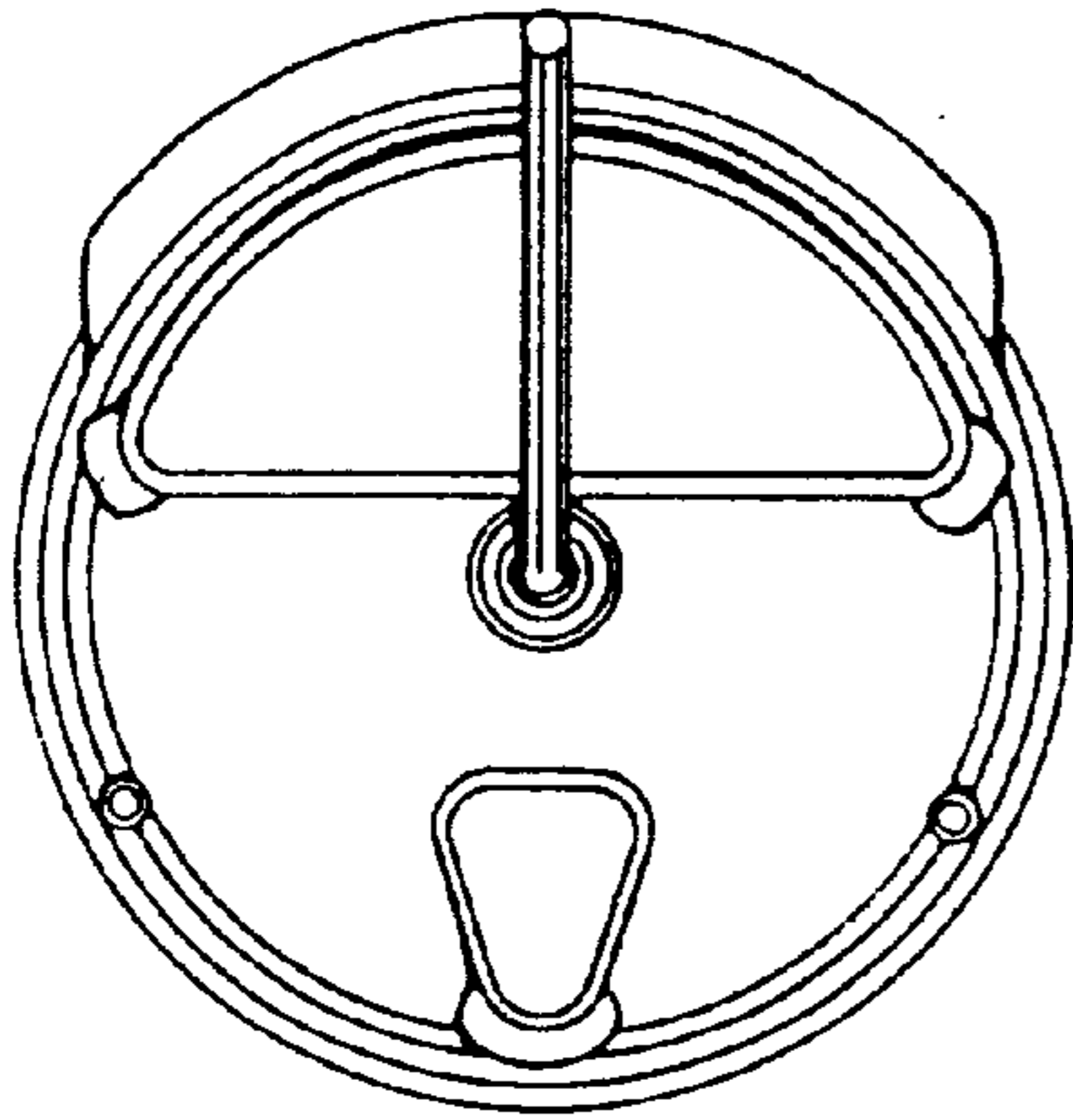
**FIG. 3.**



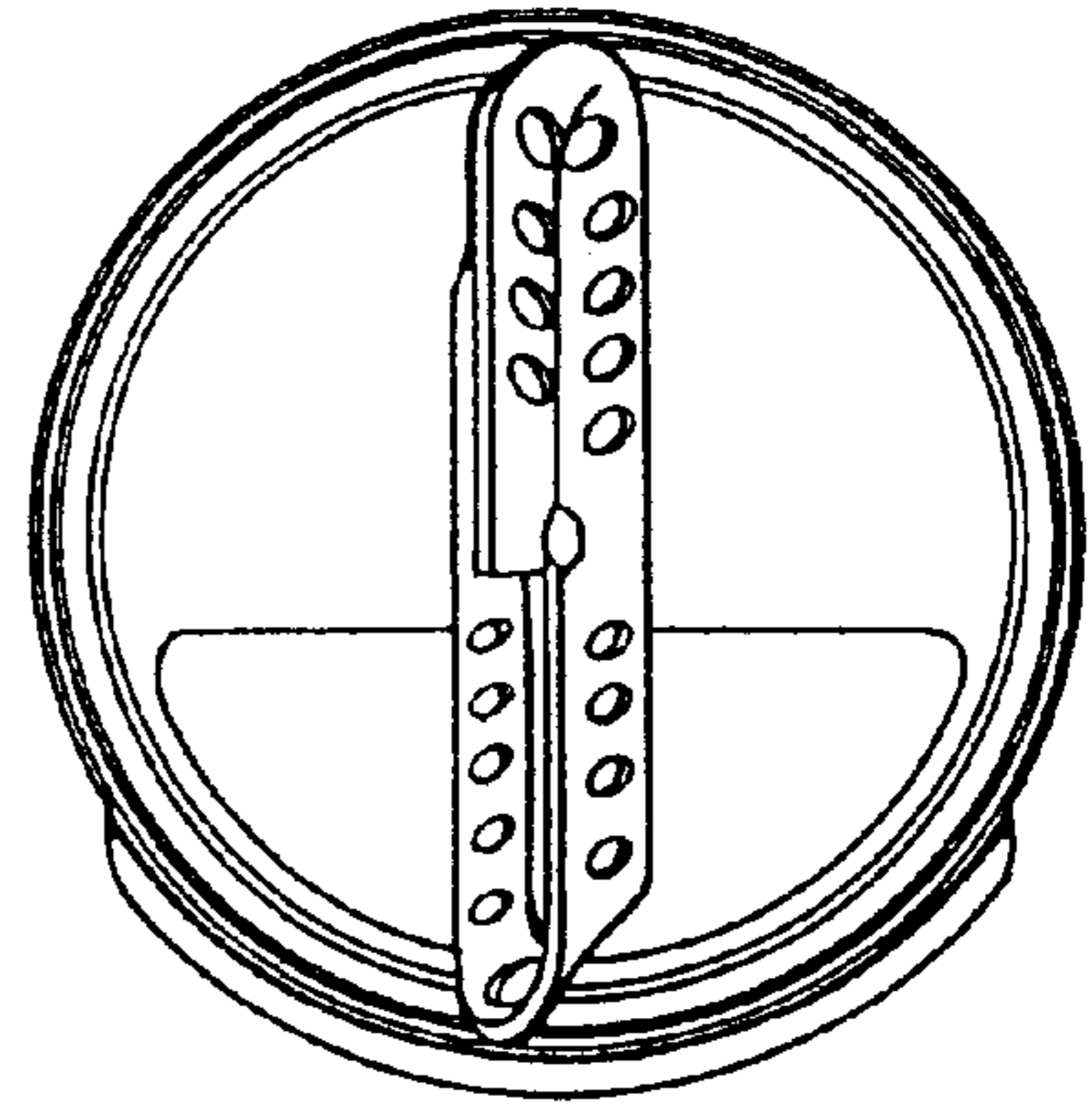
**FIG. 4.**



**FIG. 5.**



**FIG. 6.**



**FIG. 7.**

**FIG. 8.**

