



US00D438107S

(12) **United States Design Patent**  
**Bretz et al.**

(10) **Patent No.:** **US D438,107 S**

(45) **Date of Patent:** **\*\* Feb. 27, 2001**

(54) **BOTTLE**

(75) Inventors: **John M. Bretz**, Crystal Lake; **Susan L. Colten**, Wilmette; **Rachel Orland**, Chicago; **Jeffrey L. Pattee**; **Susan Vanderwiel**, both of Palatine, all of IL (US); **David Piccioli**, Auburn, NH (US); **Bradley L. Allen**, St. Charles; **Bryce Rutter**, St. Louis, both of MO (US); **William Scott Portzline**, Portland, OR (US)

(73) Assignee: **Stokely-Van Camp, Inc.**, Chicago, IL (US)

(\*\*) Term: **14 Years**

(21) Appl. No.: **29/081,828**

(22) Filed: **Nov. 19, 1997**

**Related U.S. Application Data**

(63) Continuation of application No. 29/064,094, filed on Dec. 6, 1996, now abandoned.

(51) **LOC (7) Cl.** ..... **09-01**

(52) **U.S. Cl.** ..... **D9/434; D9/520; D9/538**

(58) **Field of Search** ..... **D9/520, 502, 557, D9/538-540, 500-505; 215/370-375, 382-384**

(56) **References Cited**

**U.S. PATENT DOCUMENTS**

D. 64,152	3/1924	Sweeney .	
D. 116,861	9/1939	Mas .....	D9/500
D. 159,616 *	8/1950	Hoffman .....	D9/557
D. 166,542	4/1952	Kunett .....	D9/540
D. 183,040	6/1958	Du Pree .....	D9/557
D. 208,504	9/1967	Trombley .....	D58/8
D. 214,158	5/1969	Pettengill .....	D9/100
D. 217,230 *	4/1970	Kissig .....	D9/500

D. 218,019	7/1970	Lattraye et al. ....	D9/73
D. 235,736	7/1975	Strand .....	D9/111
D. 241,715	10/1976	Plummer .....	D9/1
D. 269,500	6/1983	Bit .....	D9/350
D. 270,520 *	9/1983	Strand .....	D9/500

(List continued on next page.)

**FOREIGN PATENT DOCUMENTS**

64-9146	1/1989	(JP) .
5553 *	2/1993	(PH) .

**OTHER PUBLICATIONS**

Dannon water bottle (date not provided).  
Evian water bottle (date not provided).  
Jun. 29, 1996, picture of bottle (Exhibit A).

*Primary Examiner*—Lucy Lieberman

(74) *Attorney, Agent, or Firm*—Lars S. Johnson

(57) **CLAIM**

The ornamental design for a bottle, as shown and described.

**DESCRIPTION**

FIG. 1 is a perspective view of a bottle showing our new design;

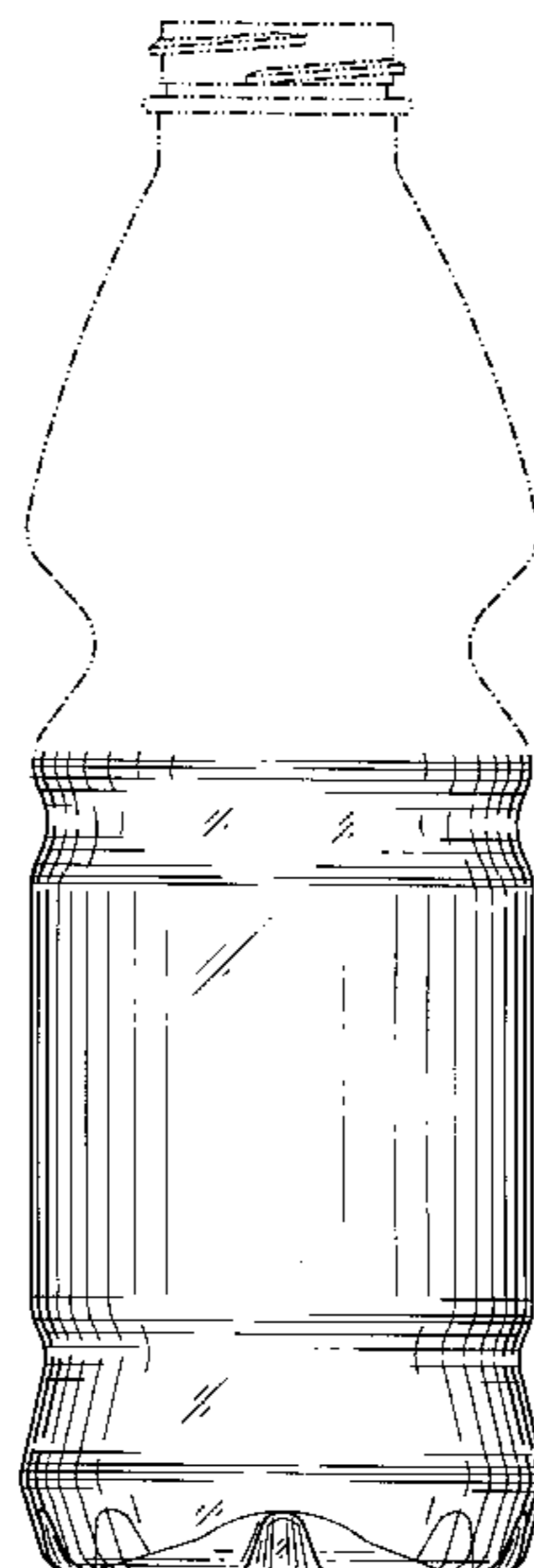
FIG. 2 is a front elevation of the bottle, the rear and side elevations are the same except for the placement of the indentations around the base of the bottle, which can be seen in FIG. 4;

FIG. 3 is a side view of the bottle depicted in FIG. 2 representing a partial rotation of the bottle about its vertical center axis from the front view depicted in FIG. 2; and,

FIG. 4 is a bottom view of the bottle depicted FIG. 2.

The broken lines showing the upper portion of a bottle are for illustrative purposes only and do not form part of the claimed design.

**1 Claim, 3 Drawing Sheets**



# US D438,107 S

Page 2

## U.S. PATENT DOCUMENTS

D. 283,794	5/1986	Richter	.....	D9/396	D. 379,760 *	6/1997	Zogg	.....	D9/503 X
D. 292,269	10/1987	Jacobs et al.	.....	D9/349	D. 379,762	6/1997	Zogg	.....	D9/502
D. 292,374	10/1987	Jacobs et al.	.....	D9/349	D. 382,806	8/1997	Wilson et al.	.	
D. 292,375	10/1987	Jacobs et al.	.....	D9/349	D. 396,413	7/1998	Duboff	.....	D9/539
D. 300,511	4/1989	Cramer	.....	D9/396	D. 396,640	8/1998	Conrad et al.	.....	D9/502
D. 306,262	2/1990	Bit	.....	D9/396	D. 397,297	8/1998	Yang	.....	D9/523
D. 315,869	4/1991	Collette	.....	D9/392	D. 397,941	9/1998	Lauth	.....	D9/502
D. 320,154	9/1991	Alberghini et al.	.		D. 398,538	9/1998	Fuquen et al.	.....	D9/542
D. 334,342 *	3/1993	Thompson	.....	D9/502	D. 401,860	12/1998	Granelli	.....	D9/538
D. 335,084	4/1993	Snyder	.....	D9/502	D. 407,649	4/1999	McCallister et al.	.....	D9/520
D. 344,457	2/1994	Prevot et al.	.....	D9/537	3,331,521 *	7/1967	Paige	.....	215/382
D. 345,693	4/1994	Edstrom	.....	D9/332	4,850,494 *	7/1989	Howard, Jr.	.....	215/375
D. 348,606	7/1994	Edstrom	.		5,024,341	6/1991	Dekerle	.....	215/11.1
D. 352,245	11/1994	Krishnakumar et al.	.....	D9/538	5,141,120	8/1992	Brown et al.	.....	215/1 C
D. 370,178	5/1996	Pêtre et al.	.....	D9/520	5,337,909	8/1994	Vaillencourt	.....	215/1 C
D. 372,091	7/1996	McCallister et al.	.....	D24/121	5,341,946	8/1994	Vaillencourt et al.	.....	215/1 C
D. 374,147	10/1996	Lillelund et al.	.....	D7/300.1	5,385,250	1/1995	Pasquale	.....	215/1 C
D. 379,150 *	5/1997	Richardson	.....	D9/538 X	5,632,397	5/1997	Fandoux et al.	.....	215/382
D. 379,151	5/1997	Stevens	.....	D9/503	5,635,229	6/1997	Ray	.....	426/112
D. 379,224	5/1997	McCallister et al.	.....	D24/121	5,746,339	5/1998	Petre et al.	.....	215/383
D. 379,306 *	5/1997	Peykoff	.....	D9/502	5,759,653	6/1998	Collette et al.	.....	428/35.9

\* cited by examiner

FIG. 1

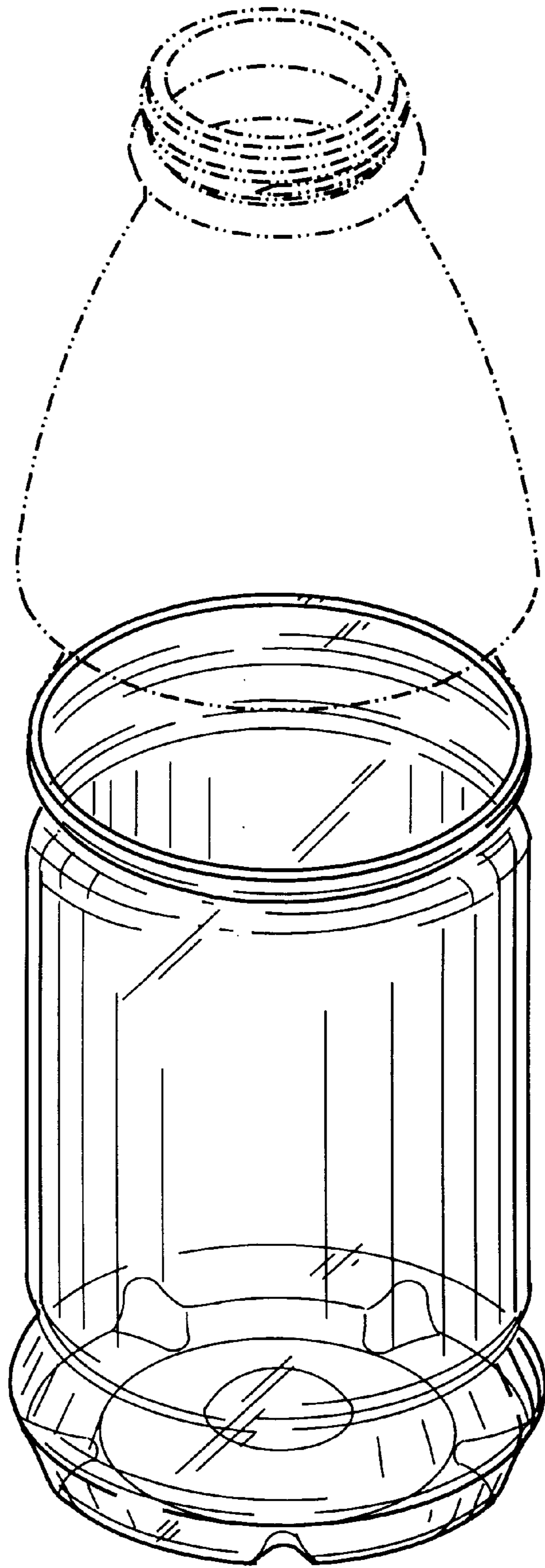


FIG. 2

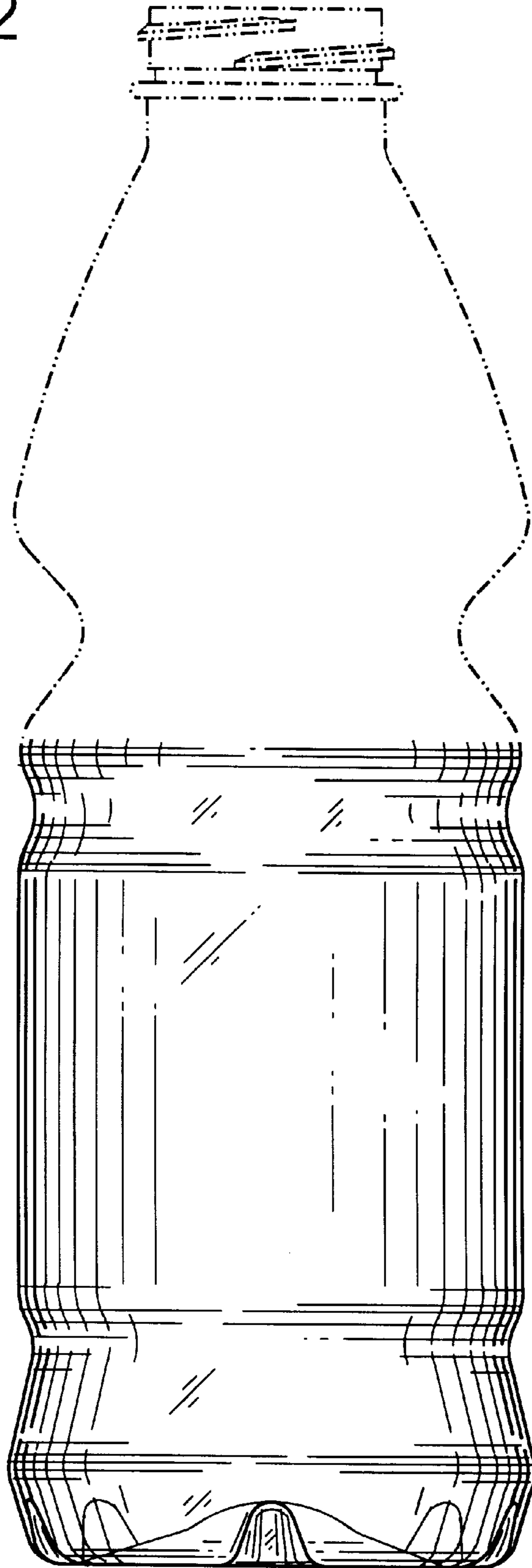


FIG. 3

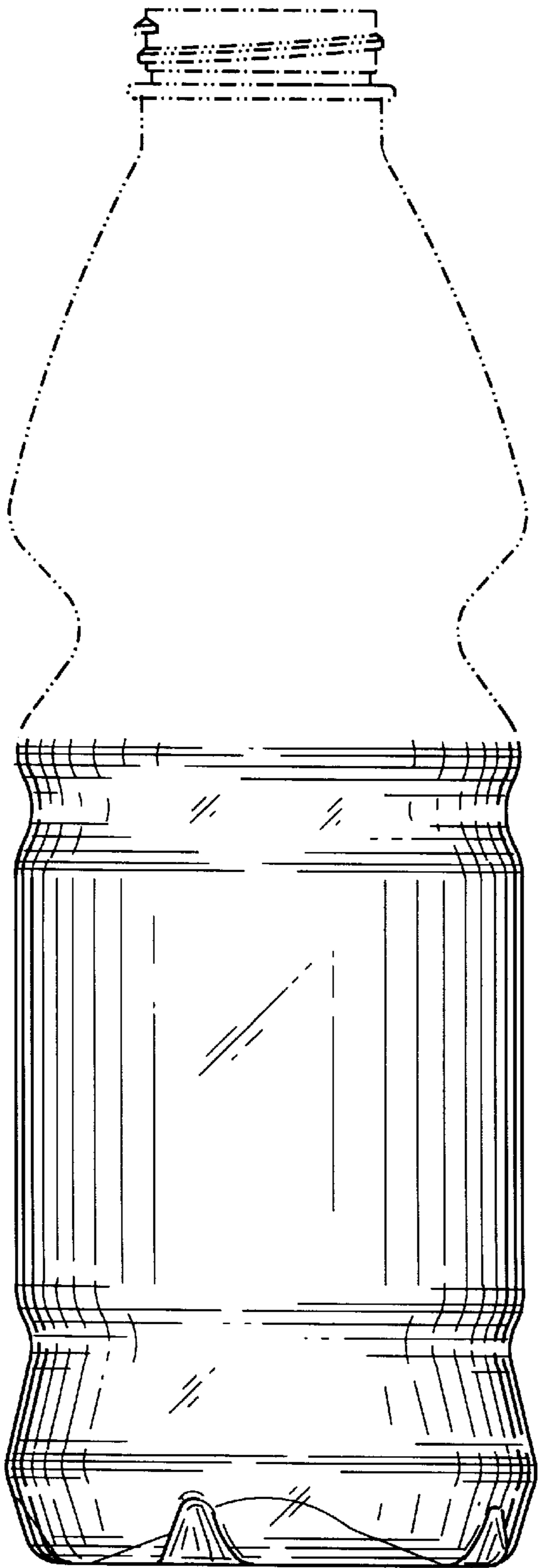


FIG. 4

