



US00D438105S

(12) **United States Design Patent**
Conner et al.

(10) **Patent No.:** **US D438,105 S**

(45) **Date of Patent:** **** Feb. 27, 2001**

(54) **CIGARETTE PACK CONTAINER**

(75) Inventors: **Doug Conner; Volker Lemmer**, both of Westport, CT (US)

(73) Assignee: **Imperial Tobacco Products Limited**, Montreal (CA)

(**) Term: **14 Years**

(21) Appl. No.: **29/111,901**

(22) Filed: **Oct. 6, 1999**

(51) **LOC (7) Cl.** **09-03**

(52) **U.S. Cl.** **D9/430**

(58) **Field of Search** D9/337, 341, 345, D9/346, 414, 430-433; 229/116.1, 104, 904

3,765,594 * 10/1973 Cramphorn 229/106
3,929,222 * 12/1975 Smith et al. 206/783
3,964,606 6/1976 Hogg et al. .
5,061,501 10/1991 Lowe .

FOREIGN PATENT DOCUMENTS

56786 8/1986 (CA) .
86031 2/1999 (CA) .

* cited by examiner

Primary Examiner—Ted Shooman

Assistant Examiner—Carol Rademaker

(74) *Attorney, Agent, or Firm*—Wolf, Greenfield & Sacks, P.C.

(57) **CLAIM**

The ornamental design for a cigarette pack container, as shown and described.

(56) **References Cited**

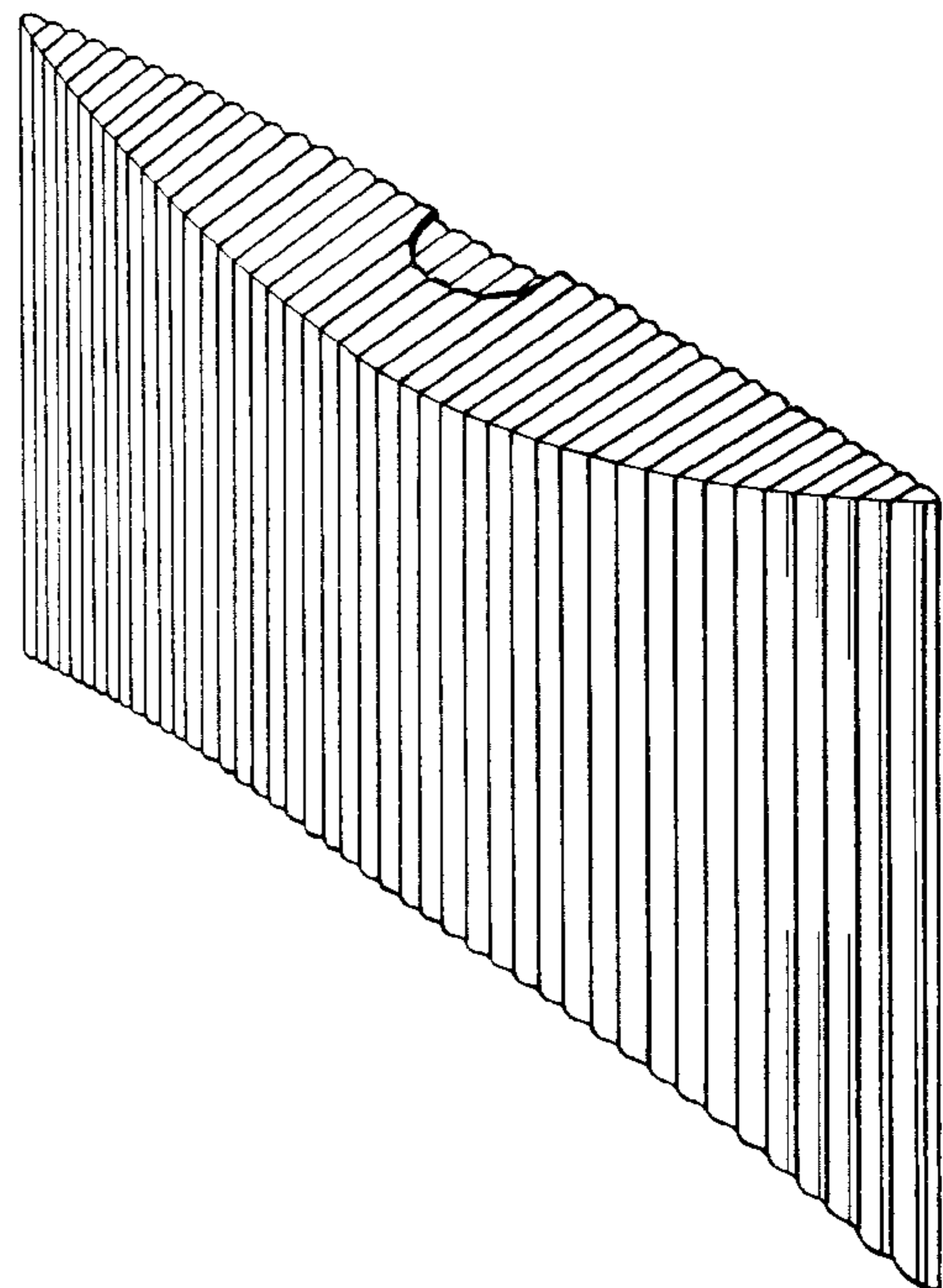
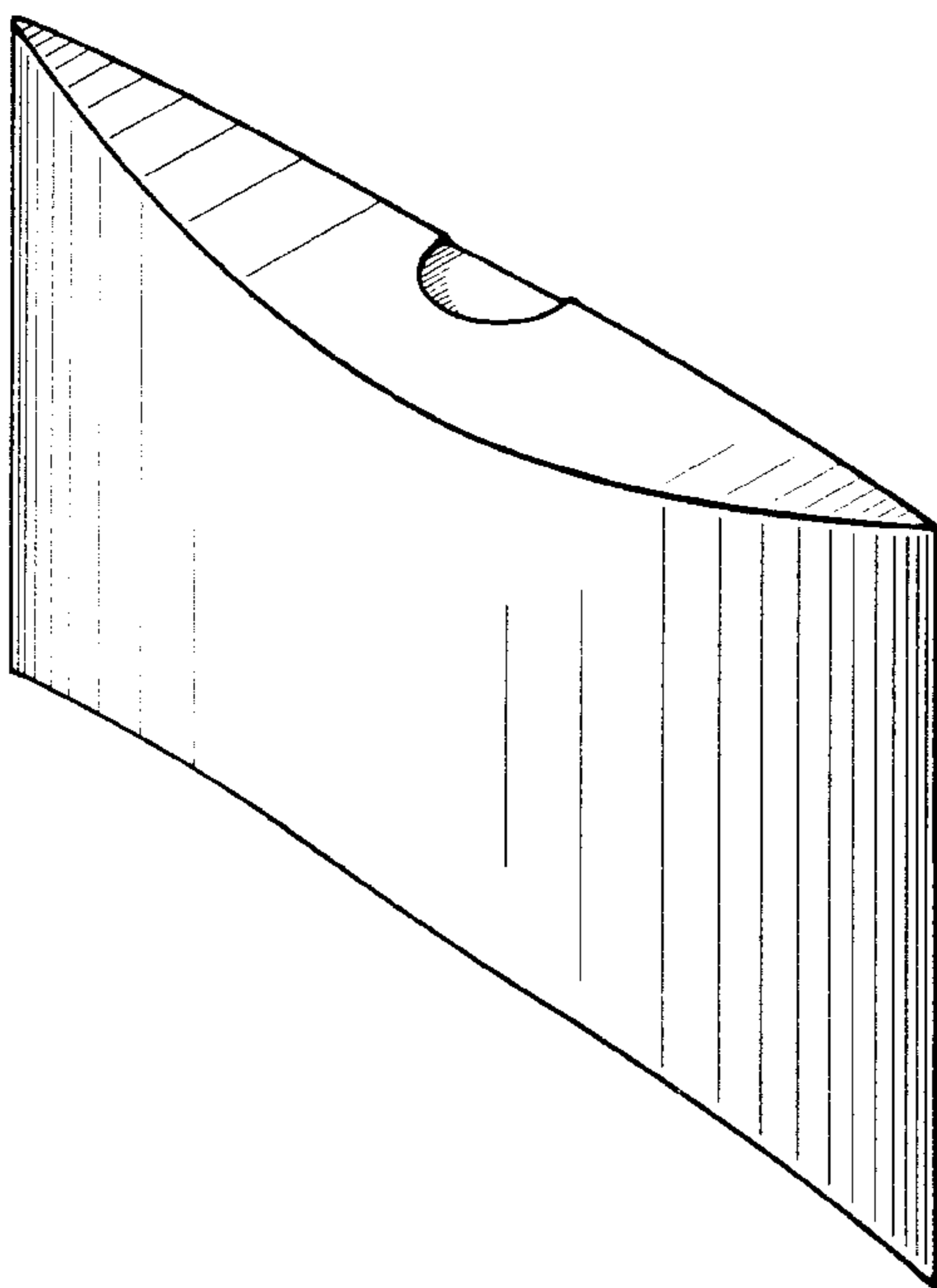
U.S. PATENT DOCUMENTS

D. 202,920 11/1965 Muesing .
D. 235,314 * 6/1975 Cramphorn D9/431
D. 303,500 9/1989 Colla .
359,435 * 3/1887 Elliott 229/128
D. 394,385 5/1998 Laughlin .
1,096,909 5/1914 Harvey .
2,964,227 * 12/1960 Goldsholl 229/128
2,966,293 * 12/1960 Goldsholl 229/117.01
3,010,571 * 11/1961 Transport D9/433
3,089,590 * 5/1963 Mell 206/822
3,343,743 * 9/1967 Hamilton, Jr. et al. 229/117.24
3,637,130 * 1/1972 Farquhar 229/243
3,682,298 * 8/1972 Guillerm 206/769

DESCRIPTION

FIG. 1 is a perspective view of the container as seen from the front, above and the right side;
FIG. 2 is a rear elevation thereof;
FIG. 3 is a right side elevation thereof;
FIG. 4 is a top plan view thereof;
FIG. 5 is an bottom plan view thereof; and,
FIG. 6 is a perspective view corresponding to FIG. 1 showing a second embodiment of the cigarette pack container having a surface corrugated appearance.
The bottom and rear of the cigarette pack container of Embodiment 2 forms no part of the claimed design.

1 Claim, 3 Drawing Sheets



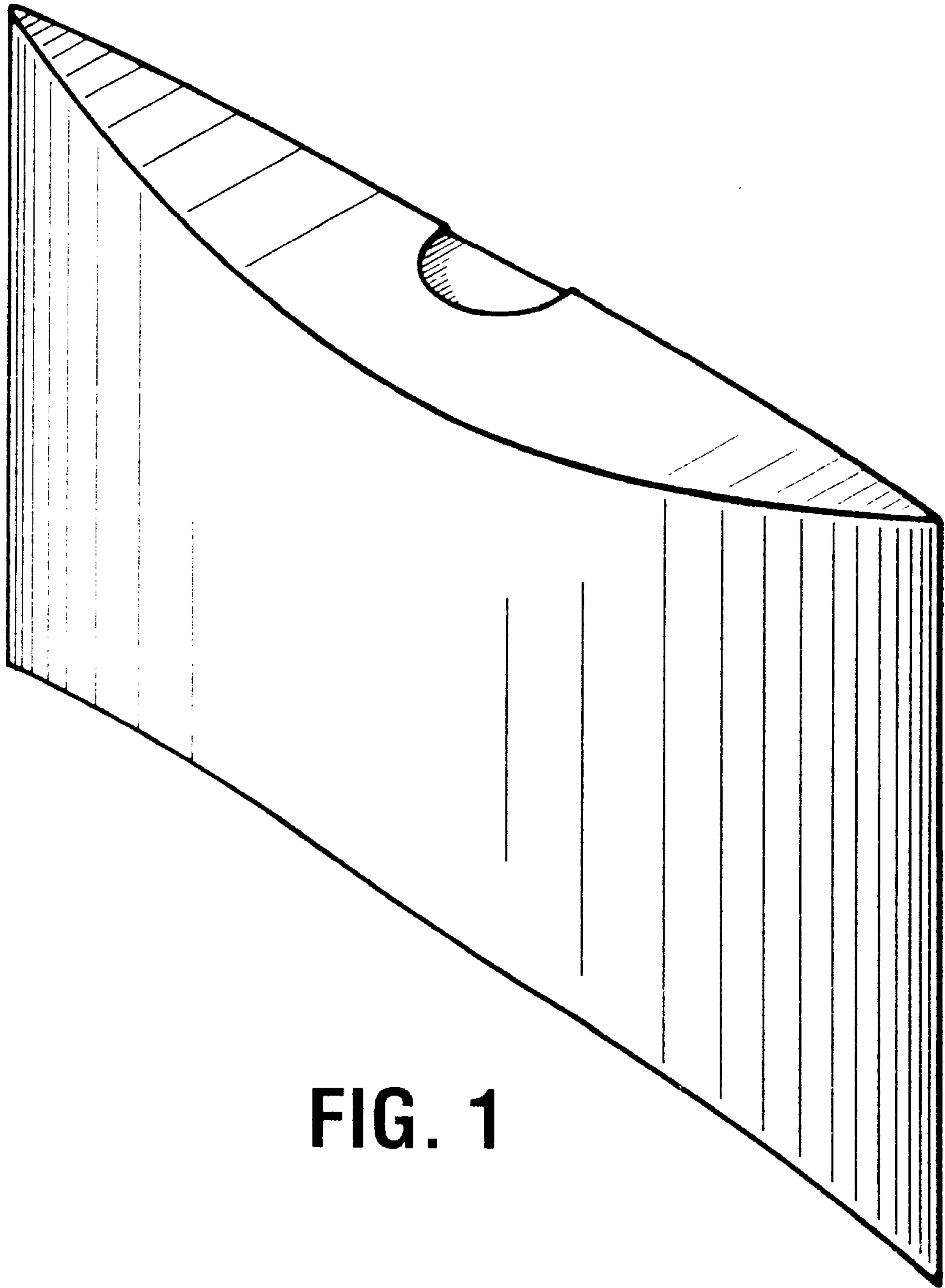


FIG. 1

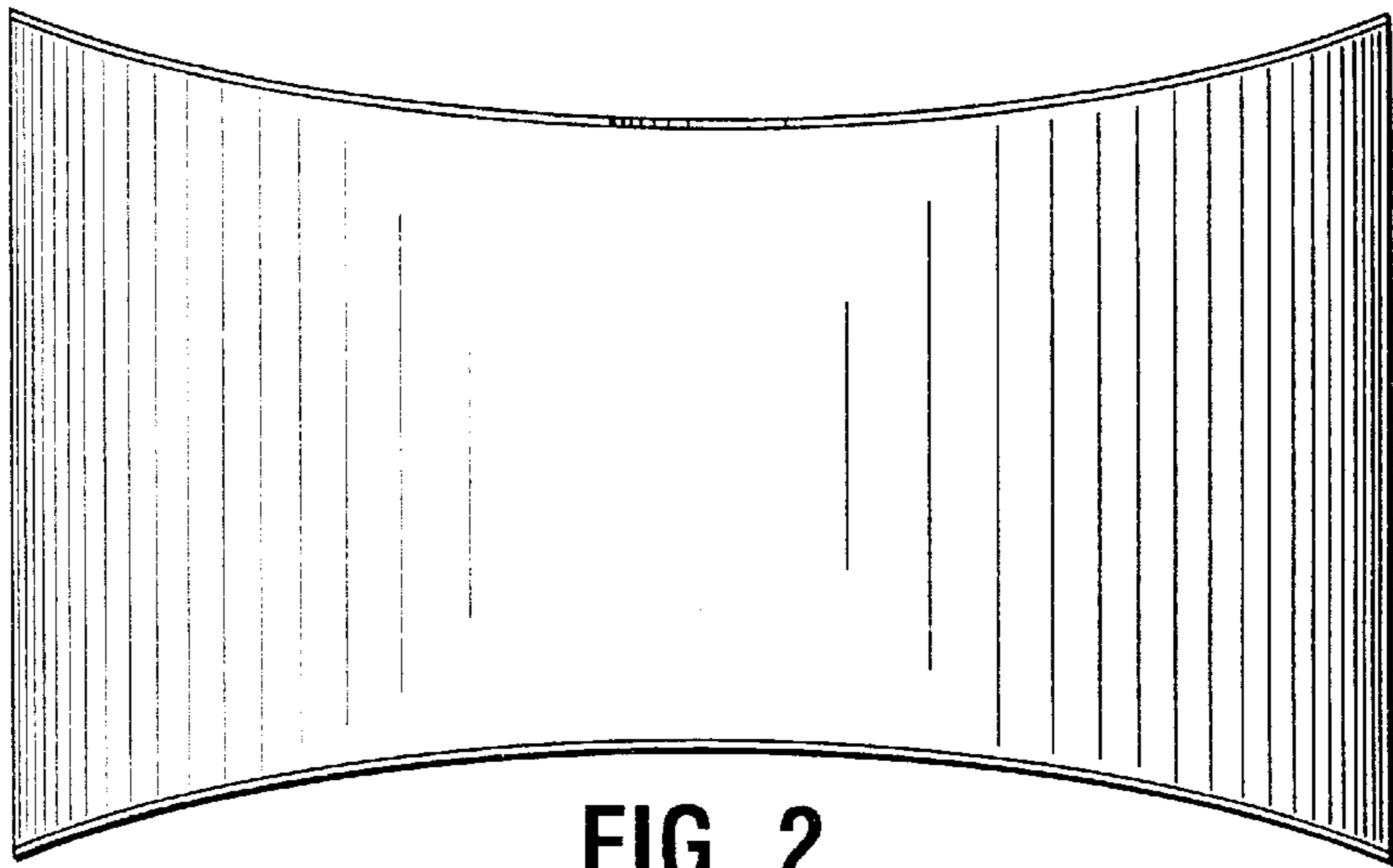


FIG. 2

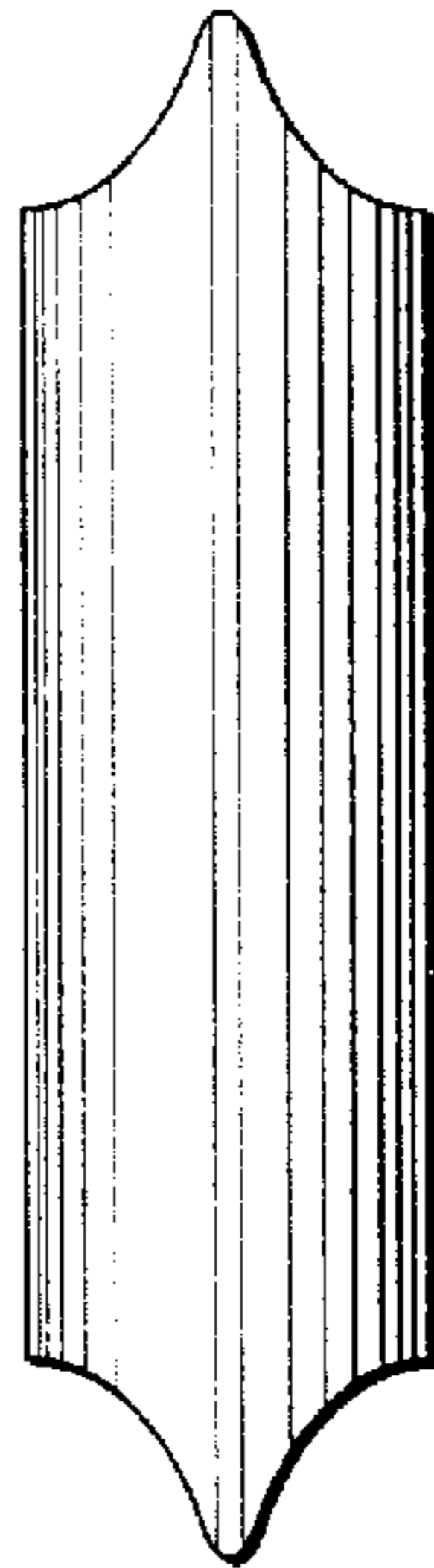


FIG. 3

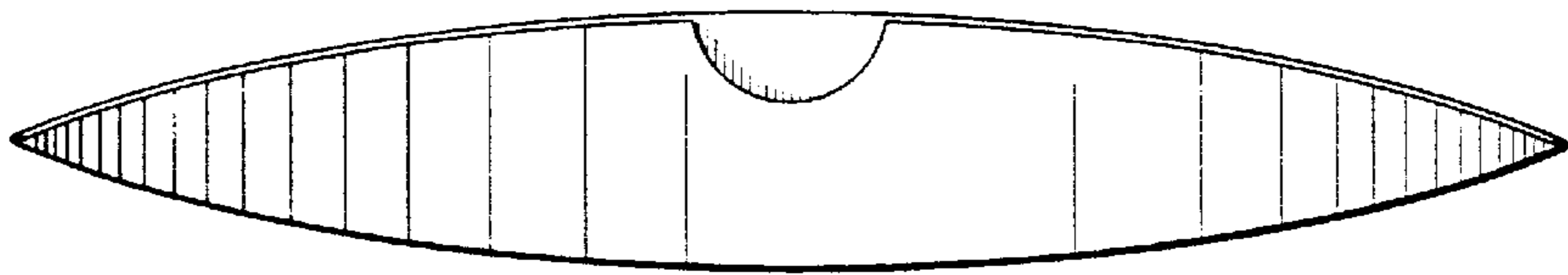


FIG. 4

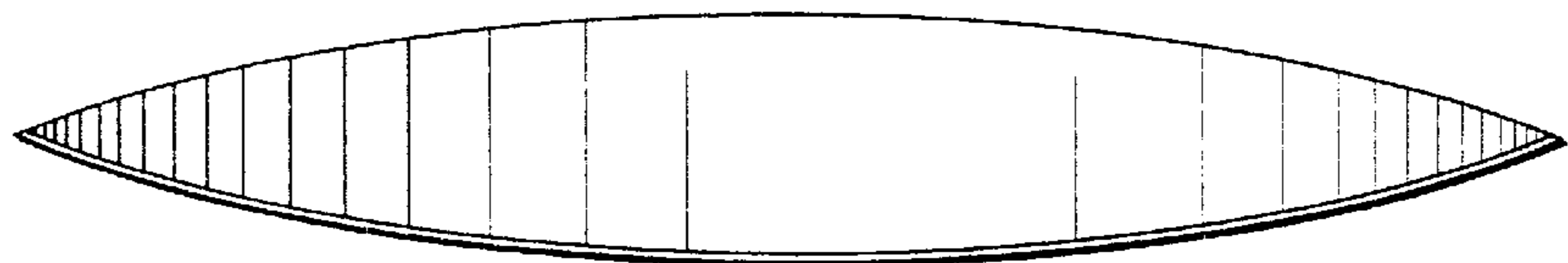


FIG. 5

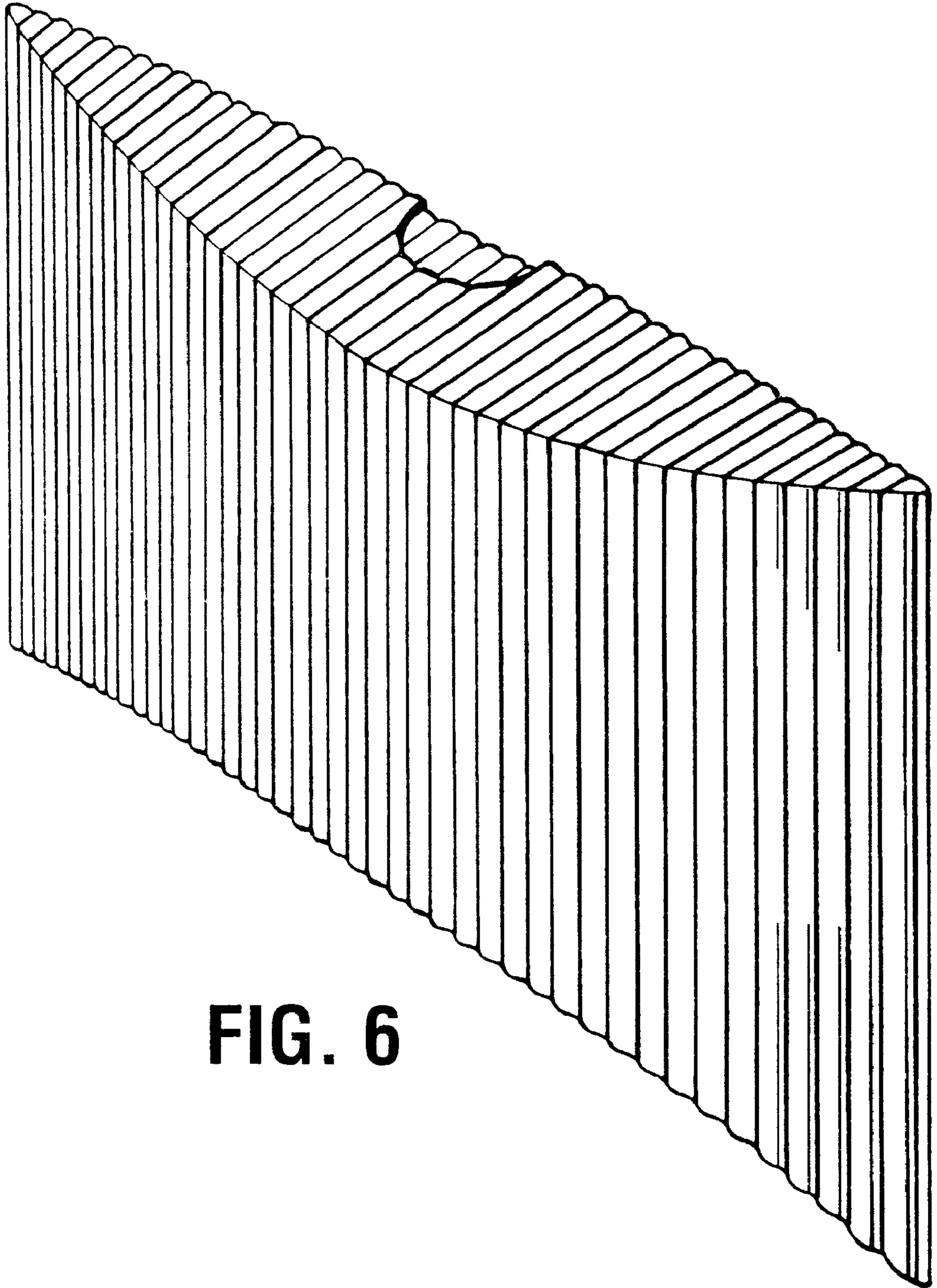


FIG. 6