



US00D438094S

(12) **United States Design Patent**
Ishii

(10) **Patent No.:** **US D438,094 S**

(45) **Date of Patent:** **** Feb. 27, 2001**

(54) **END COVER FOR STRINGS**

(75) Inventor: **Yosuke Ishii, Kawanishi (JP)**

(73) Assignee: **Nifco Inc., Yokohama (JP)**

(**) Term: **14 Years**

(21) Appl. No.: **29/113,471**

(22) Filed: **Nov. 8, 1999**

(30) **Foreign Application Priority Data**

May 17, 1999 (JP) 11-12544

(51) **LOC (7) Cl.** **08-08**

(52) **U.S. Cl.** **D8/396; D8/383**

(58) **Field of Search** **D8/394-396, 383;**
24/115 K, 115 H, 115 R, 132 R, 132 WL,
265 EC, 265 R; D19/65

(56) **References Cited**

U.S. PATENT DOCUMENTS

- D. 297,304 * 8/1988 Ito et al. D8/383
- D. 400,584 * 11/1998 Wolff D19/65
- 2,133,548 * 10/1938 Kreisler et al. .
- 5,504,977 * 4/1996 Weppner et al. 24/115 R
- 5,671,508 * 9/1997 Murai 24/115 K
- 5,836,061 * 11/1998 Castillo et al. 24/115 R

* cited by examiner

Primary Examiner—B. J. Bullock

(74) *Attorney, Agent, or Firm*—Kanesaka & Takeuchi

(57) **CLAIM**

The ornamental design for an end cover for strings, as shown and described.

DESCRIPTION

FIG. 1 is a front view of an end cover for strings showing my new design, the rear view being symmetrical to the front view;

FIG. 2 is a right side view thereof;

FIG. 3 is a left side view thereof;

FIG. 4 is a top plan view thereof;

FIG. 5 is a bottom plan view thereof;

FIG. 6 is a cross sectional view taken along line 6—6 in FIG. 4;

FIG. 7 is a cross sectional view taken along line 7—7 in FIG. 4;

FIG. 8 is a front view of the end cover for strings in an opened condition;

FIG. 9 is a top plan view of FIG. 8;

FIG. 10 is a bottom plan view of FIG. 8;

FIG. 11 is a right side view of FIG. 8;

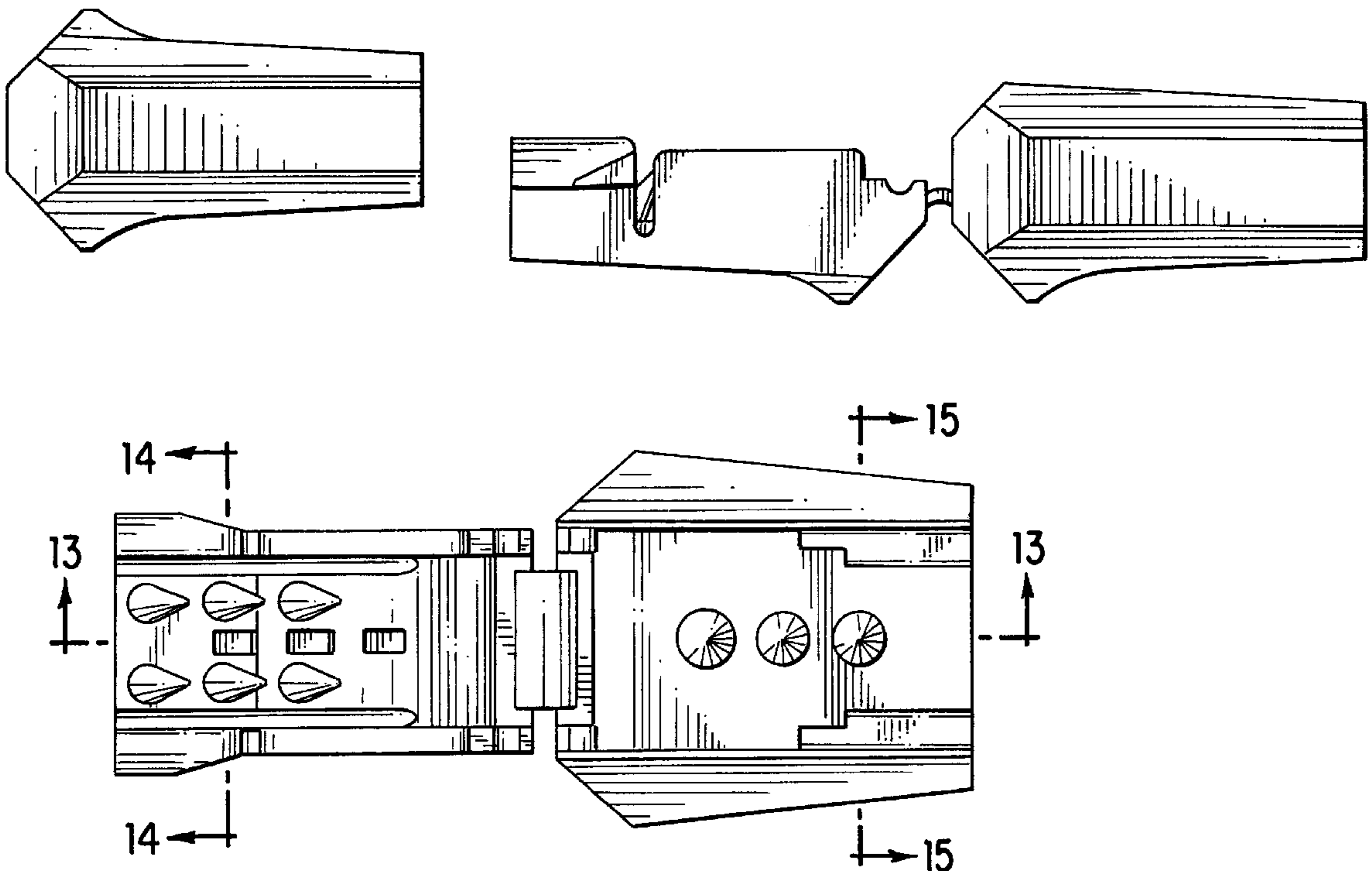
FIG. 12 is a left side view of FIG. 8;

FIG. 13 is a cross sectional view taken along line 13—13 in FIG. 9;

FIG. 14 is a cross sectional view taken along line 14—14 in FIG. 9; and,

FIG. 15 is a cross sectional view taken along line 15—15 in FIG. 9.

1 Claim, 4 Drawing Sheets



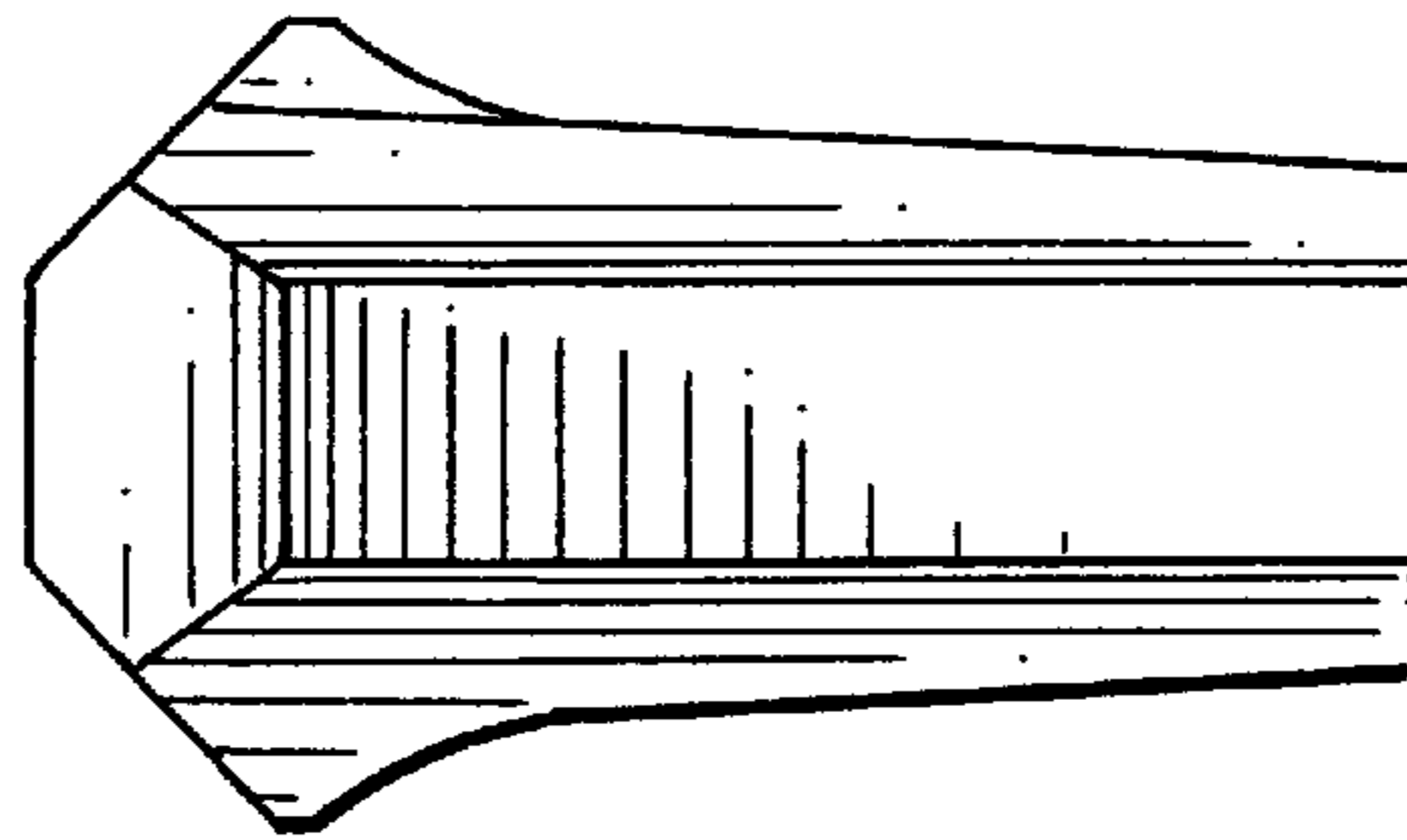


FIG. 1

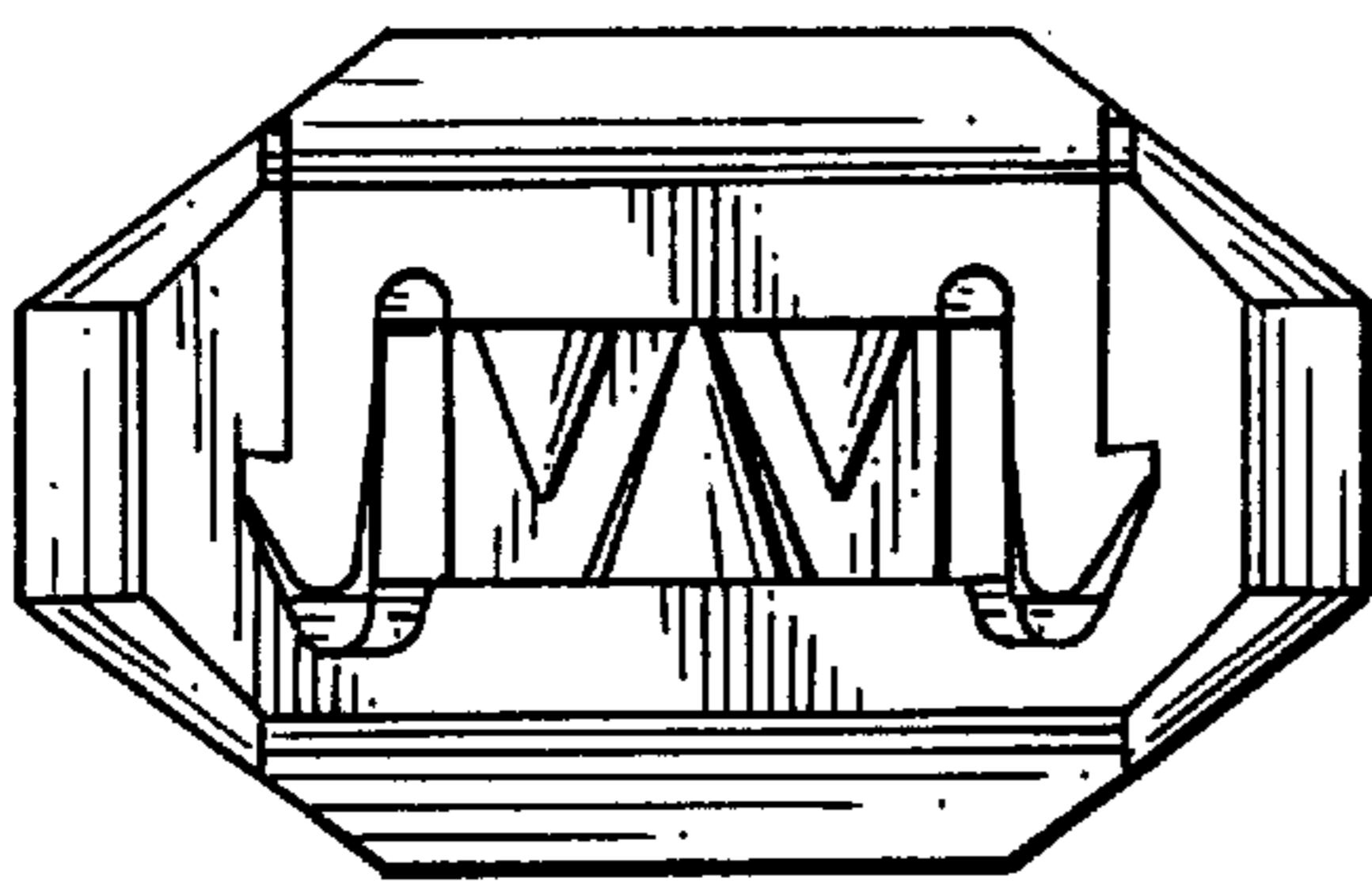


FIG. 2

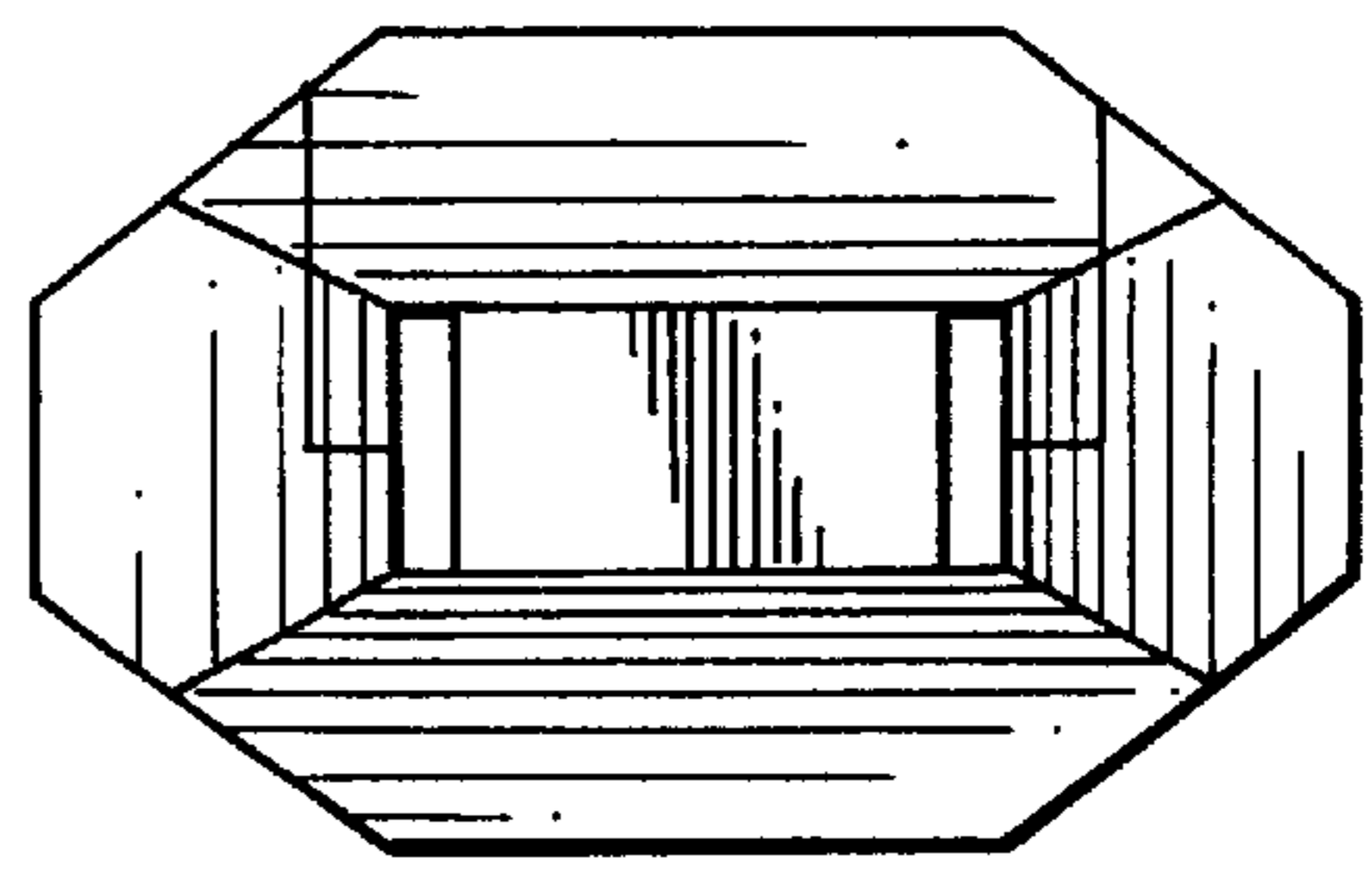


FIG. 3

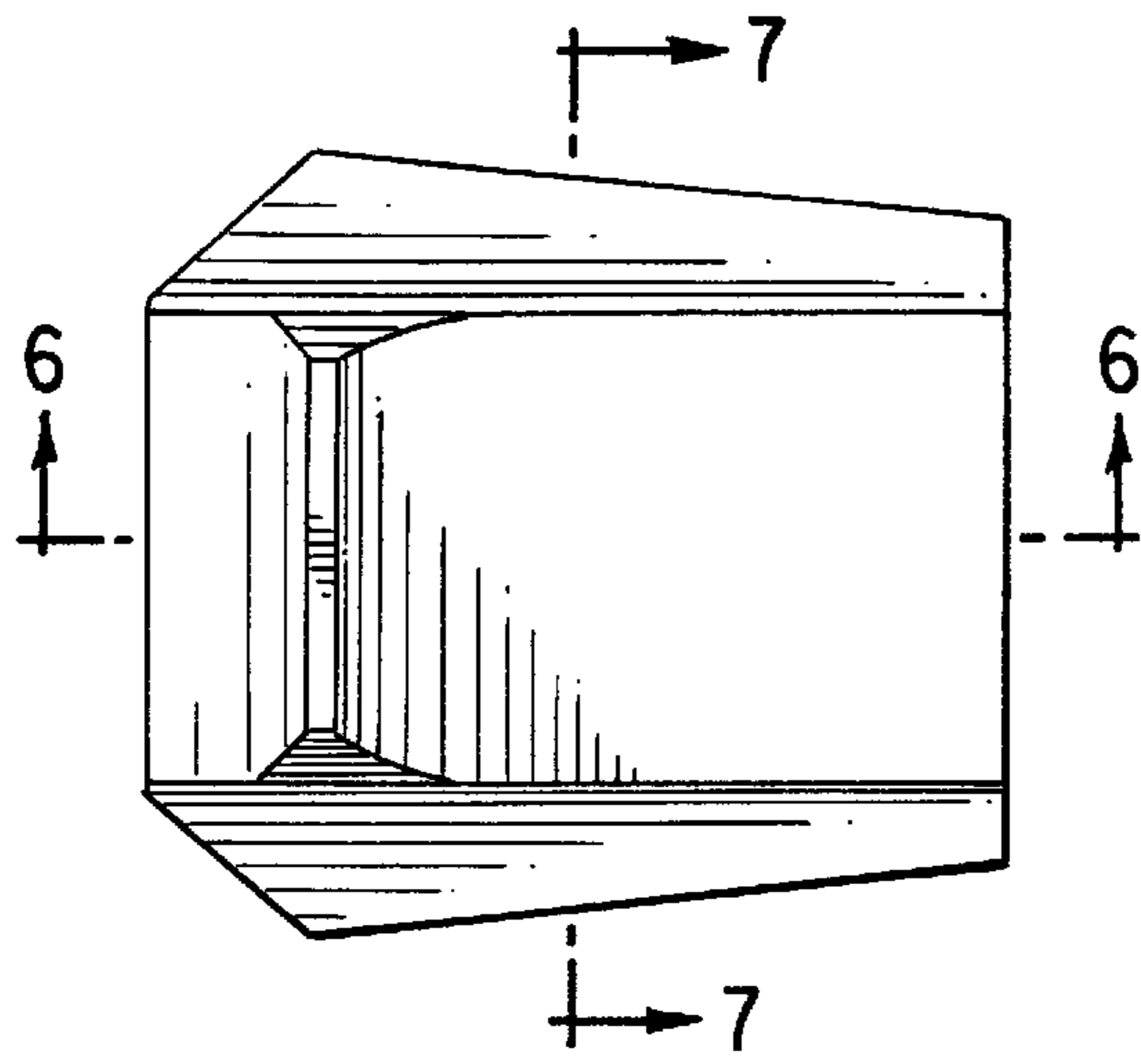


FIG. 4

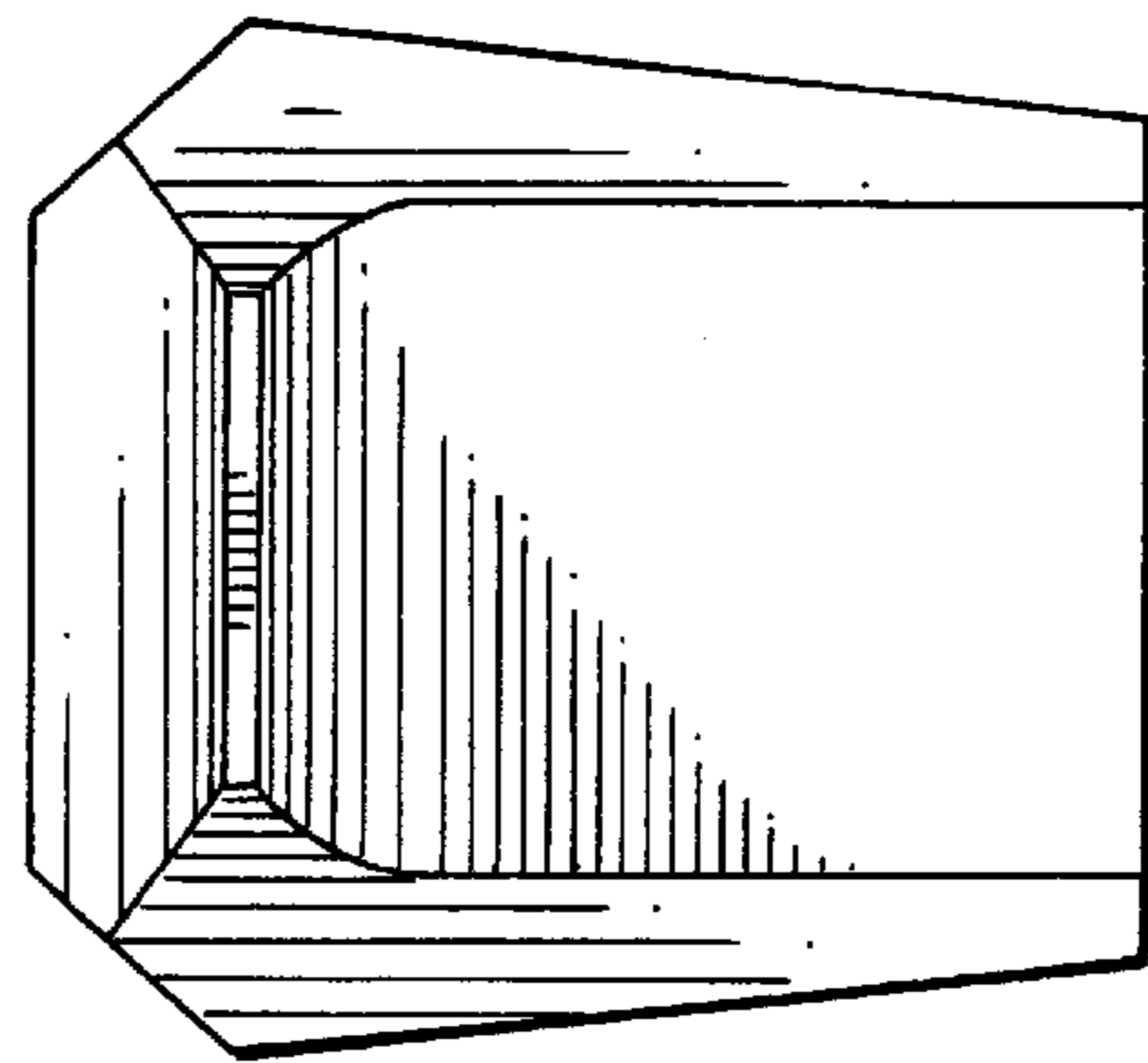


FIG. 5

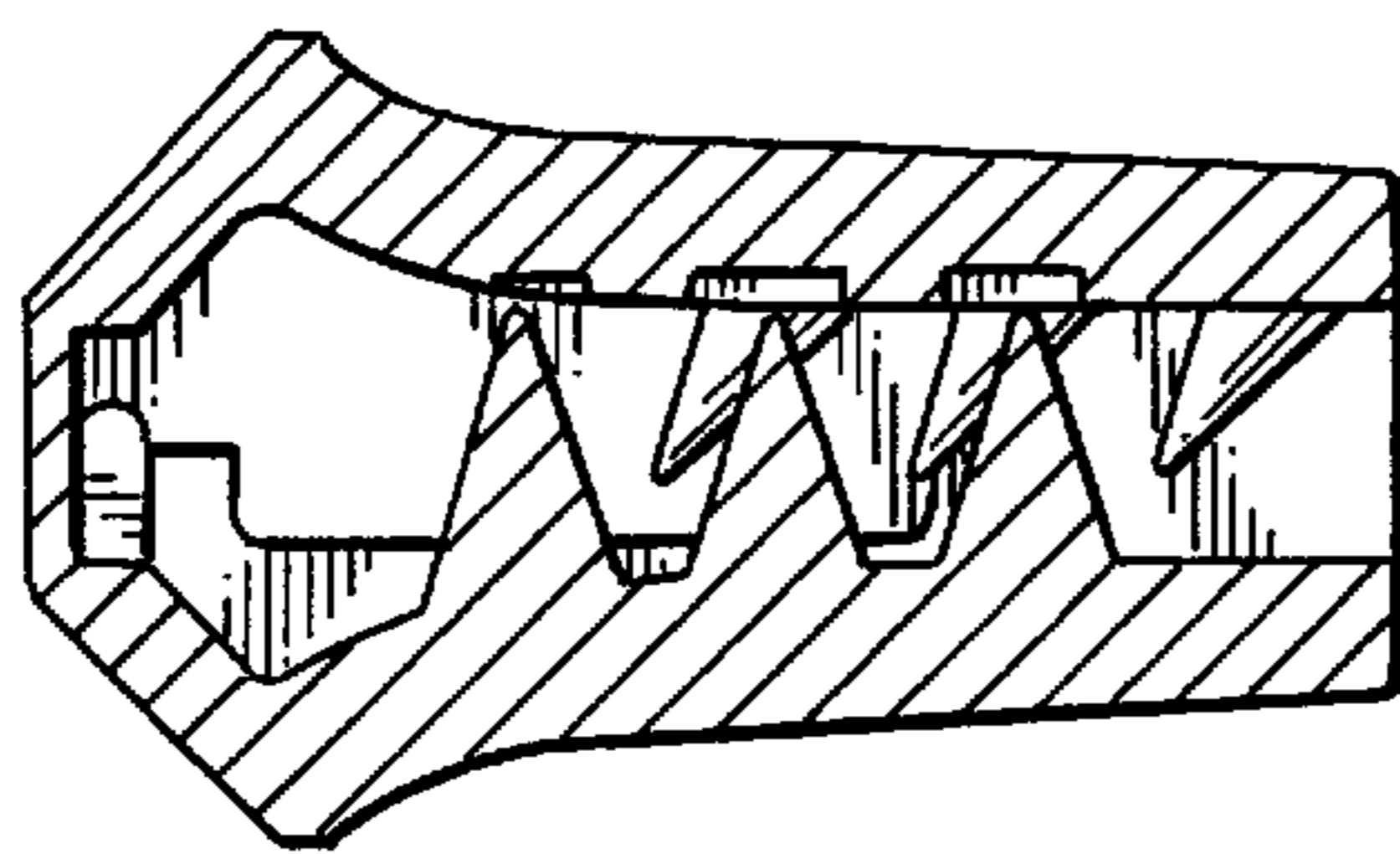


FIG. 6

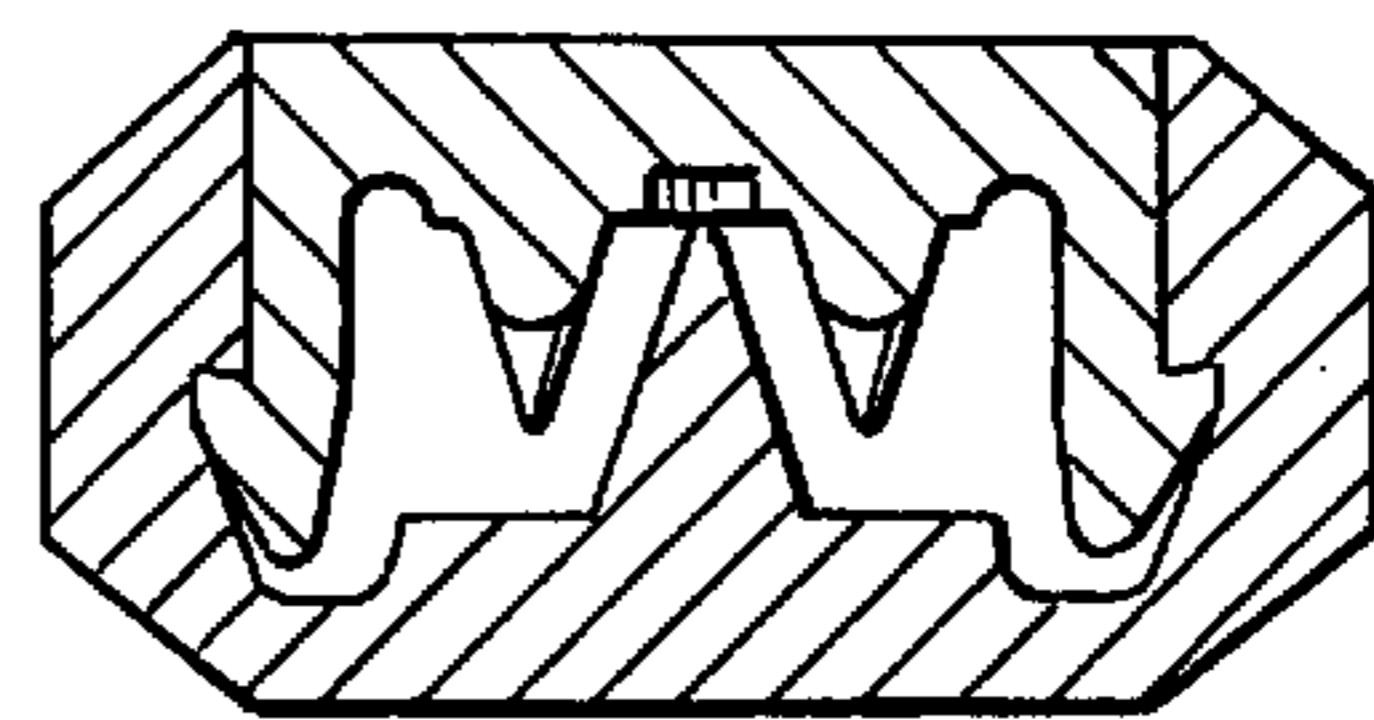


FIG. 7

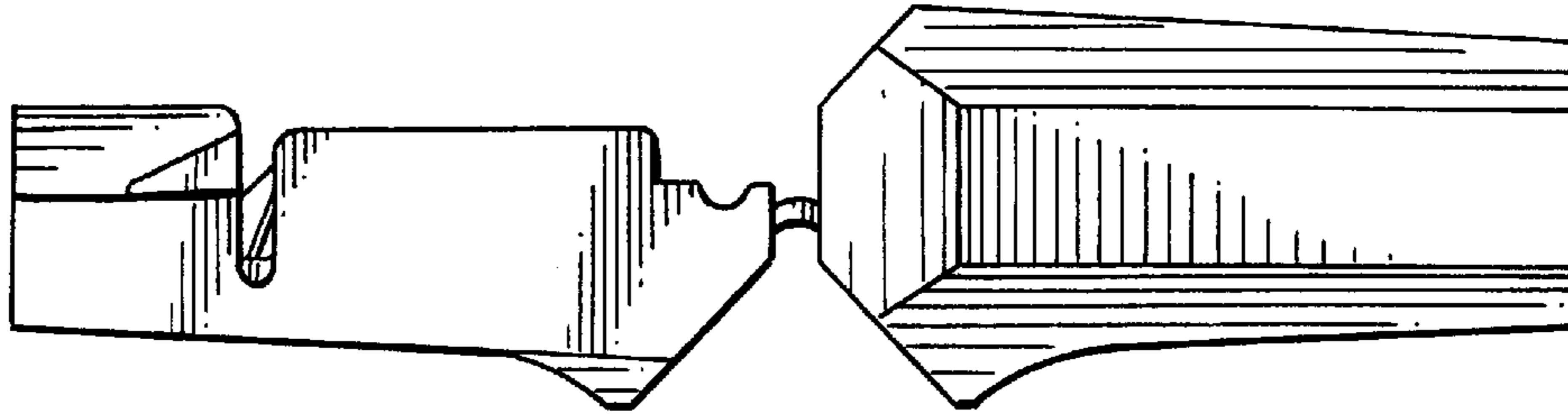


FIG. 8

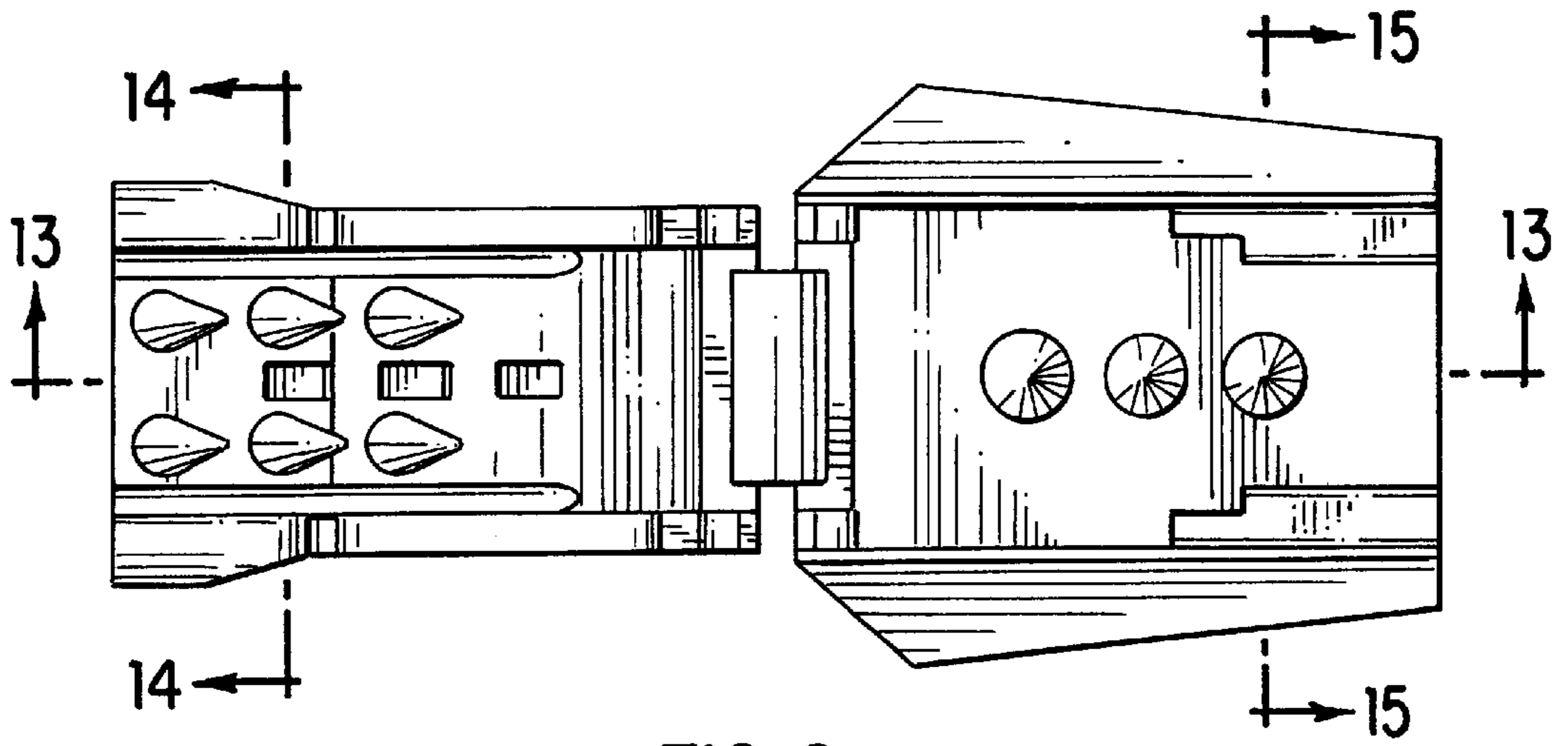


FIG. 9

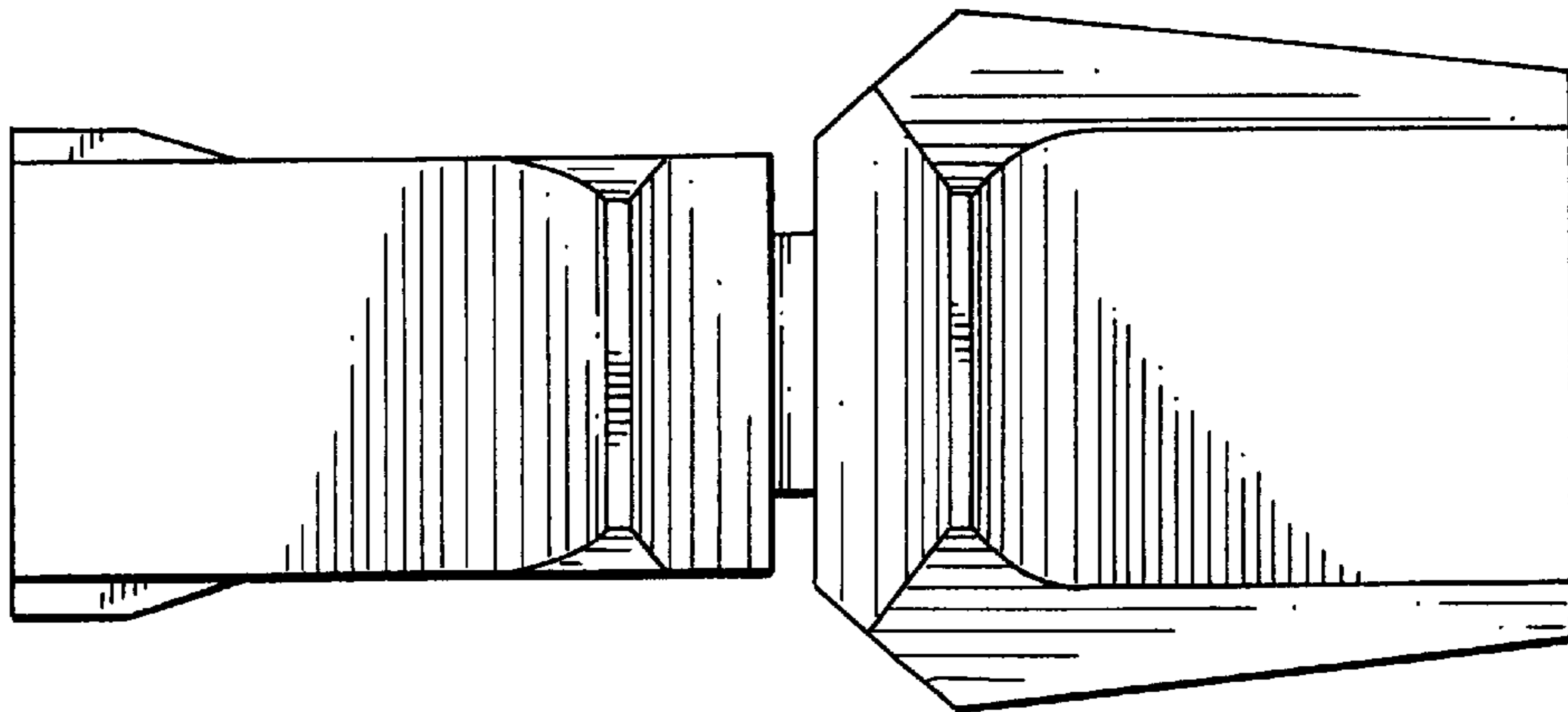


FIG. 10

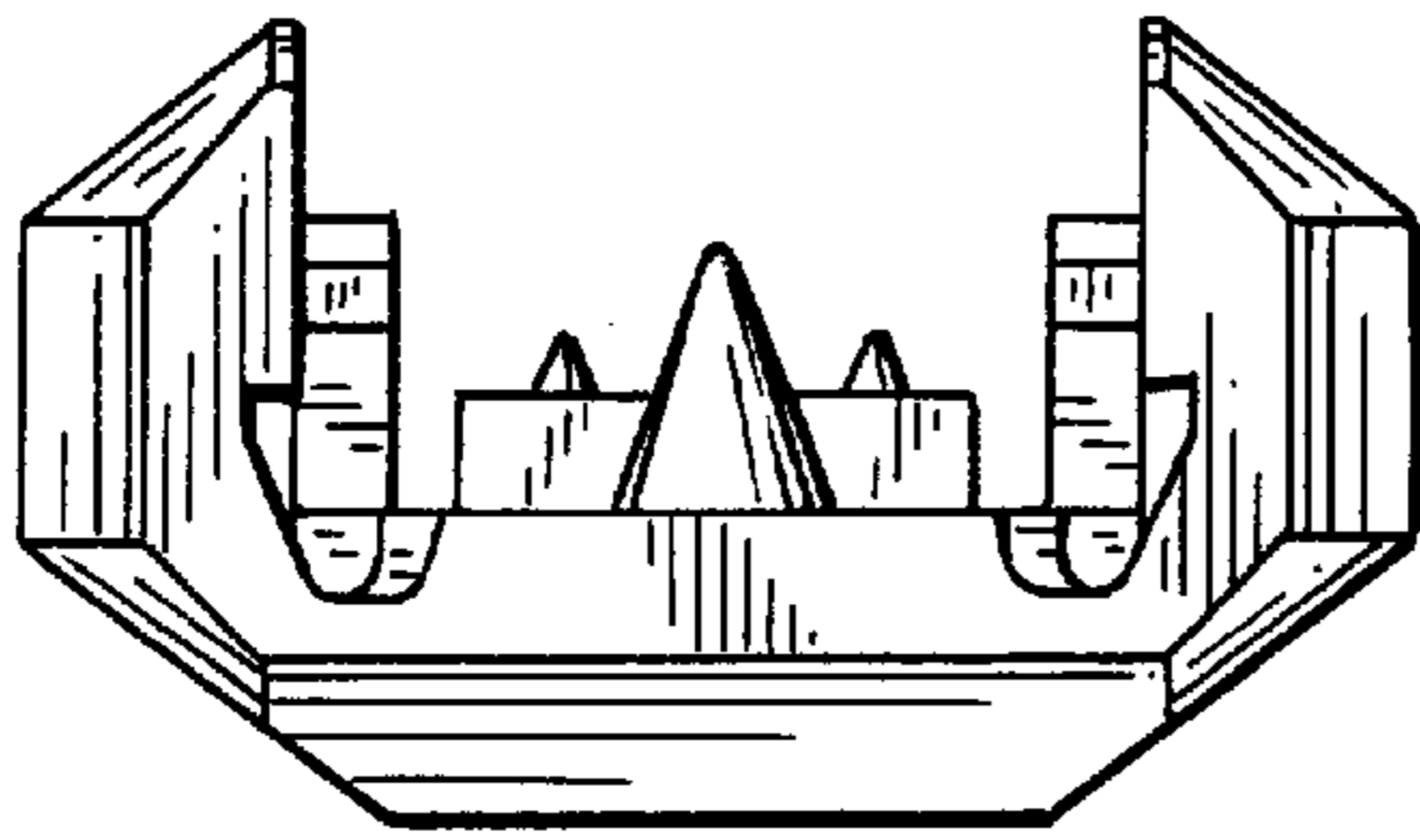


FIG. 11

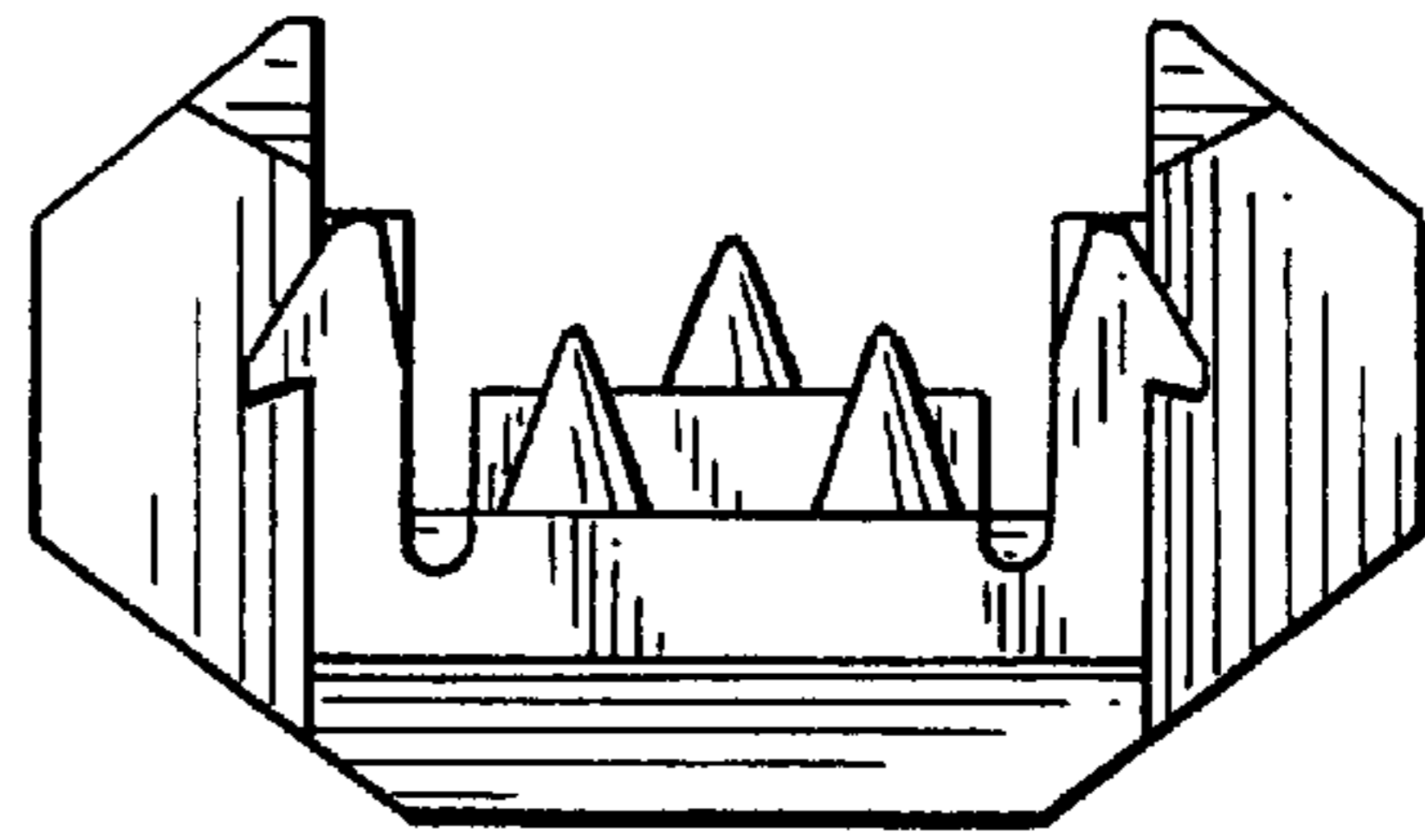


FIG. 12

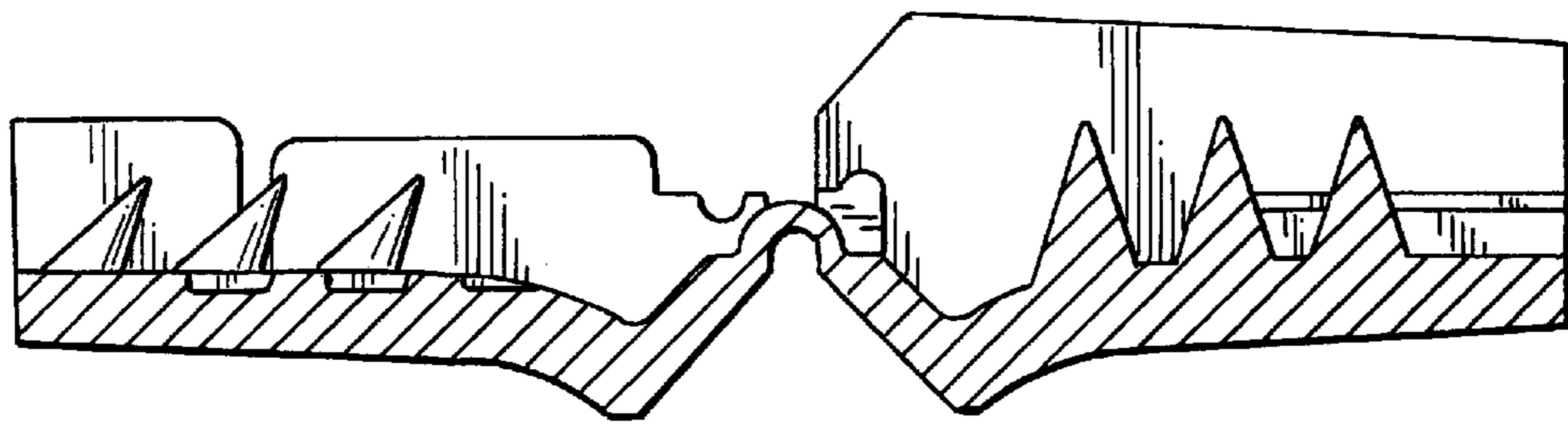


FIG. 13

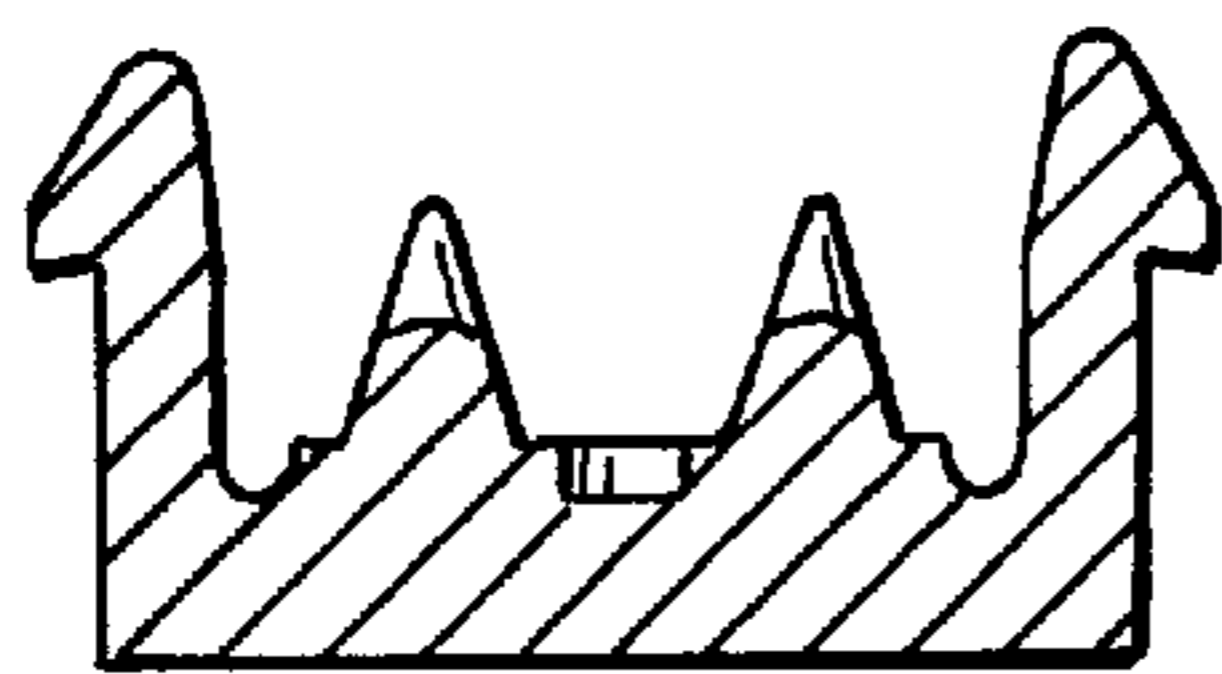


FIG. 14

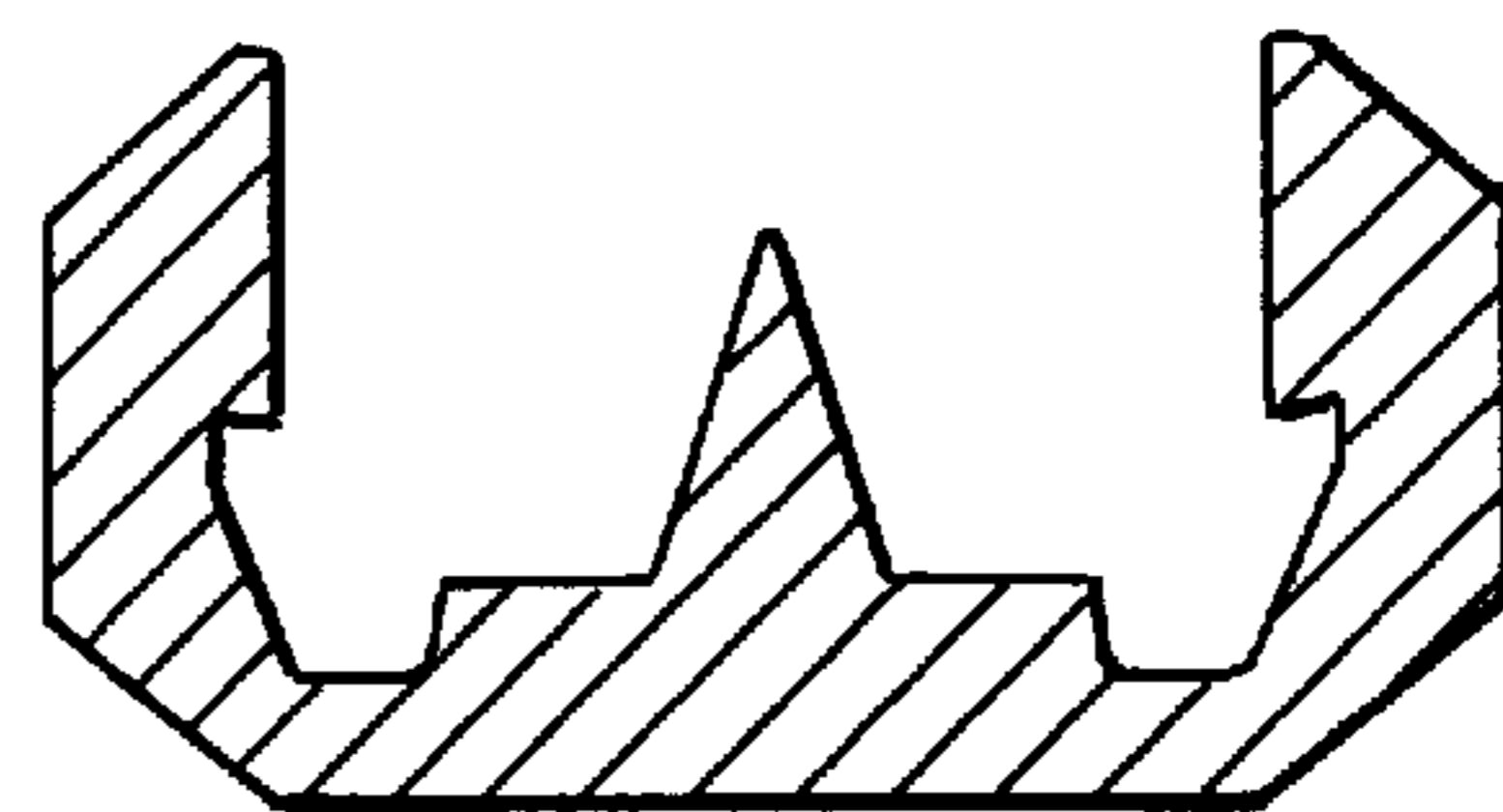


FIG. 15