



US00D438091S

(12) **United States Design Patent**
Davis et al.

(10) **Patent No.:** **US D438,091 S**

(45) **Date of Patent:** **** Feb. 27, 2001**

(54) **EQUIPMENT BEZEL PLATE**

5,540,339 * 7/1996 Lerman 211/26

(75) Inventors: **Brooks Davis**, Riverside; **John Hervey**,
San Jose, both of CA (US)

* cited by examiner

Primary Examiner—Holly Baynham

(73) Assignee: **Avcom Technologies, Inc.**, Sunnyvale,
CA (US)

(74) *Attorney, Agent, or Firm*—Morrison & Foerster LLP

(**) Term: **14 Years**

(57) **CLAIM**

The ornamental design for the equipment bezel plate, as shown and described.

(21) Appl. No.: **29/102,716**

DESCRIPTION

(22) Filed: **Mar. 25, 1999**

(51) **LOC (7) Cl.** **08-05**

(52) **U.S. Cl.** **D8/349**

(58) **Field of Search** D8/349, 354; D14/224;
D13/154; 248/27.1, 906; 211/26

FIG. 1 is a right perspective view of an equipment bezel plate showing our new design;

FIG. 2 is a front elevational view of our new design;

FIG. 3 is a rear elevational view of our new design;

FIG. 4 is a top elevational view of our new design;

FIG. 5 is a bottom elevational view of our new design;

FIG. 6 is a right elevational view of our new design;

FIG. 7 is a left elevational view of our new design; and,

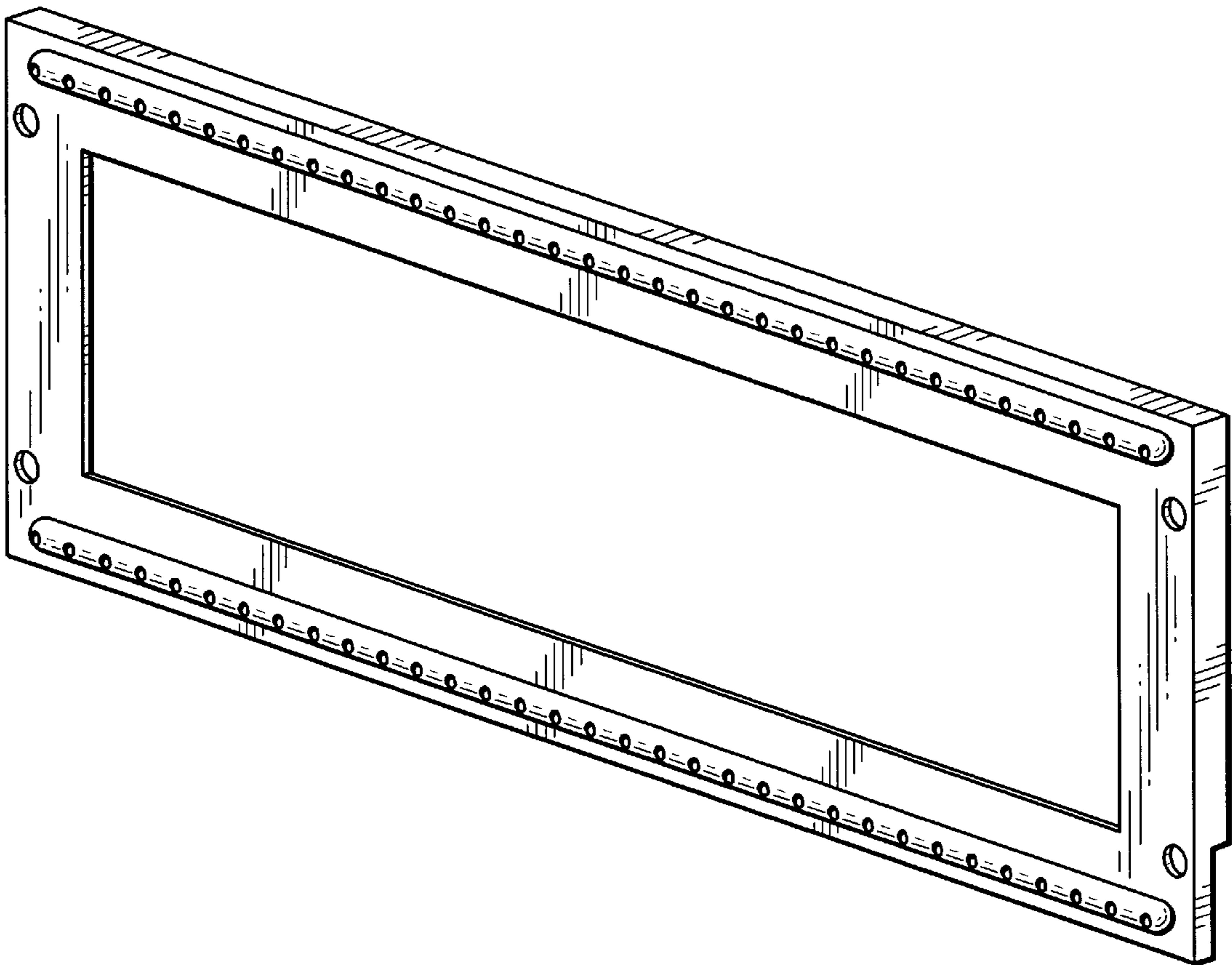
FIG. 8 is a right perspective view of an equipment bezel plate showing our new design applied to an electronic equipment enclosure. The equipment enclosure is shown in broken lines for illustrative purposes only and forms no part of the claimed design.

(56) **References Cited**

U.S. PATENT DOCUMENTS

- D. 374,810 * 10/1996 Keijser et al. D8/354
- D. 380,139 * 6/1997 Scott et al. D8/349
- D. 401,591 * 11/1998 Jones, Jr. et al. D14/224
- 4,274,330 * 6/1981 Witten et al. 248/27.1 X
- 4,403,271 * 9/1983 Flanigan et al. 248/27.1 X
- 5,330,137 * 7/1994 Oliva 248/27.1

1 Claim, 5 Drawing Sheets



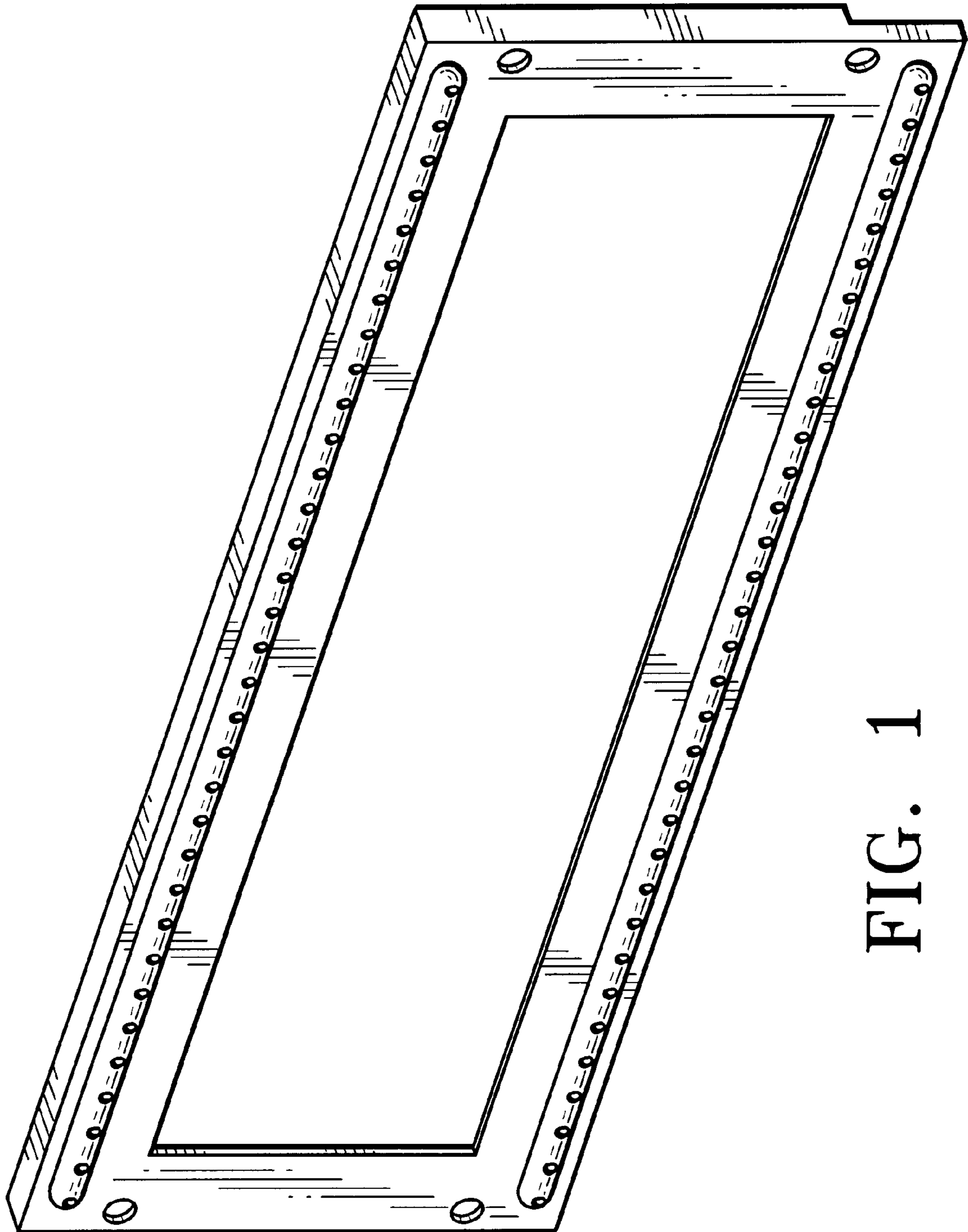


FIG. 1

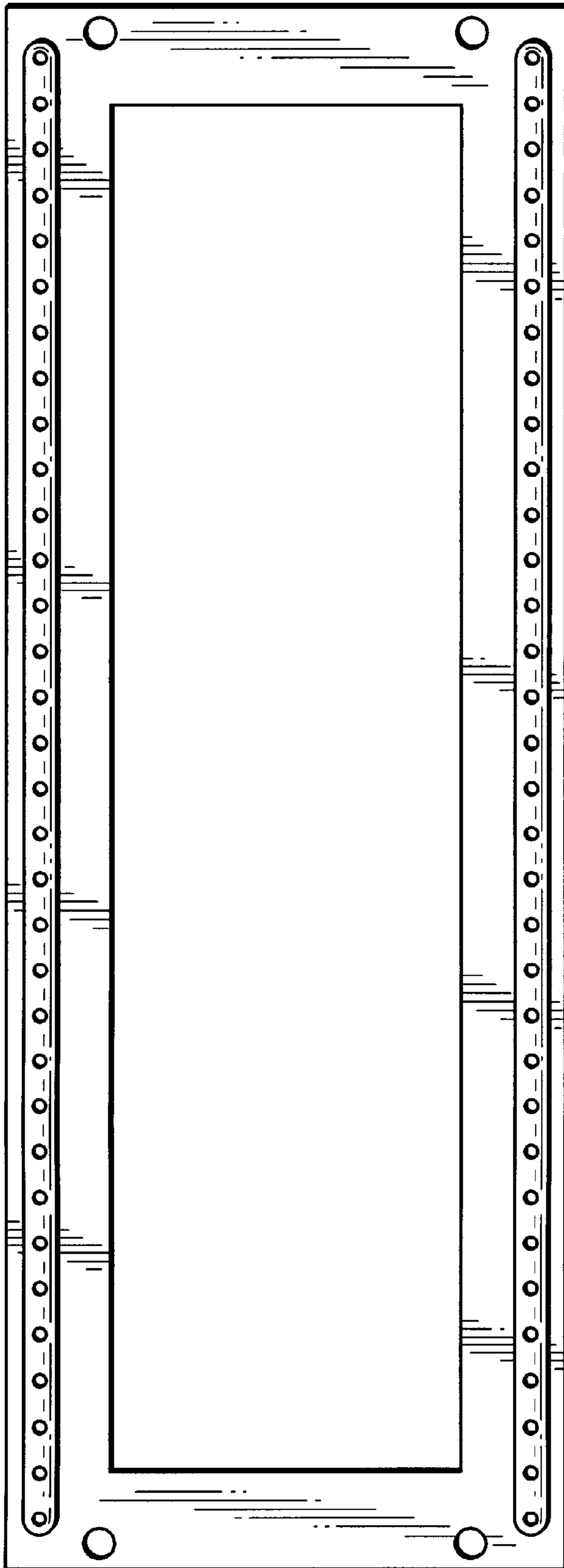


FIG. 2

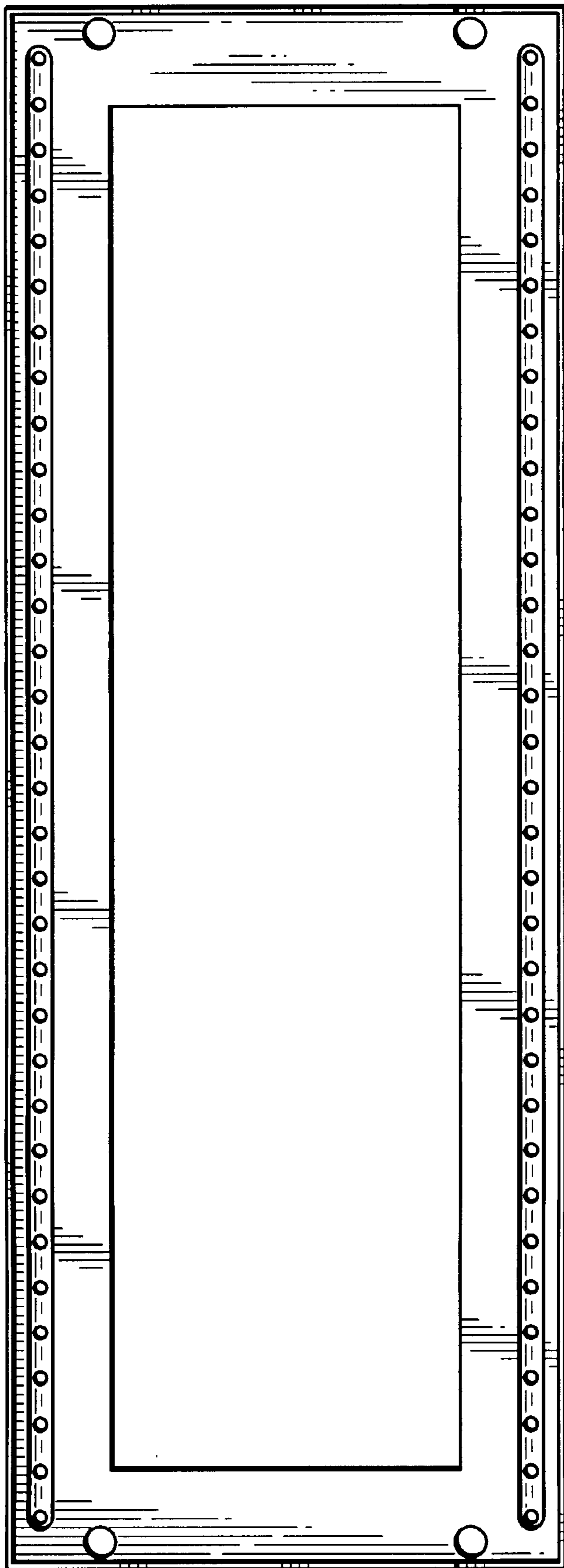


FIG. 3



FIG. 4



FIG. 5



FIG. 6

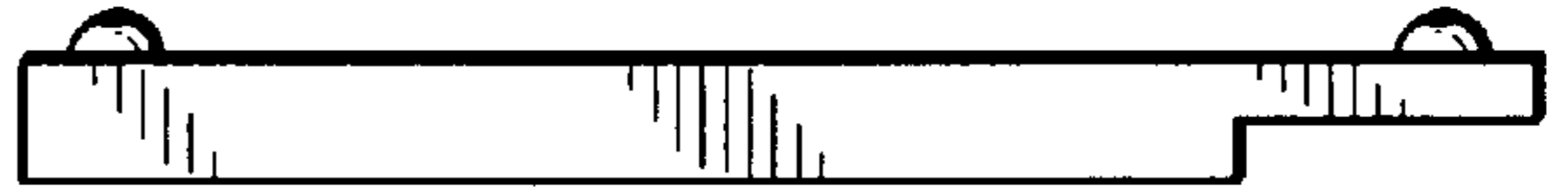


FIG. 7

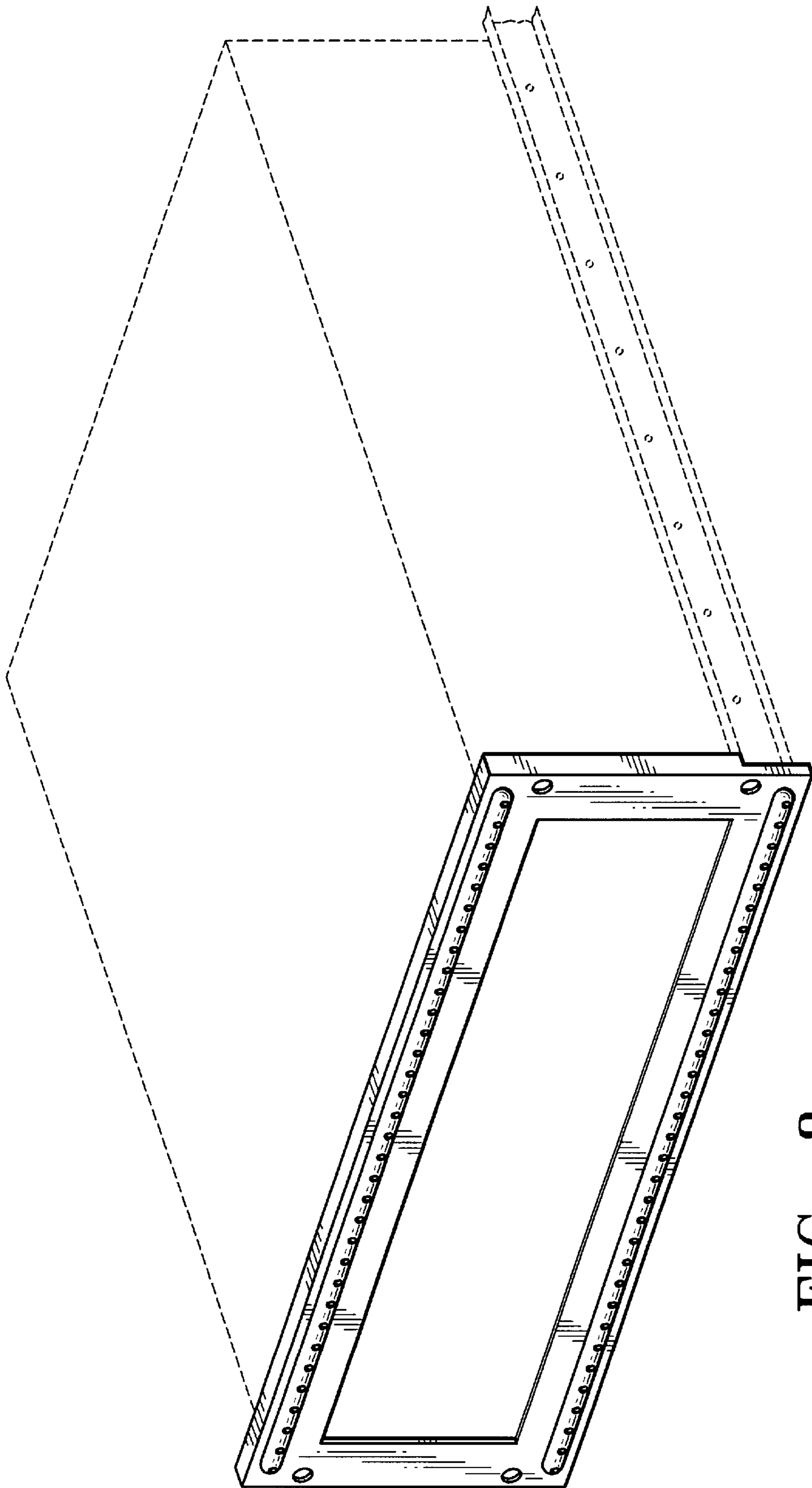


FIG. 8