



US00D438088S

(12) **United States Design Patent**
Tomlinson

(10) **Patent No.:** **US D438,088 S**

(45) **Date of Patent:** **** Feb. 27, 2001**

(54) **DOOR CLOSER COVER**

“High Impact Cover,” Sargent Door Closers, May 1983.*

(75) Inventor: **Jason Tomlinson**, Seatonville, IL (US)

* cited by examiner

(73) Assignee: **Schlage Lock Company**, San Francisco, CA (US)

Primary Examiner—Susan J. Lucas

Assistant Examiner—Jennifer Rivard

(**) Term: **14 Years**

(74) *Attorney, Agent, or Firm*—Michael H. Minns

(21) Appl. No.: **29/112,437**

(57) **CLAIM**

(22) Filed: **Oct. 15, 1999**

The ornamental design for a door closer cover, as shown and described.

(51) **LOC (7) Cl.** **08-07**

(52) **U.S. Cl.** **D8/330**

(58) **Field of Search** D8/330; 49/199;
160/188, 189; 74/625; 16/49, 51, 66, 71

DESCRIPTION

(56) **References Cited**

U.S. PATENT DOCUMENTS

D. 416,779 * 11/1999 Trumpinski D8/330
D. 428,793 * 8/2000 Bruno D8/330

FIG. 1 is a perspective view of a door closer cover according to the present invention;

FIG. 2 is a front view of a door closer cover according to the present invention;

FIG. 3 is a bottom view of a door closer cover according to the present invention;

FIG. 4 is a top view of a door closer cover according to the present invention; and,

FIG. 5 is a right side view of a door closer cover, the left side being a mirror image.

FOREIGN PATENT DOCUMENTS

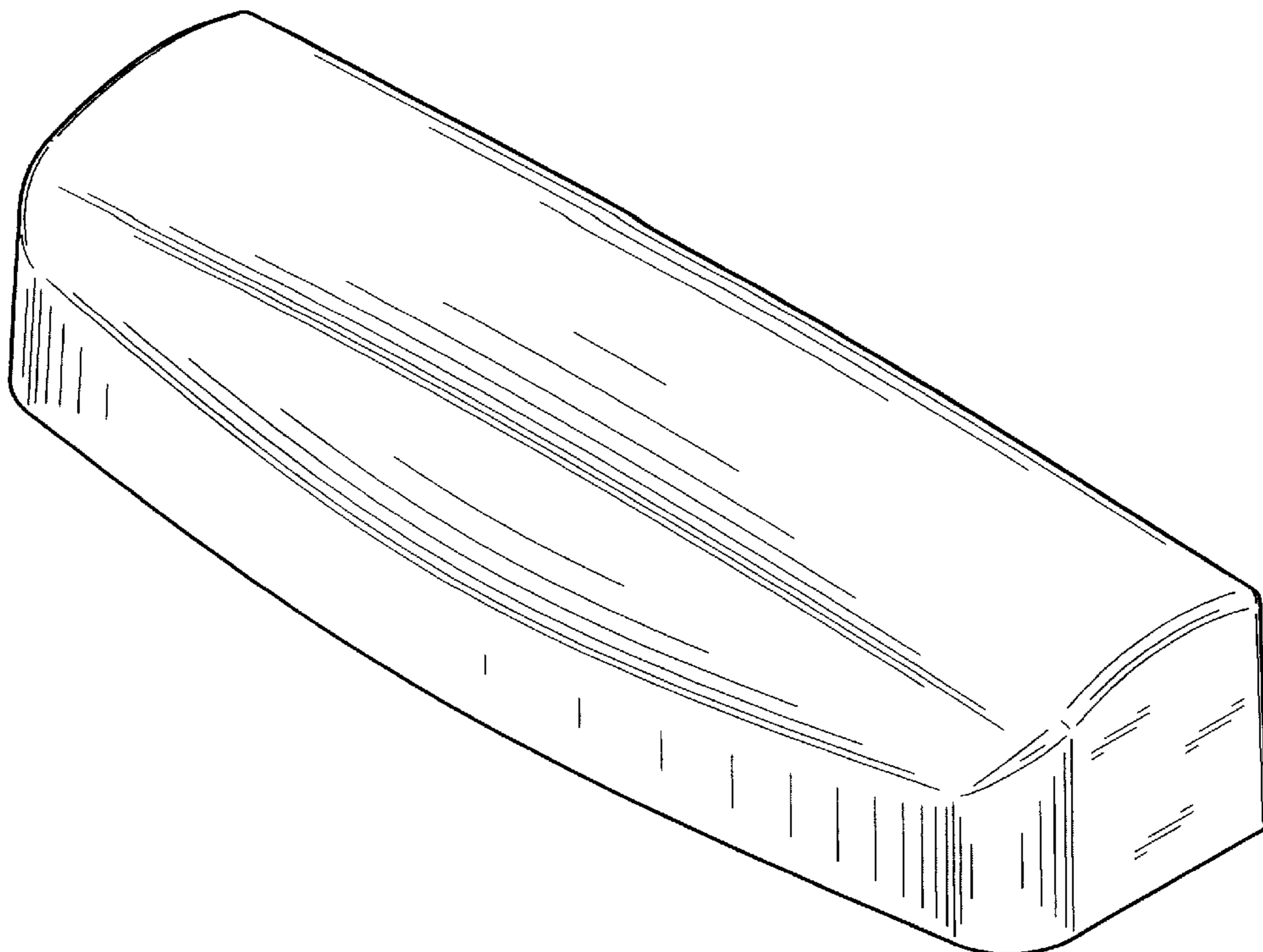
2073780 7/1998 (GB) .
2073781 9/1998 (GB) .
2080338 2/1999 (GB) .
2080339 2/1999 (GB) .
2083020 7/1999 (GB) .

The broken line disclosure is for illustrative purposes only and forms no part of the claimed design. The surface(s) or portion(s) of the article not shown in the drawing or described in the specification form(s) no part of the claimed design.

OTHER PUBLICATIONS

“Full Cover” 2810 and 2800 series, Russwin Door Closers, Mar. 1986.*

1 Claim, 2 Drawing Sheets



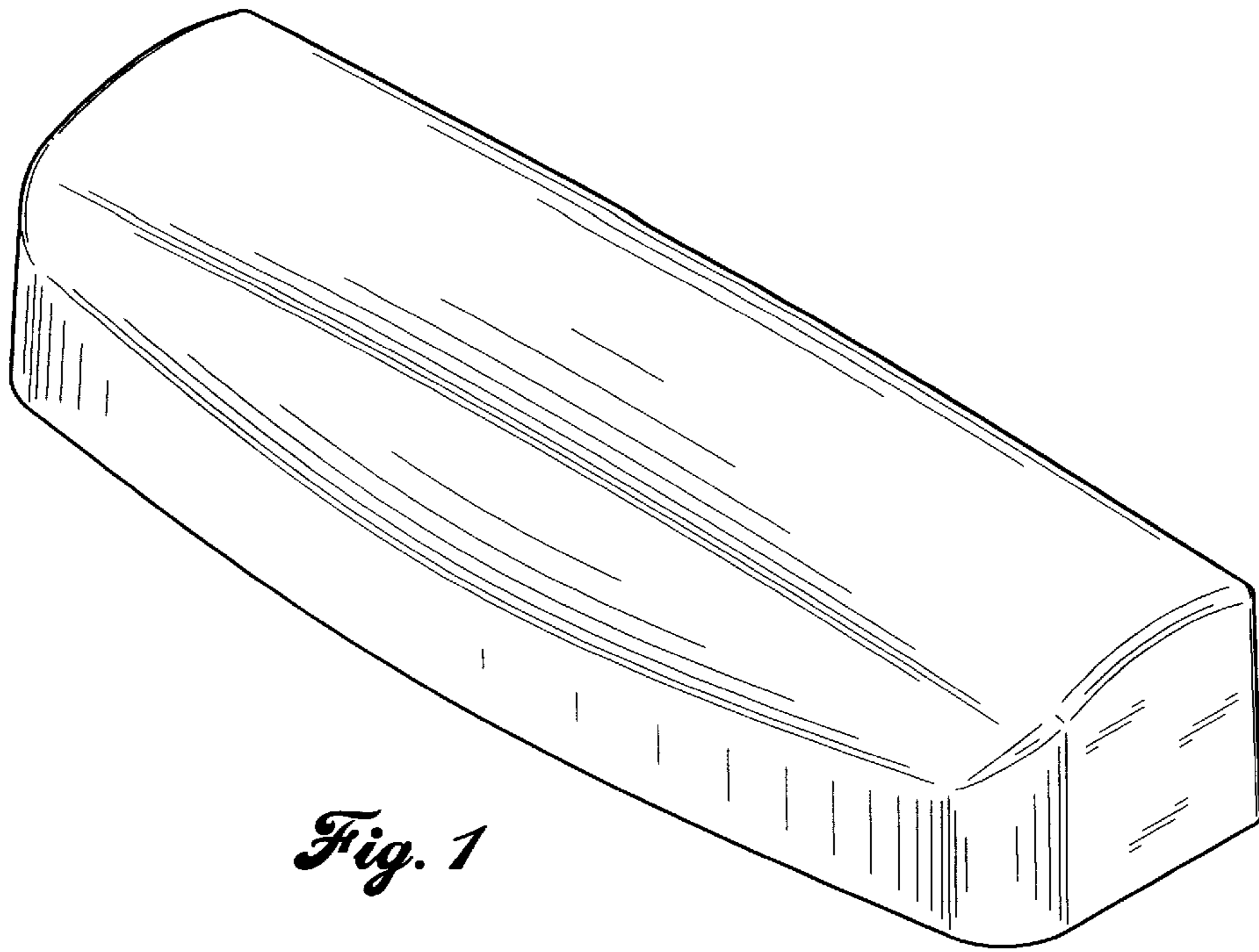


Fig. 1

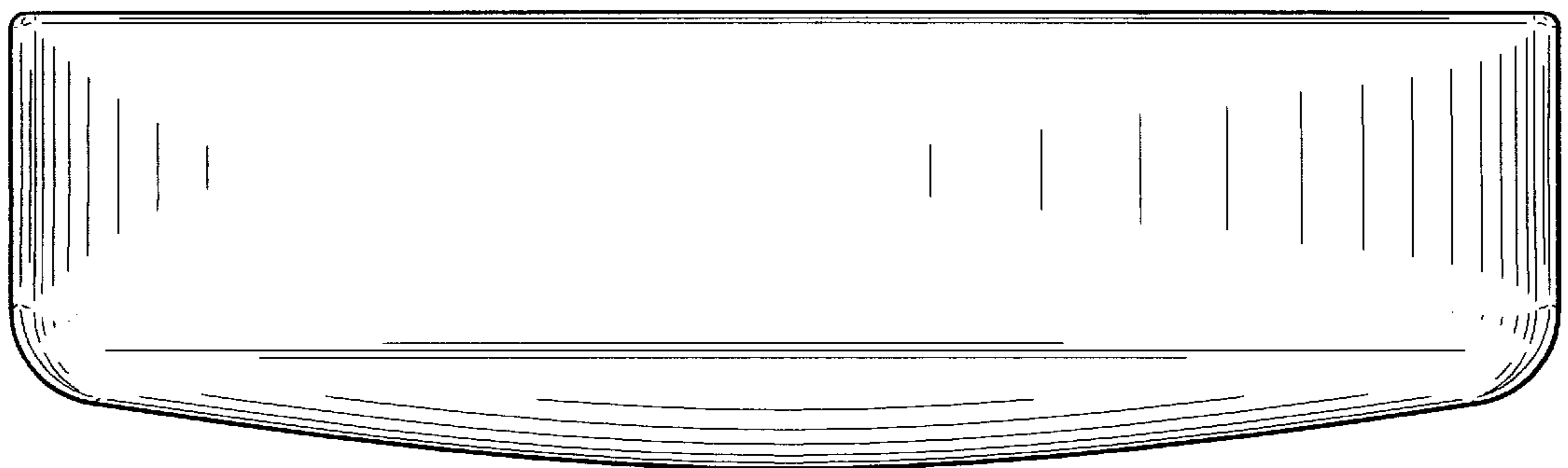


Fig. 2

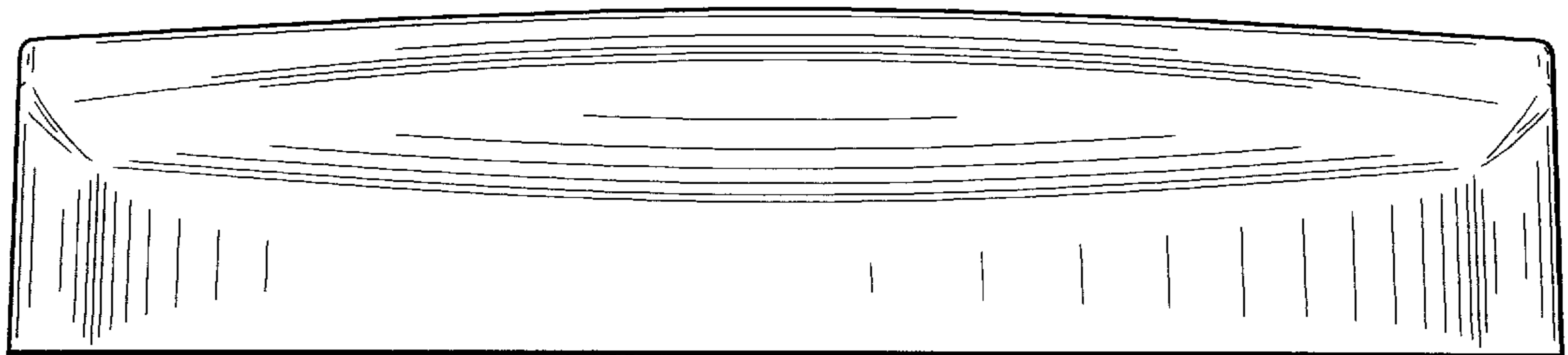


Fig. 3

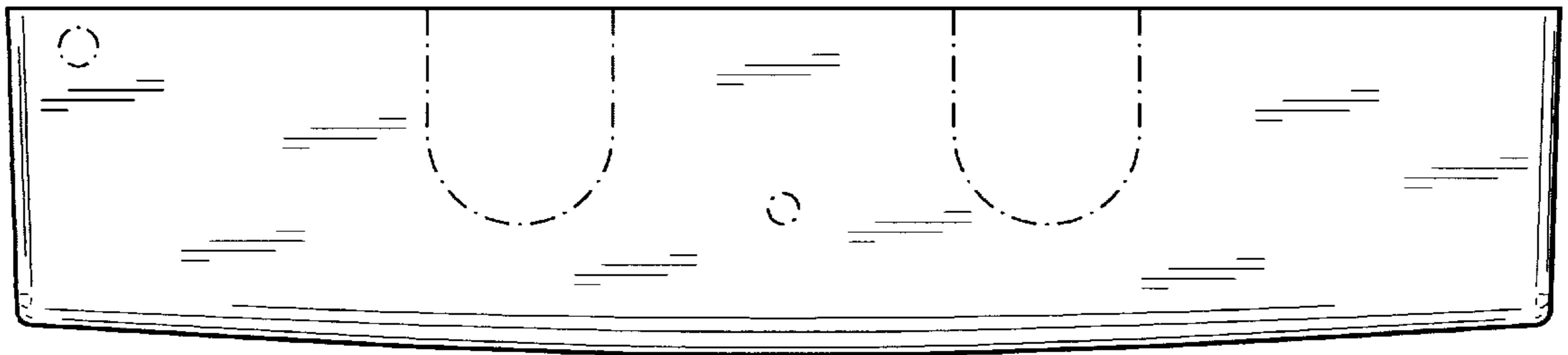


Fig. 4

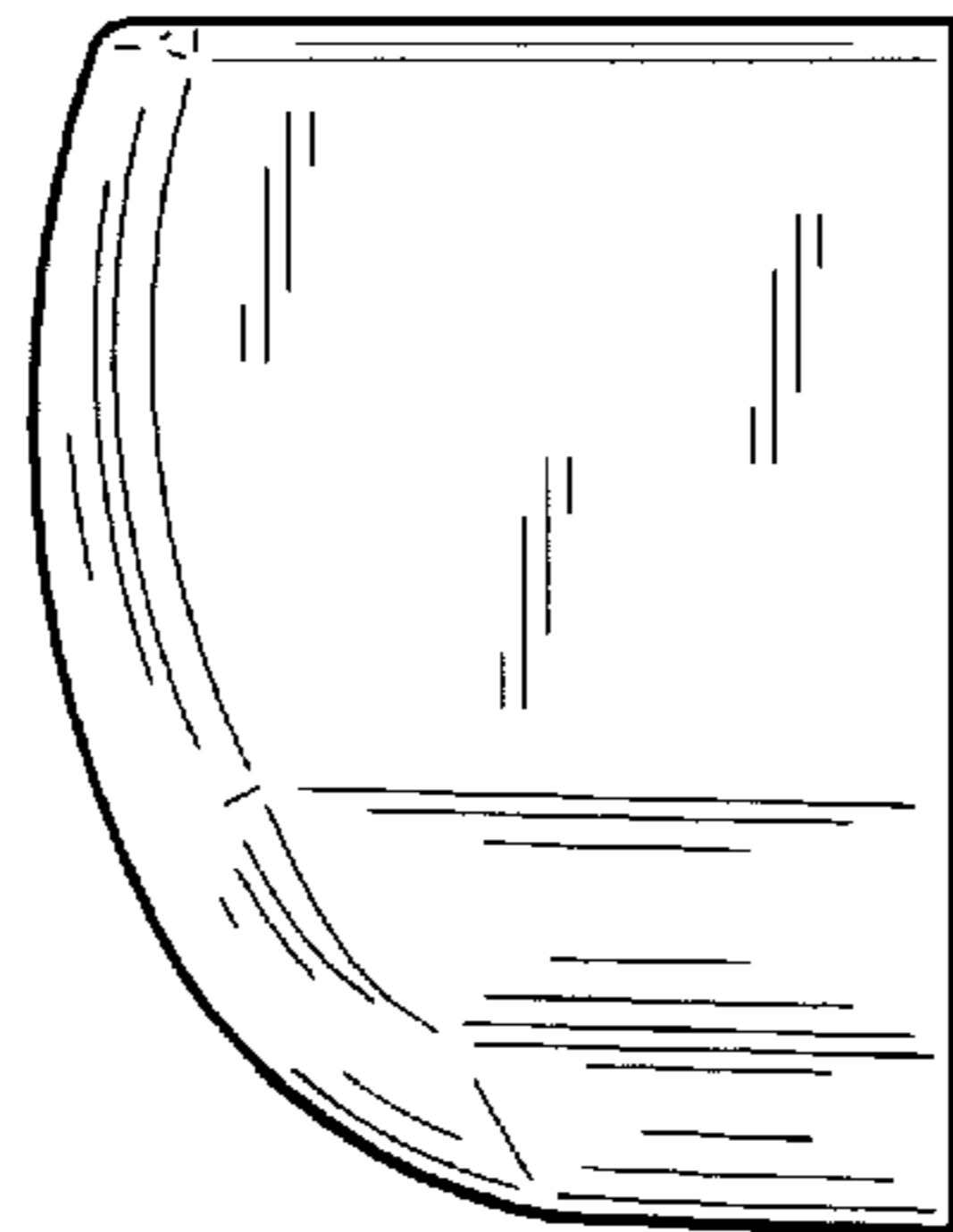


Fig. 5