



US00D438081S

(12) **United States Design Patent**  
**Lester**

(10) **Patent No.:** **US D438,081 S**

(45) **Date of Patent:** **\*\* Feb. 27, 2001**

(54) **PRECISE POSITION CLAMP**

(76) Inventor: **Doug R. Lester**, 2401 Lafferty,  
Pasadena, TX (US) 77502

(\*\*) Term: **14 Years**

(21) Appl. No.: **29/107,447**

(22) Filed: **Jul. 6, 1999**

(51) **LOC (7) Cl.** ..... **08-05**

(52) **U.S. Cl.** ..... **D8/71**

(58) **Field of Search** ..... D8/71, 72, 73;  
269/43, 150, 193, 209, 237, 902

(56) **References Cited**

**U.S. PATENT DOCUMENTS**

D. 272,122	*	1/1984	Nakamura et al.	.....	D8/71
1,923,967	*	8/1933	Brown, Jr.	.....	269/902
2,108,077	*	2/1938	Robinson	.....	269/902
4,340,211	*	7/1982	Chiappetti	.....	269/902

\* cited by examiner

*Primary Examiner*—Philip S. Hyder

(57) **CLAIM**

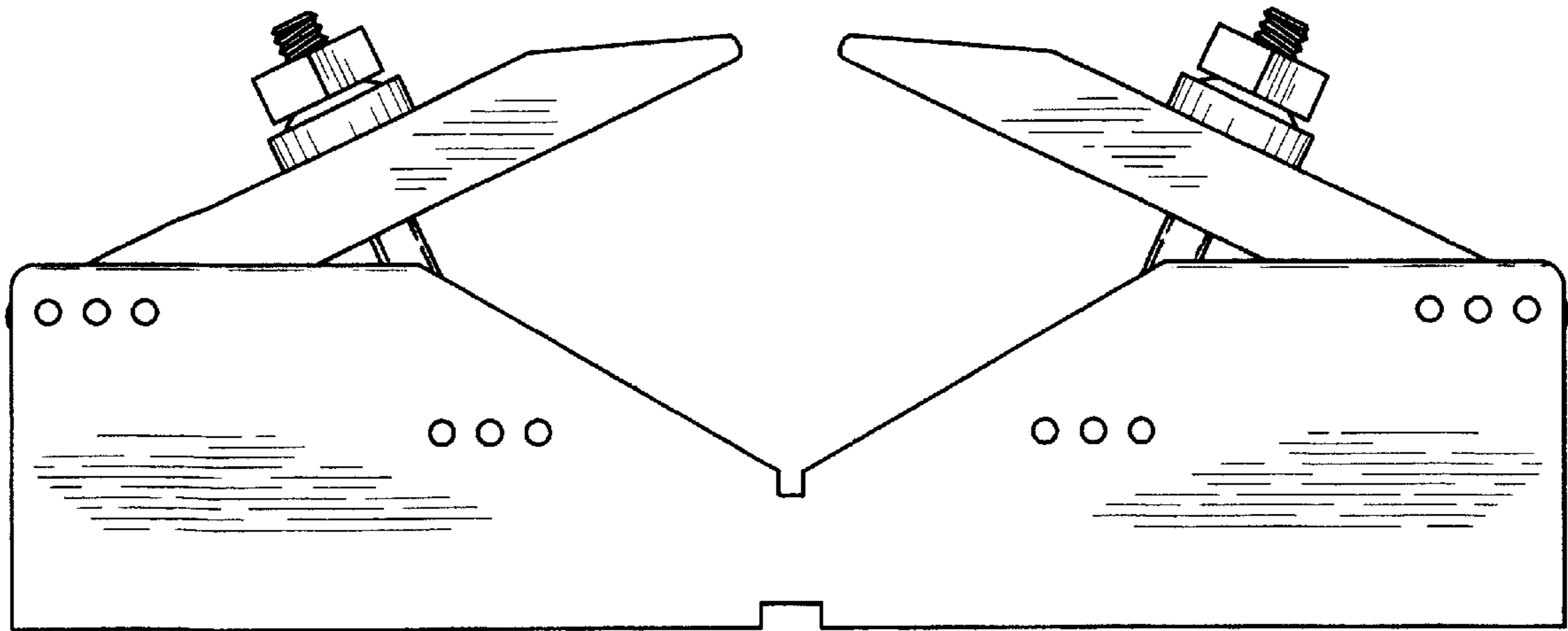
The Ornamental design for a precise position clamp, as shown and described.

**DESCRIPTION**

FIG. 1 is a front elevational view of a precise positioning clamp, showing my new design;  
FIG. 2 is a left side elevational view thereof;  
FIG. 3 is a top plan view thereof;  
FIG. 4 is a front elevational view thereof, with a work piece shown in broken lines;  
FIG. 5 is a left side elevational view thereof, with a work piece shown in broken lines; and,  
FIG. 6 is a top plan view thereof, with a work piece shown in broken lines.

The surfaces or portions of the article not shown in the drawing or described in the specification forms no part of the claimed design. The article shown in broken lines are for illustrative purposes only and form no part of the claimed design.

**1 Claim, 2 Drawing Sheets**



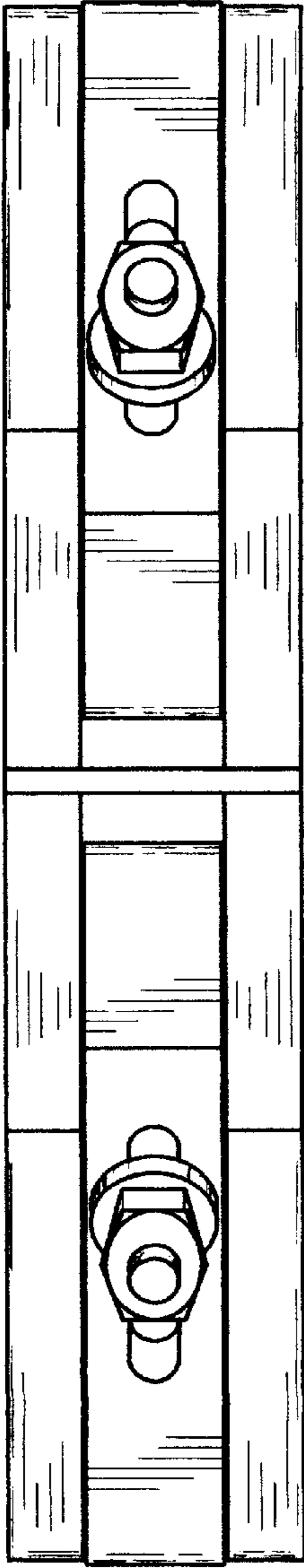


FIG 3

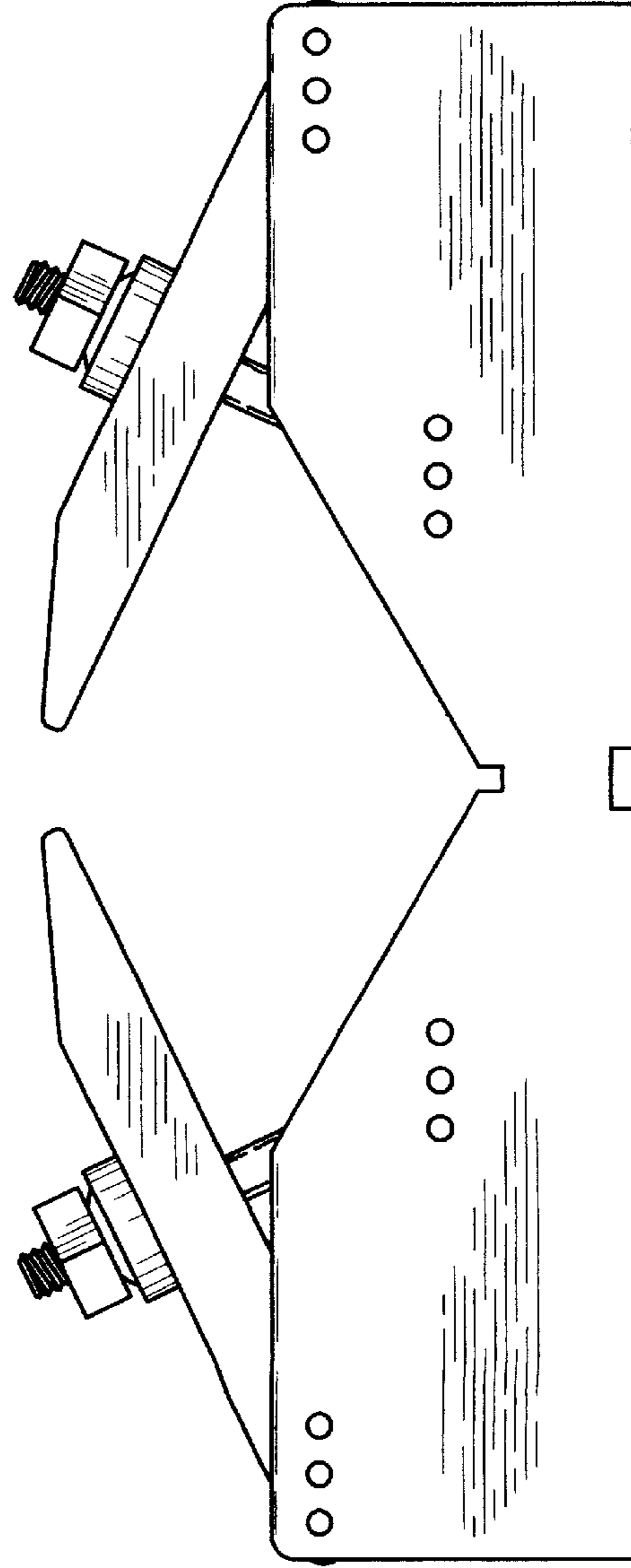


FIG 1

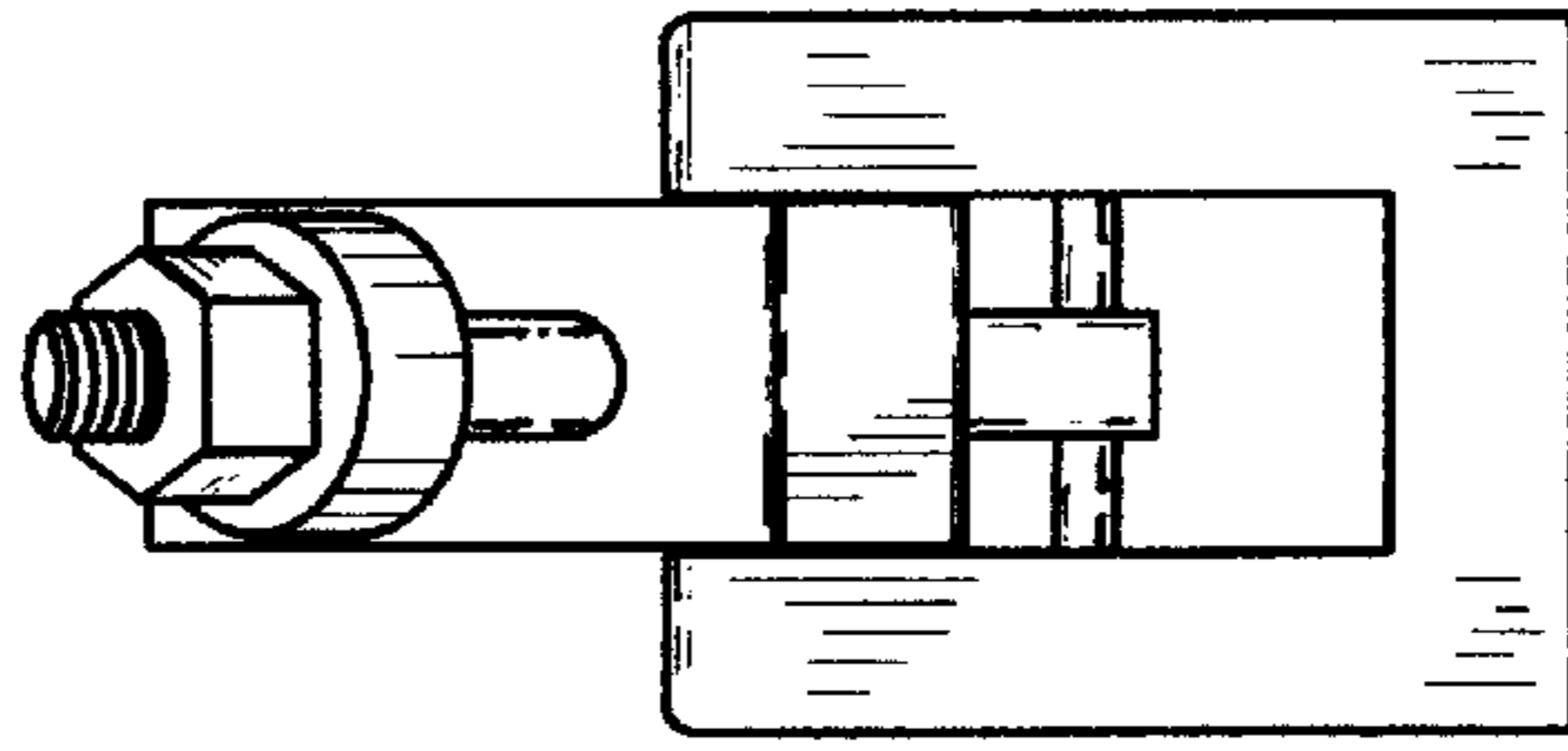


FIG 2

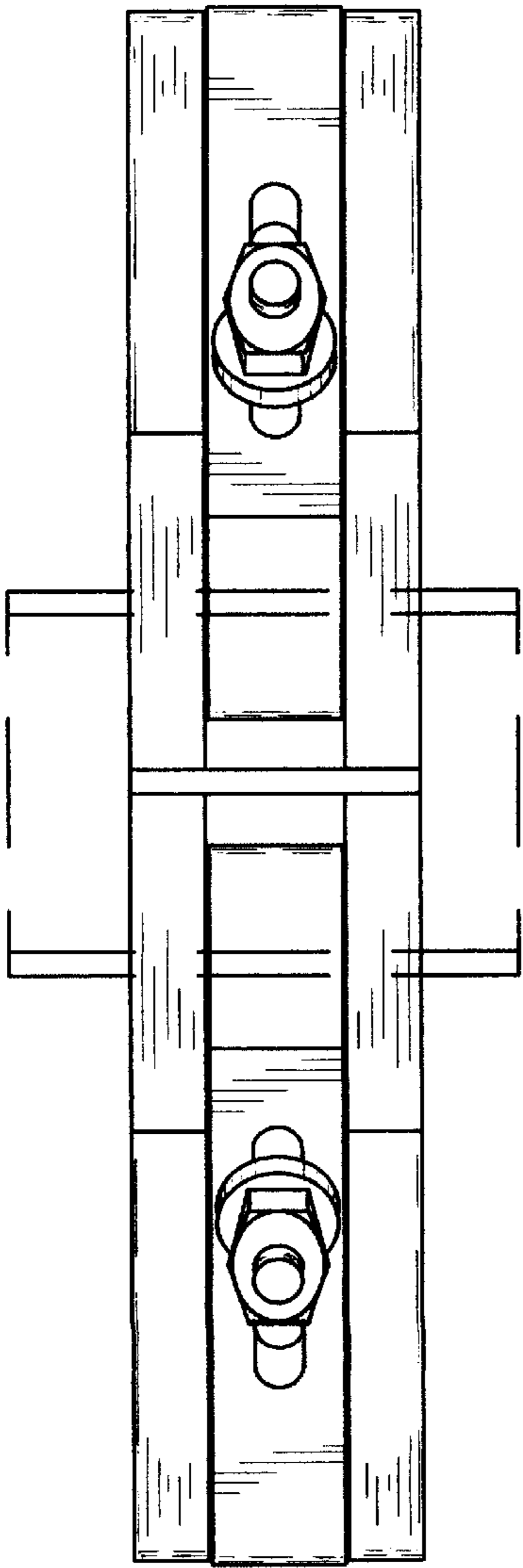


FIG 6

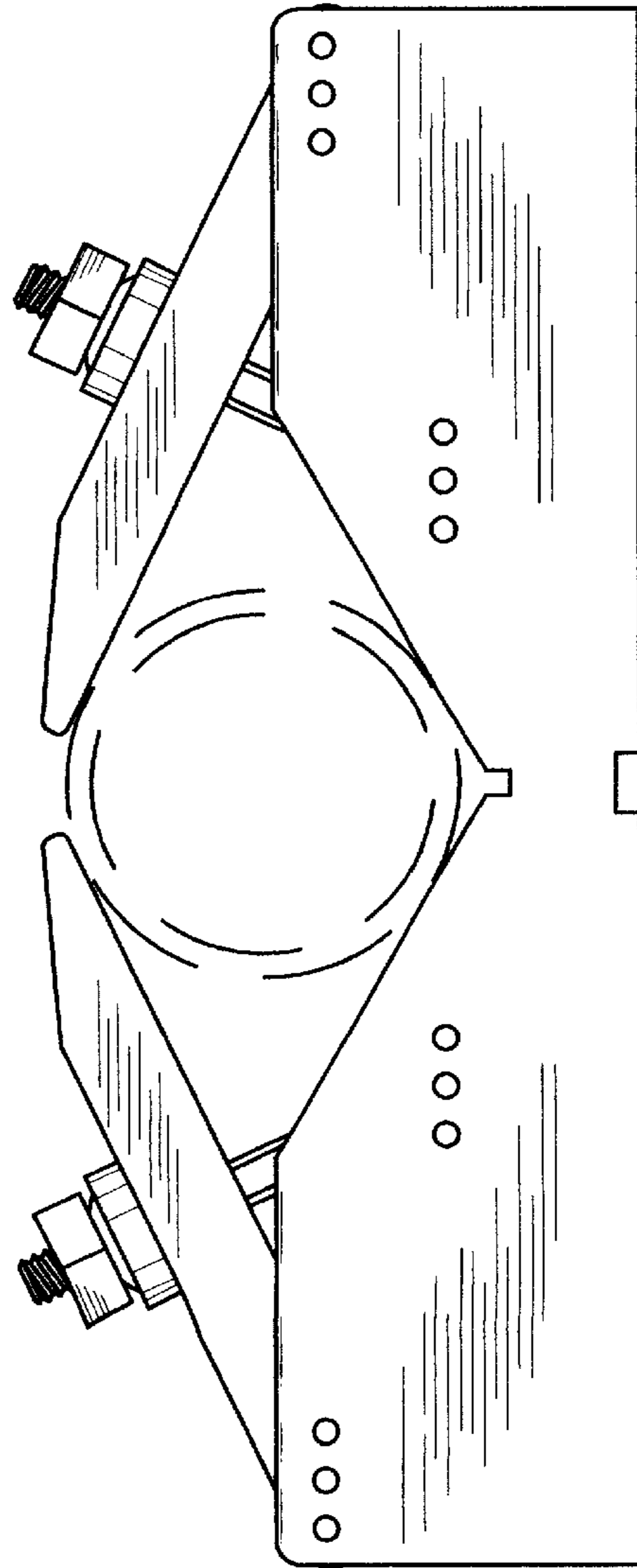


FIG 4

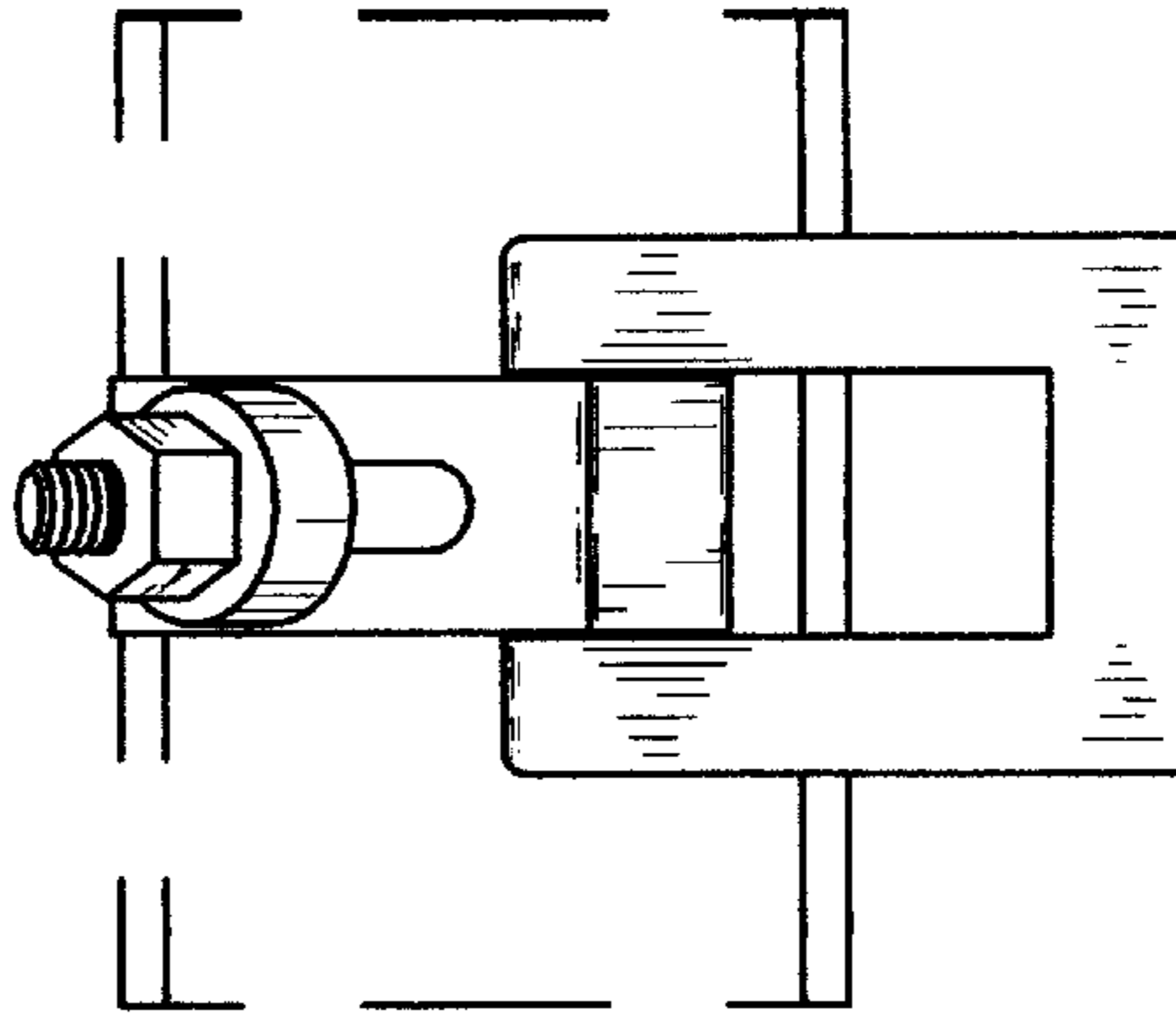


FIG 5