



US00D438080S

(12) **United States Design Patent**
Loomis et al.

(10) **Patent No.:** **US D438,080 S**

(45) **Date of Patent:** **** Feb. 27, 2001**

(54) **IMPACT TOOL HANDLE**

(75) Inventors: **Michael J. Loomis**, Center Valley, PA (US); **Scott D. Price**, Lebanon, NJ (US)

(73) Assignee: **Ingersoll-Rand Company**, Woodcliff Lake, NJ (US)

(**) Term: **14 Years**

(21) Appl. No.: **29/107,645**

(22) Filed: **Jul. 9, 1999**

(51) **LOC (7) Cl.** **08-05**

(52) **U.S. Cl.** **D8/70; D8/68**

(58) **Field of Search** **D8/61, 68, 300; 227/2, 8, 111-115, 120, 123, 130; 173/93.5**

(56) **References Cited**

U.S. PATENT DOCUMENTS

D. 215,407	*	9/1969	Hackerman et al.	D8/61
D. 223,134		3/1972	Bunyes	D8/61
D. 327,829	*	7/1992	Mochida	D8/61
3,352,368		11/1967	Maffey, Jr.	D8/61
4,063,601	*	12/1977	Blek	173/93.5

OTHER PUBLICATIONS

P. 81 of Design Catalog "Industrial Professional Tools and Equipment", received by Japanese Patent Office on Sep. 16, 1997, entitled Portable Impact Wrench.

* cited by examiner

Primary Examiner—Antoine Duval Davis

(74) *Attorney, Agent, or Firm*—Leon Nigohosian, Jr.

(57) **CLAIM**

The ornamental design of an impact tool handle, as shown and described.

DESCRIPTION

FIG. 1 is an isometric view of an impact tool handle showing our design;

FIG. 2 is a left side view of FIG. 1;

FIG. 3 is a right side view of FIG. 1;

FIG. 4 is a front view of FIG. 1;

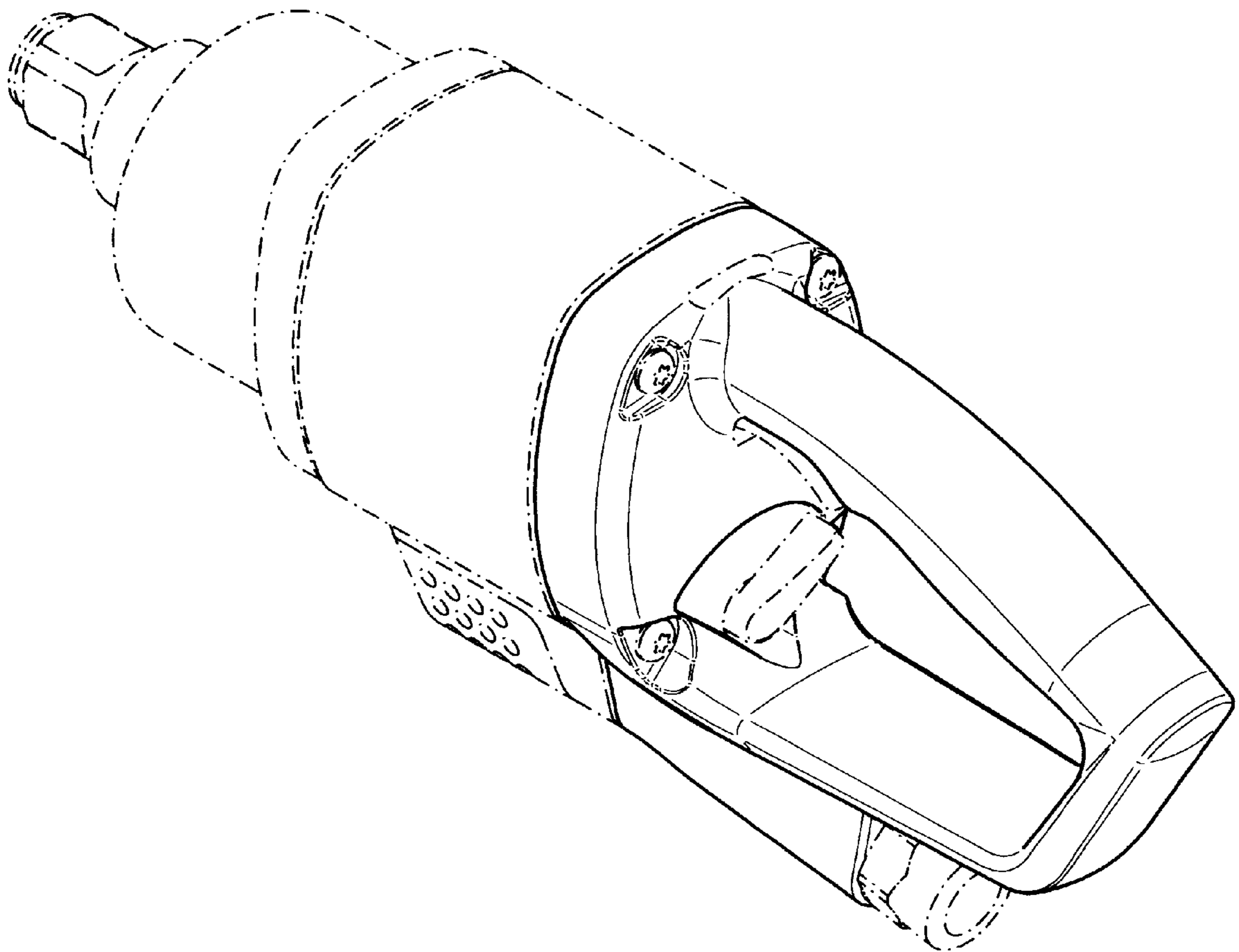
FIG. 5 is a rear view of FIG. 1;

FIG. 6 is a top view of FIG. 1; and,

FIG. 7 is a bottom view of FIG. 1.

The broken lines which define the bounds of the claimed design form no part thereof.

1 Claim, 4 Drawing Sheets



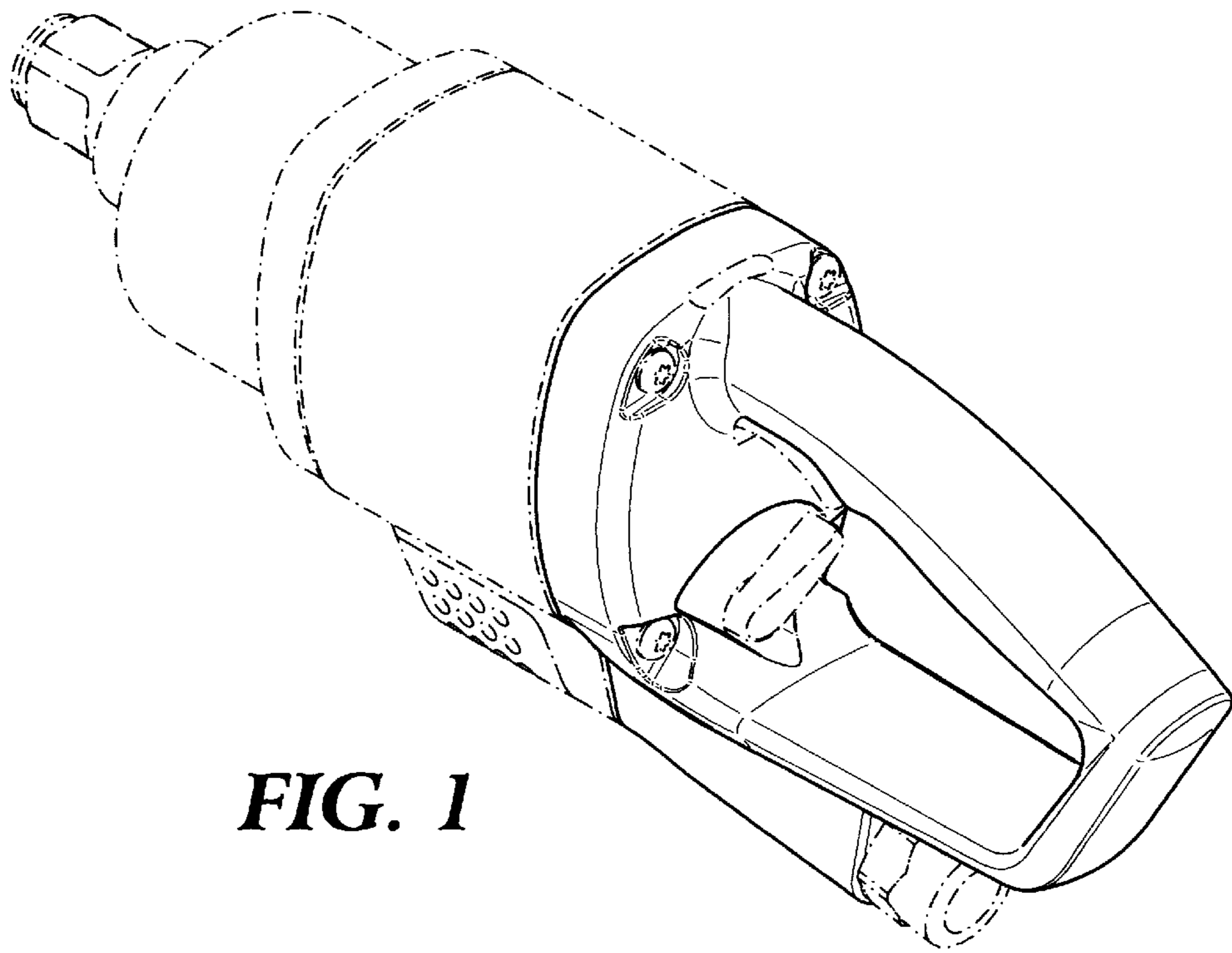


FIG. 1

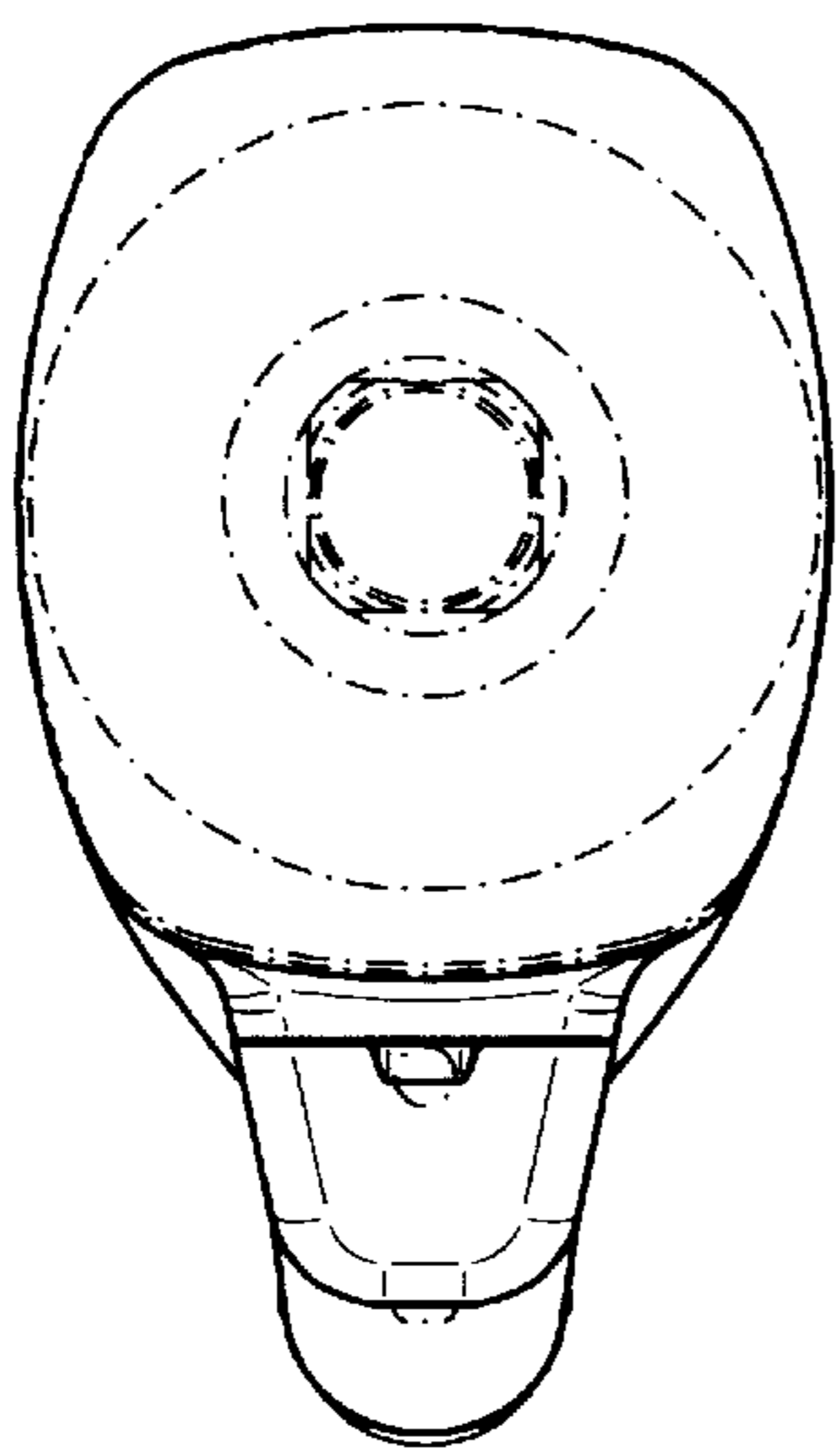


FIG. 4

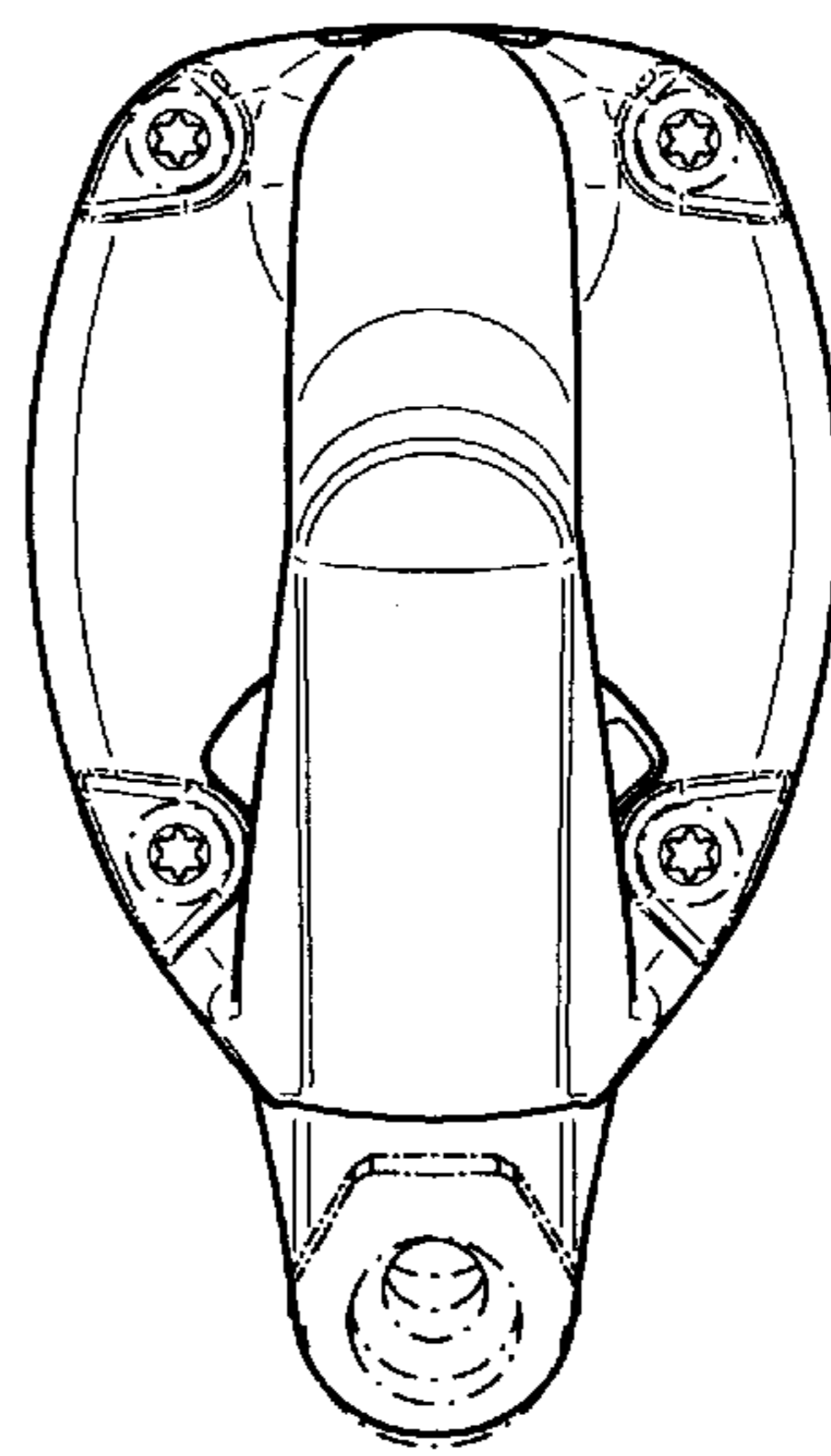


FIG. 5

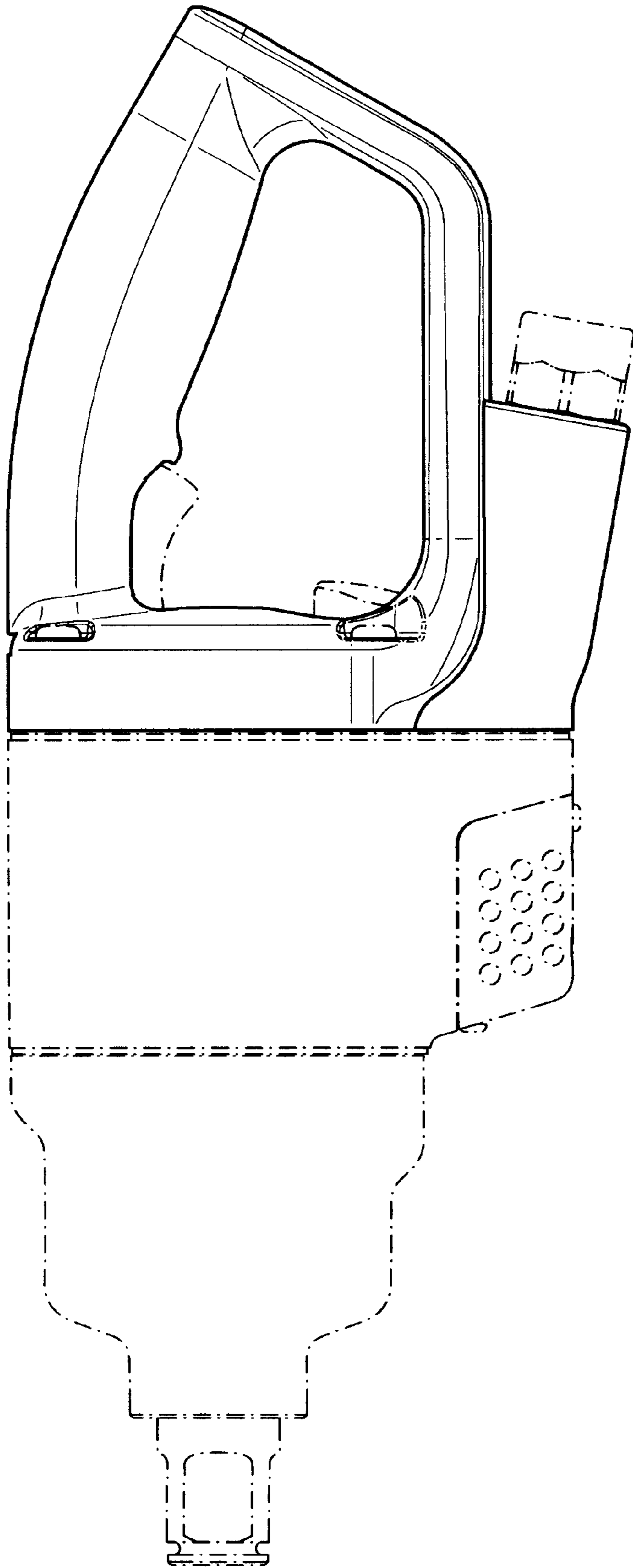


FIG. 2

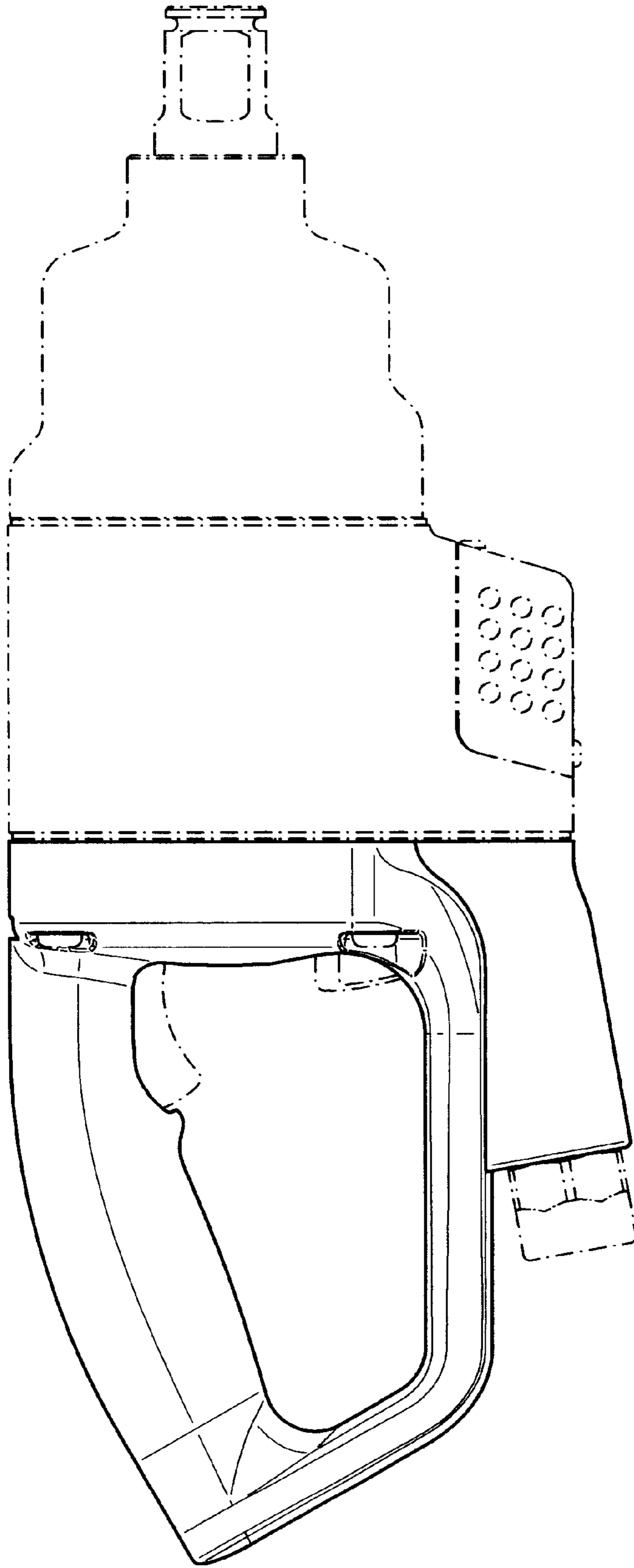


FIG. 3

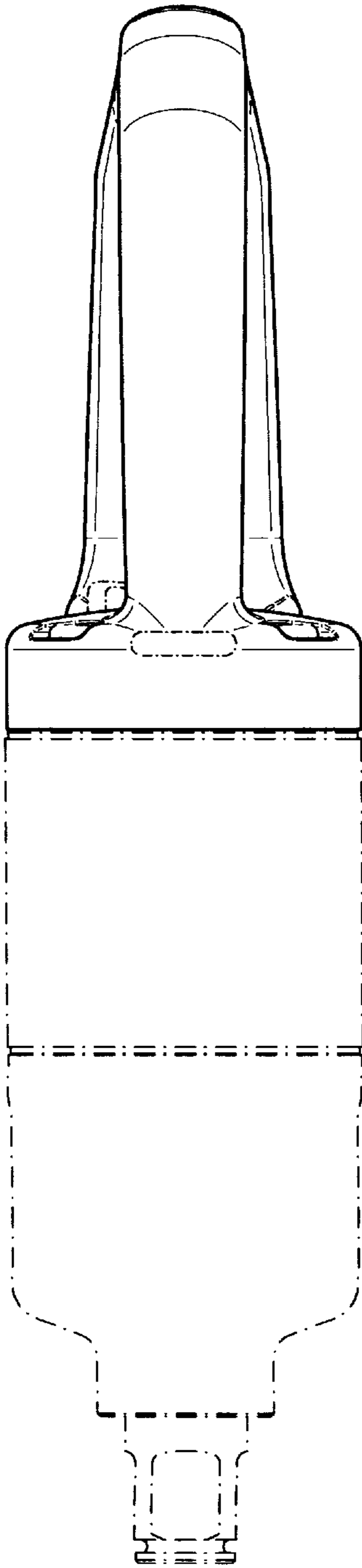


FIG. 6

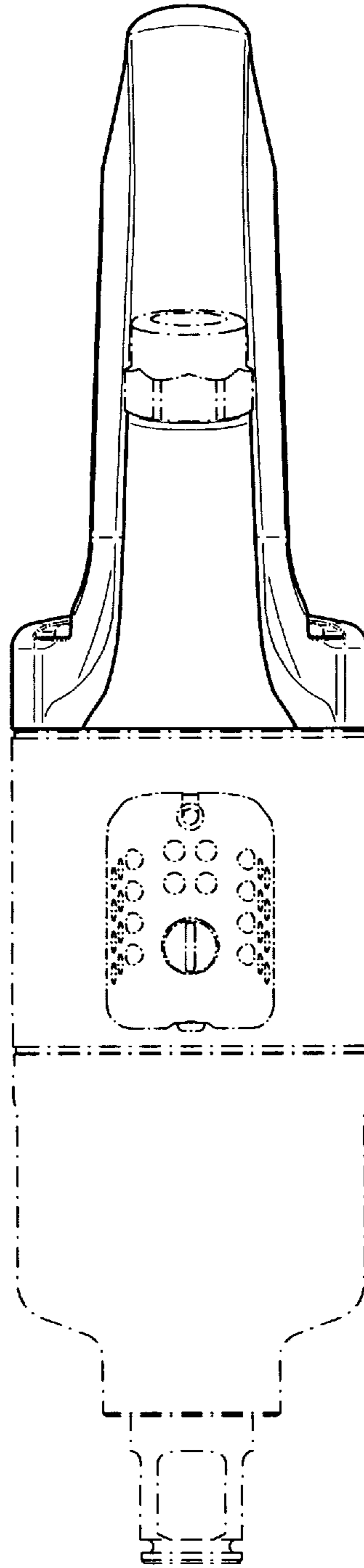


FIG. 7