



US00D438079S

(12) **United States Design Patent**  
**Hattori**

(10) **Patent No.:** **US D438,079 S**

(45) **Date of Patent:** **\*\* Feb. 27, 2001**

(54) **PNEUMATIC NAILING MACHINE**

(75) **Inventor:** **Takeo Hattori, Tokyo (JP)**

(73) **Assignee:** **Max Co., Ltd., Tokyo (JP)**

(\*\*) **Term:** **14 Years**

(21) **Appl. No.:** **29/127,431**

(22) **Filed:** **Aug. 3, 2000**

(30) **Foreign Application Priority Data**

Feb. 9, 2000 (JP) ..... 12-002121

(51) **LOC (7) Cl.** ..... **08-05**

(52) **U.S. Cl.** ..... **D8/69**

(58) **Field of Search** ..... D8/61-70; 81/57.11,  
81/54, 57.42; 227/130, 136, 8, 10, 120,  
151, 142, 131, 112-116

(56) **References Cited**

**U.S. PATENT DOCUMENTS**

D. 307,234	*	4/1990	Fushiya et al.	.....	D8/69
D. 334,329	*	3/1993	Ogawa et al.	.....	D8/68
D. 337,252	*	7/1993	Tsuru et al.	.....	D8/69
D. 338,819	*	8/1993	Ohkochi	.....	D8/69
D. 368,216		3/1996	Hattori	.....	D8/68
D. 377,592	*	1/1997	Hattori	.....	D8/69
D. 379,912	*	6/1997	Burke et al.	.....	D8/68
D. 392,170	*	3/1998	Hattori	.....	D8/68
4,480,528	*	11/1984	Shiroyama	.....	91/461

4,619,393	*	10/1986	Maurer	.....	227/136
5,110,030	*	5/1992	Tanji	.....	227/130
5,193,730	*	3/1993	Tanaka et al.	.....	227/8
5,217,153	*	6/1993	Yamamoto et al.	.....	227/130
5,219,110	*	6/1993	Mukoyama	.....	227/8
5,267,682	*	12/1993	Okouchi	.....	227/151
5,593,079	*	1/1997	Mukoyama et al.	.....	227/8
5,628,445	*	5/1997	Braddock et al.	.....	227/151
5,667,127	*	9/1997	Ichikawa et al.	.....	227/142
5,785,227	*	7/1998	Akiba	.....	227/8
5,878,936	*	3/1999	Adachi et al.	.....	227/130

\* cited by examiner

*Primary Examiner*—Jeffrey Asch

(74) *Attorney, Agent, or Firm*—Morgan, Lewis & Bockius LLP

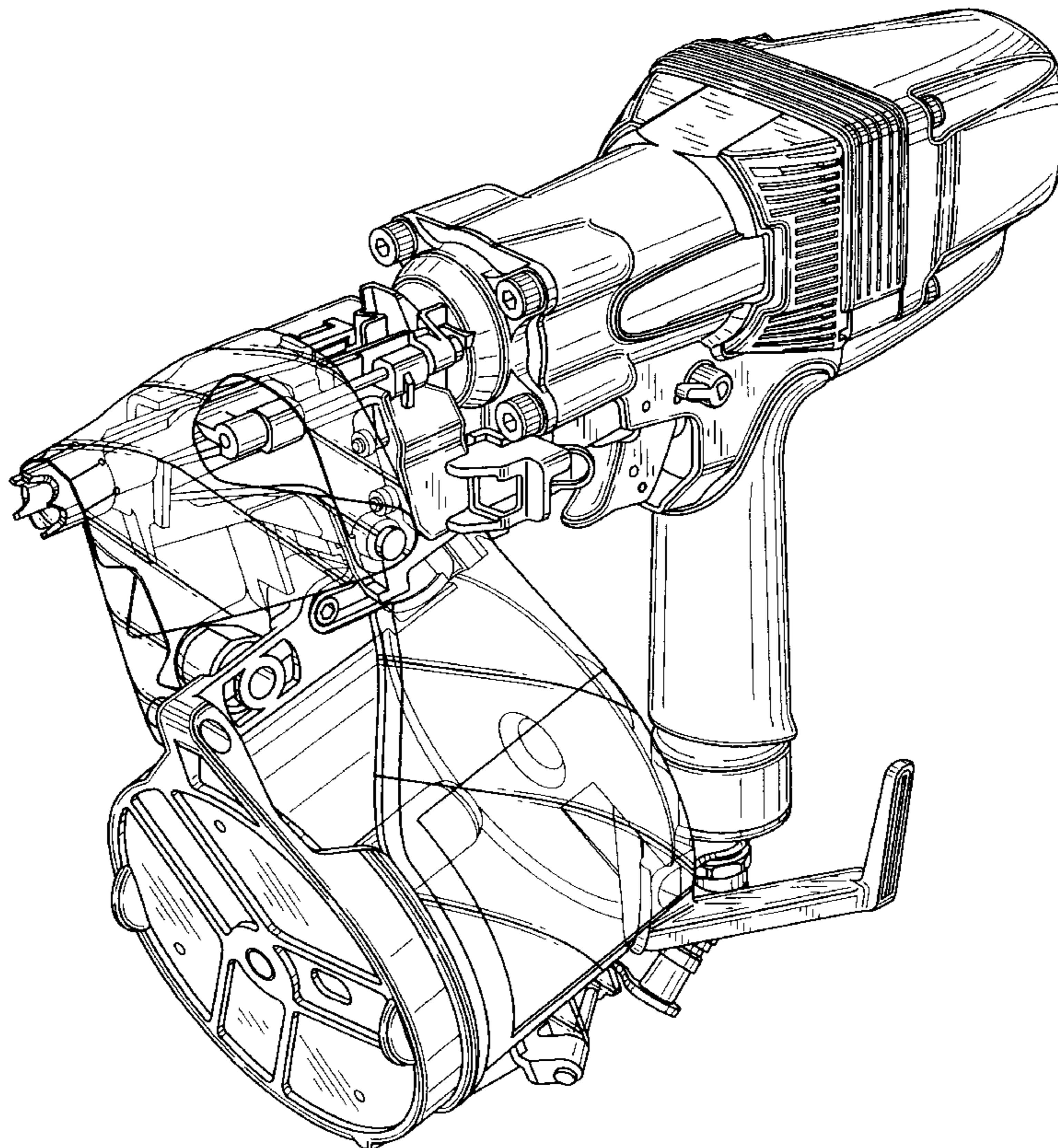
(57) **CLAIM**

The ornamental design for a pneumatic nailing machine, as shown and described.

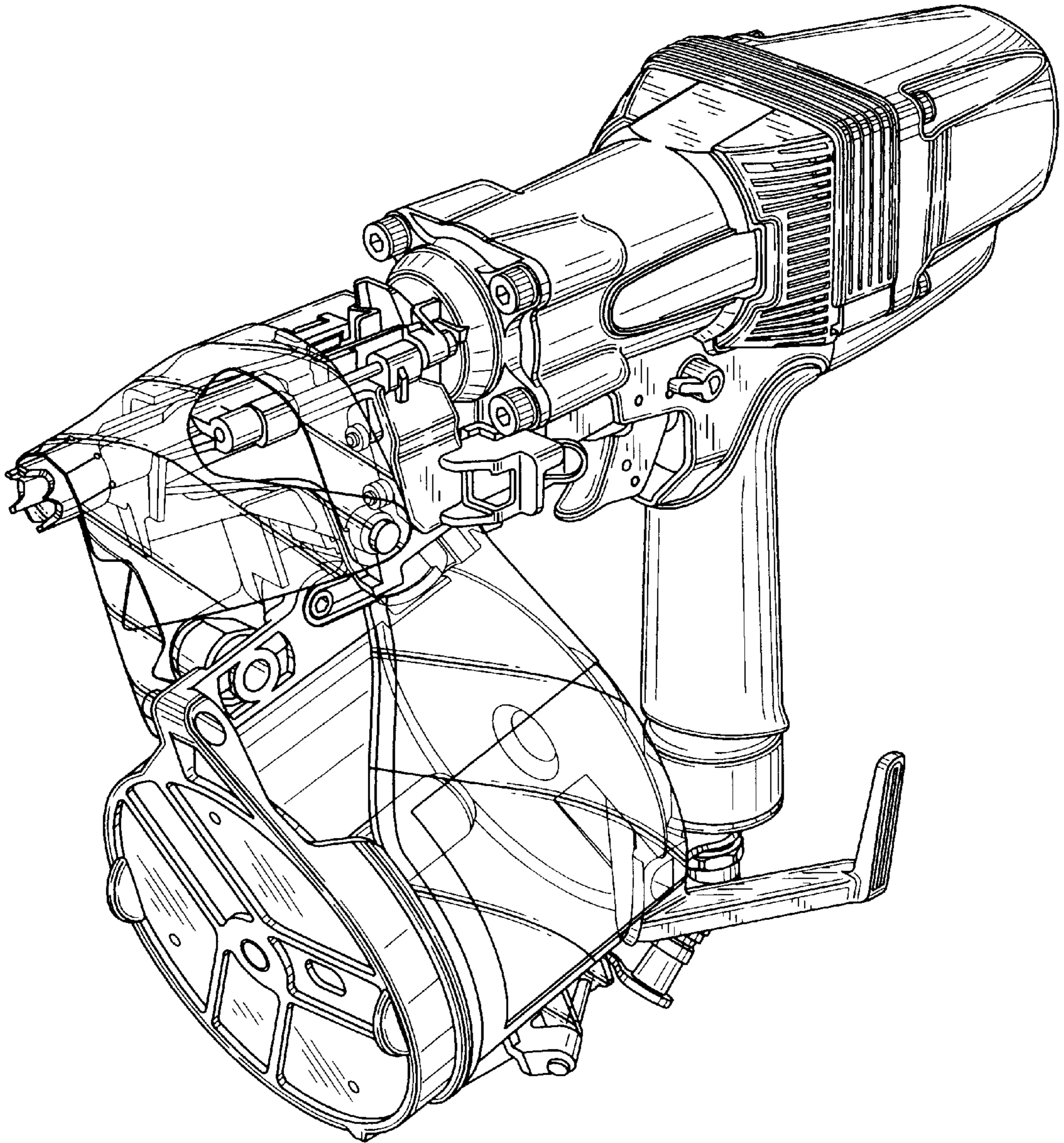
**DESCRIPTION**

FIG. 1 is a front perspective view of a pneumatic nailing machine showing my new design; FIG. 2 is a front elevational view thereof; FIG. 3 is a rear elevational view thereof; FIG. 4 is a left side view thereof; FIG. 5 is a right side view thereof; FIG. 6 is a top plan view thereof; and, FIG. 7 is a bottom plan view thereof.

**1 Claim, 5 Drawing Sheets**



*FIG. 1*



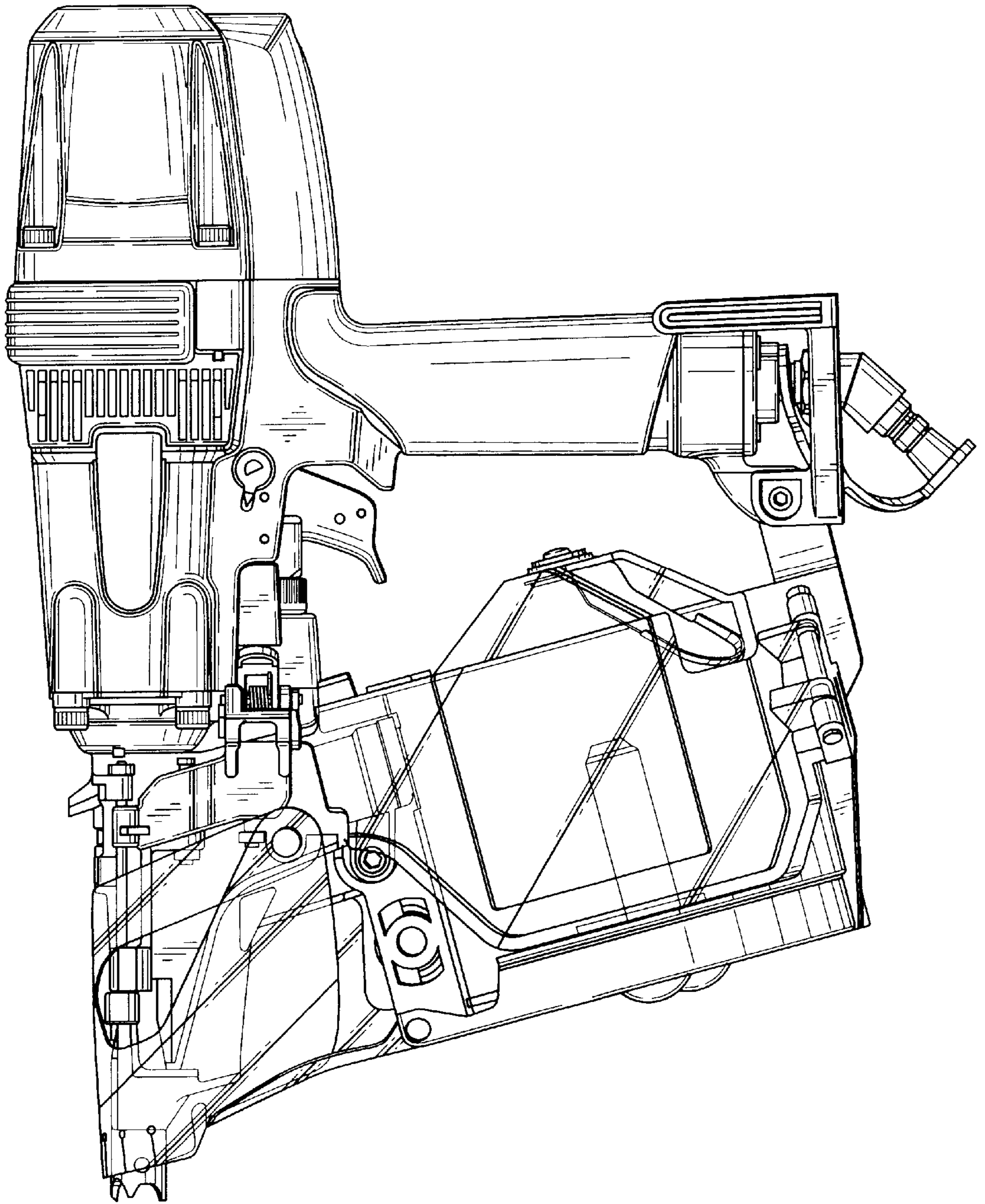


FIG. 2

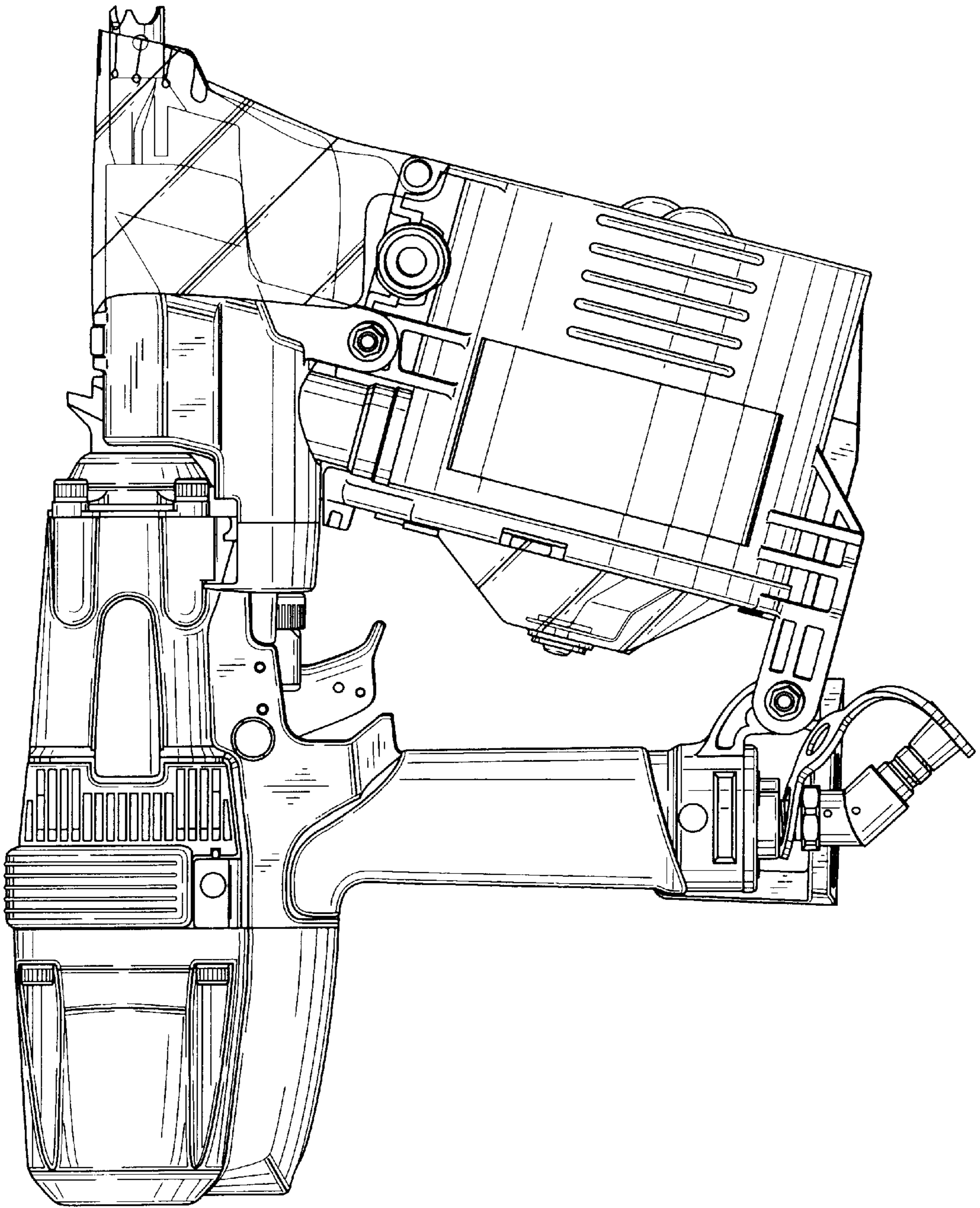
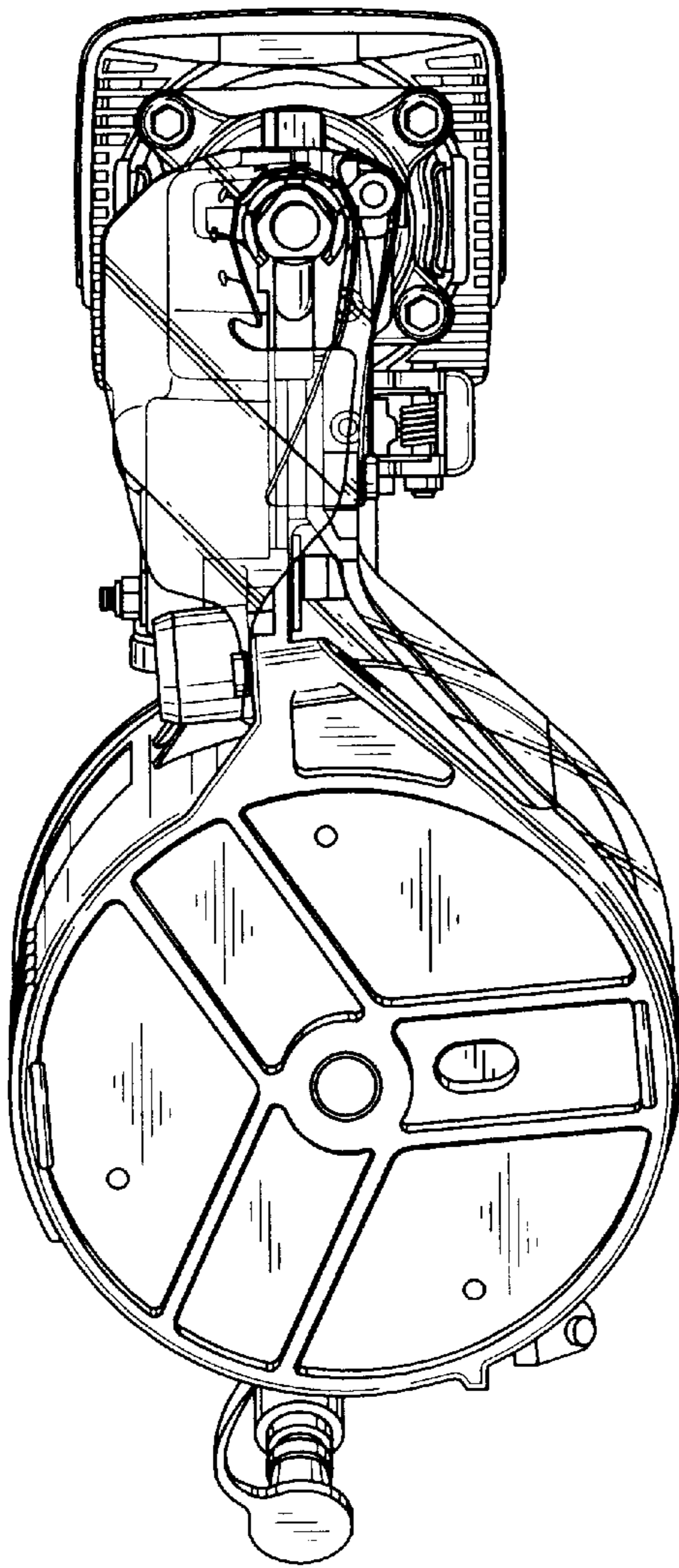
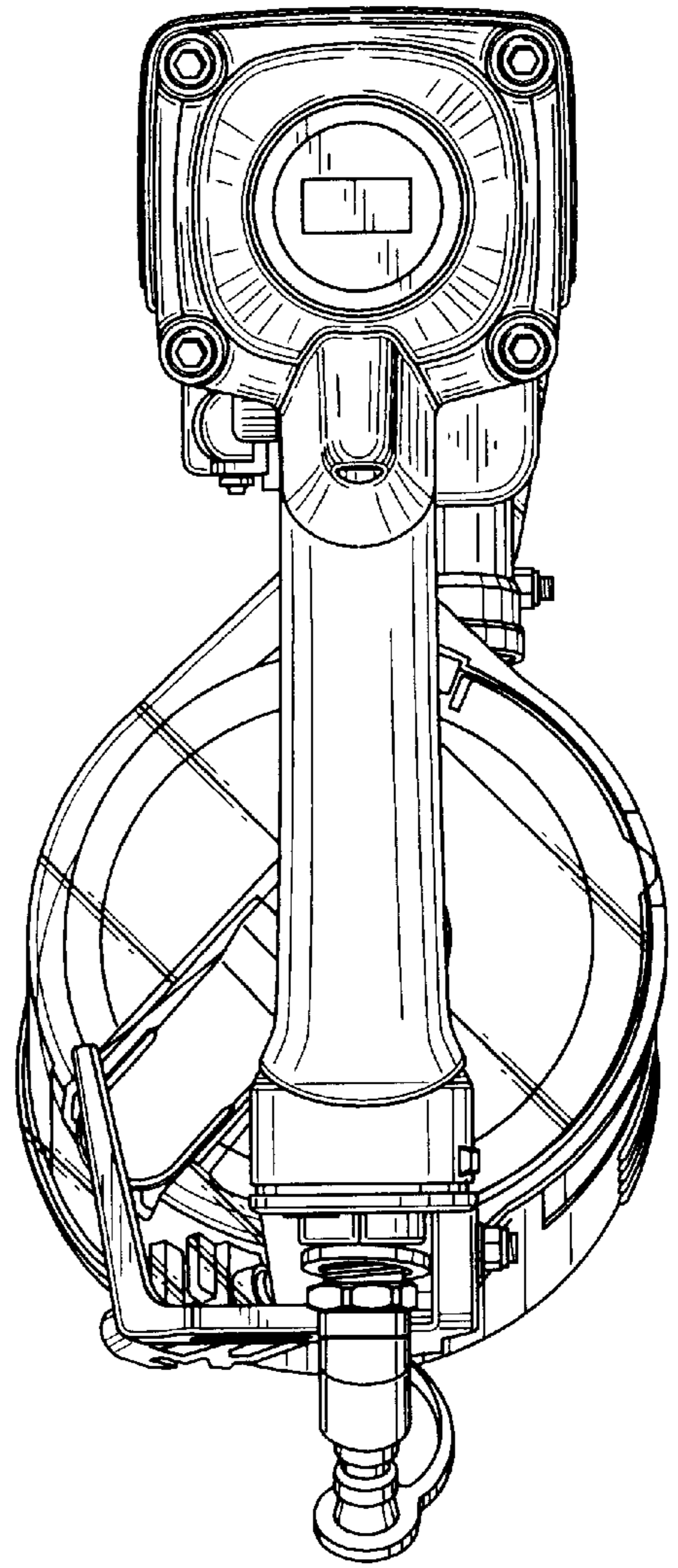


FIG. 3

*FIG. 4*



*FIG. 5*



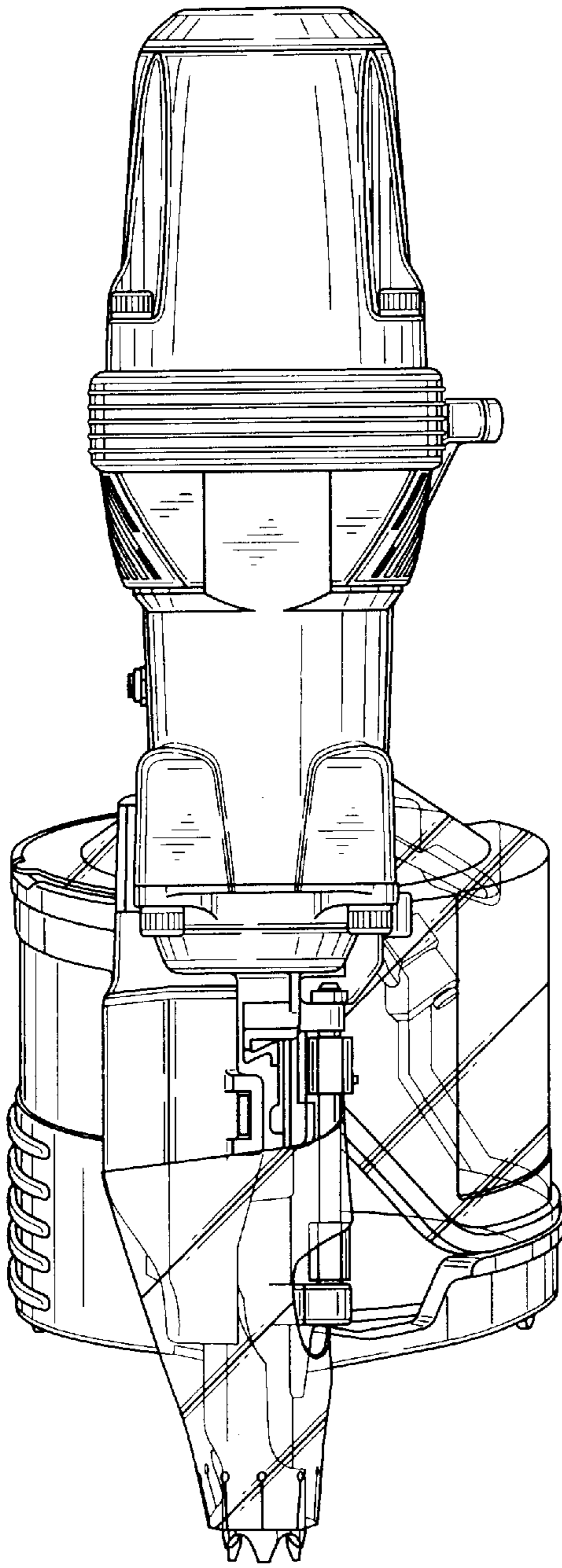


FIG. 6

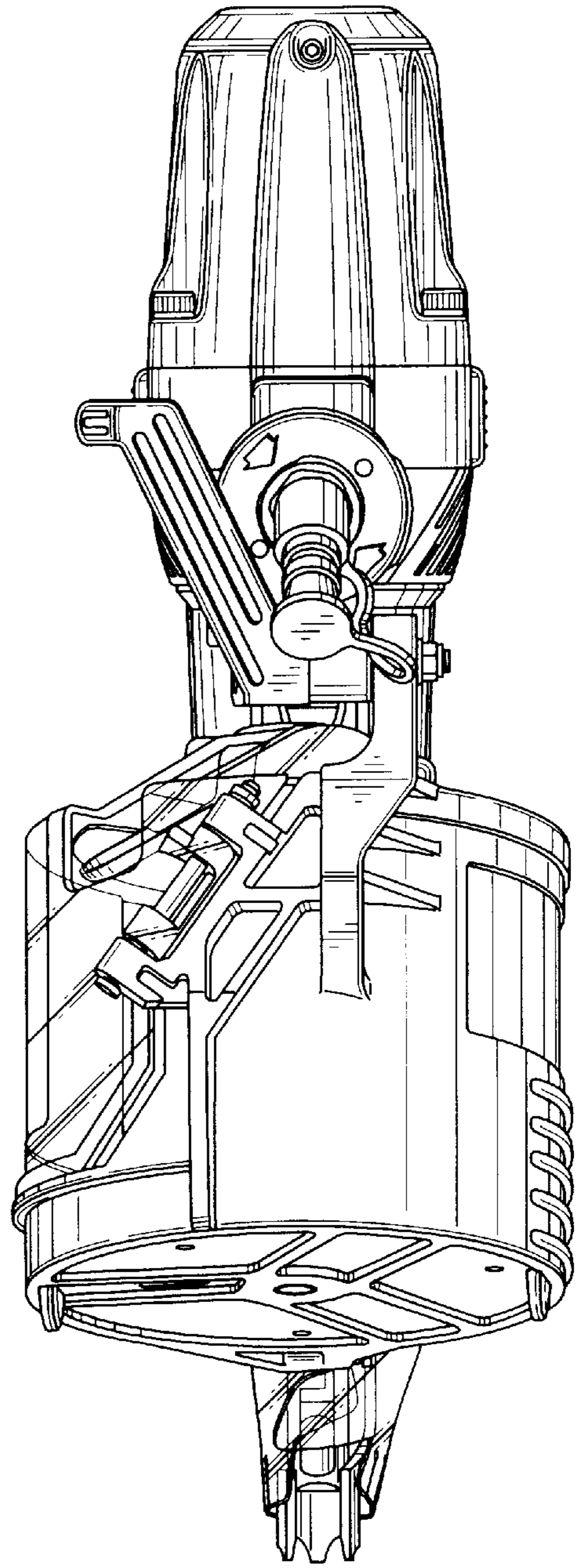


FIG. 7