



US00D438078S

(12) **United States Design Patent**
Leu

(10) **Patent No.:** **US D438,078 S**

(45) **Date of Patent:** **** Feb. 27, 2001**

(54) **SANDER**

(76) Inventor: **Jiin-Feng Leu**, No. 13, Lane 3,
Feng-Leh Rd., Taichung City (TW)

(**) Term: **14 Years**

(21) Appl. No.: **29/120,308**

(22) Filed: **Mar. 17, 2000**

(51) **LOC (7) Cl.** **08-02**

(52) **U.S. Cl.** **D8/62**

(58) **Field of Search** D8/62; 451/344,
451/355-359

(56) **References Cited**

U.S. PATENT DOCUMENTS

- D. 353,984 * 1/1995 Izumisawa D8/62
- D. 357,163 * 4/1995 Izumisawa D8/62
- 6,004,197 * 12/1999 Huber 451/357 X

* cited by examiner

Primary Examiner—Antoine Duval Davis

(74) *Attorney, Agent, or Firm*—Dougherty & Troxell

(57) **CLAIM**

The ornamental design for a sander, shown and described.

DESCRIPTION

FIG. 1 is a perspective view showing the rear, left side and top of my new design for a sander;

FIG. 2 is a left side view thereof;

FIG. 3 is a right side view thereof;

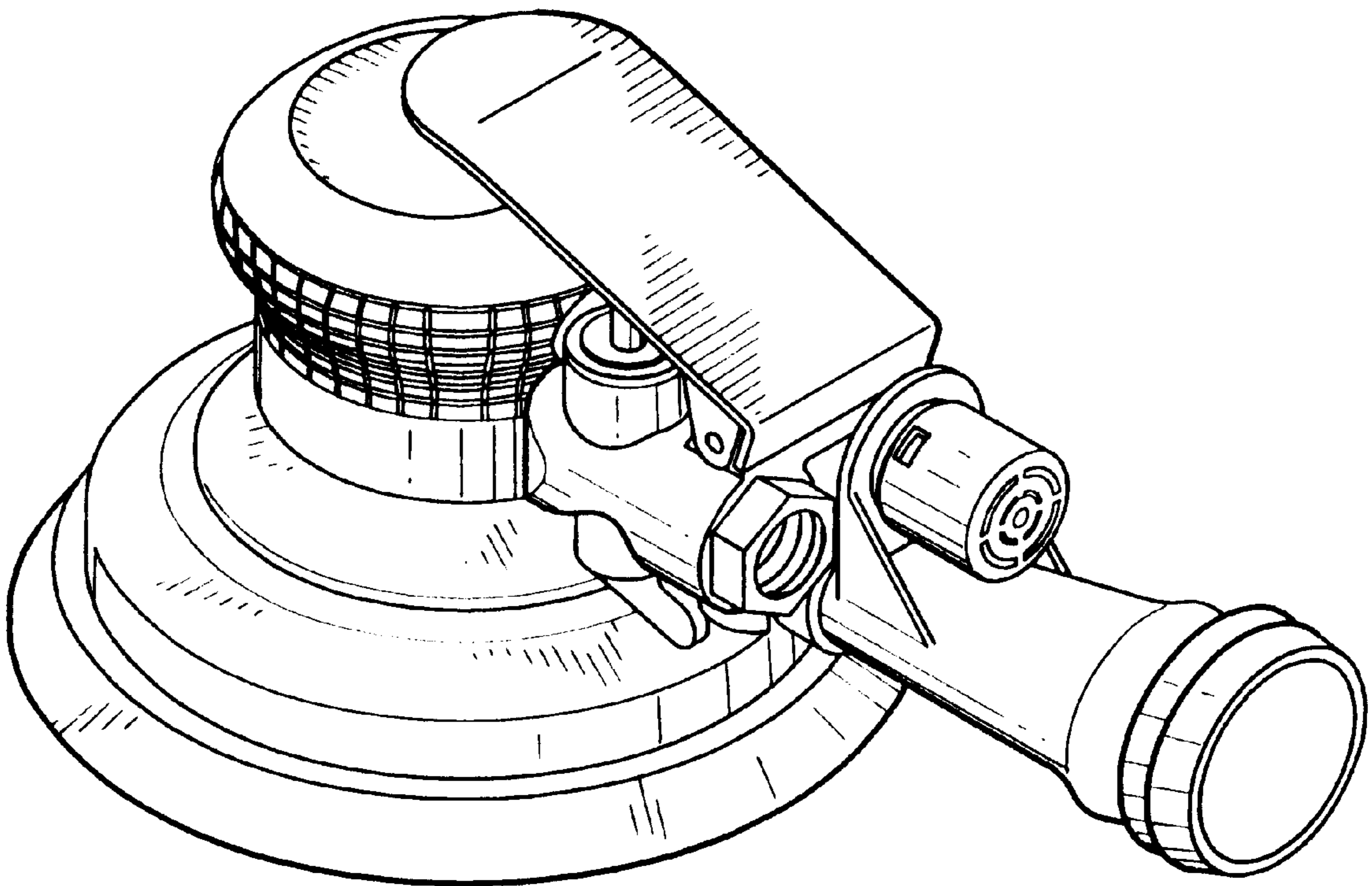
FIG. 4 is a front view thereof;

FIG. 5 is a rear view thereof;

FIG. 6 is a top view thereof; and,

FIG. 7 is a bottom view thereof.

1 Claim, 4 Drawing Sheets



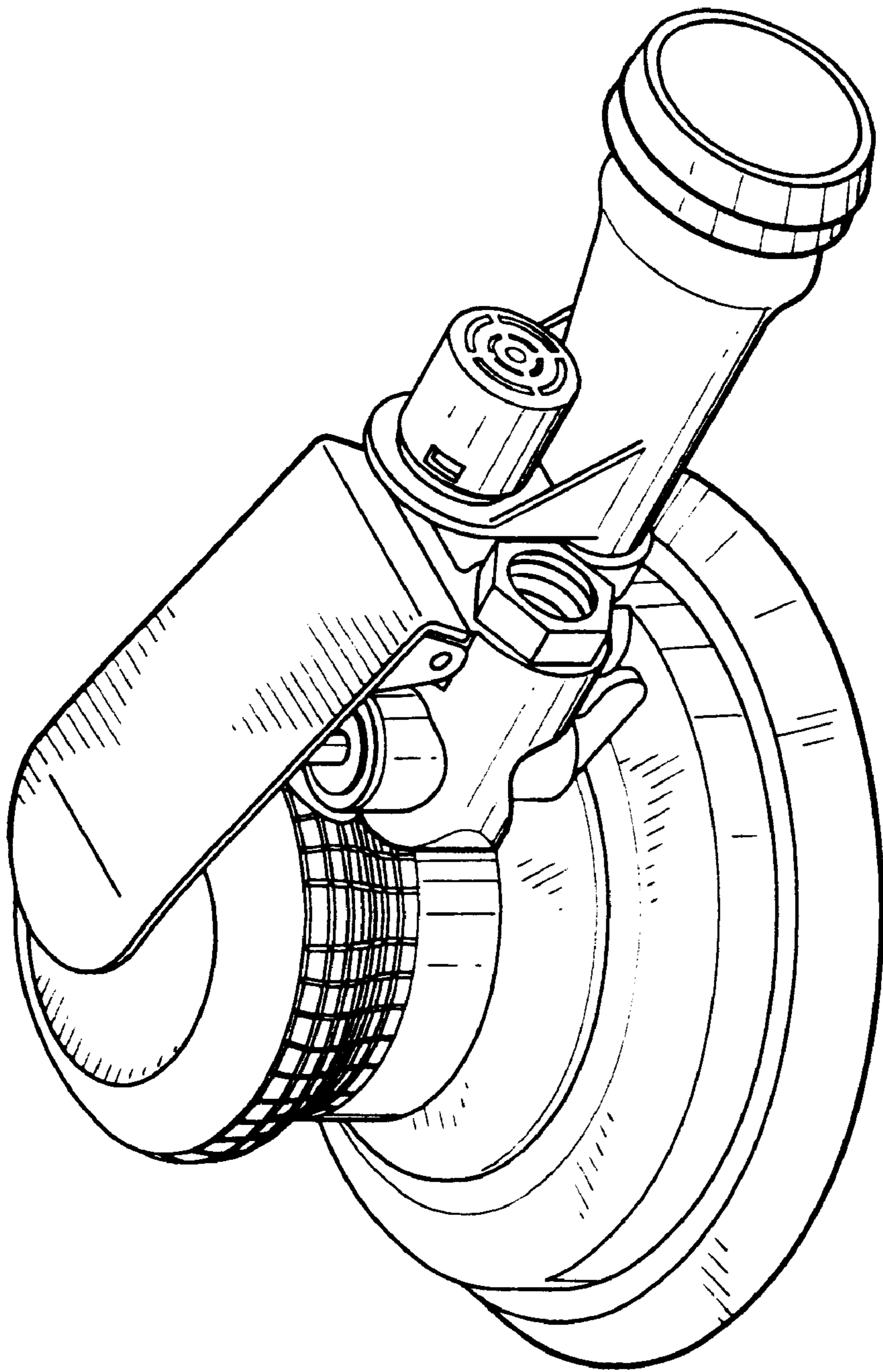


FIG. 1

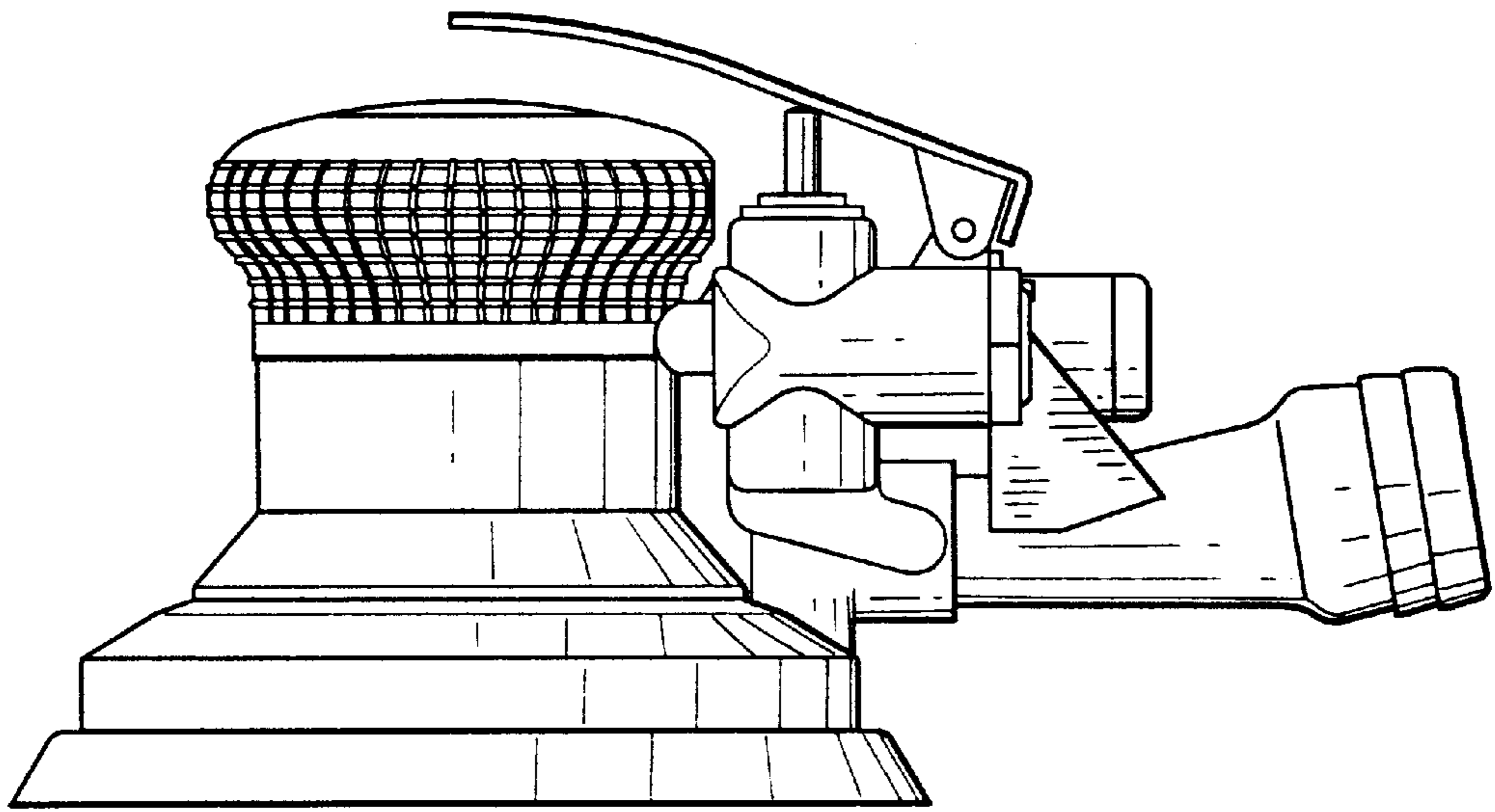


FIG. 2

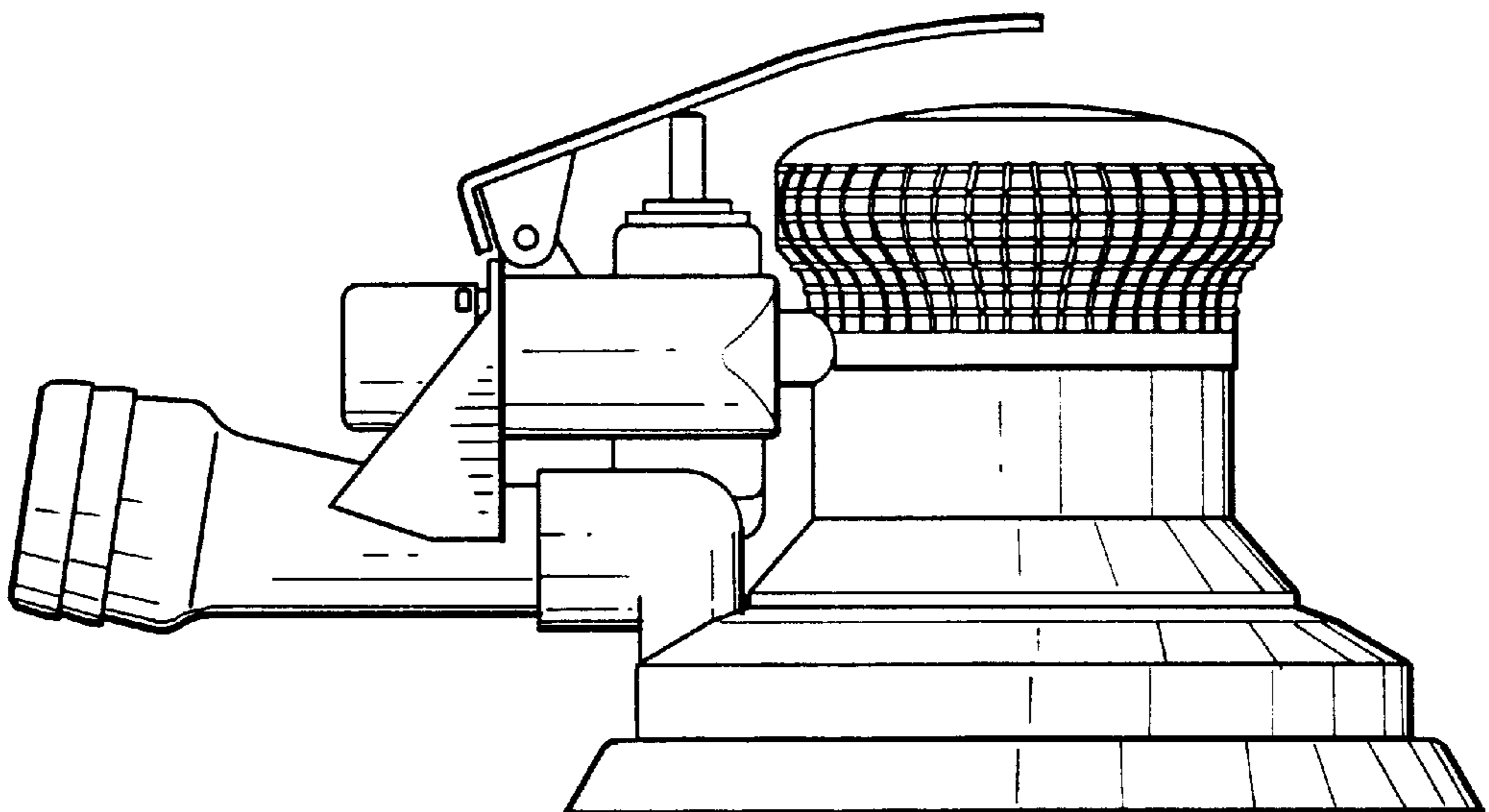


FIG. 3

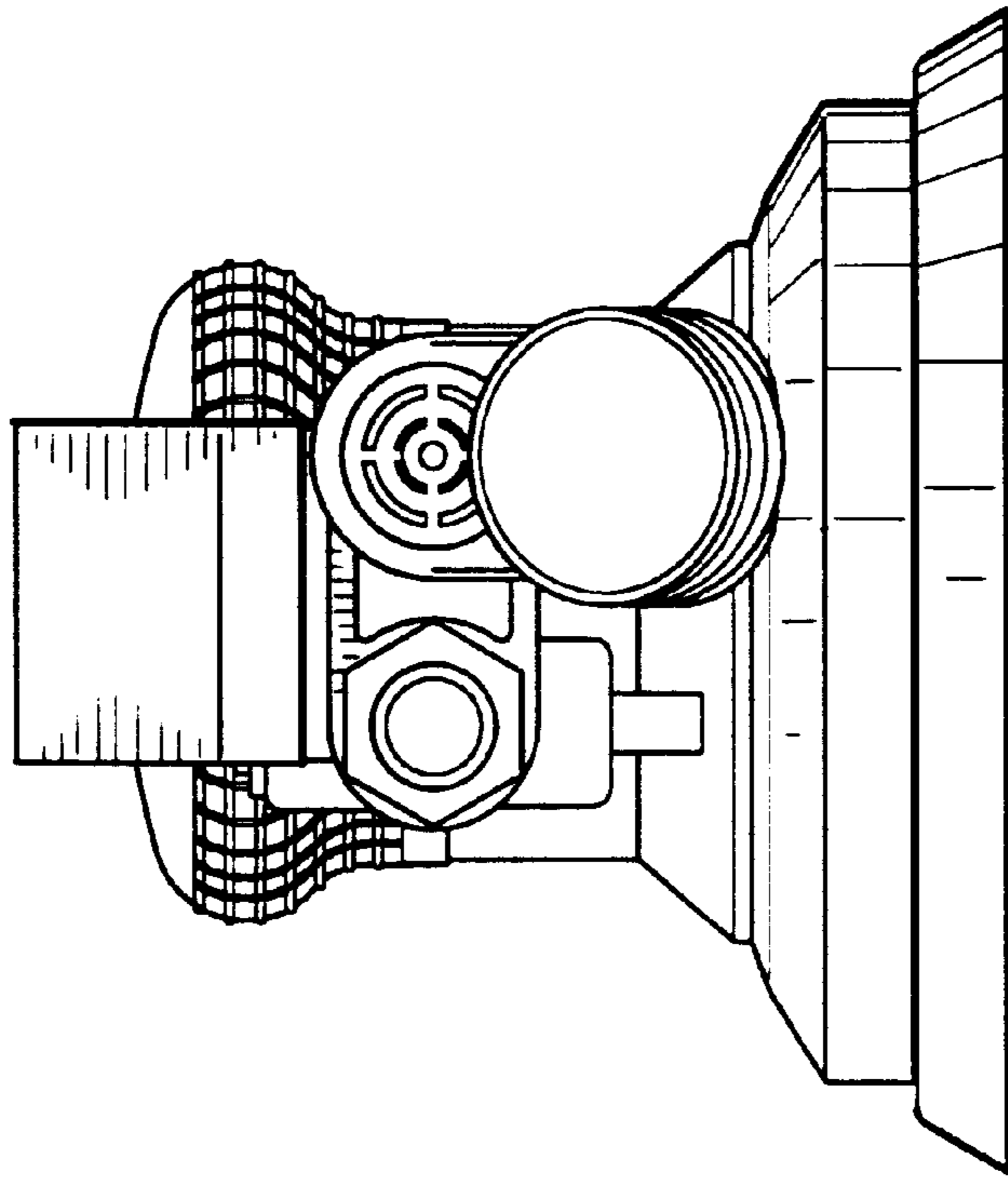


FIG. 5

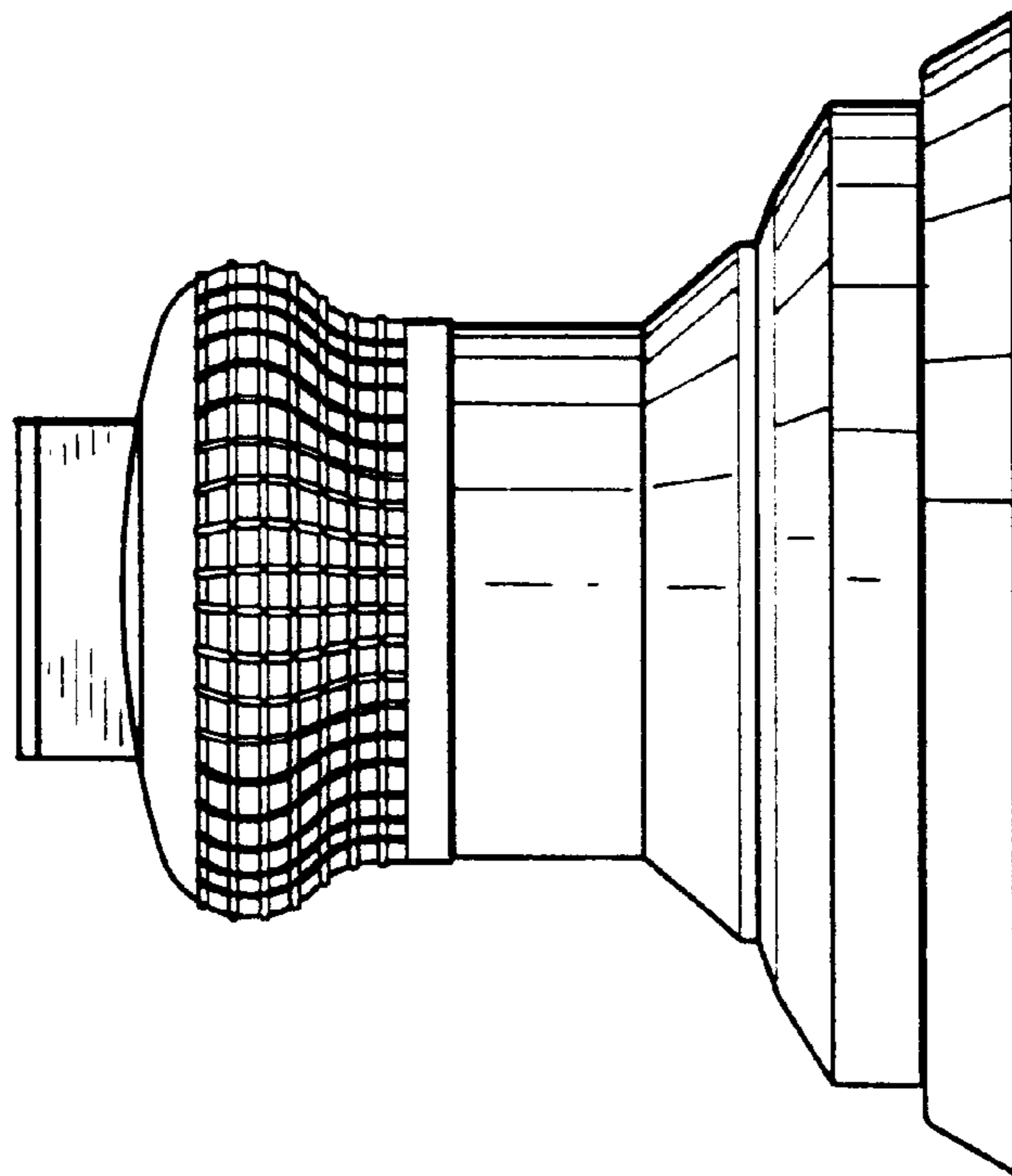


FIG. 4

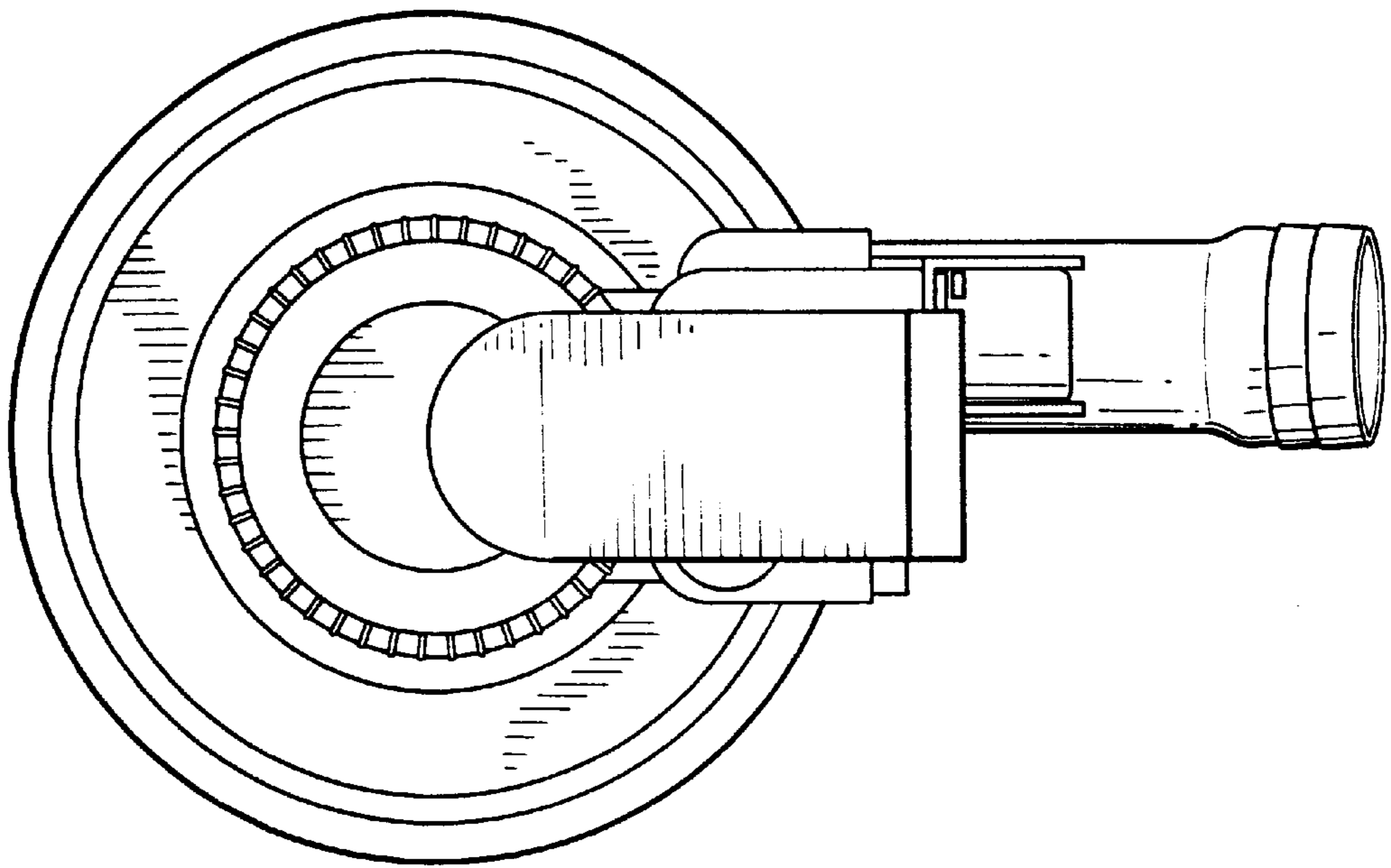


FIG. 6

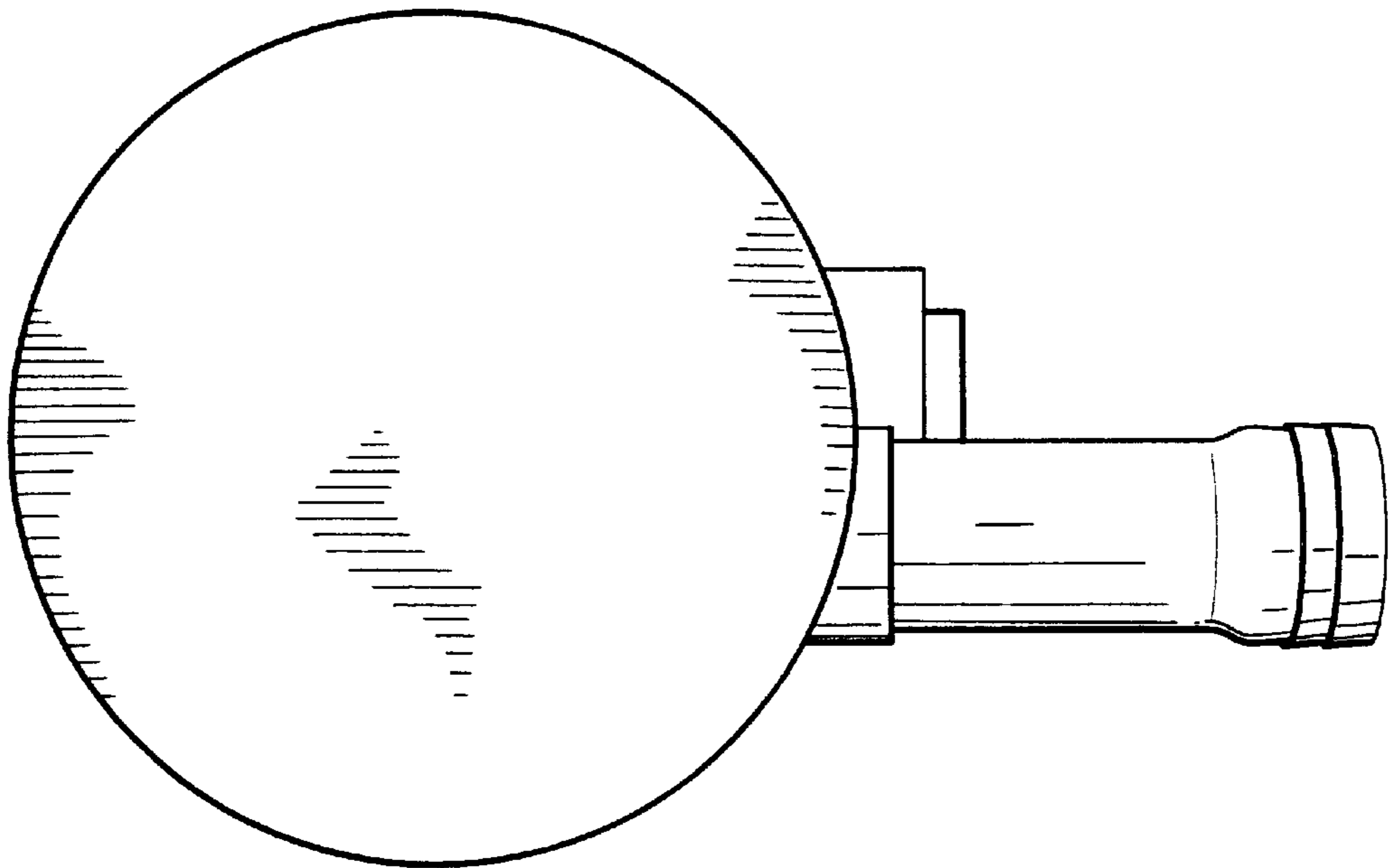


FIG. 7