



US00D438076S

(12) **United States Design Patent**
Wikle et al.

(10) **Patent No.:** **US D438,076 S**

(45) **Date of Patent:** **** Feb. 27, 2001**

(54) **DRYWALL CUTOUT TOOL**

(75) Inventors: **David L. Wikle**, Dallastown, PA (US);
Stuart J. Wright, Timonium, MD (US)

(73) Assignee: **Black & Decker Inc.**, Newark, DE
(US)

(**) Term: **14 Years**

(21) Appl. No.: **29/122,994**

(22) Filed: **May 8, 2000**

(51) **LOC (7) Cl.** **08-05**

(52) **U.S. Cl.** **D8/61**

(58) **Field of Search** D8/61-70; 81/57.11,
81/474, 54, 57.42; 173/170, 182, 217, 48,
273; 451/358, 359; 30/391, 390; 15/3.53;
310/50; 418/270; 409/182

3,786,845 * 1/1974 States 81/57.42
4,878,404 11/1989 Liao .
5,653,033 * 8/1997 McDowell 30/390
5,829,931 * 11/1998 Doumani 409/182

FOREIGN PATENT DOCUMENTS

M8904666 7/1989 (DE) .
M9002386 10/1989 (DE) .
DM/018 146 11/1990 (XH) .
DM/018 539 1/1991 (XH) .
DM/042 229 12/1997 (XH) .

* cited by examiner

Primary Examiner—Jeffrey Asch

(74) *Attorney, Agent, or Firm*—Michael P. Leary; Bruce S. Shapiro

(57) **CLAIM**

The ornamental design for a drywall cutout tool, as shown and described.

(56) **References Cited**

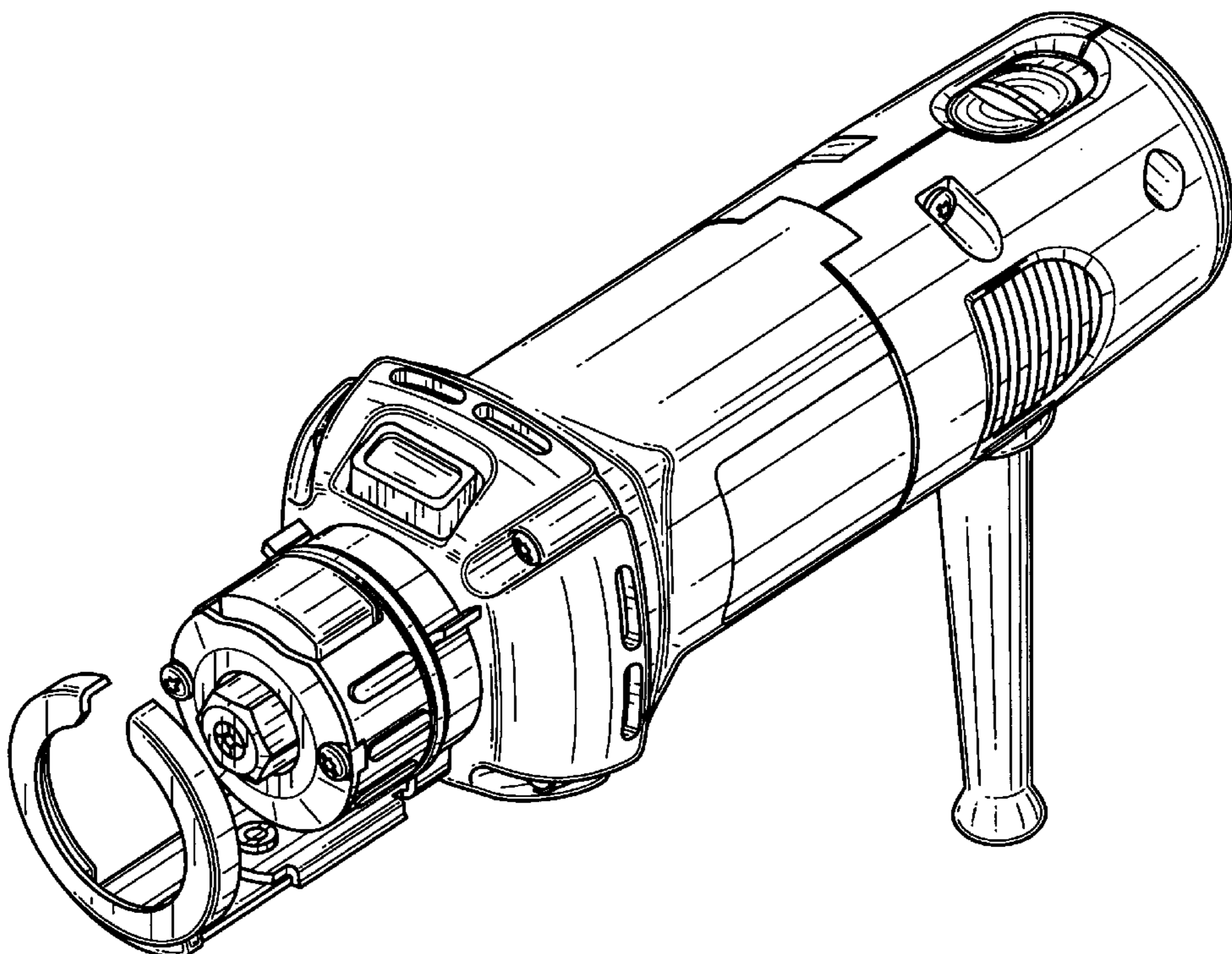
U.S. PATENT DOCUMENTS

- D. 310,160 8/1990 Patel .
- D. 310,470 * 9/1990 Tohdoh D8/62
- D. 320,540 * 10/1991 Staubitz et al. D8/61
- D. 364,790 12/1995 Duennes .
- D. 374,159 10/1996 Chiang .
- D. 376,083 12/1996 Verdura et al. .
- D. 378,727 4/1997 Kikuchi .
- D. 380,658 * 7/1997 Bruno et al. D8/61
- D. 391,820 * 3/1998 Bunyea D8/61
- D. 423,897 * 5/2000 Cooper D8/61
- D. 427,040 * 6/2000 Heun D8/61
- D. 427,870 * 7/2000 Heun D8/61

DESCRIPTION

FIG. 1 is a front perspective view taken from the left side of a drywall cutout tool showing our new design. FIG. 2 is a left side elevational view thereof. FIG. 3 is a right side elevational view thereof. FIG. 4 is a top plan view thereof. FIG. 5 is a bottom plan view thereof. FIG. 6 is a rear elevational view thereof; and, FIG. 7 is a front elevational view thereof. The broken line showing in FIG. 5 is for illustrative purposes only and forms no part of the claimed design.

1 Claim, 6 Drawing Sheets



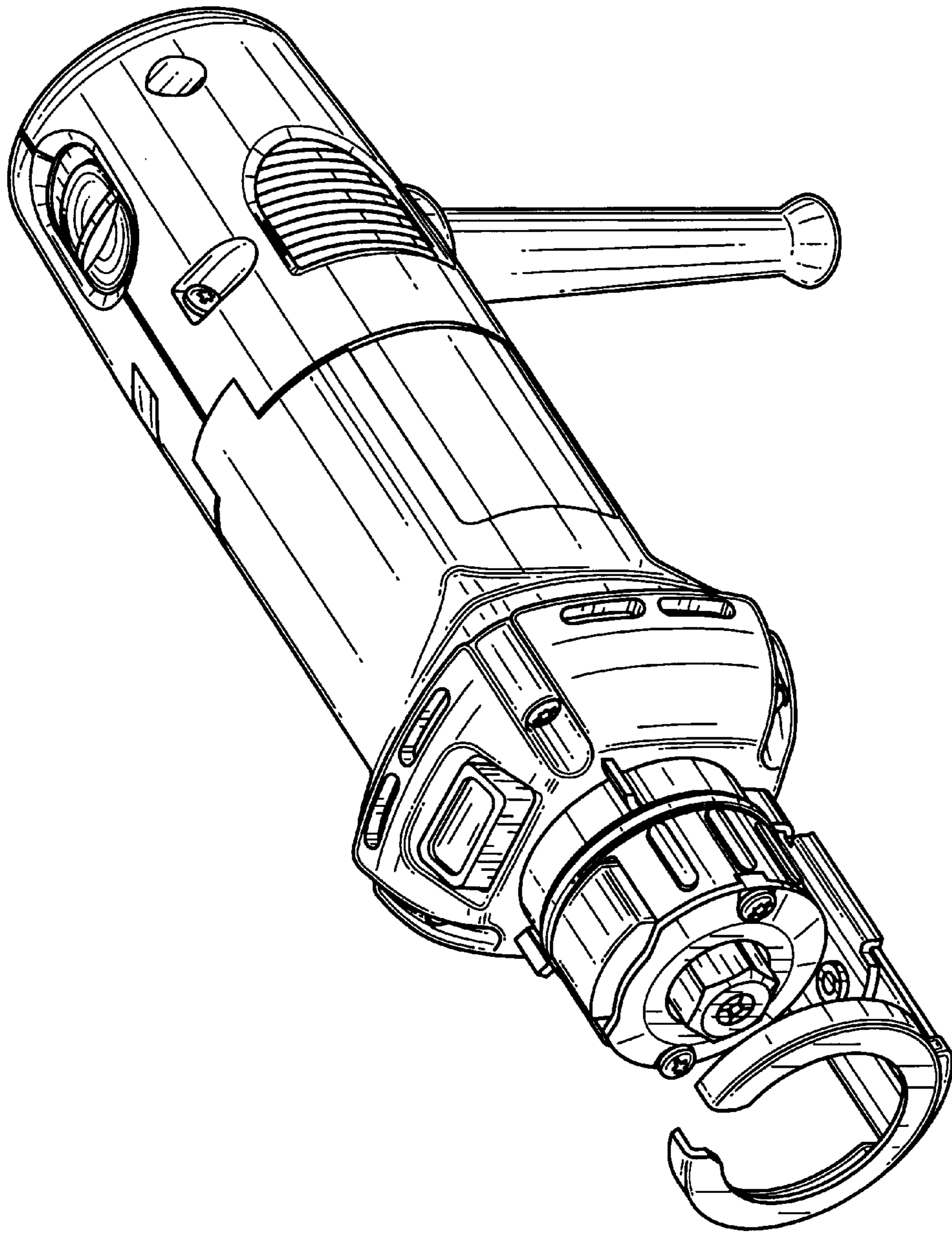


FIG. 1

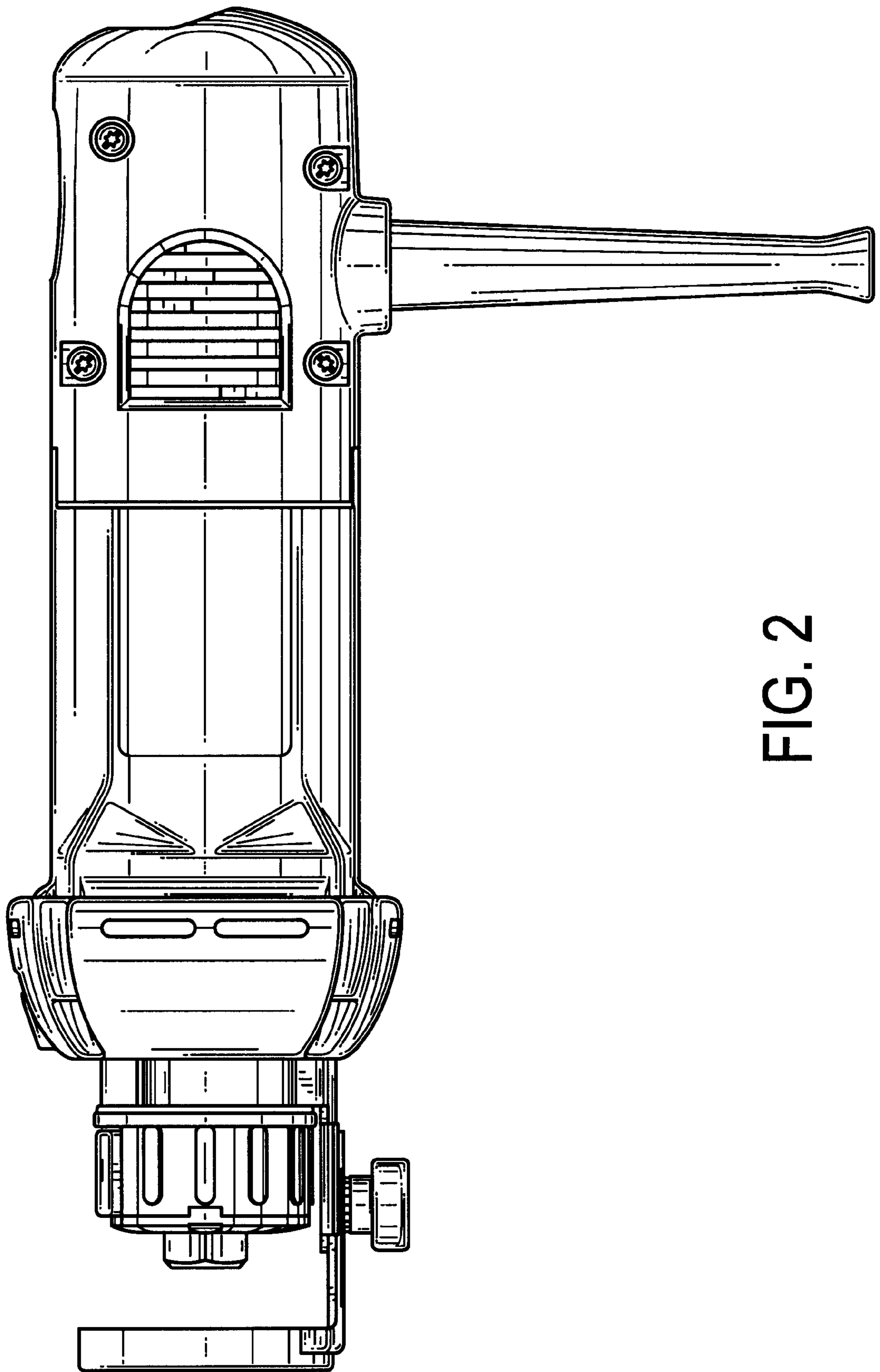


FIG. 2

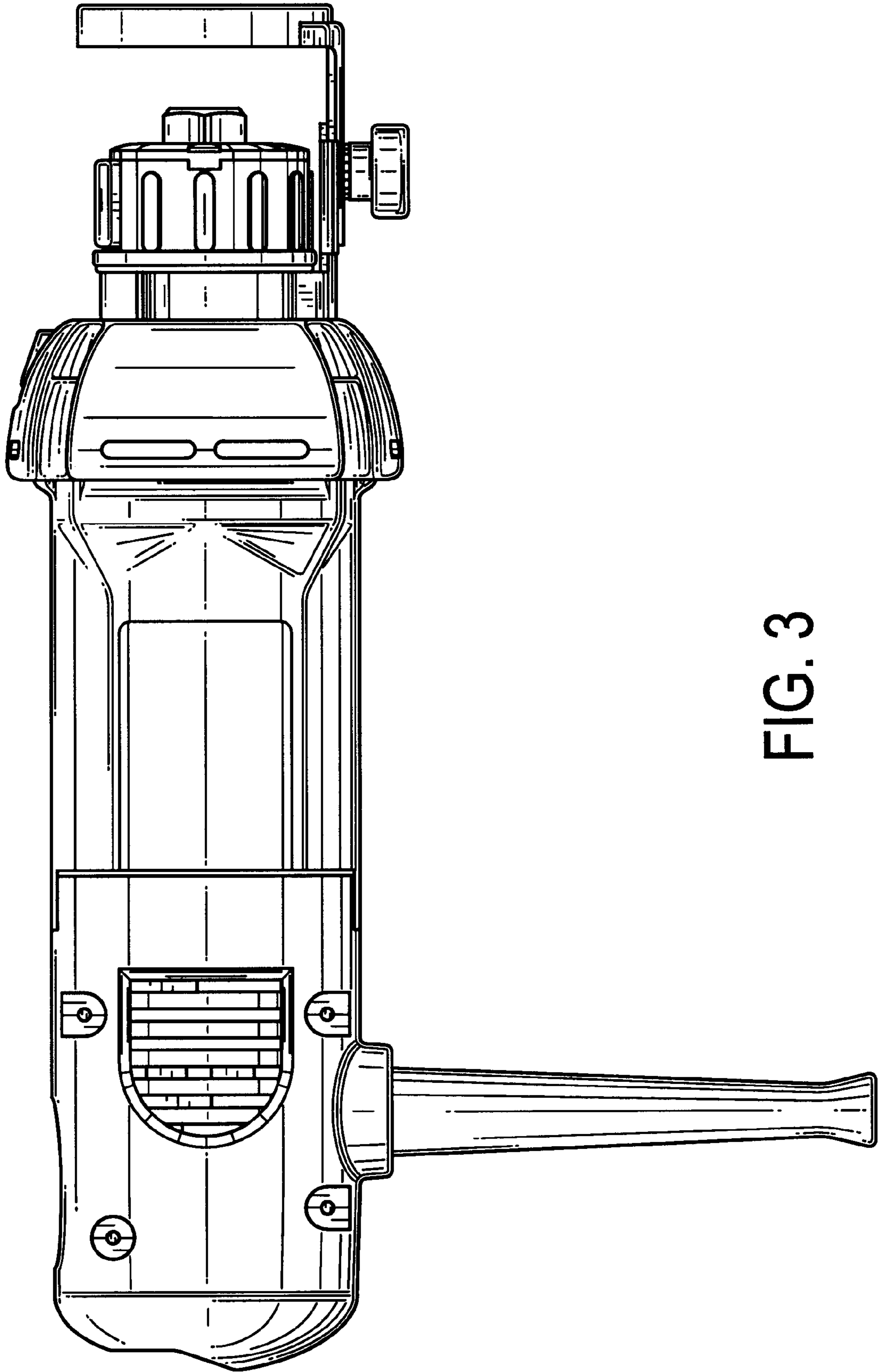


FIG. 3

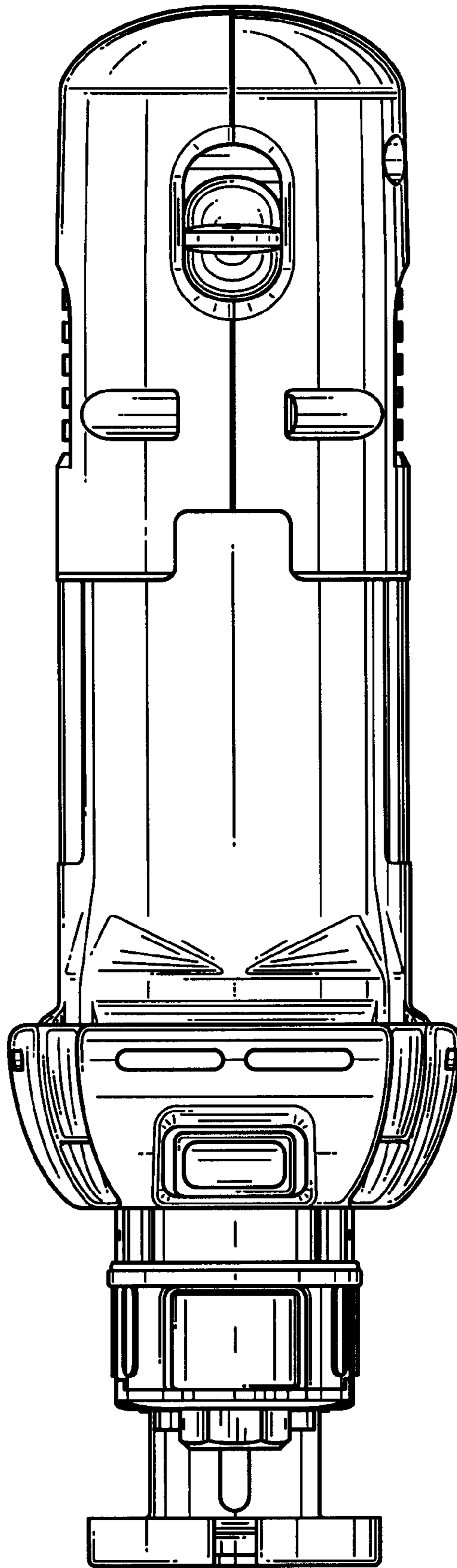


FIG. 4

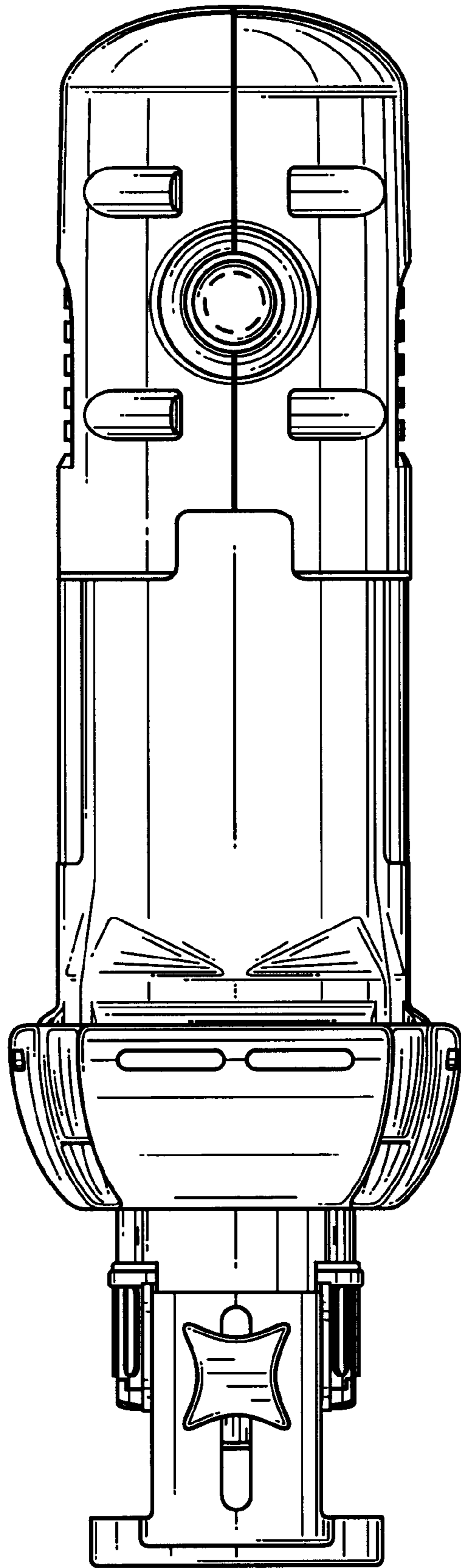


FIG. 5

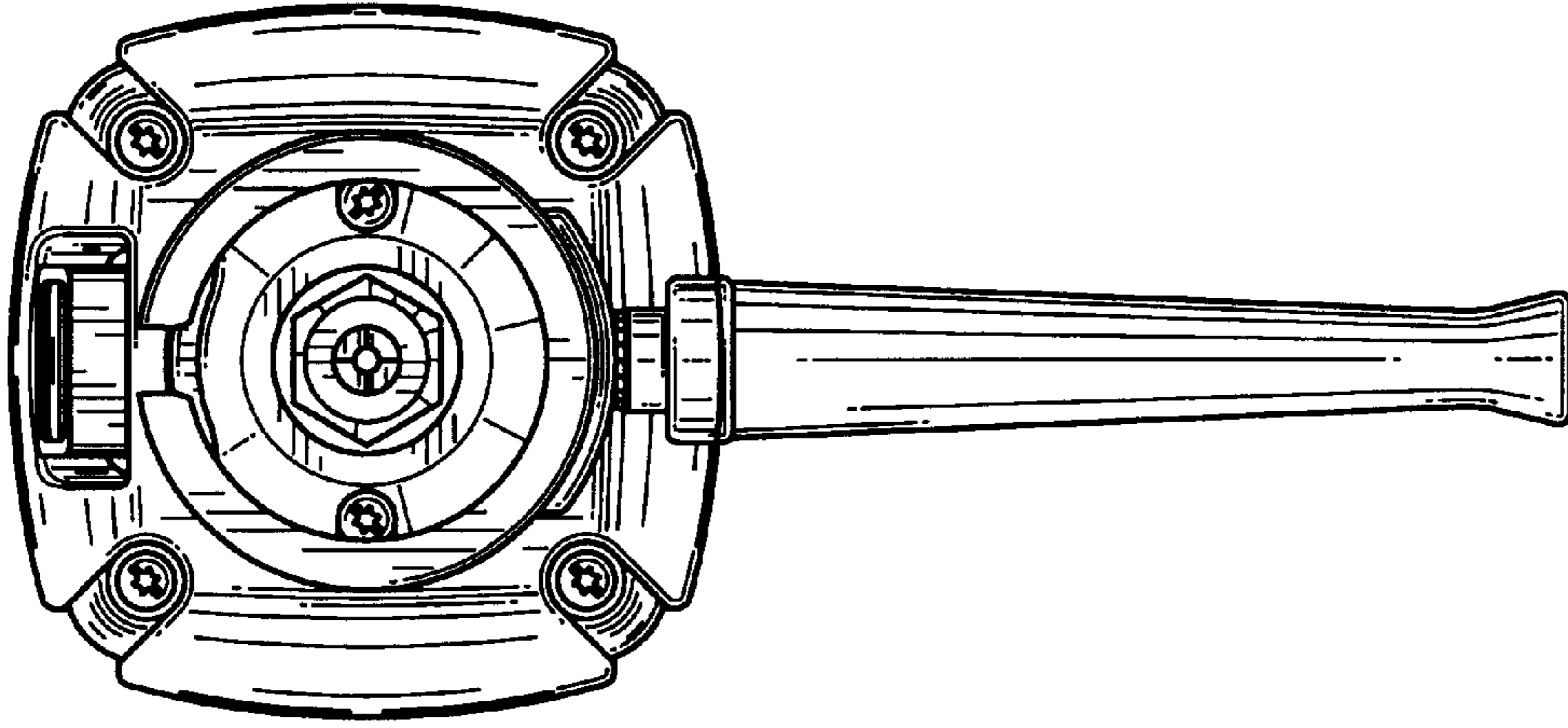


FIG. 7

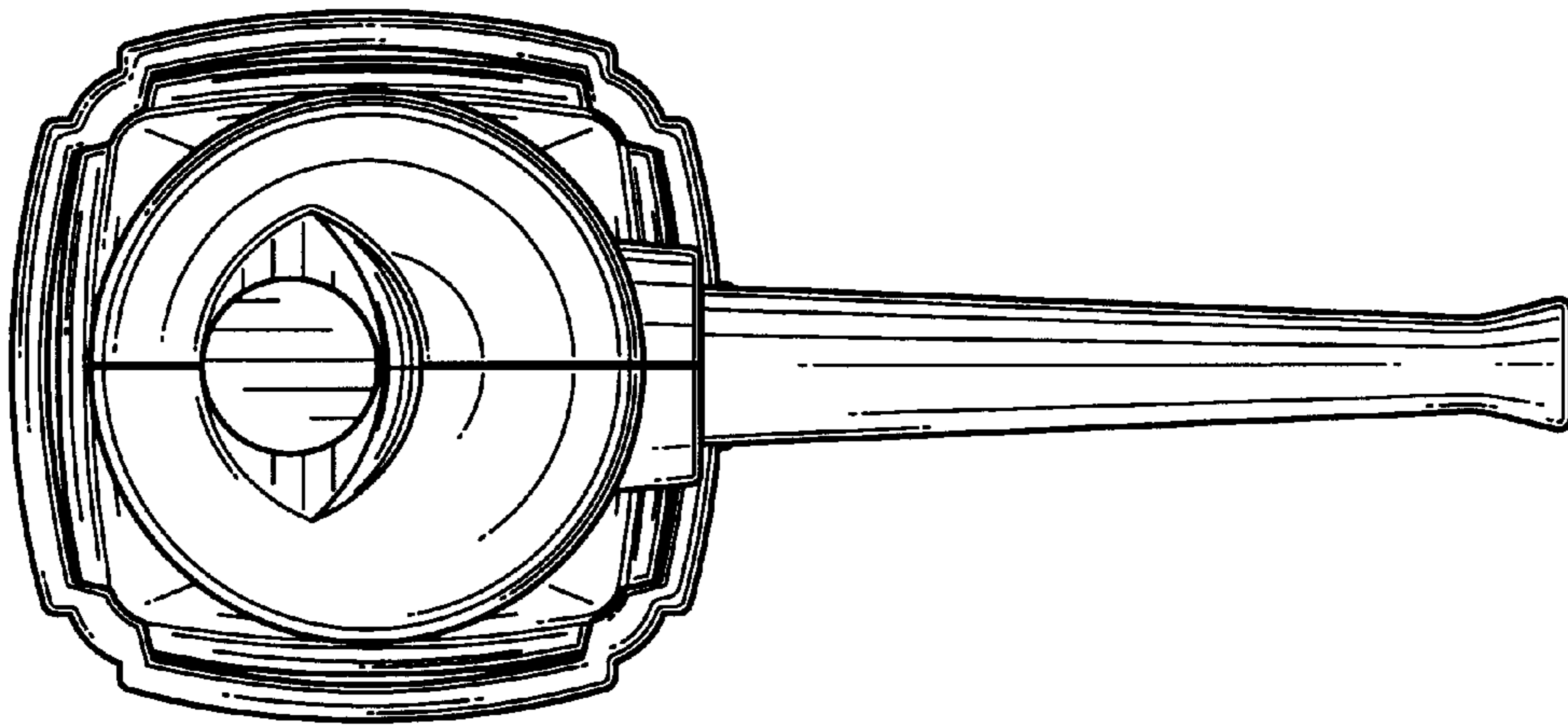


FIG. 6