



US00D438074S

(12) **United States Design Patent**  
**Marr et al.**

(10) **Patent No.:** **US D438,074 S**

(45) **Date of Patent:** **\*\* Feb. 27, 2001**

(54) **TAP SOCKET**

(76) Inventors: **Donald E Marr; Kim Choals**, both of  
81 Quarterline, P.O. Box 112, Newaygo,  
MI (US) 49337

(\*\*) Term: **14 Years**

3,745,861	*	7/1973	Totsu et al. ....	81/125
4,087,195		5/1978	Wood .	
4,385,534		5/1983	Nichols .	
4,799,832		1/1989	Abbott .	
4,938,106	*	7/1990	Roberts .....	81/55
4,947,713	*	8/1990	Arnold .....	81/121.1
5,079,978	*	1/1992	Kupfer .....	81/119
5,213,347		5/1993	Rulon et al. .	

(21) Appl. No.: **29/111,379**

\* cited by examiner

(22) Filed: **Sep. 24, 1999**

*Primary Examiner*—Prabhakar Deshmukh

(51) **LOC (7) Cl.** ..... **08-05**

(52) **U.S. Cl.** ..... **D8/29**

(58) **Field of Search** ..... D8/14, 21-29,  
D8/349, 82, 83, 87; 81/121.1, 124.6, 125,  
124.5, 55, 124.7, 52, 14, 177.1, 177.2,  
184

(57) **CLAIM**

The ornamental design for a tap socket, as shown and described.

(56) **References Cited**

**DESCRIPTION**

**U.S. PATENT DOCUMENTS**

D. 246,415	11/1977	Critcher .	
D. 250,167	* 11/1978	D'Oporto .....	D8/29
D. 381,247	* 7/1997	Zayat, Jr. ....	D8/29
D. 409,062	* 5/1999	Braley .....	D8/29
D. 411,723	* 6/1999	Lamerrill .....	D8/29
3,475,999	* 11/1969	Roberts et al. ....	81/63
3,668,951	* 6/1972	Talmage .....	81/124.6
3,738,768	6/1973	Kuhn .	

FIG. 1 is a front elevational view of the tap socket of the present invention; the rear, left and right side elevational view being substantially identical thereof;

FIG. 2 is a top plan view of the tap socket of FIG. 1;

FIG. 3 is a bottom plan view of the tap socket of FIG. 1; and,

FIG. 4 is a cross-sectional view of the tap socket taken along line 4-4 of FIG. 2.

The broken lines are for illustrative purpose only and forms no part of the claimed design.

**1 Claim, 2 Drawing Sheets**

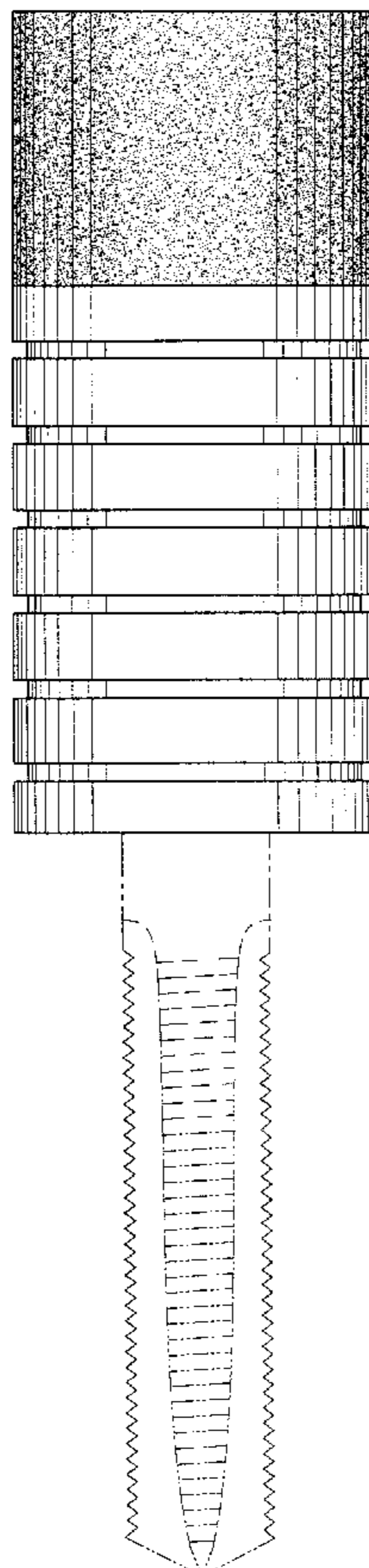


FIG. 1

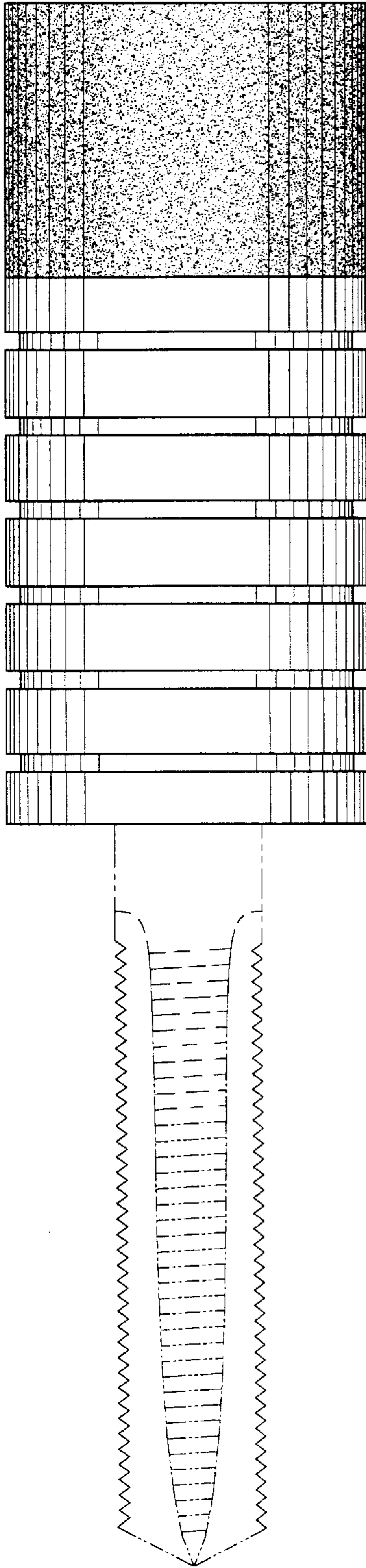


FIG. 2

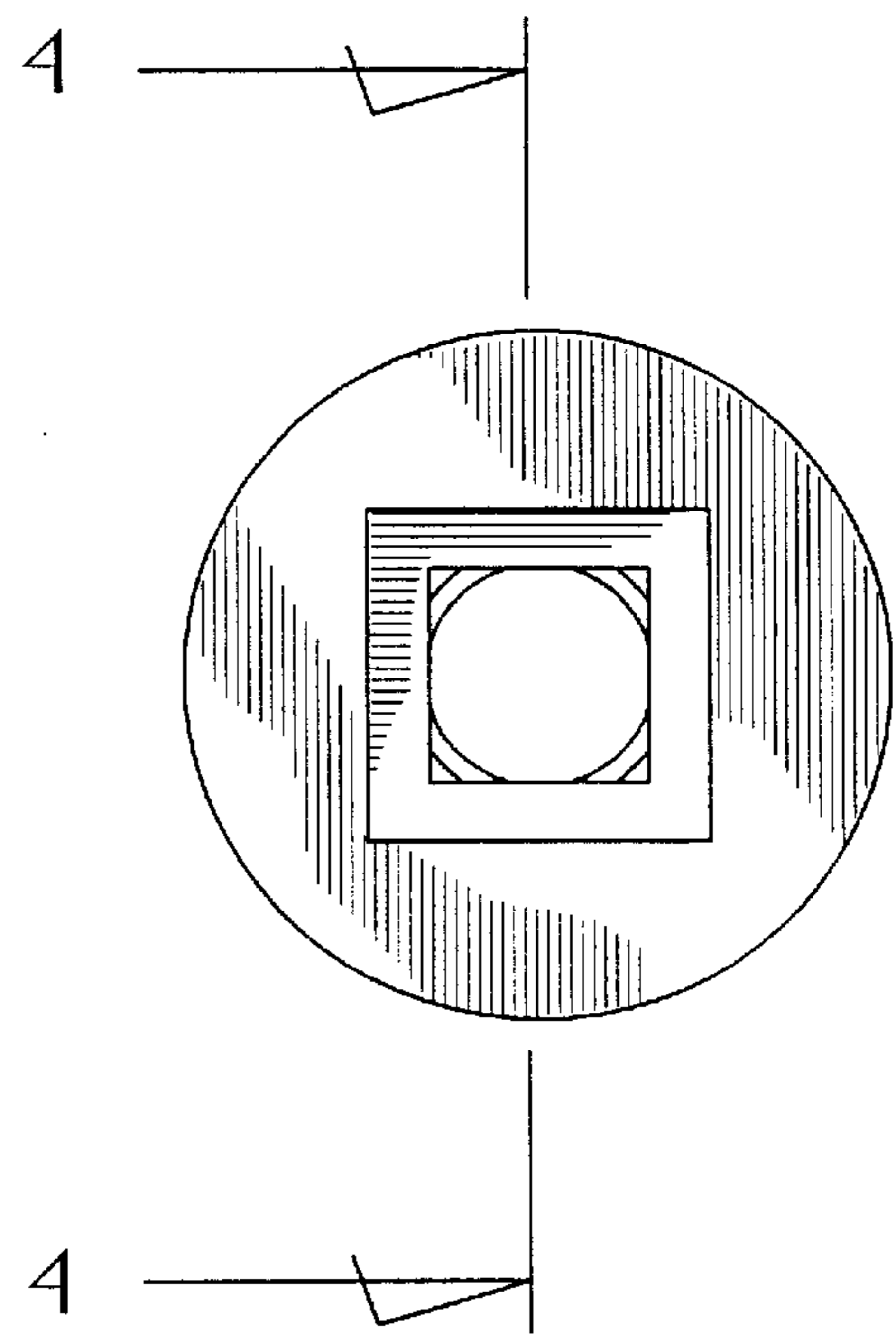


FIG. 3

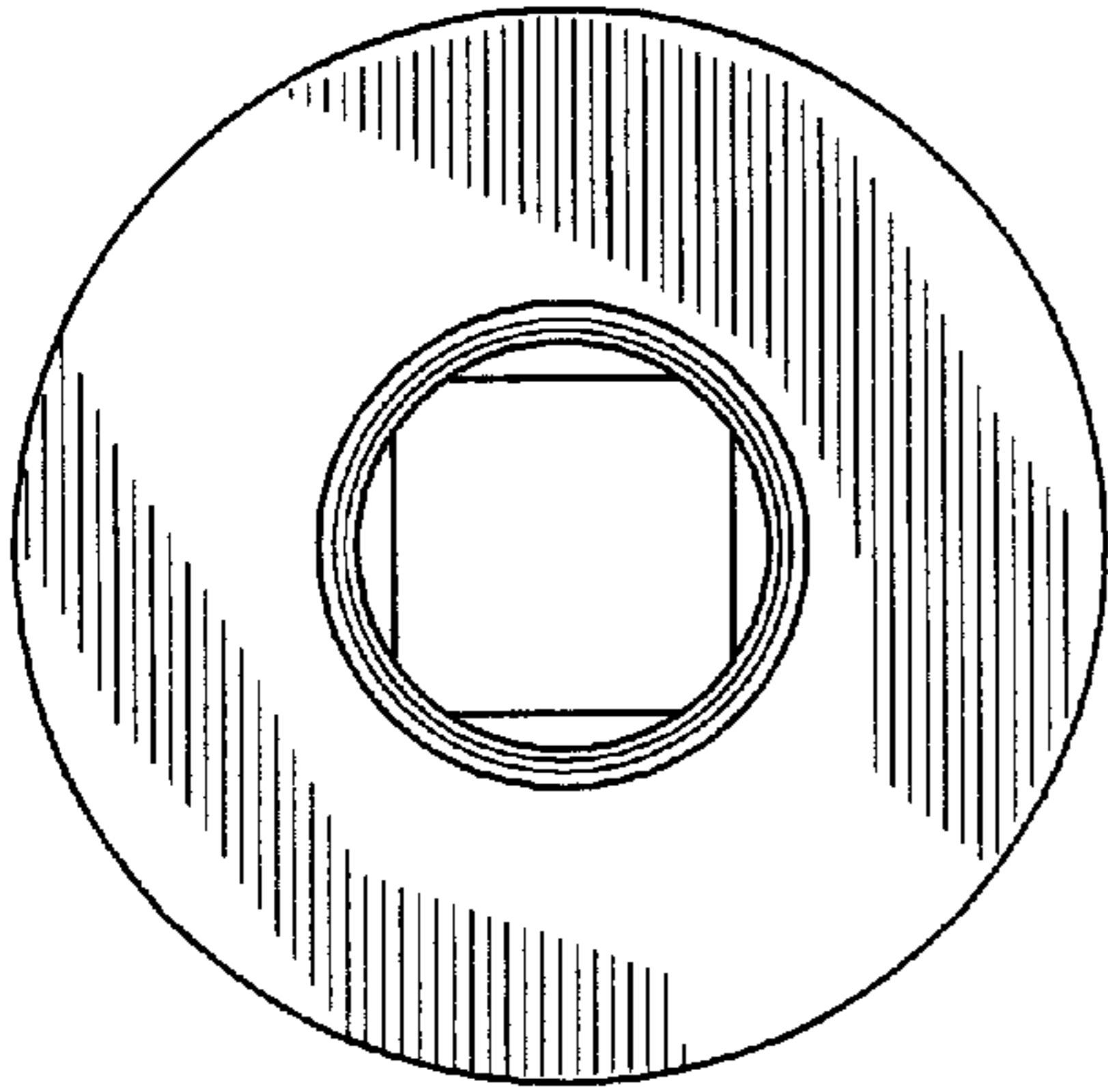


FIG. 4

