



US00D438072S

(12) **United States Design Patent**  
**Karlsson**

(10) **Patent No.: US D438,072 S**

(45) **Date of Patent: \*\* Feb. 27, 2001**

(54) **HAND TOOL FOR REMOVING GASKETS AND REMAINS THEREOF**

(75) Inventor: **Kent Karlsson, Fjärås (SE)**

(73) Assignee: **Motordesign Sweden AB, Fjärås (SE)**

(\* ) Notice: This patent is subject to a terminal disclaimer.

(\*\* ) Term: **14 Years**

(21) Appl. No.: **29/091,688**

(22) Filed: **Aug. 4, 1998**

(30) **Foreign Application Priority Data**

Feb. 4, 1998 (SE) ..... 98-0259

(51) **LOC (7) Cl. .... 08-05**

(52) **U.S. Cl. .... D8/14; D32/48; D32/49**

(58) **Field of Search .... D8/14, 20; 29/235, 29/270, 278; D32/40, 46, 49; 15/236.01; 30/169**

(56) **References Cited**

**U.S. PATENT DOCUMENTS**

- D. 26,063 \* 9/1896 Whiting ..... D8/14 X
- 111,952 \* 2/1871 Locke ..... 30/169 X
- D. 304,892 \* 12/1989 Bevilacqua ..... D8/14 X
- D. 308,433 \* 6/1990 Longman ..... D32/49

- D. 359,209 \* 6/1995 Carey ..... D8/20
- 670,120 \* 3/1901 Tuyl ..... 30/169 X
- 718,534 \* 1/1903 Shedd ..... D32/49 X
- 2,599,193 \* 6/1952 Morris ..... 30/169 X
- 4,213,216 \* 7/1980 Strybel ..... 29/235 X
- 5,665,169 \* 9/1997 Lisle ..... 15/236.01 X

**OTHER PUBLICATIONS**

Brookstone Hard to Find Tools catalog, p. 65, Shavehook, Sep. 1980.\*

\* cited by examiner

*Primary Examiner*—Ted Shooman

*Assistant Examiner*—Richelle Shelton

(74) *Attorney, Agent, or Firm*—Orum & Roth

(57) **CLAIM**

The ornamental design for the hand tool for removing gaskets and remains thereof, as shown.

**DESCRIPTION**

FIG. 1 is a bottom perspective view of a hand tool for removing gaskets and remains thereof showing my new design;

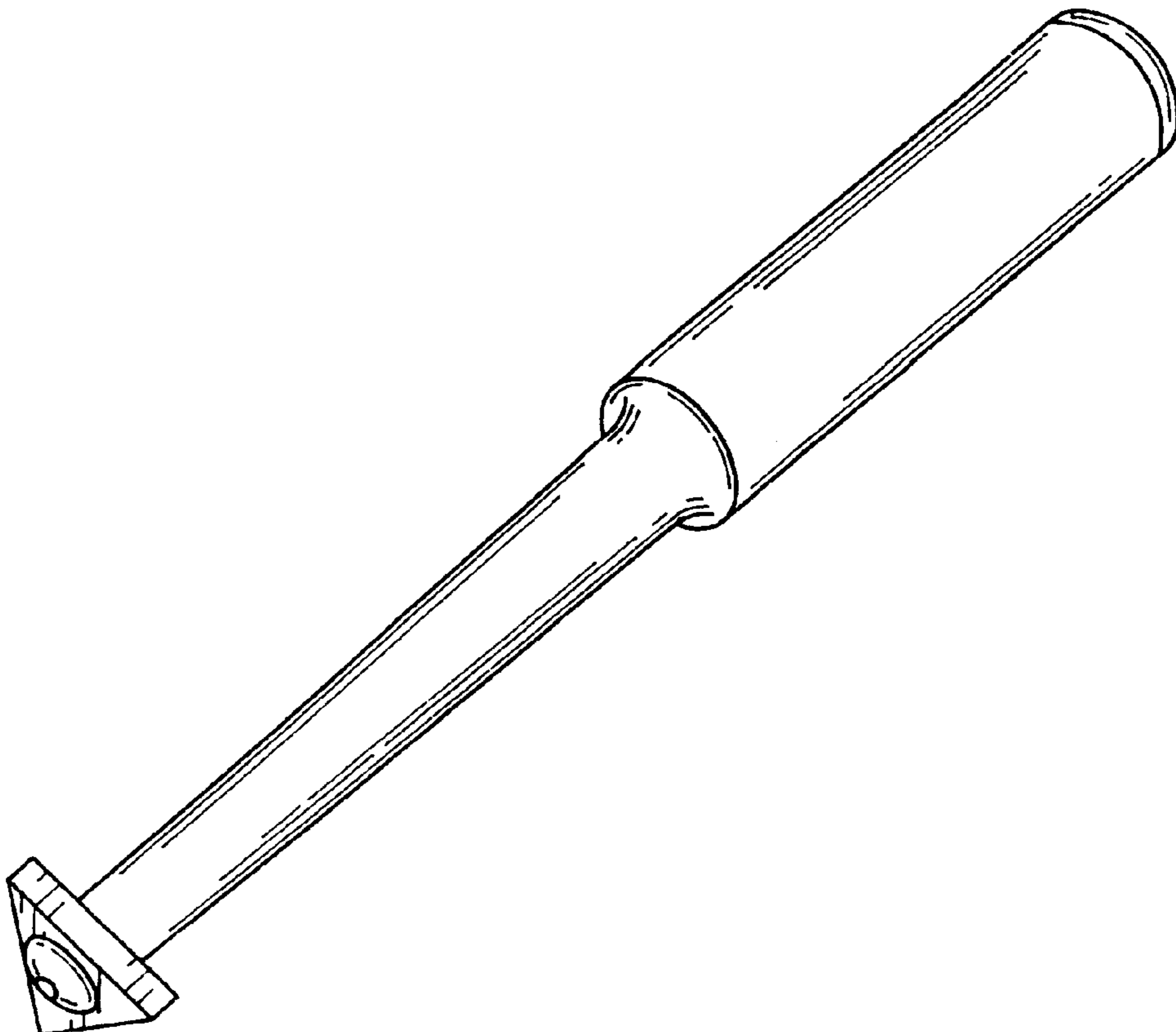
FIG. 2 is a front elevational view, the rear elevational view being a mirror image;

FIG. 3 is an end view;

FIG. 4 is a top plan view; and,

FIG. 5 is an opposite end view.

**1 Claim, 1 Drawing Sheet**



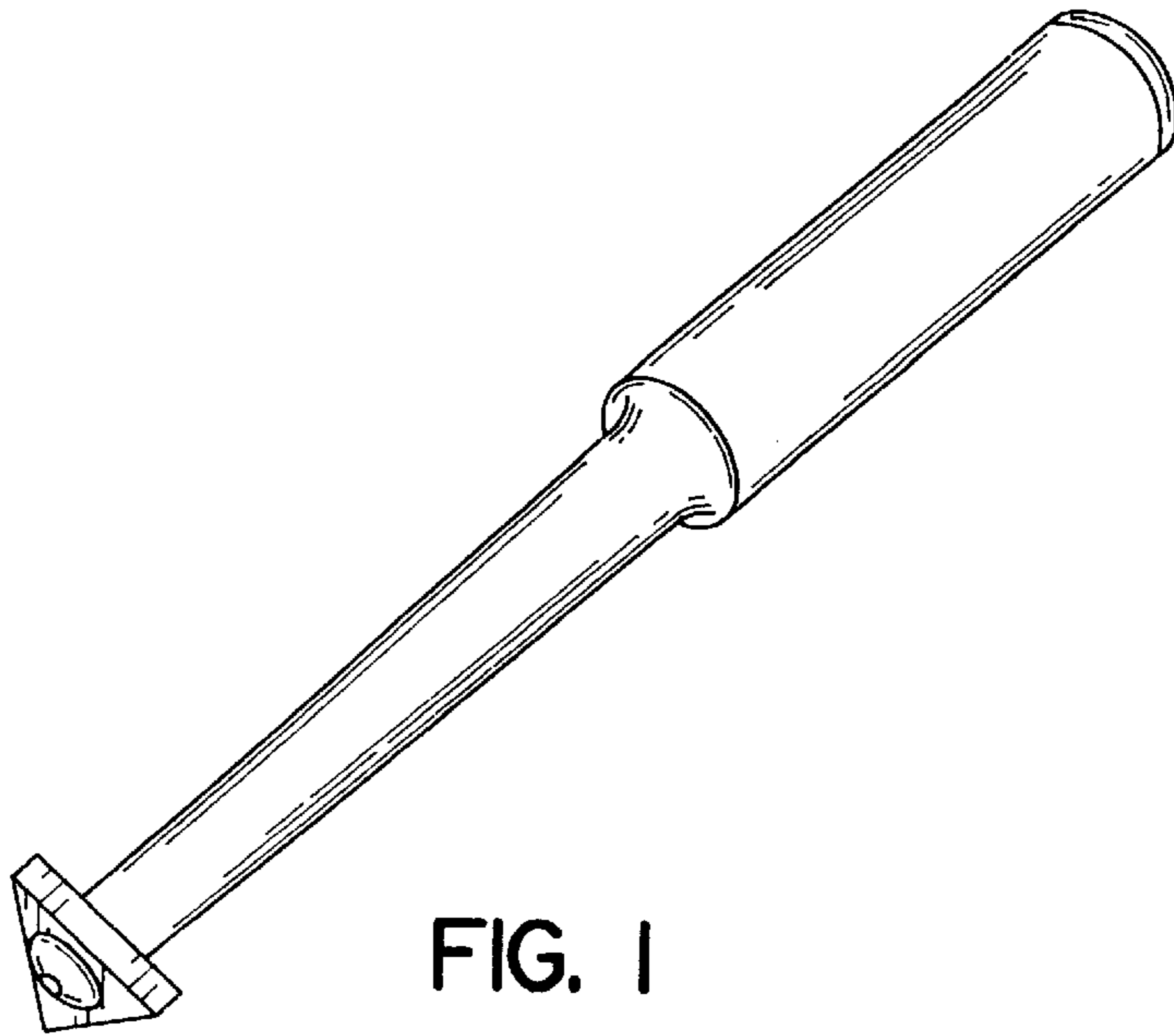


FIG. 1

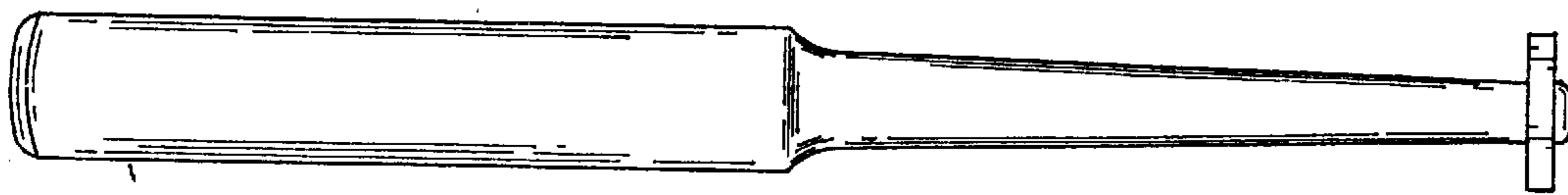


FIG. 2



FIG. 5

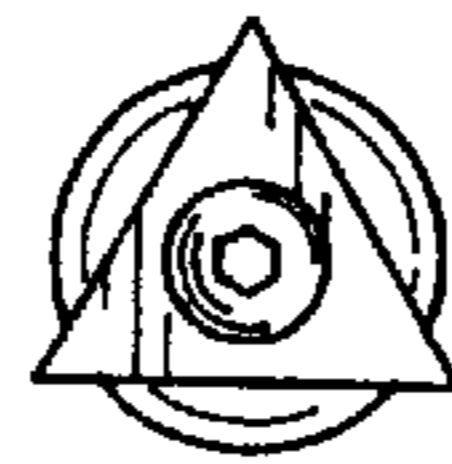


FIG. 3

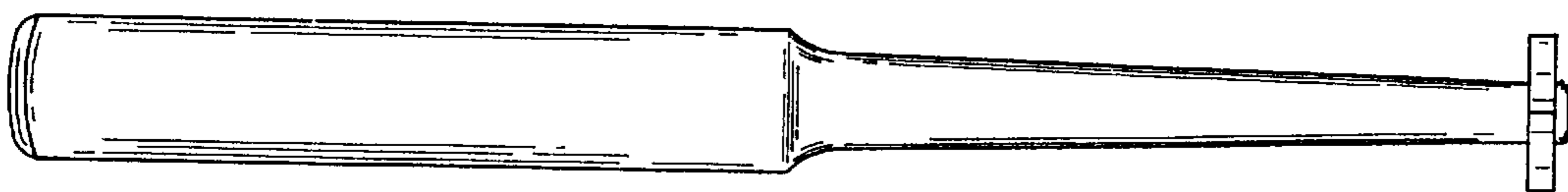


FIG. 4