



US00D438066S

(12) **United States Design Patent**
Beach et al.

(10) **Patent No.:** **US D438,066 S**

(45) **Date of Patent:** **** Feb. 27, 2001**

(54) **LIDDED CONTAINER**

(75) Inventors: **Marshall Beach; Jeff Calvert; Bill Auty; John Diment; Audrey Morris**, all of Lancashire; **Keith Rick**, Bristol; **Peter Payne**, Middlesex; **Russell Waite**, Cumbria, all of (GB)

(73) Assignee: **Cannon Hygiene Limited**, Lancashire (GB)

(**) Term: **14 Years**

(21) Appl. No.: **29/112,309**

(22) Filed: **Oct. 13, 1999**

(30) **Foreign Application Priority Data**

Aug. 21, 1999 (GB) 2086070
Aug. 21, 1999 (GB) 2086071

(51) **LOC (7) Cl.** **07-01**

(52) **U.S. Cl.** **D7/629**

(58) **Field of Search** D7/601, 602, 612-615,
D7/629, 321-322; 220/810, 836, 837; 222/454,
456, 544

(56) **References Cited**

U.S. PATENT DOCUMENTS

D. 199,505 * 11/1964 Swett et al. D7/622

D. 284,728 * 7/1986 Trivison D7/629
D. 311,665 * 10/1990 Carlson D7/601
5,971,216 * 10/1999 Robbins, III 222/456

* cited by examiner

Primary Examiner—Terry A. Wallace

(74) *Attorney, Agent, or Firm*—Seidel, Gonda, Lavorgna & Monaco, PC

(57) **CLAIM**

We claim the ornamental design for a lidded container, as shown and described.

DESCRIPTION

FIG. 1 is a side view of a lidded container according to our new design (other side corresponds);

FIG. 2 is a plan view of the container shown in FIG. 1 looking in the direction of arrow-C;

FIG. 3 is a front view looking in the direction of arrow-A;

FIG. 4 is a rear view looking in the direction of arrow-B;

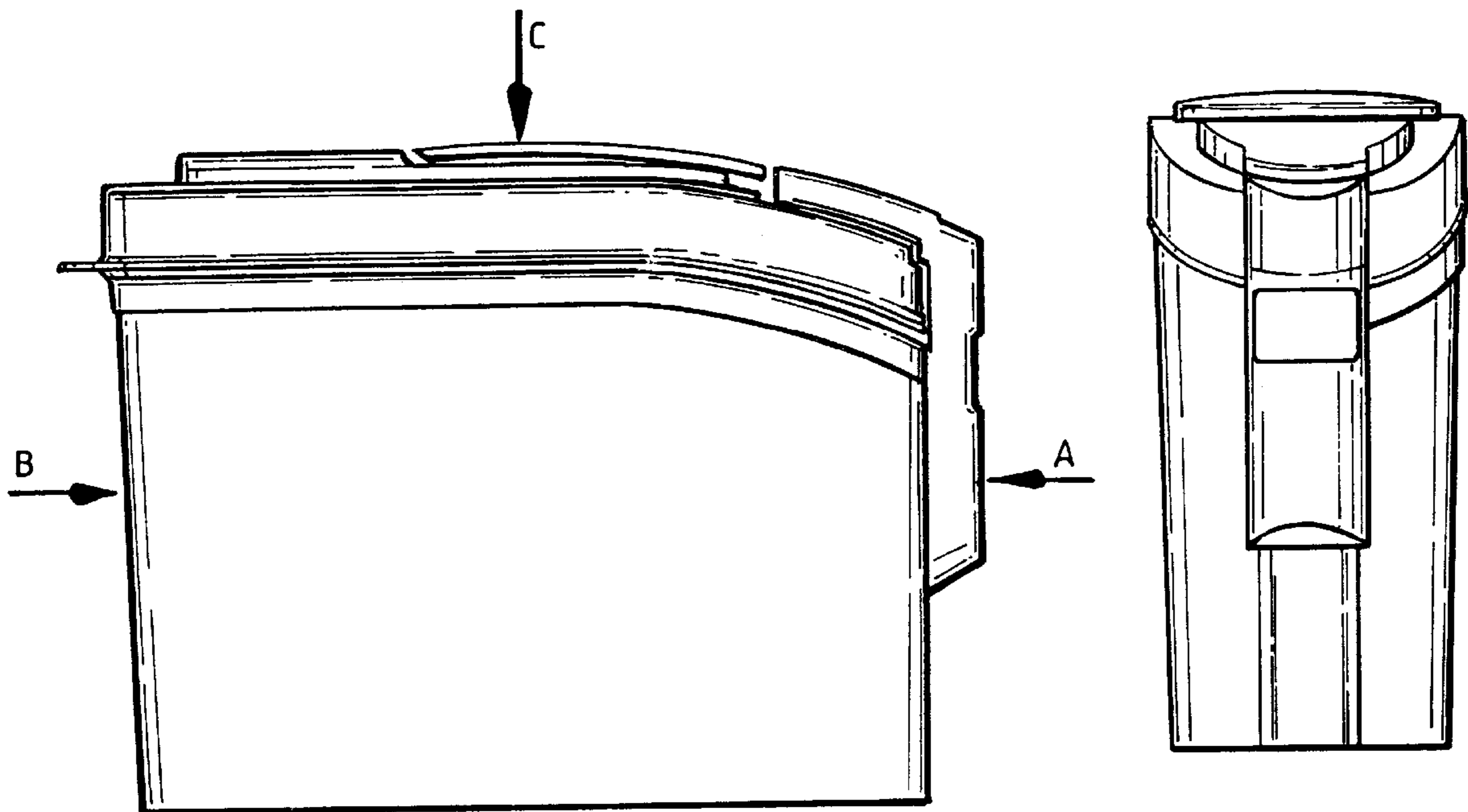
FIG. 5 is a side view of a second embodiment of our design of a lidded container (other side corresponds);

FIG. 6 is a plan view looking in the direction of arrow-D;

FIG. 7 is a front view looking in the direction of arrow-E; and,

FIG. 8 is a rear view looking in the direction of arrow-F.

1 Claim, 4 Drawing Sheets



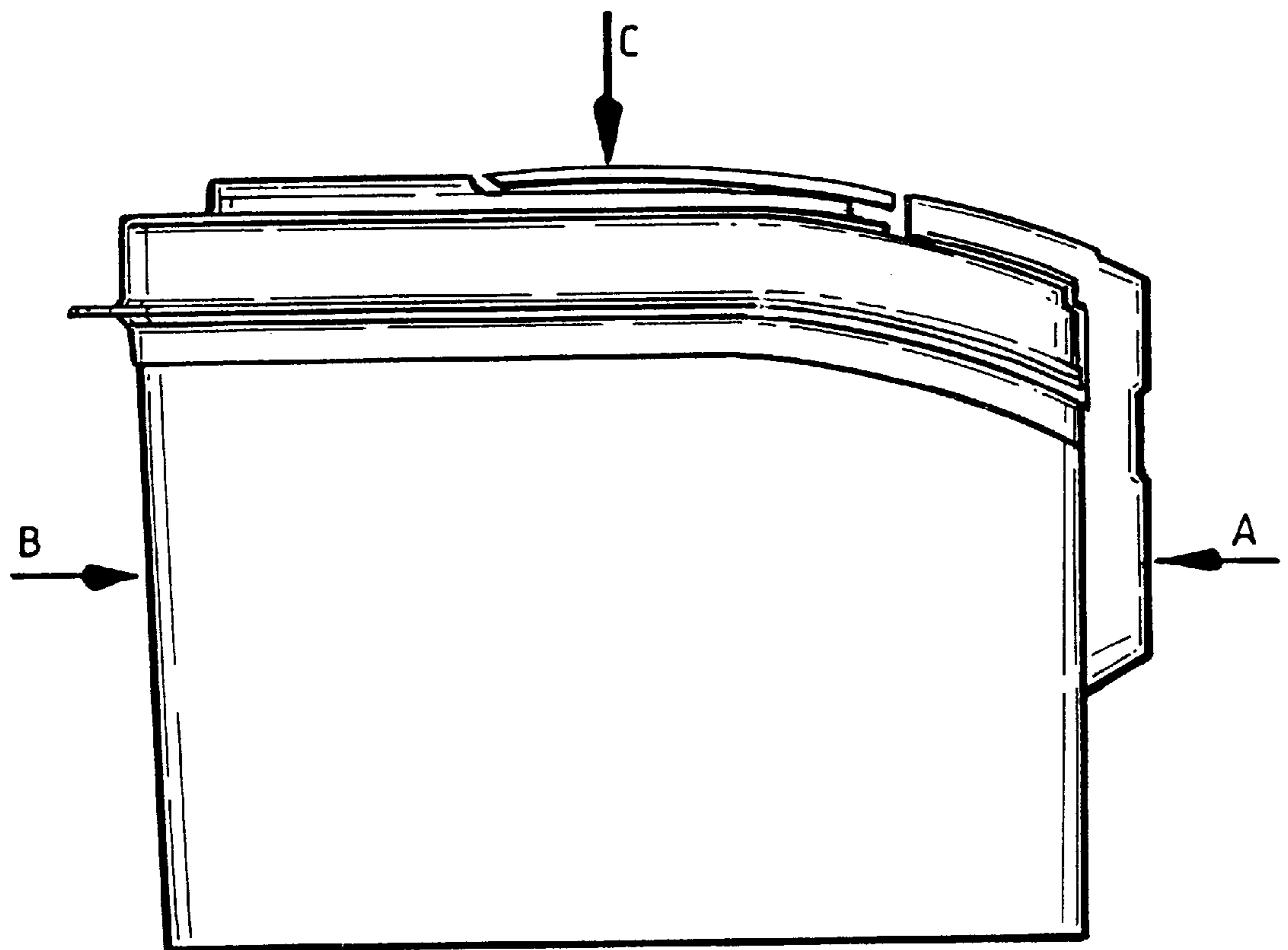


FIG. 1

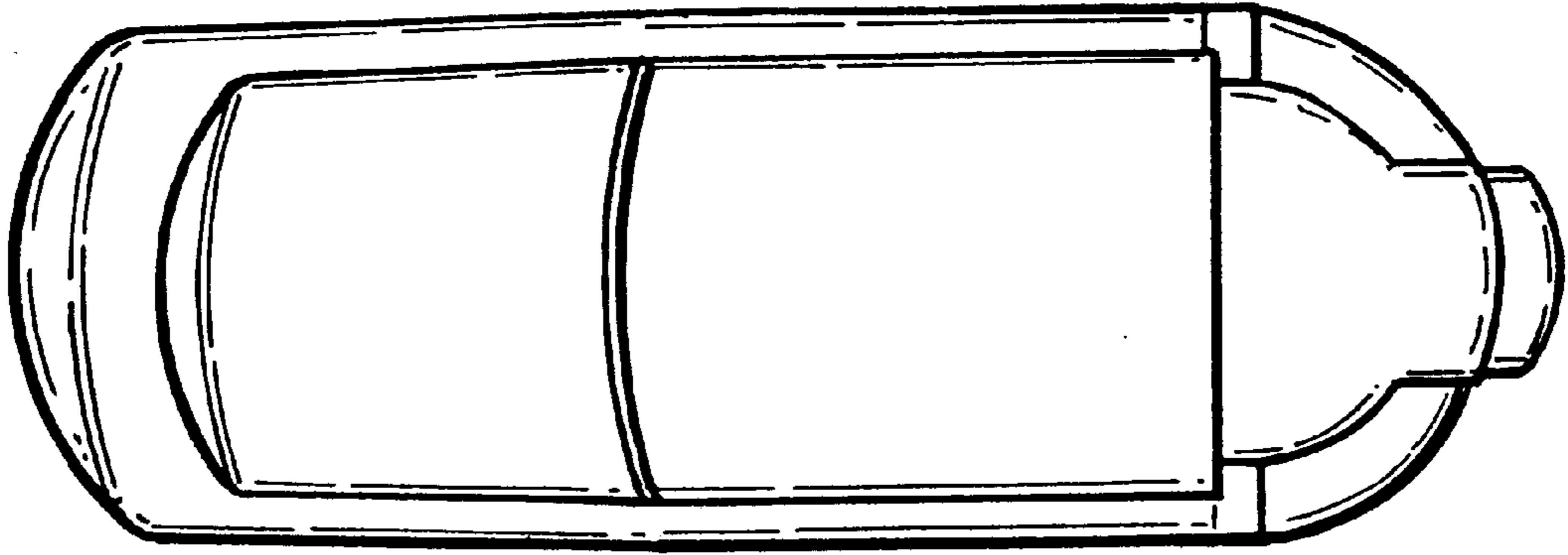


FIG. 2

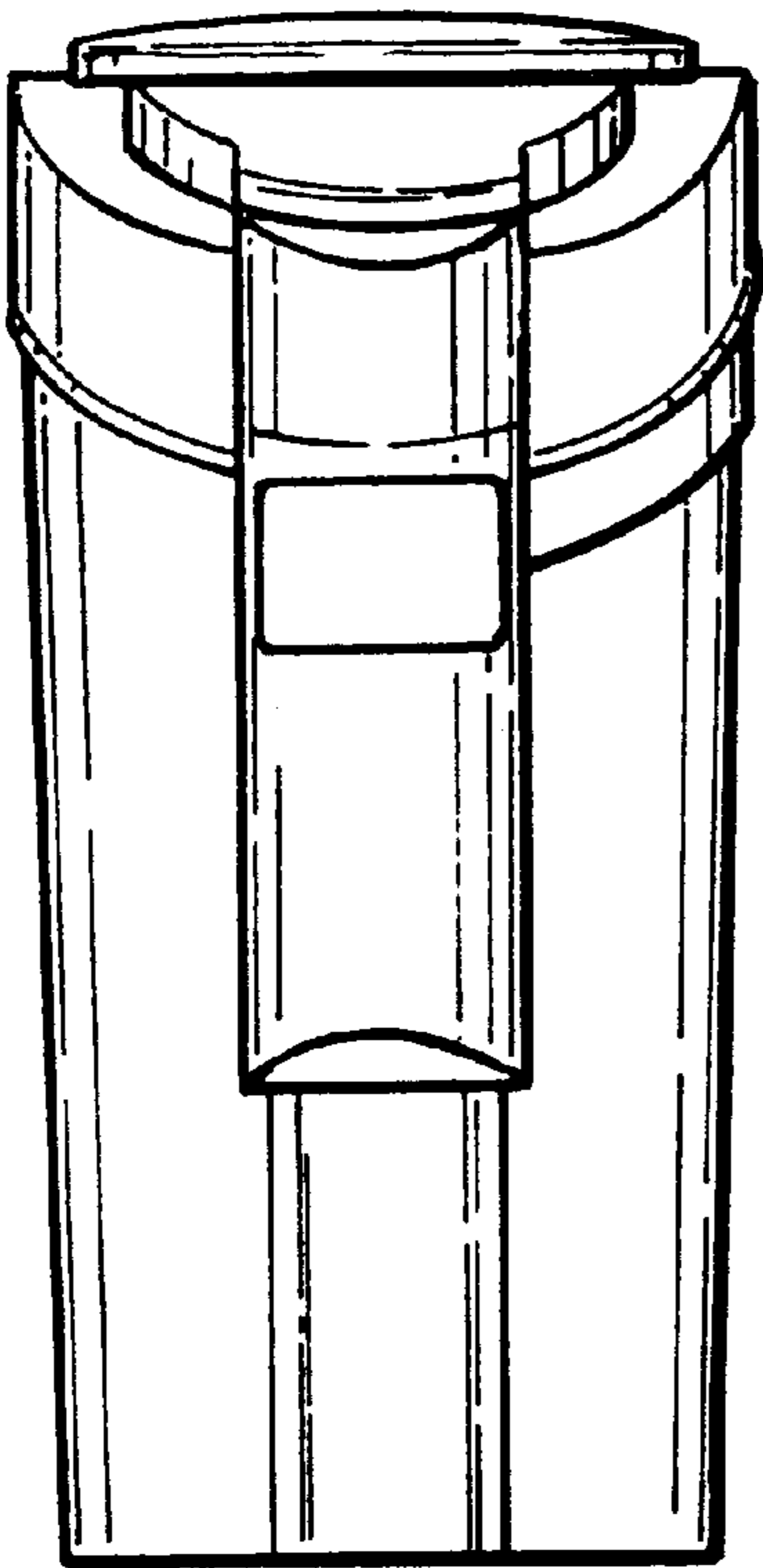


FIG. 3

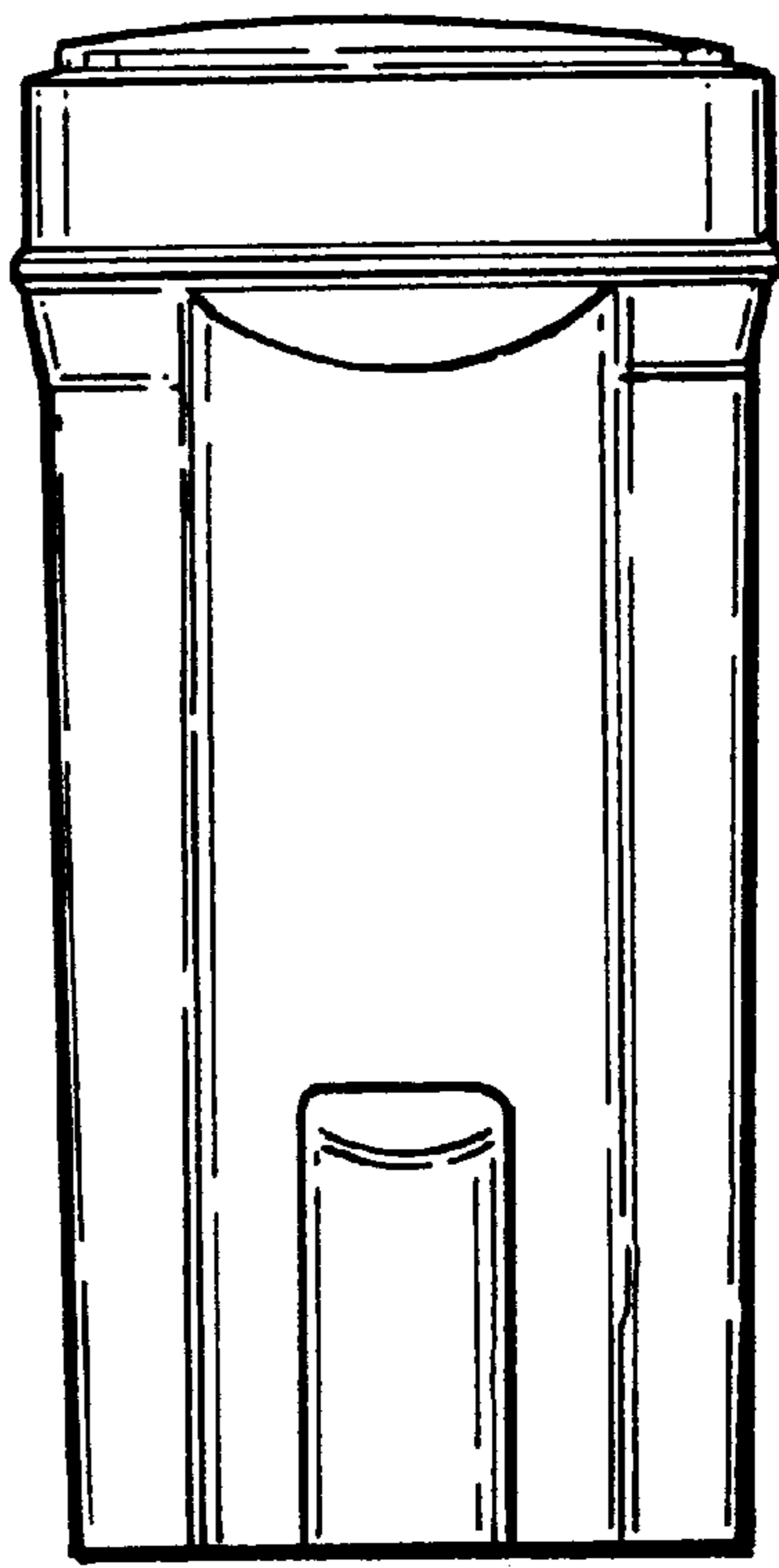


FIG. 4

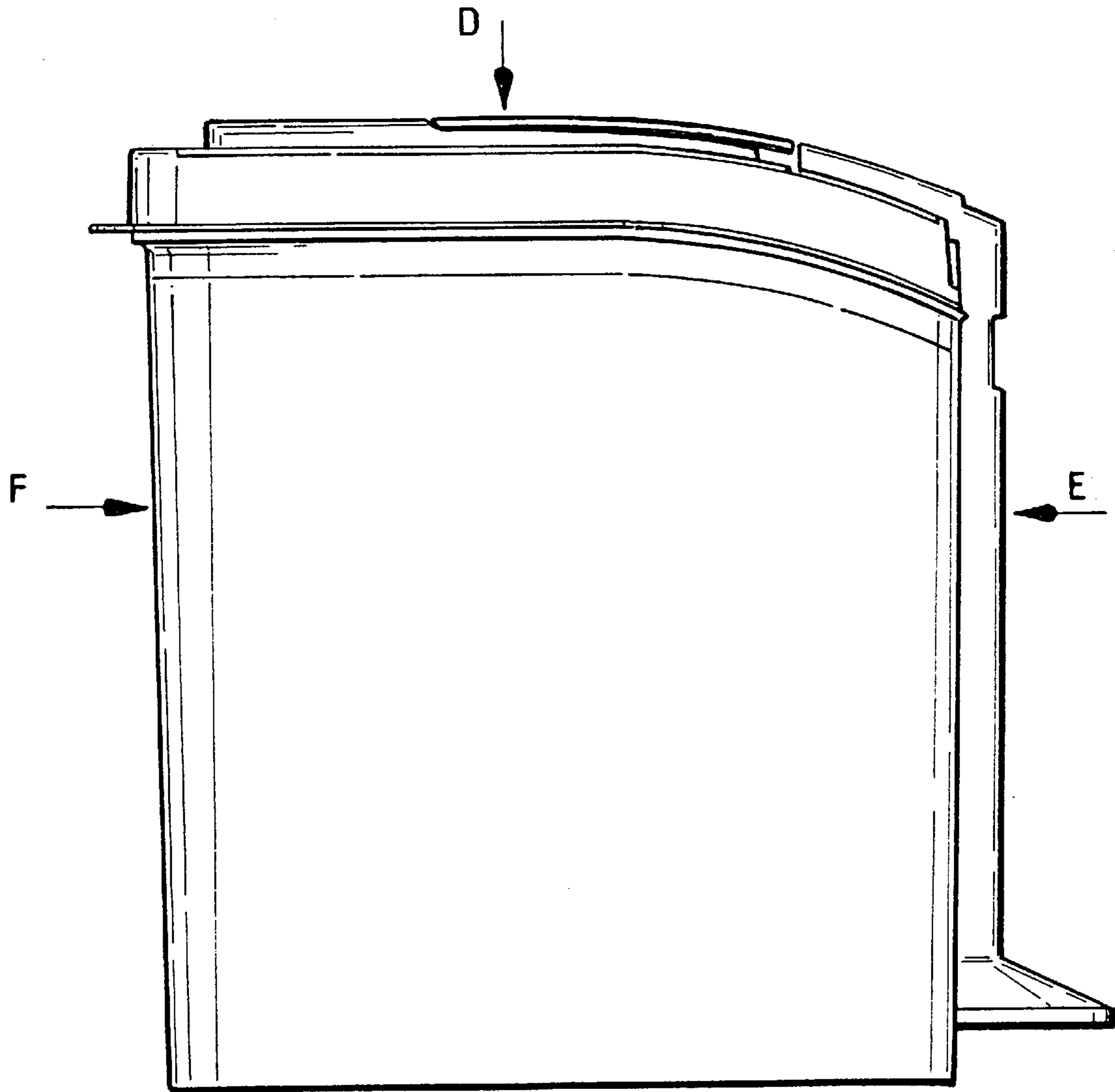


FIG. 5

FIG. 6

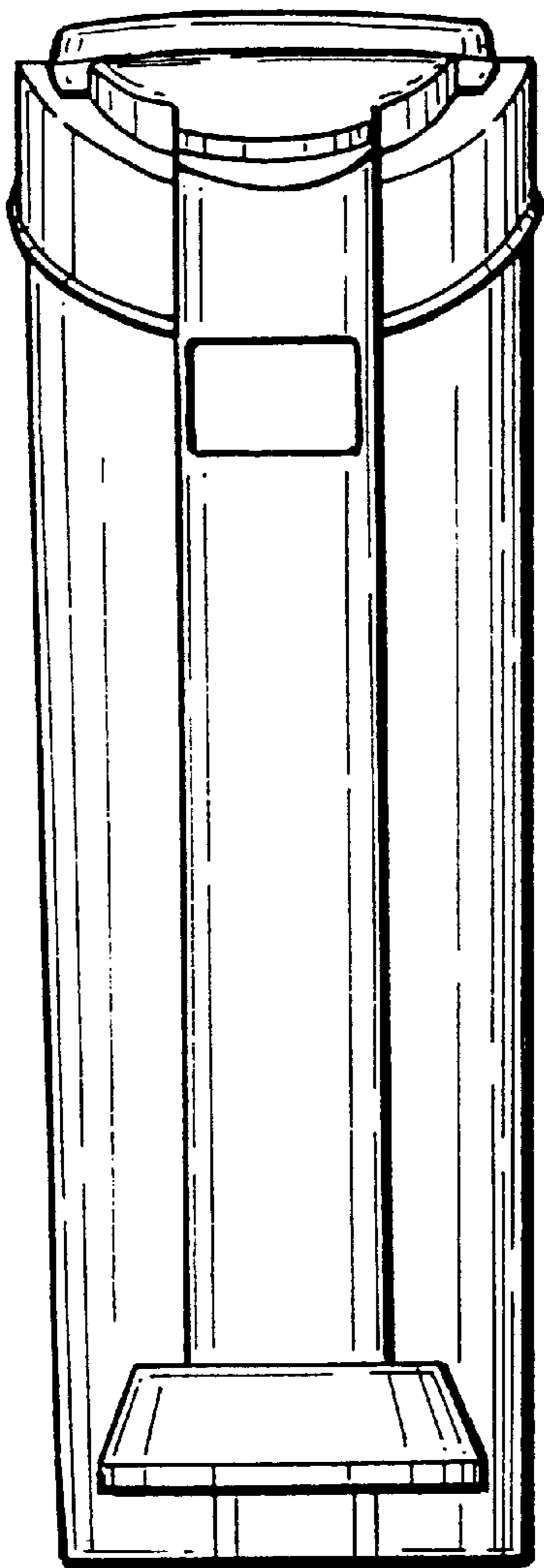
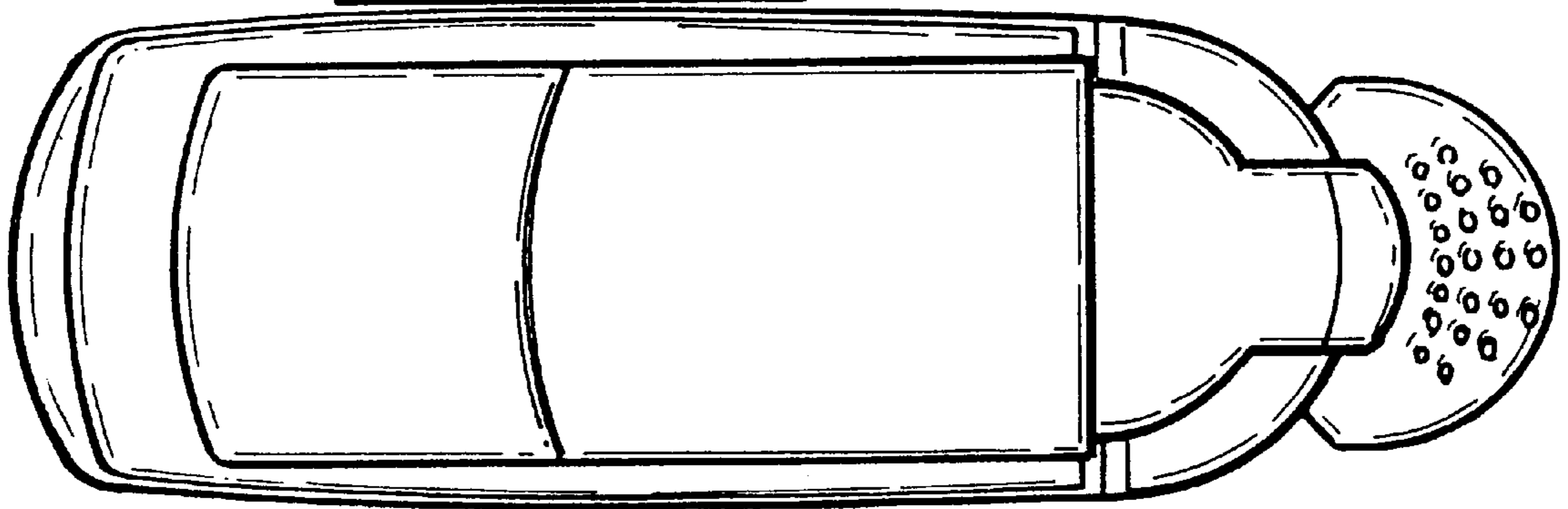


FIG. 7

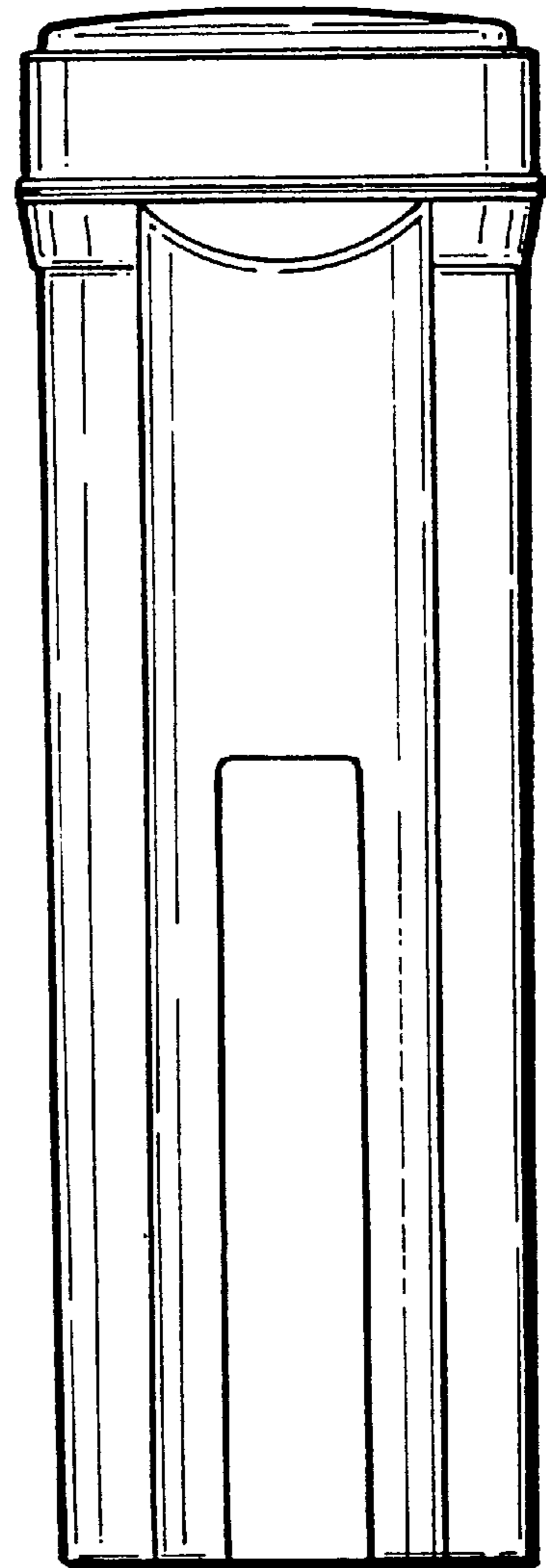


FIG. 8