



US00D438061S

(12) **United States Design Patent**
Lewis et al.

(10) **Patent No.:** **US D438,061 S**

(45) **Date of Patent:** **** Feb. 27, 2001**

(54) **SPILL TRAY**

D. 209,115 * 10/1967 Wright D7/346
D. 250,081 * 10/1978 Stansberry, Jr. et al. D7/407

(75) Inventors: **Robert A. Lewis**, Alta Loma; **Anthony B. Joseph**, Capistrano Beach; **Wouter J. Wiersma**, Arcadia, all of CA (US)

* cited by examiner

Primary Examiner—Robert M. Spear
(74) *Attorney, Agent, or Firm*—Lyon & Lyon LLP

(73) Assignee: **Distinctive Appliances, Inc.**, Pasadena, CA (US)

(57) **CLAIM**

(**) Term: **14 Years**

I claim the ornamental design for a spill tray, as shown and described.

(21) Appl. No.: **29/098,388**

DESCRIPTION

(22) Filed: **Dec. 29, 1998**

FIG. 1 is a top elevational view of a spill tray showing our new design.

(51) **LOC (7) Cl.** **31-00**

FIG. 2 is a side elevational view thereof, all side elevational views being substantially identical thereto; and,

(52) **U.S. Cl.** **D7/407**

FIG. 3 is a cross-sectional view thereof taken along the line 3—3 shown in FIG. 1.

(58) **Field of Search** D7/346, 402, 407;
126/39 M; 219/459.1, 460.1, 461.1, 455.11,
455.12, 538

The bottom surface of the spill tray forms no part of the claimed design. The broken line disclosure of the U-shaped center cutout is for illustrative purposes only and forms no part of the claimed design.

(56) **References Cited**

U.S. PATENT DOCUMENTS

D. 203,910 * 2/1966 Sachnoff D7/407

1 Claim, 1 Drawing Sheet

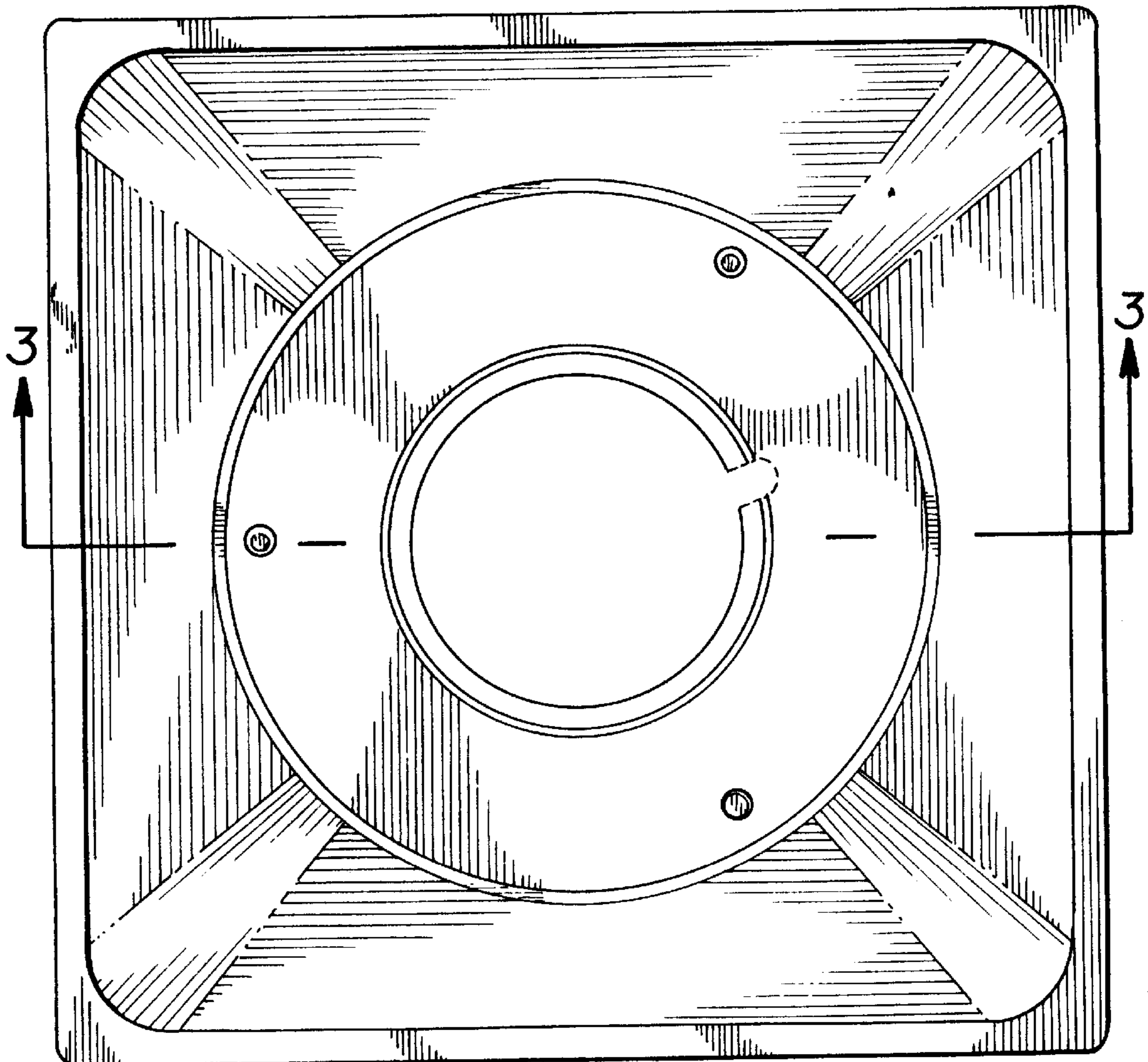


FIG. 1

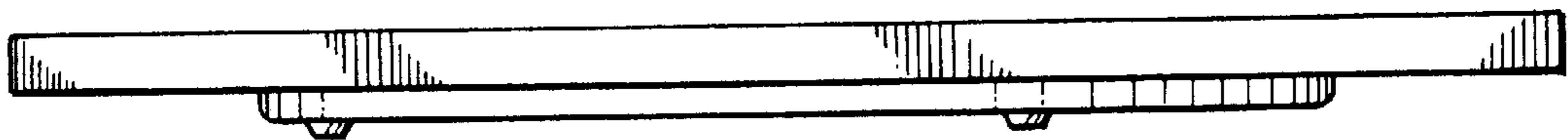
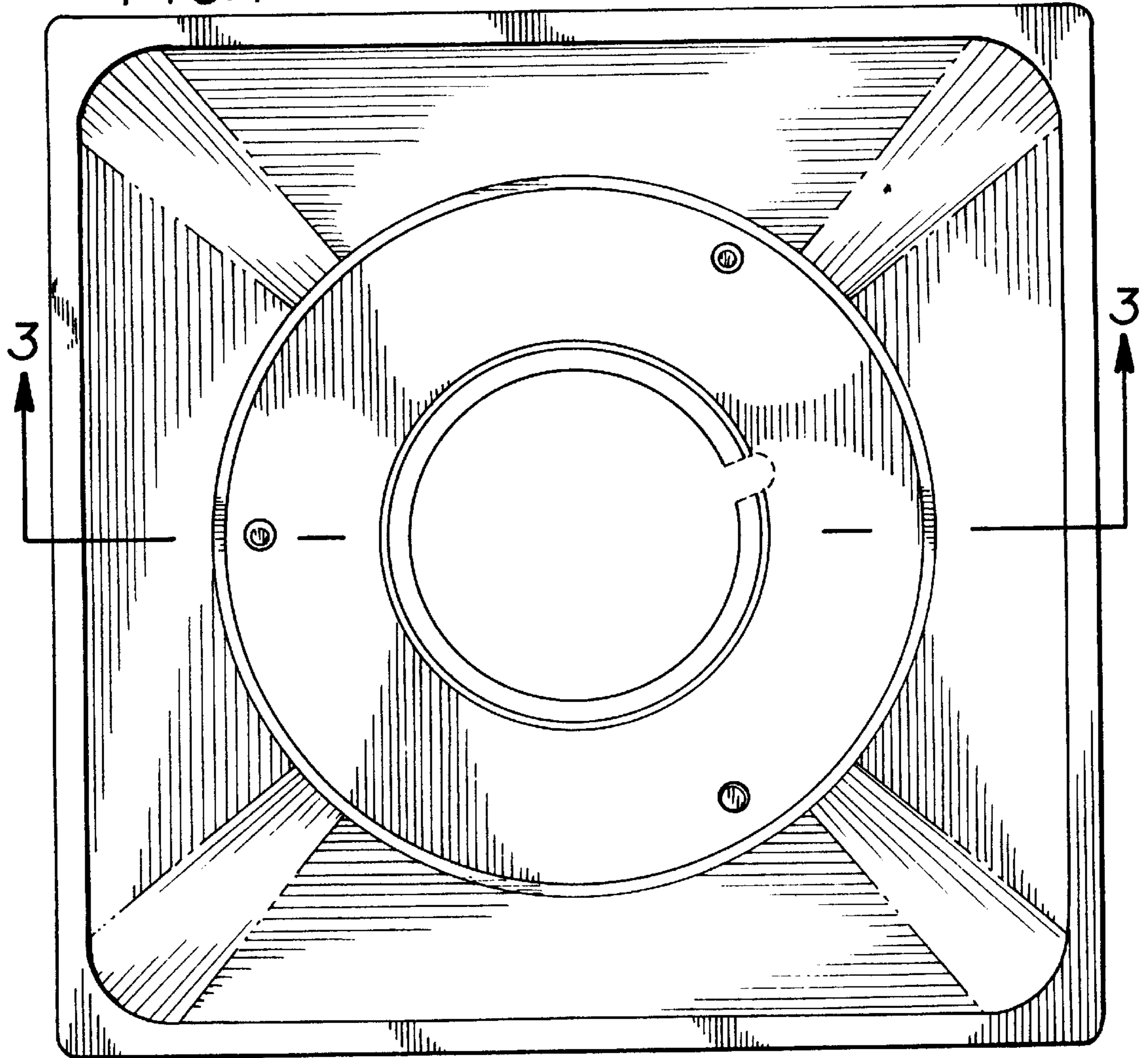


FIG. 2

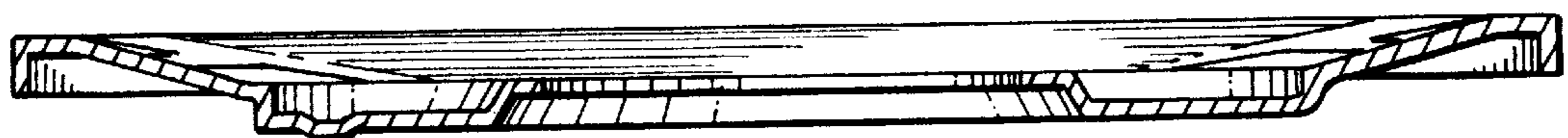


FIG. 3