



US00D438060S

(12) **United States Design Patent**
Campbell et al.

(10) **Patent No.: US D438,060 S**

(45) **Date of Patent: ** *Feb. 27, 2001**

(54) **CASTING FOR A BARBECUE GRILL**

(75) Inventors: **Glennbruce S. Campbell**, Memphis, TN (US); **Robert Johnston**, Columbus; **Brian Coleman**, Midland, both of GA (US)

(73) Assignee: **W. C. Bradley Company**, Columbus, GA (US)

(*) Notice: This patent is subject to a terminal disclaimer.

(**) Term: **14 Years**

(21) Appl. No.: **29/109,263**

(22) Filed: **Aug. 12, 1999**

(51) **LOC (7) Cl.** **07-02**

(52) **U.S. Cl.** **D7/402; D7/332**

(58) **Field of Search** D7/331-338, 402-404, D7/409, 362-365, 367; 99/340, 375, 419, 421 H, 422, 421 R, 424, 443 C-444, 446-447, 449, 450; 126/25 R, 25 A, 25 AA, 9 R, 38-39 R, 40, 41 R, 50, 200, 211; 426/523; 431/247

(56) **References Cited**

U.S. PATENT DOCUMENTS

D. 406,488 * 3/1999 Bates et al. D7/334

D. 406,489 * 3/1999 Williams et al. D7/334
D. 415,388 * 10/1999 Wagner et al. D7/402
D. 417,587 * 12/1999 Wagner et al. D7/402
5,996,573 * 12/1999 Ganard et al. 126/41 R

OTHER PUBLICATIONS

Char-Broil Catalog, "1998 Grills" p. 9. Alpine Series—46-38872.*

* cited by examiner

Primary Examiner—Ruth McInroy

(74) *Attorney, Agent, or Firm*—James W. Kayden; Thomas, Kayden, Horstemeyer & Risley

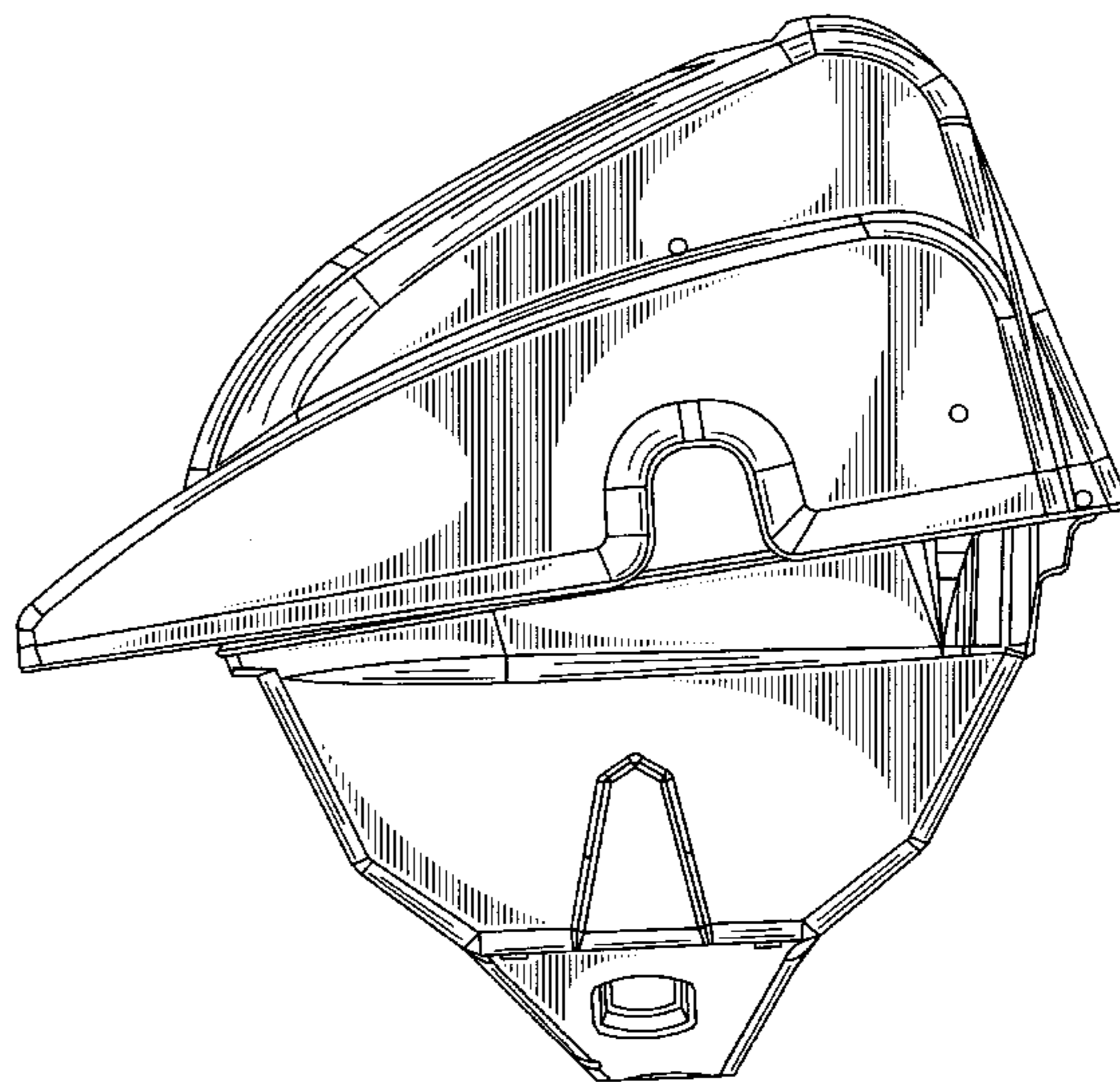
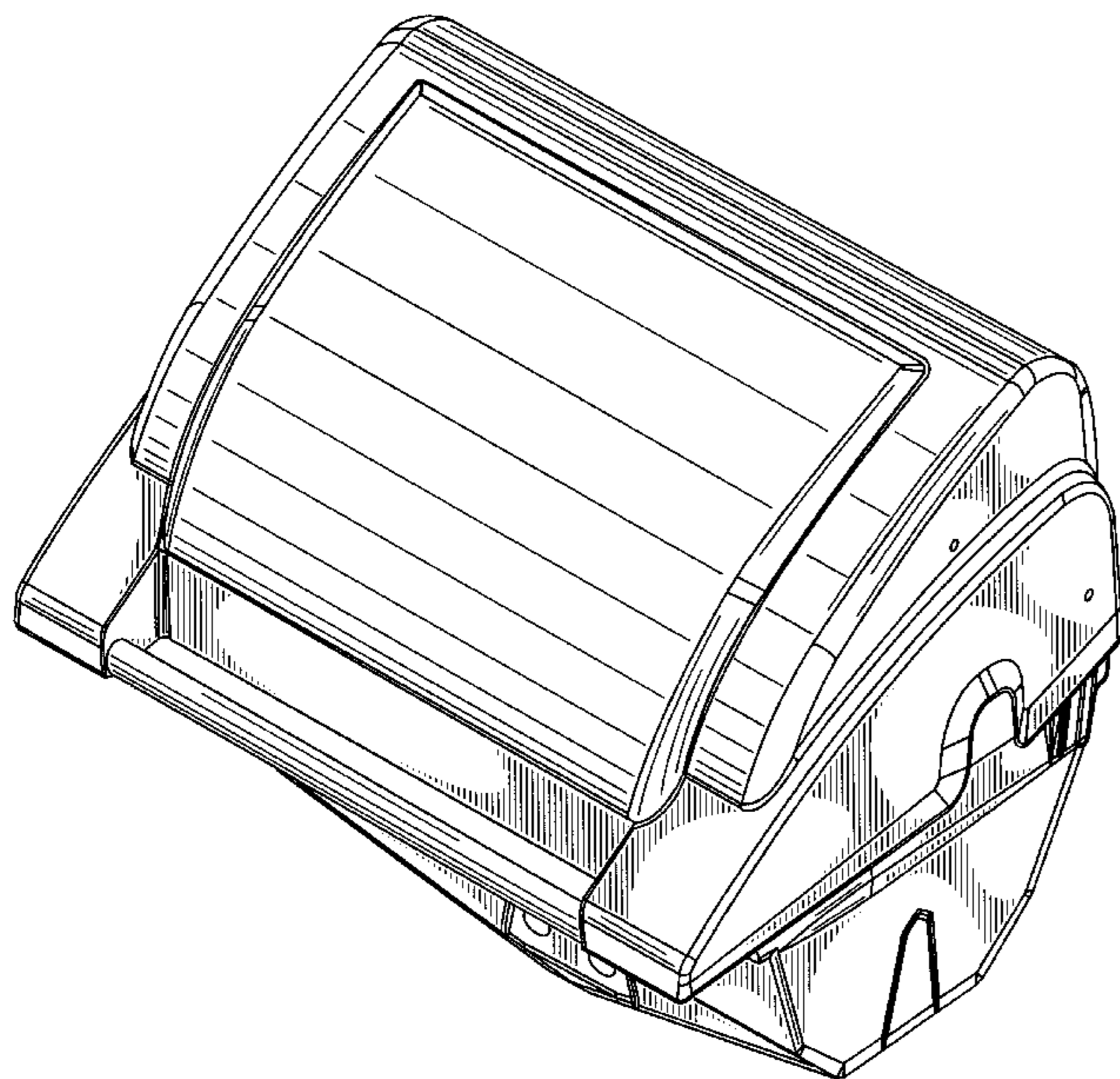
(57) **CLAIM**

The ornamental design of a casting for a barbecue grill, as shown and described.

DESCRIPTION

FIG. 1 is a perspective view of a casting for a barbecue grill showing our new design;
FIG. 2 is a front elevational view thereof;
FIG. 3 is a rear elevational view thereof;
FIG. 4 is a right side elevational view thereof;
FIG. 5 is a left side elevational view thereof;
FIG. 6 is a top plan view thereof; and,
FIG. 7 is a bottom plan view thereof.

1 Claim, 7 Drawing Sheets



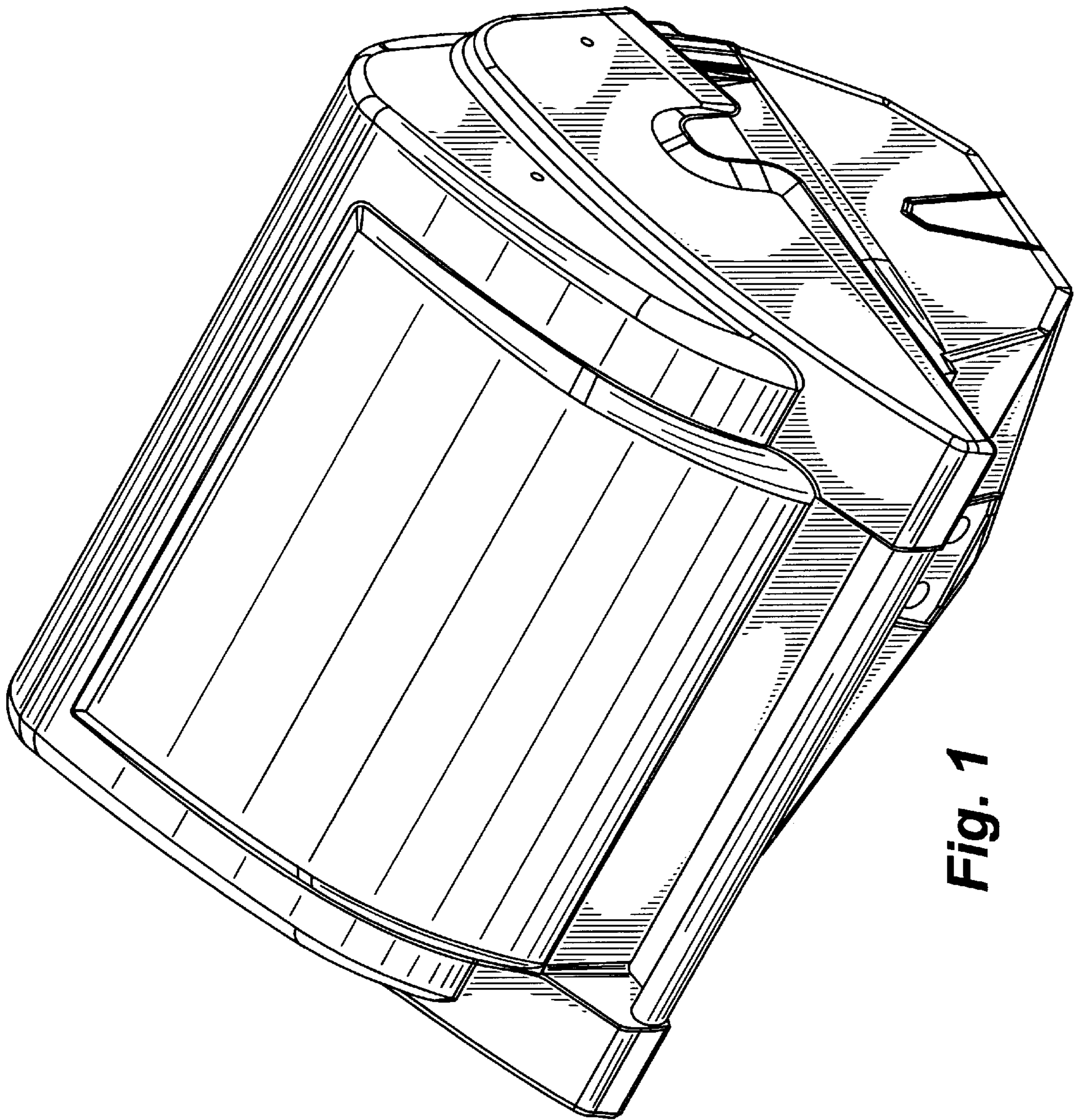


Fig. 1

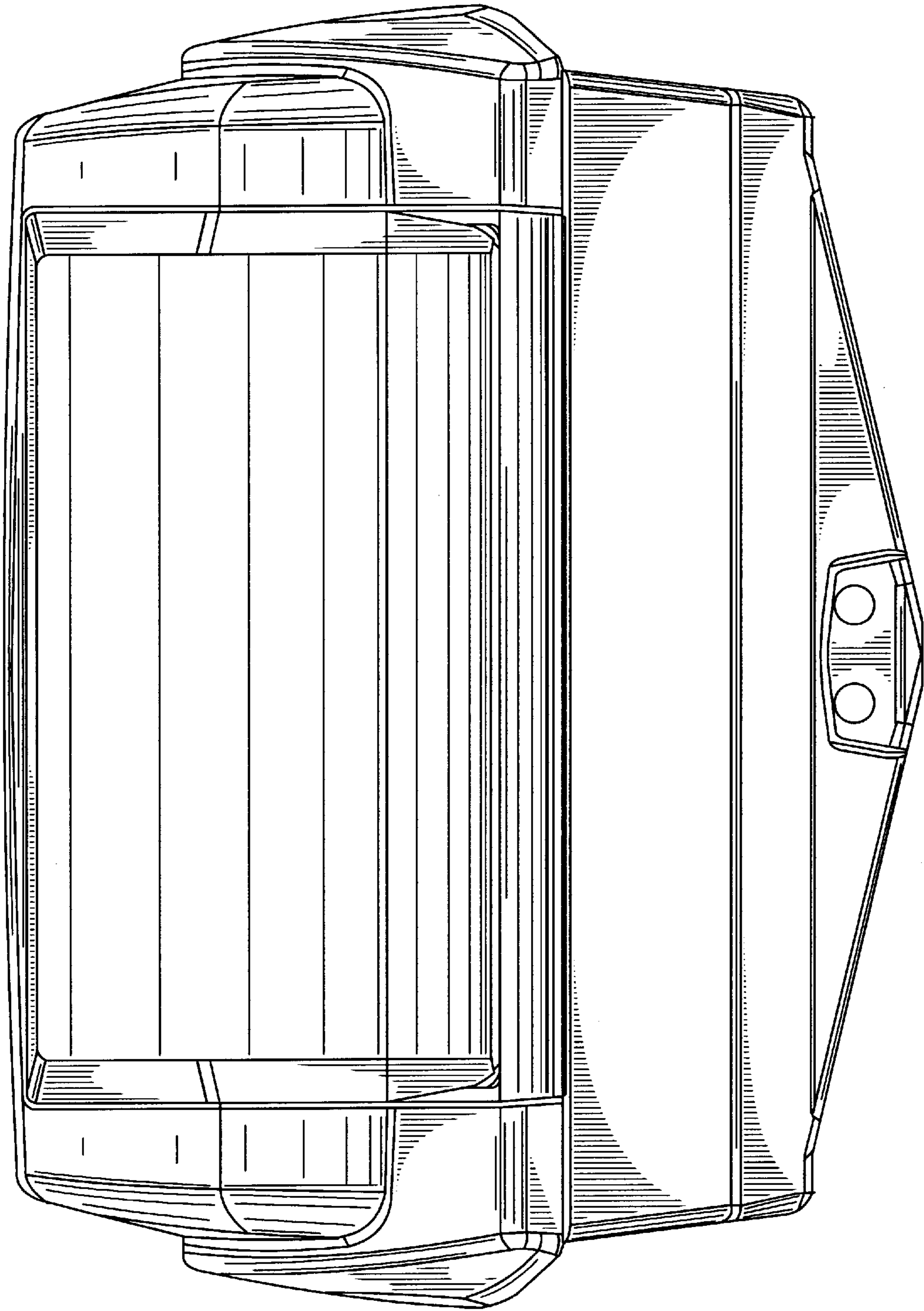


Fig. 2

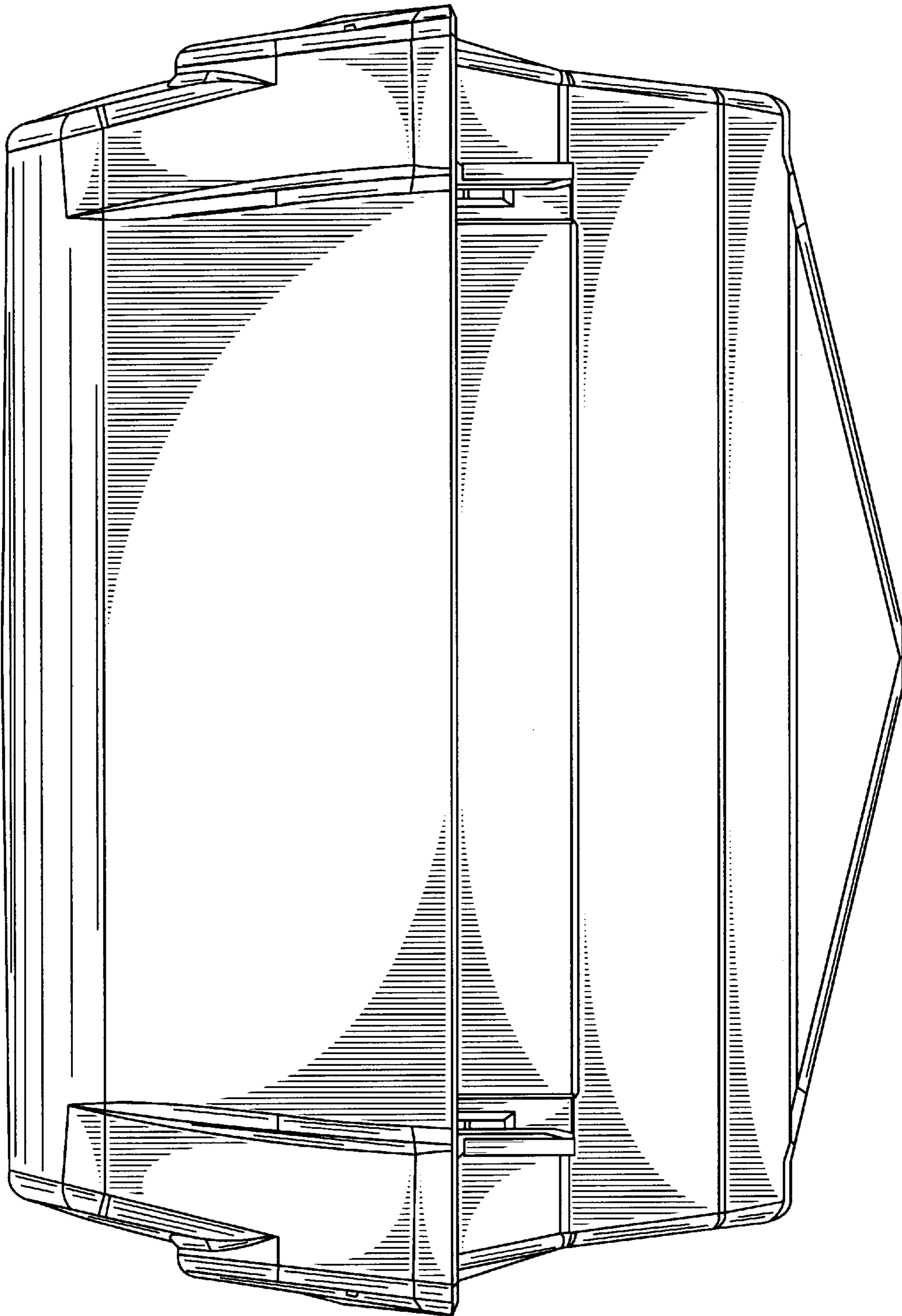


Fig. 3

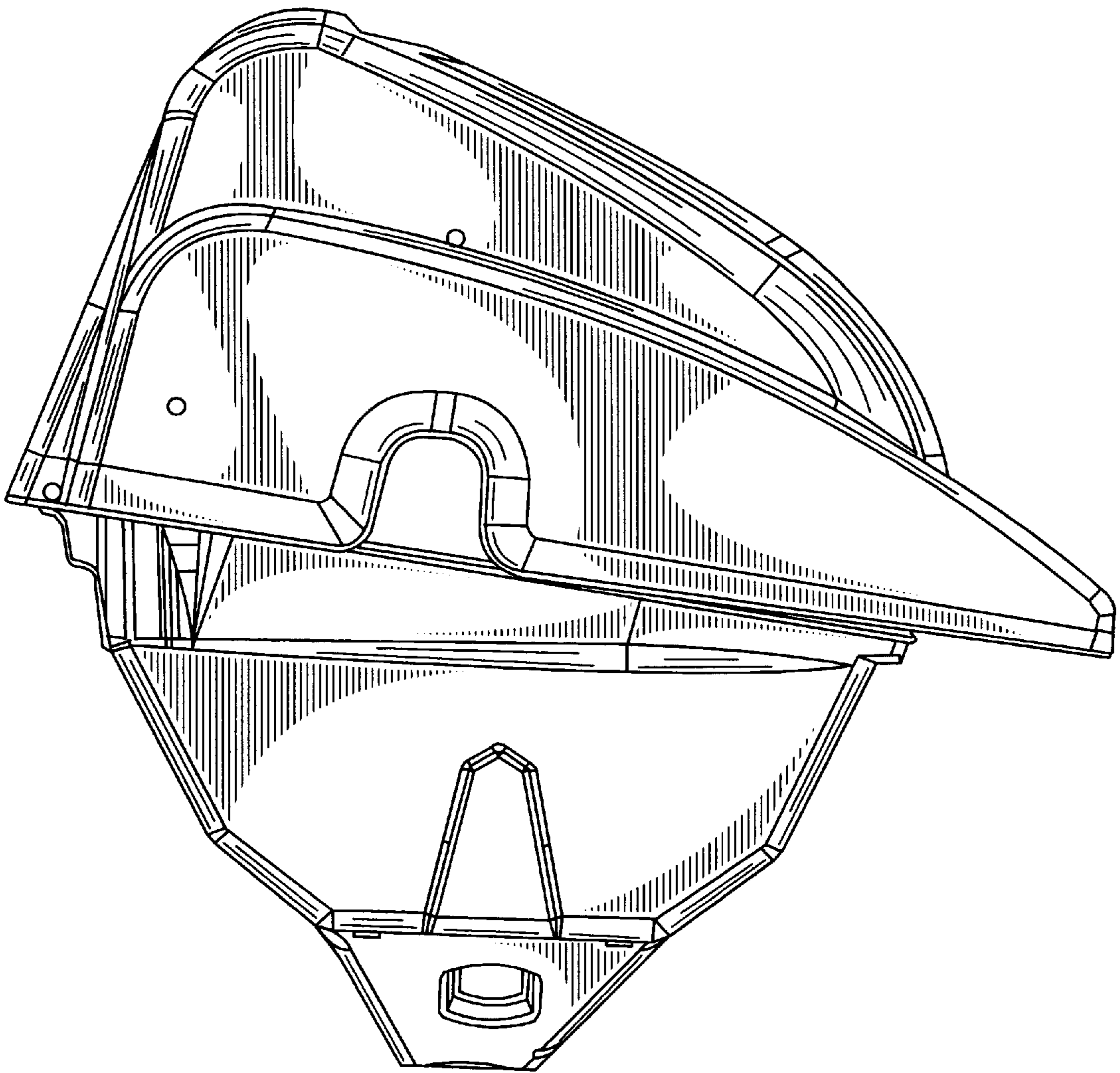


Fig. 4

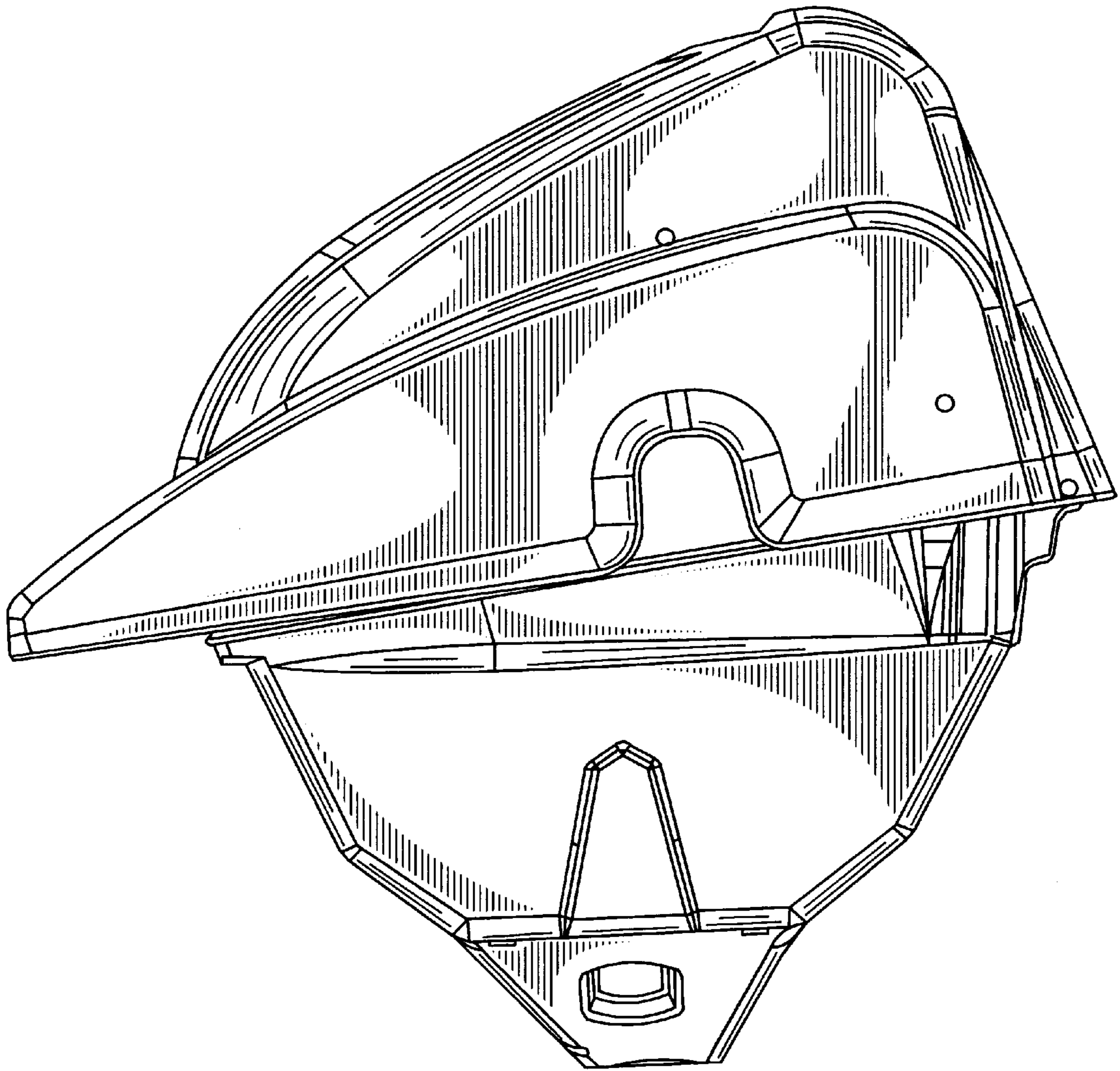


Fig. 5

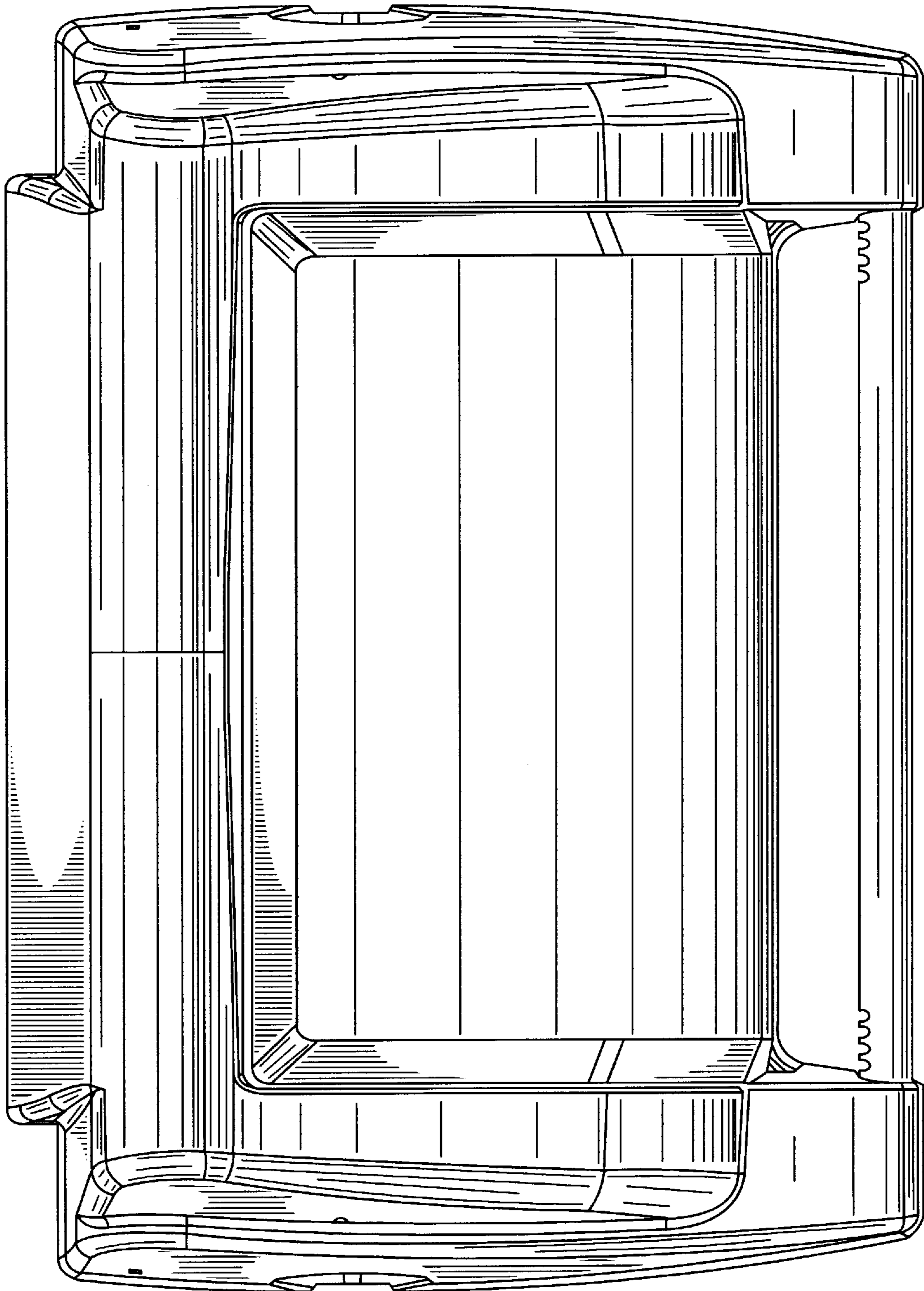


Fig. 6

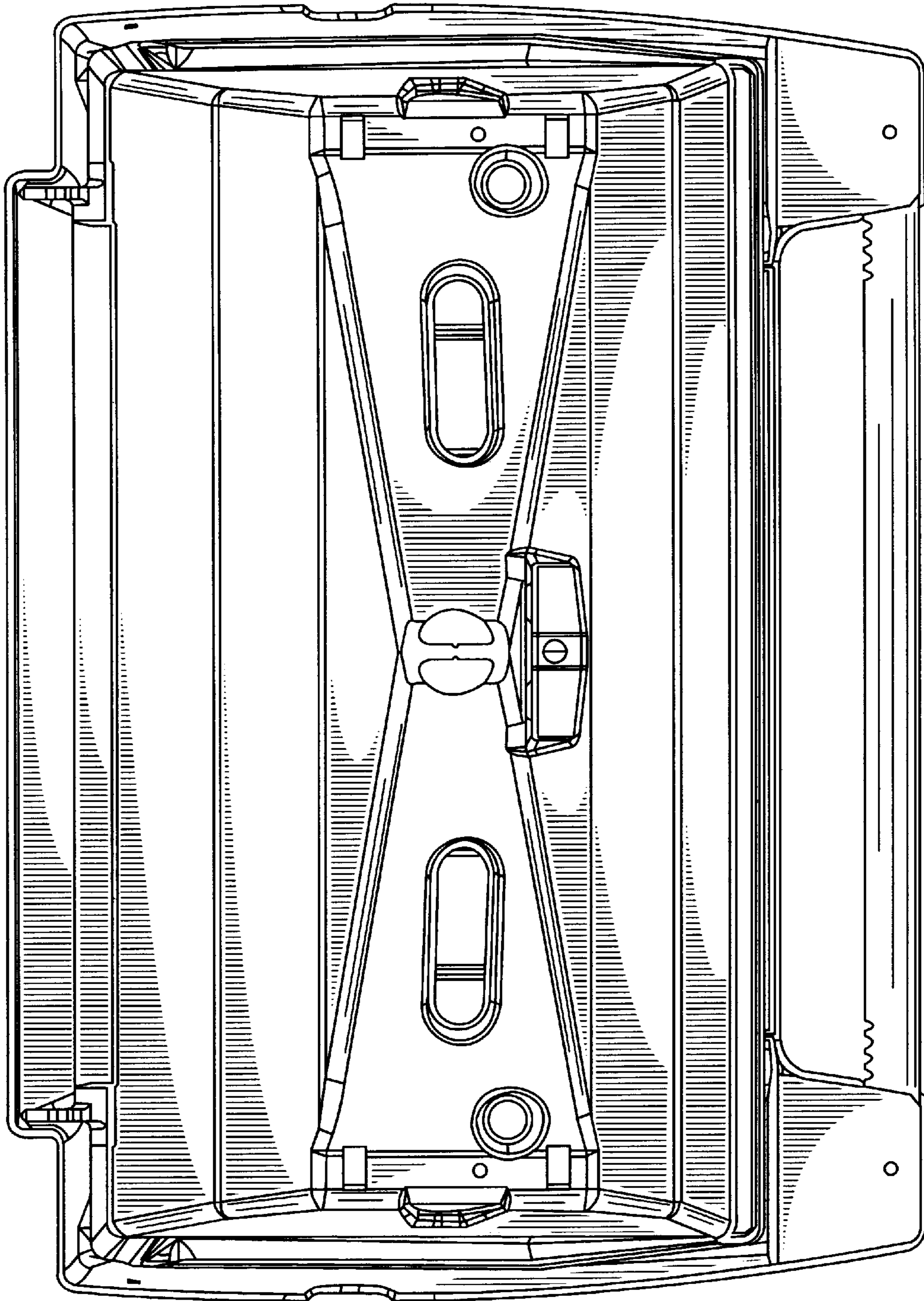


Fig. 7