



US00D438054S

(12) **United States Design Patent**
Munari

(10) **Patent No.:** **US D438,054 S**

(45) **Date of Patent:** **** Feb. 27, 2001**

(54) **HANDLE FOR A COOKING VESSEL**

(75) **Inventor:** **Marco Munari**, Cardano Al Campo (IT)

(73) **Assignee:** **La Termoplastica F.B.M. S.R.L.**, Z.I. (IT)

(**) **Term:** **14 Years**

(21) **Appl. No.:** **29/109,760**

(22) **Filed:** **Aug. 19, 1999**

(30) **Foreign Application Priority Data**

Feb. 19, 1999 (IT) MI9900085

(51) **LOC (7) Cl.** **07-02**

(52) **U.S. Cl.** **D7/395**

(58) **Field of Search** D7/354-361, 393-395, D7/401.2; 16/110.1, 430, 431, DIG. 18, DIG. 19

(56) **References Cited**

U.S. PATENT DOCUMENTS

D. 377,438 * 1/1997 Brunianyn D7/361

D. 392,151 * 3/1998 Munari D7/395
D. 411,077 * 6/1999 Kwok D7/395
D. 417,121 * 11/1999 Brunianyn D7/395
4,197,611 * 4/1980 Bell et al. 220/753

* cited by examiner

Primary Examiner—Caron D. Veynar

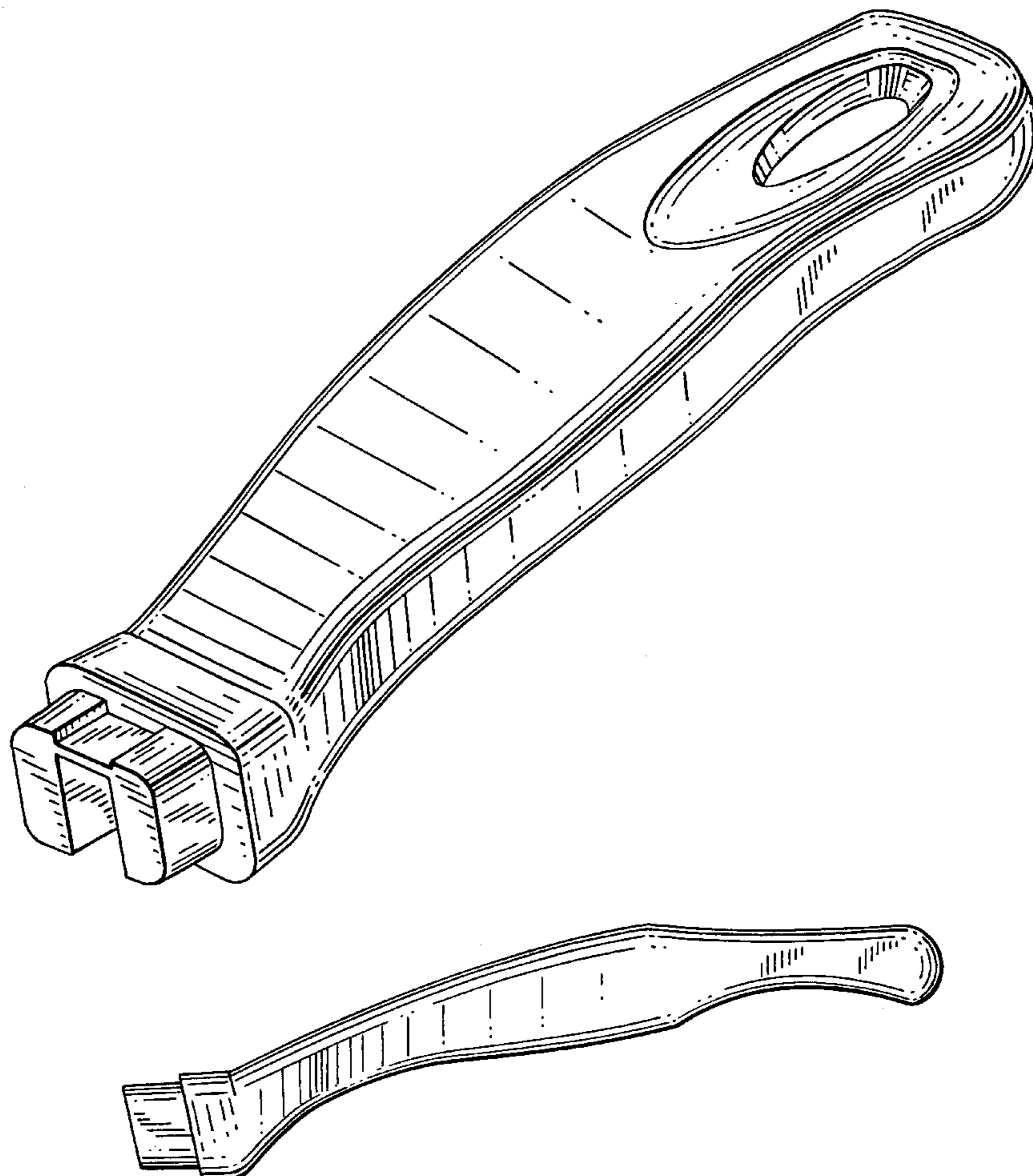
(57) **CLAIM**

The ornamental design for a handle for a cooking vessel, as shown and described.

DESCRIPTION

FIG. 1 is a top, left side, vessel end perspective view of a handle for a cooking vessel showing my new design; FIG. 2 is a left-side elevational view thereof; FIG. 3 is a right-side elevational view thereof; FIG. 4 is a top plan view thereof; FIG. 5 is a bottom plan view thereof; FIG. 6 is a vessel-end elevational view thereof; and, FIG. 7 is an opposite-end elevational view thereof.

1 Claim, 3 Drawing Sheets



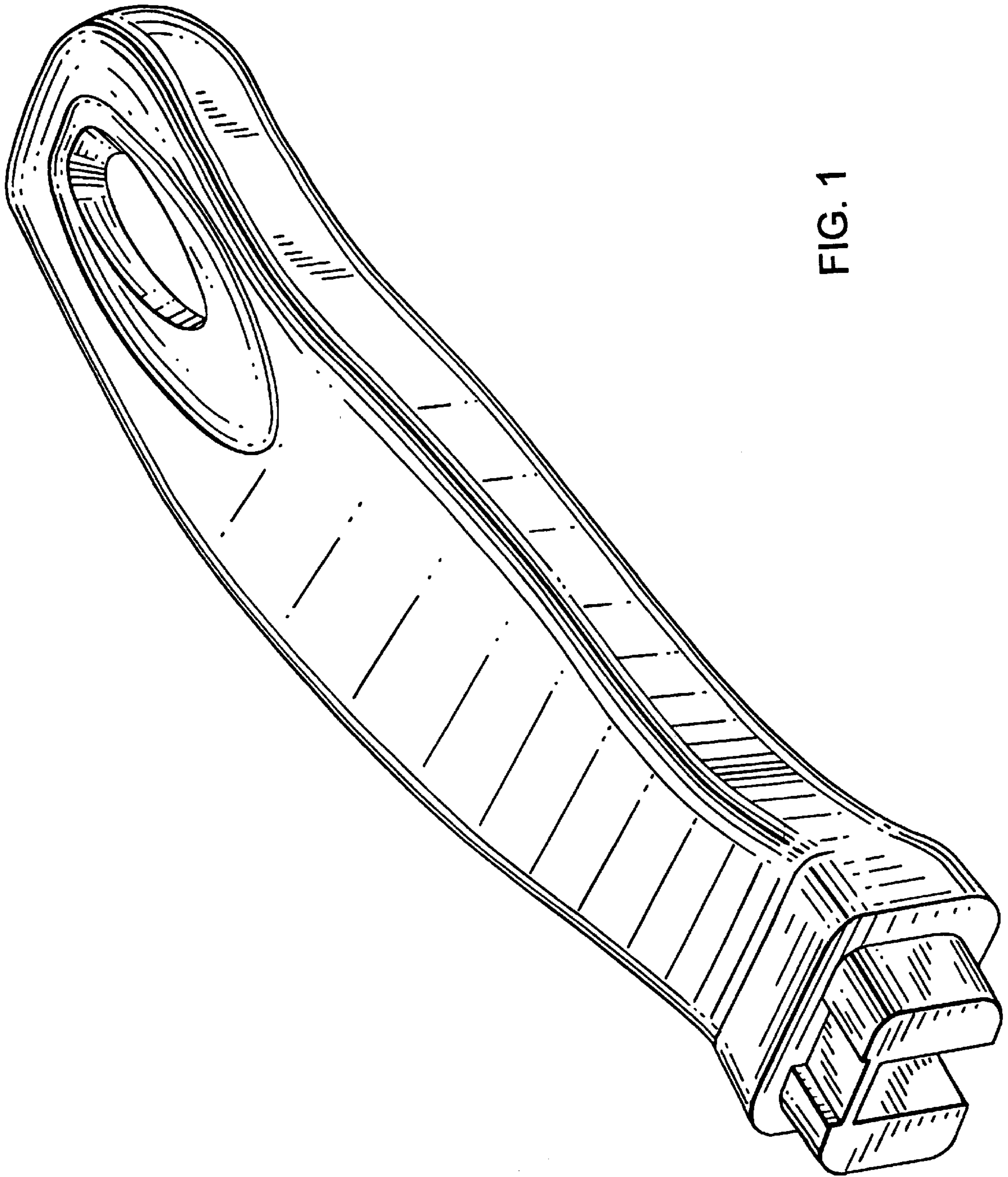


FIG. 1

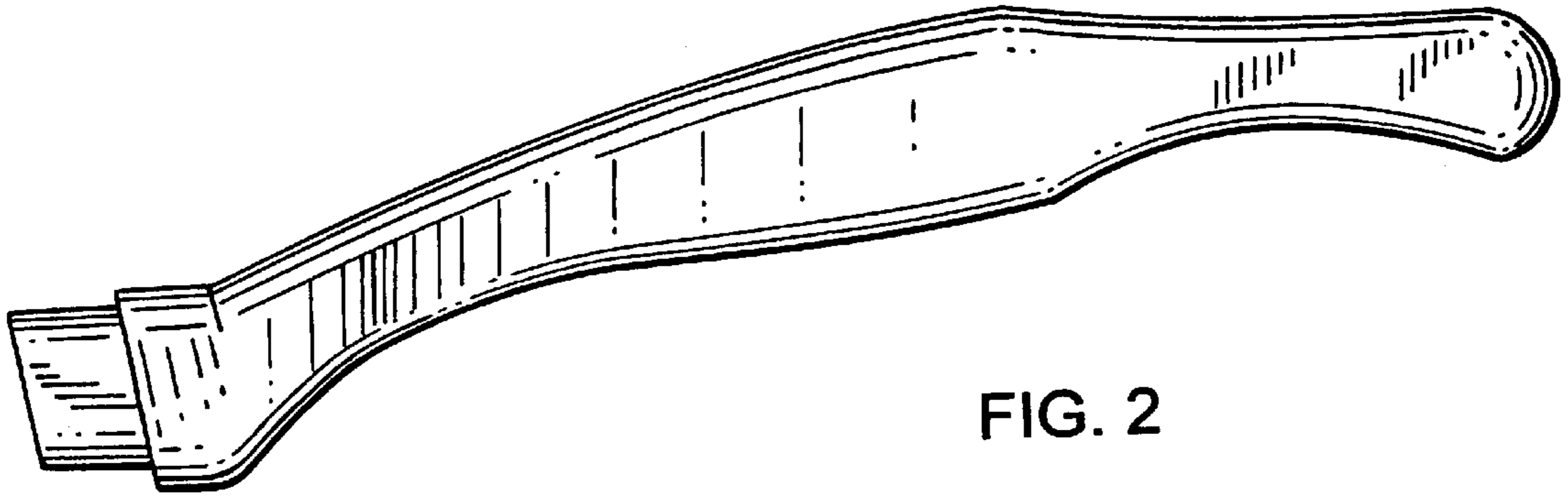


FIG. 2

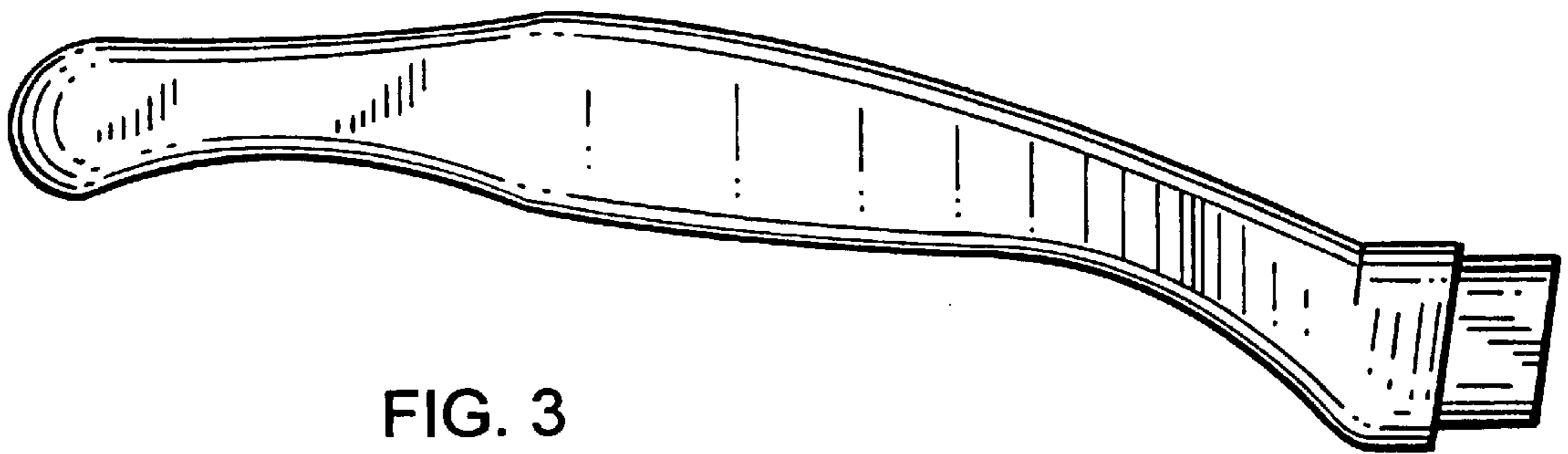


FIG. 3

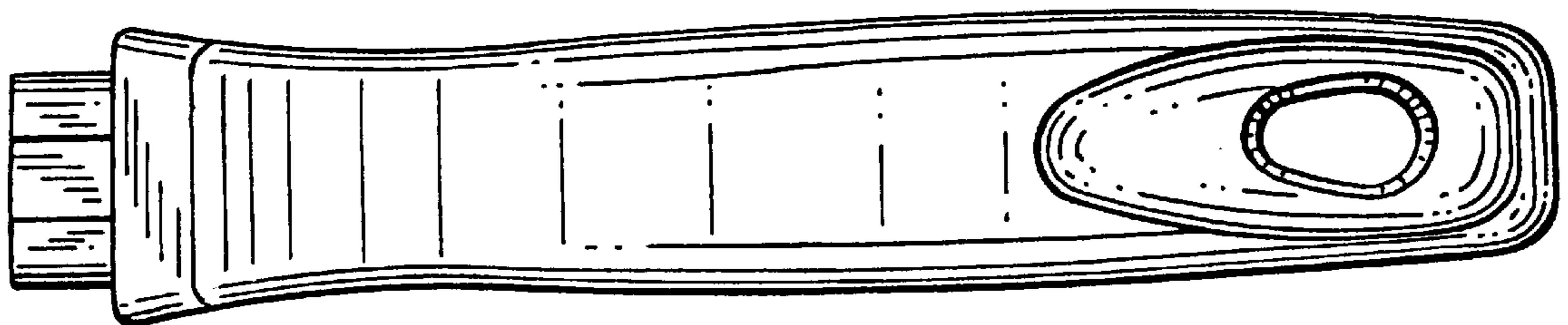


FIG. 4

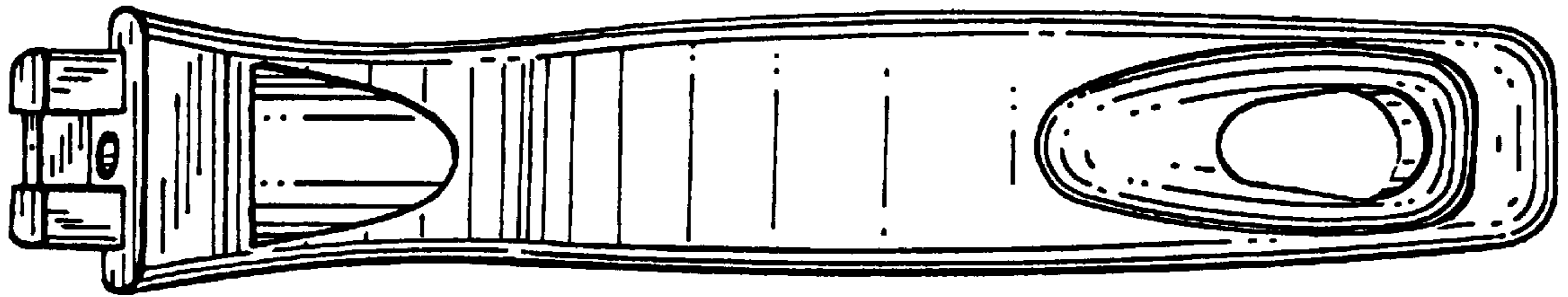


FIG. 5

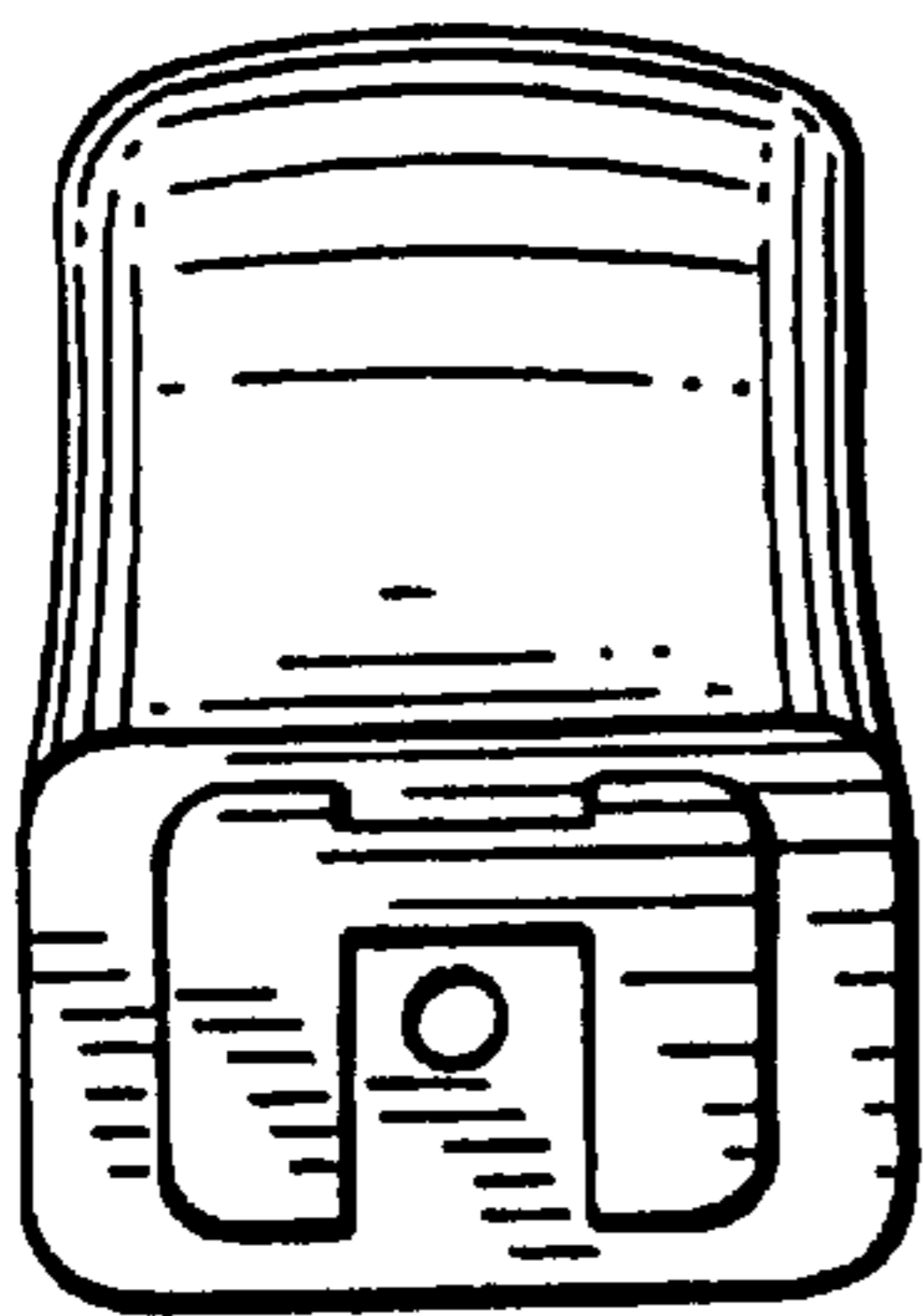


FIG. 6

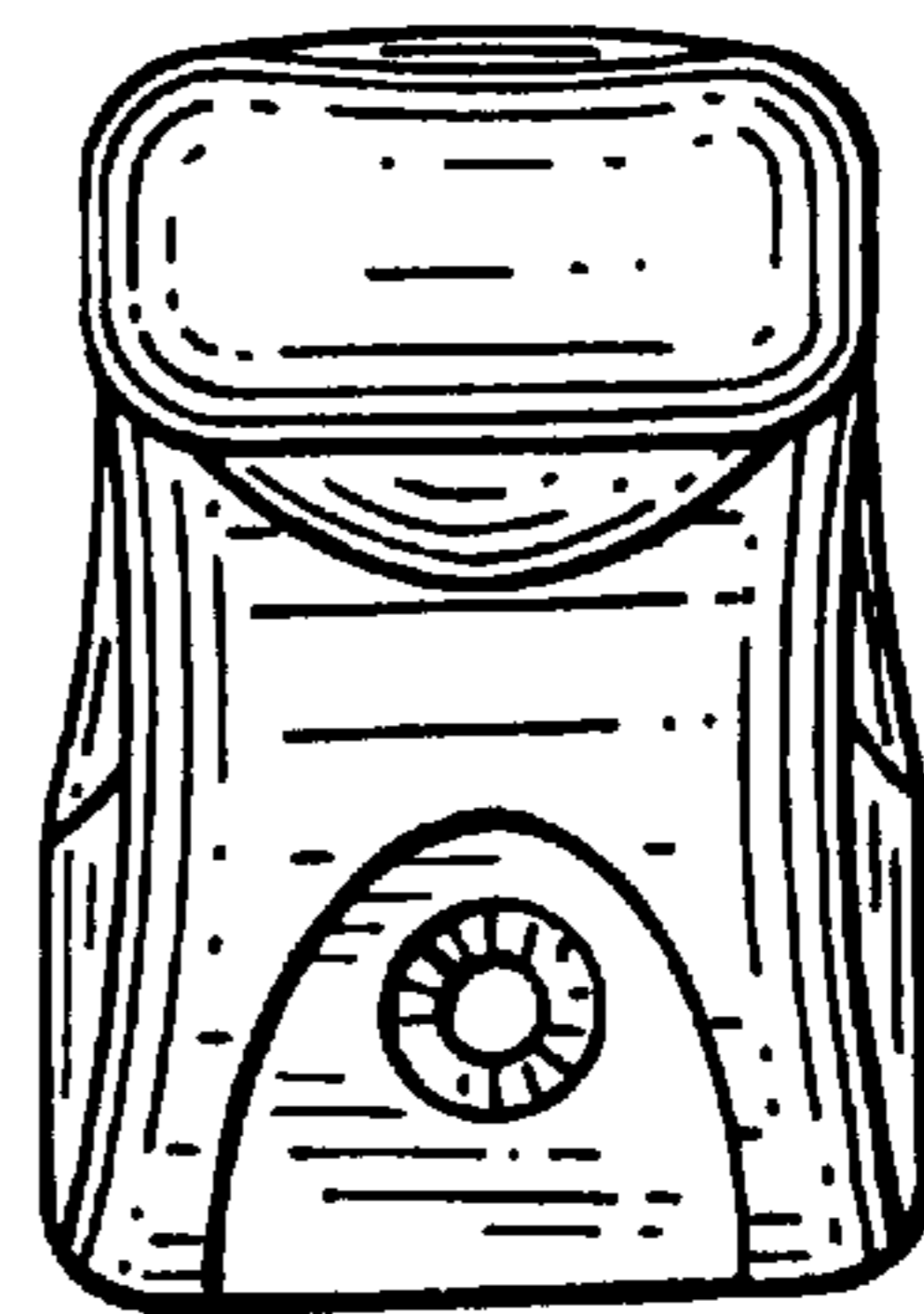


FIG. 7