



US00D438051S

(12) **United States Design Patent**  
**Anselmi et al.**

(10) **Patent No.:** **US D438,051 S**

(45) **Date of Patent:** **\*\* Feb. 27, 2001**

(54) **ELECTRIC EMULSIFIERS FOR CREAM**

D. 207,407 \* 4/1967 Rogenski ..... D7/379  
D. 258,340 \* 2/1981 Fuchs ..... D7/379

(75) Inventors: **Laura Anselmi**, Milan; **Giovanni Giacobone**, Bagnaria; **Francesco Trabucco**, Milan, all of (IT)

\* cited by examiner

(73) Assignee: **Simac-Vetrella SpA**, Cazzago Di Pianiga (IT)

*Primary Examiner*—Caron D. Veynar

(74) *Attorney, Agent, or Firm*—Antonelli, Terry, Stout & Kraus, LLP

(\*\*) Term: **14 Years**

(57) **CLAIM**

(21) Appl. No.: **29/108,948**

The ornamental design for a electric emulsifiers for cream, as shown.

(22) Filed: **Aug. 9, 1999**

(30) **Foreign Application Priority Data**

**DESCRIPTION**

Feb. 18, 1999 (XH) ..... DM/047157

FIG. 1 is a perspective view of a first variant of electric emulsifier for cream;

(51) **LOC (7) Cl.** ..... **31-00**

FIG. 2 is a front side view of the emulsifier of FIG. 1;

(52) **U.S. Cl.** ..... **D7/377**

FIG. 3 is a rear side view of the emulsifier of FIG. 1;

(58) **Field of Search** ..... D7/376-386, 300, D7/305, 309, 310, 354; 99/324, 339; 366/64, 96, 197, 219, 241

FIG. 4 is a one side view of the emulsifier of FIG. 1;

FIG. 5 is the other side view of the emulsifier of FIG. 1;

FIG. 6 is a top view of the emulsifier of FIG. 1; and,

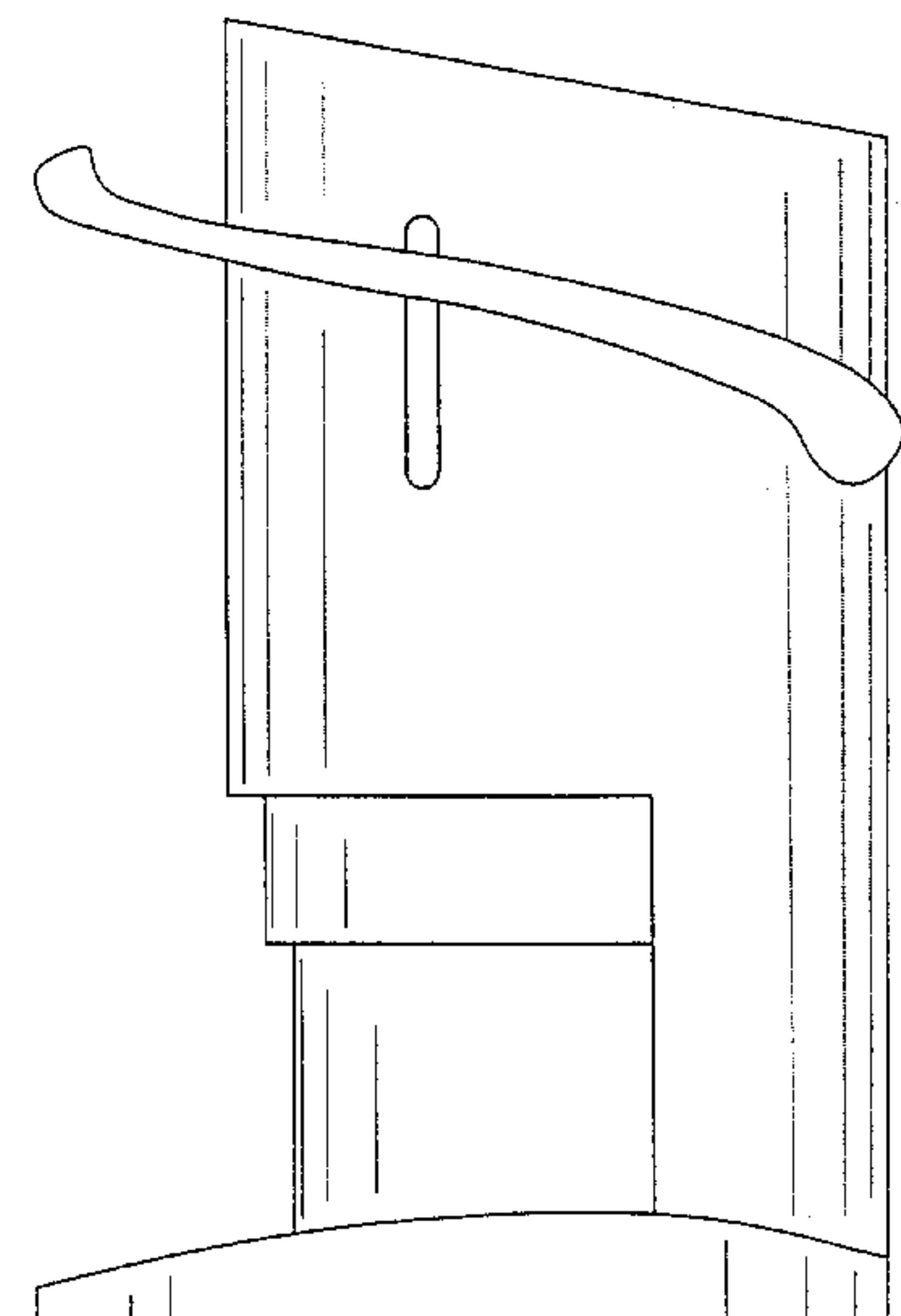
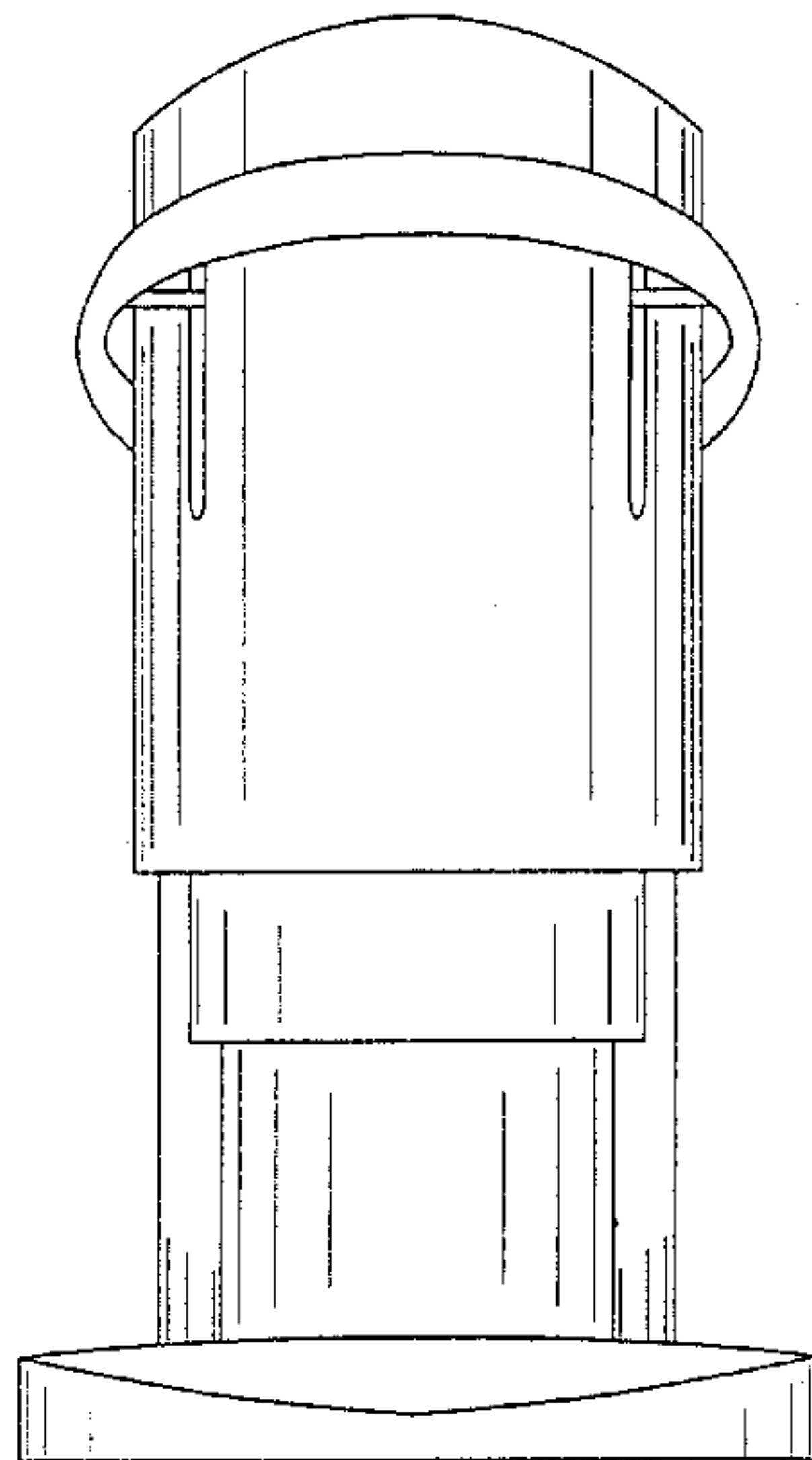
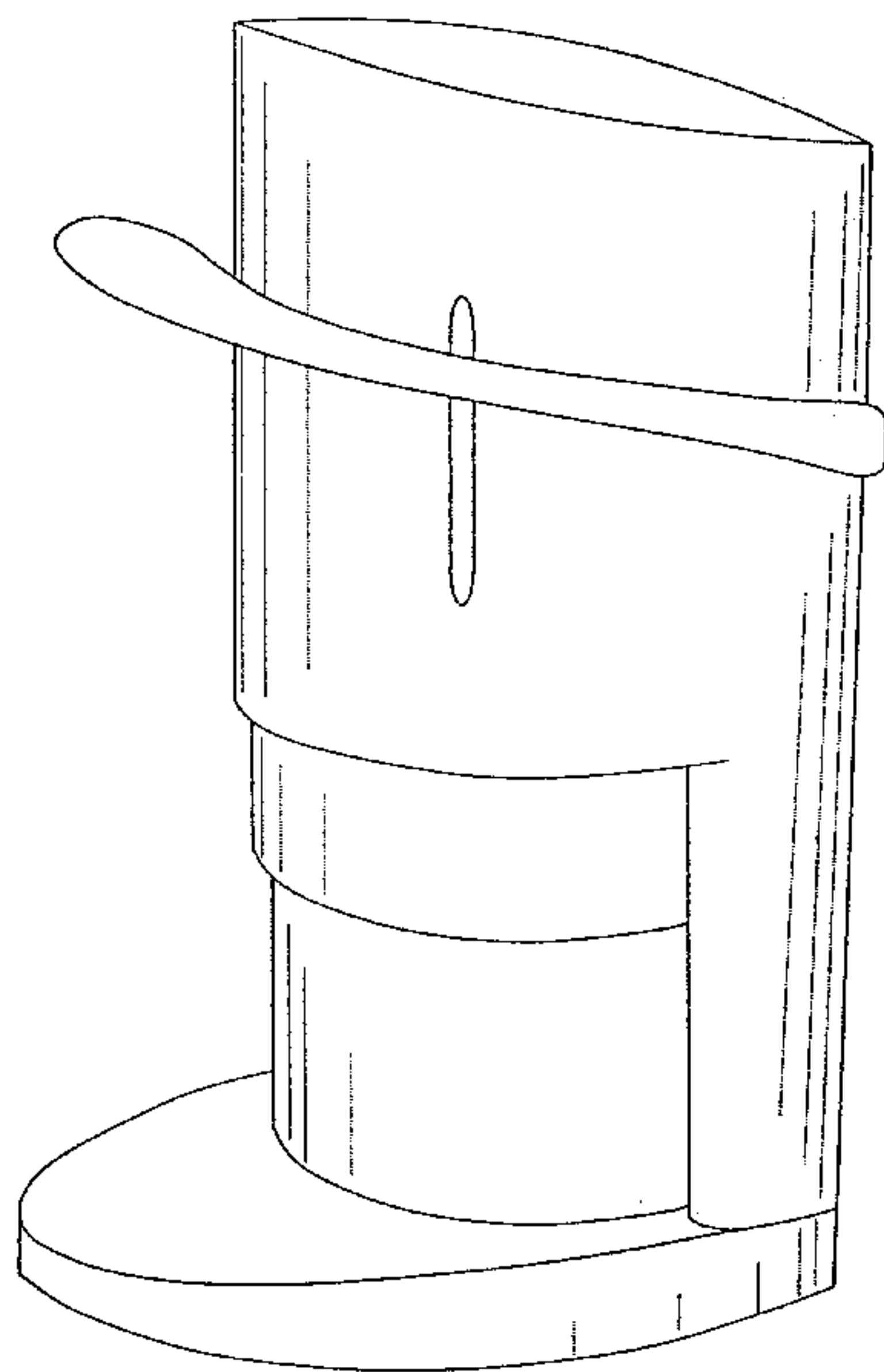
FIG. 7 is a bottom view of the emulsifier of FIG. 1.

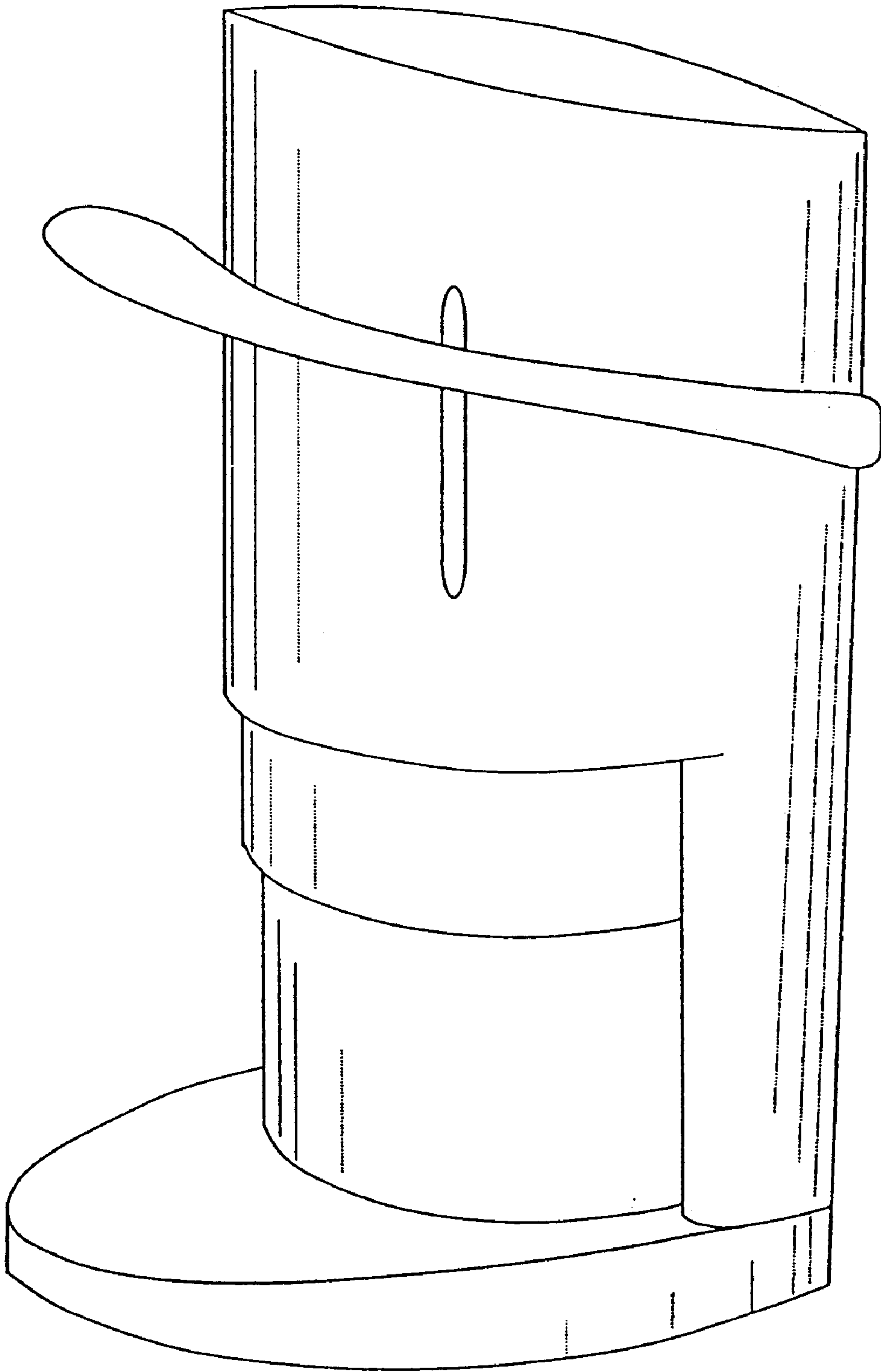
(56) **References Cited**

**U.S. PATENT DOCUMENTS**

D. 133,314 \* 8/1942 Finizie ..... D7/354

**1 Claim, 4 Drawing Sheets**





**FIG. 1**

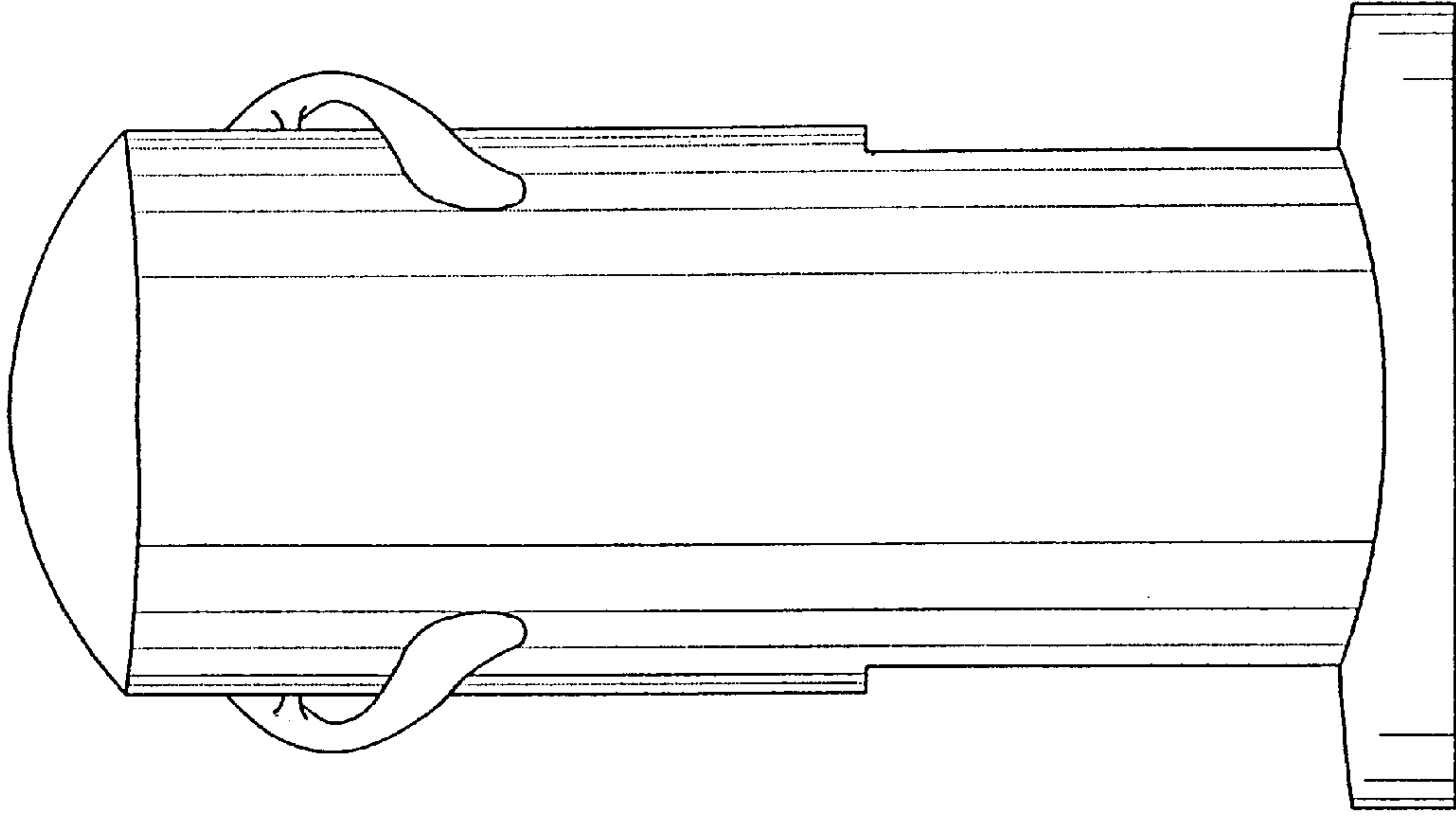


FIG. 3

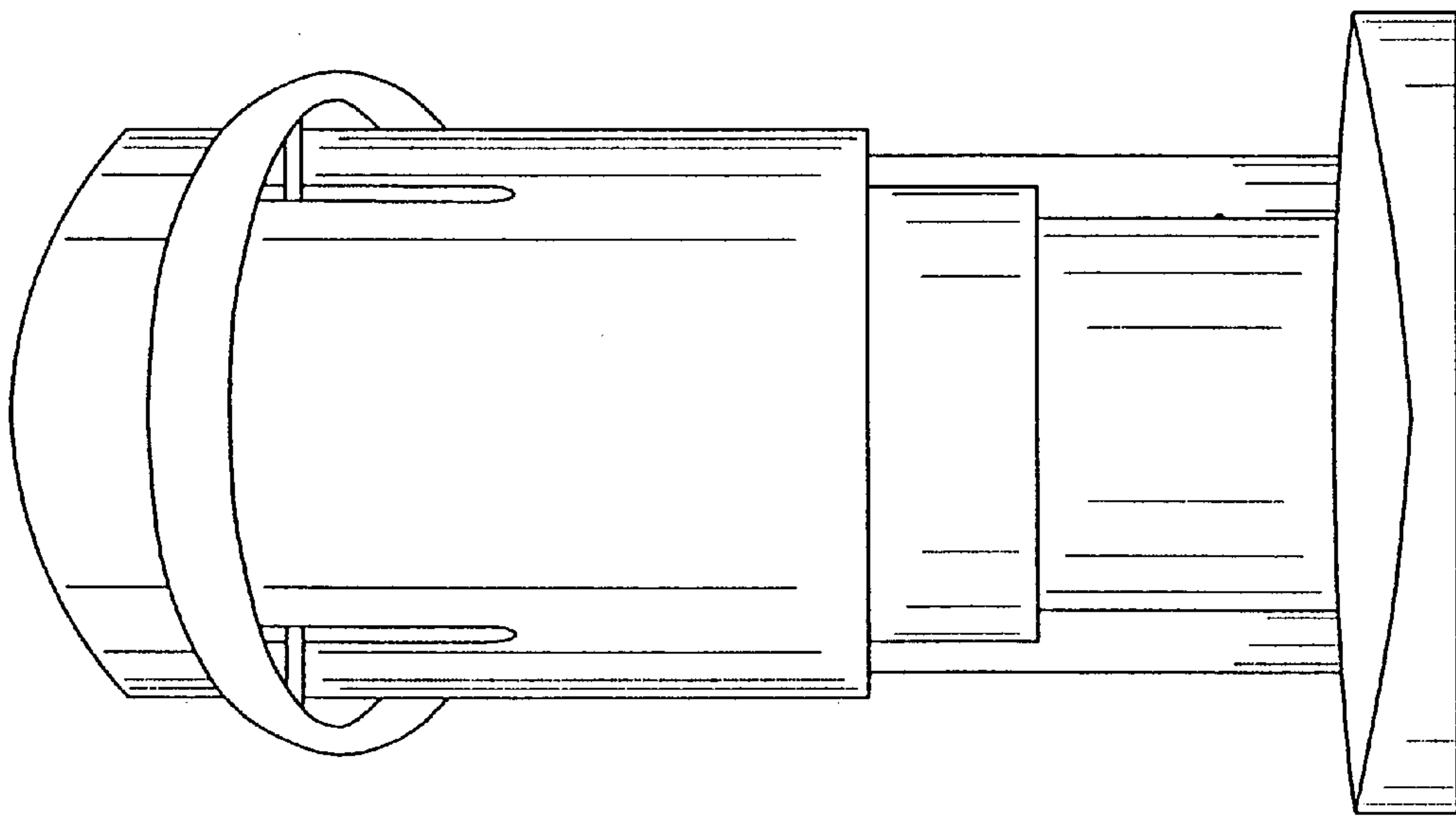


FIG. 2

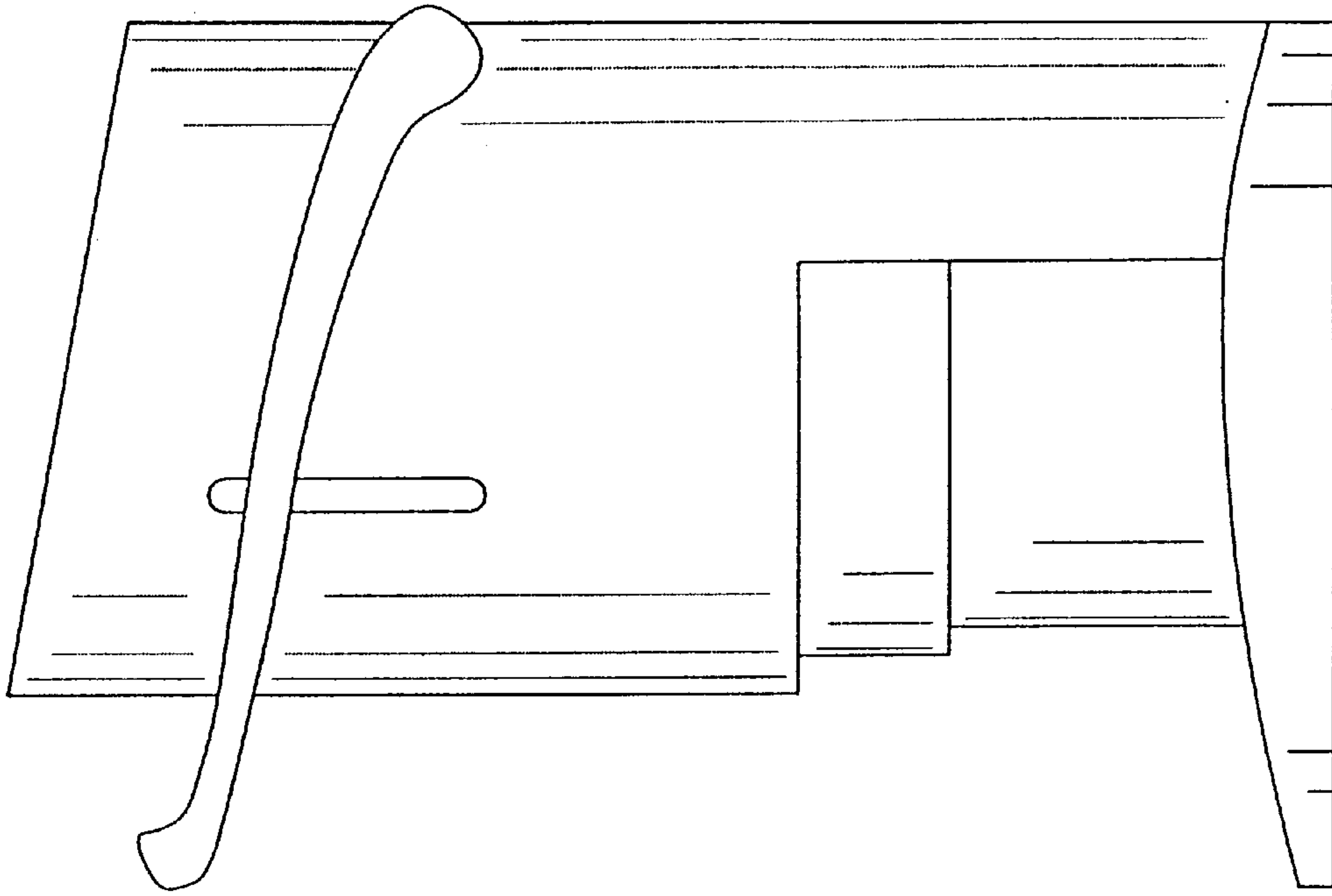


FIG. 5

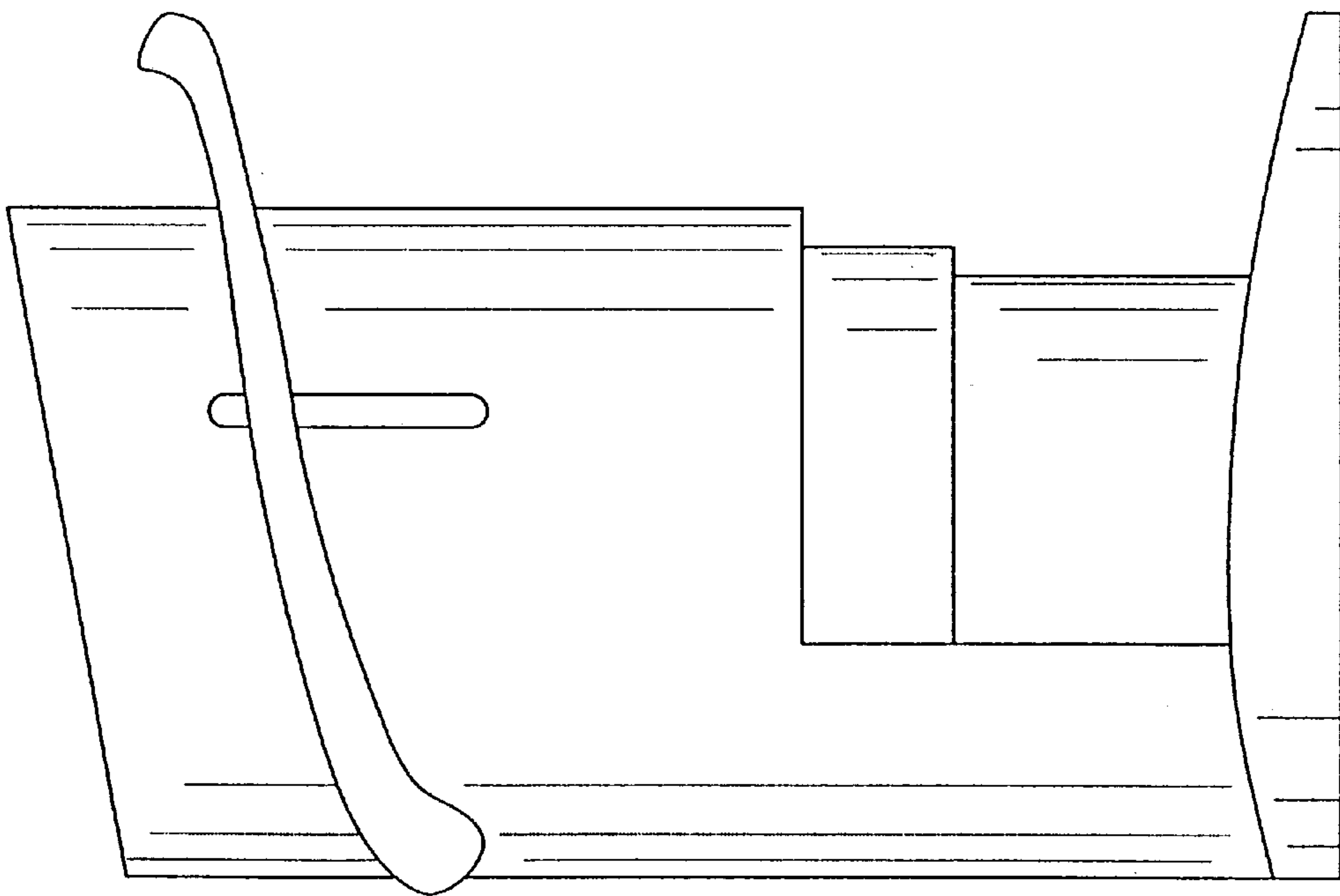


FIG. 4

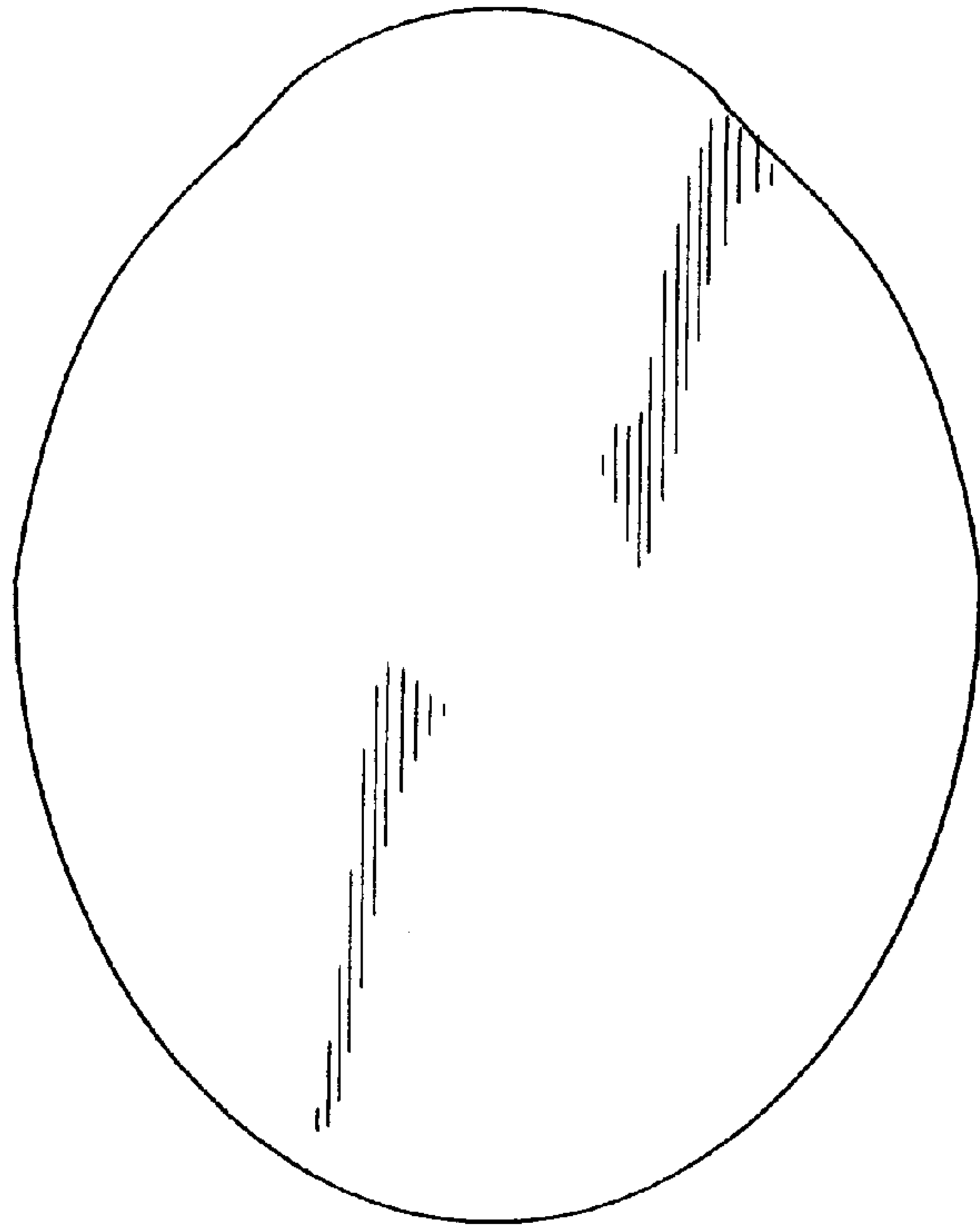


FIG. 7

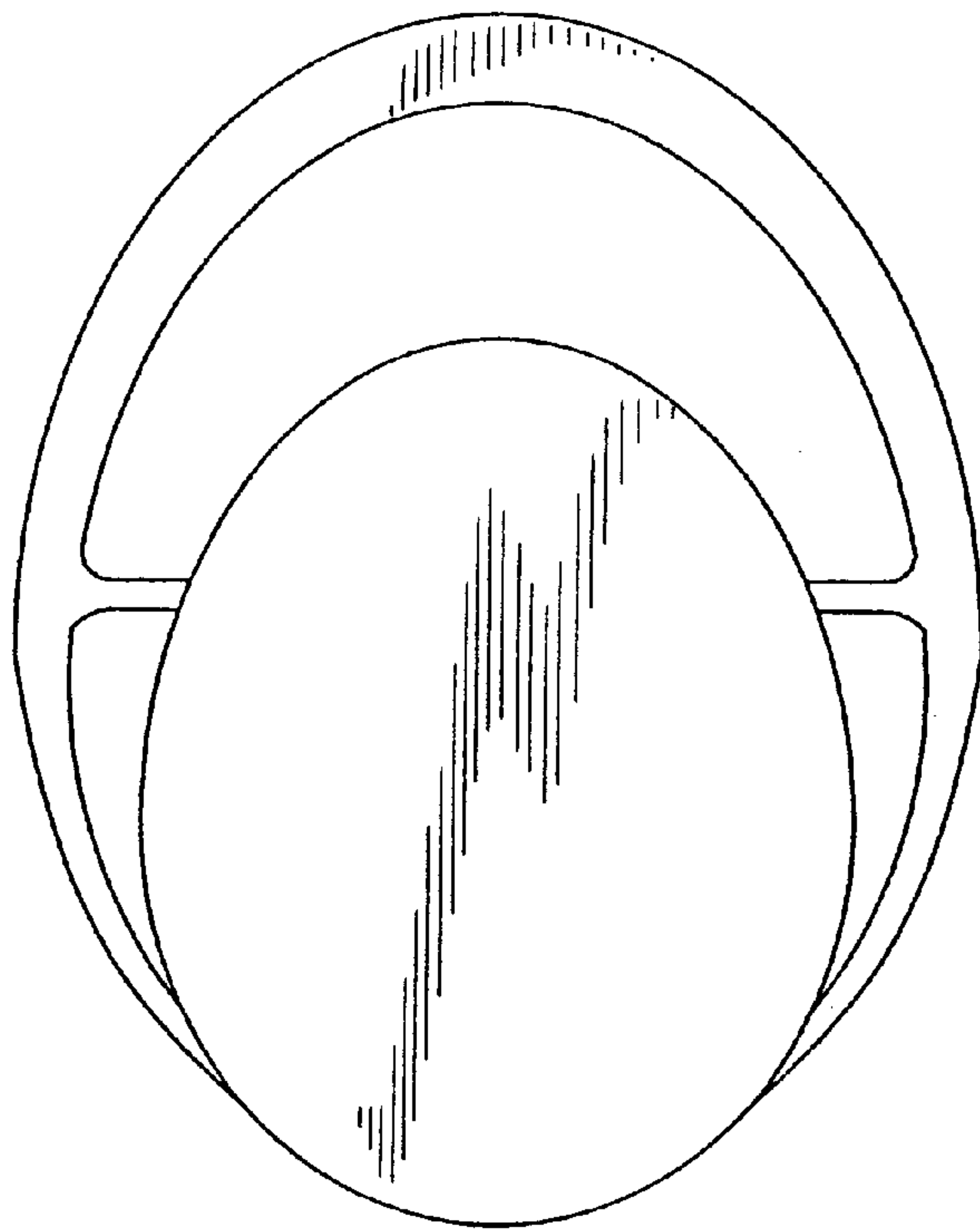


FIG. 6