



US00D438047S

(12) **United States Design Patent**
Chavez

(10) **Patent No.:** **US D438,047 S**

(45) **Date of Patent:** **** Feb. 27, 2001**

(54) **STACKABLE COMPACT VIDEO TAPE
HOLDER**

4,047,773 * 9/1977 Semany 312/111
5,152,594 * 10/1992 Ashley 312/270.1
5,975,658 * 11/1999 Verbeek et al. 312/209

(76) Inventor: **Richard T Chavez**, 3901 Lafayette St.
NE. #2 Unit 191, Albuquerque, NM
(US) 87107

* cited by examiner

Primary Examiner—Cathron Brooks

(**) Term: **14 Years**

(57) **CLAIM**

(21) Appl. No.: **29/120,467**

The ornamental design for a stackable compact video tape holder, as shown and described.

(22) Filed: **Mar. 17, 2000**

DESCRIPTION

(51) **LOC (7) Cl.** **06-04**

(52) **U.S. Cl.** **D6/628; D6/445**

(58) **Field of Search** D6/429, 432, 445,
D6/446, 407, 626, 627, 628, 632; 312/9.1,
9.58, 9.64, 204, 258

FIG. 1 is a top, front, right side perspective view of the stackable compact video tape holder of the present invention;

FIG. 2 is a front elevational view of the stackable compact video tape holder of FIG. 1;

FIG. 3 is a rear elevational view of the stackable compact video tape holder of FIG. 1;

FIG. 4 is a left side elevational view of the stackable compact video tape holder of FIG. 1, the right view being a mirror image thereof;

FIG. 5 is a top plan view of the stackable compact video tape holder of FIG. 1; and,

FIG. 6 is a bottom plan view of the stackable compact video tape holder of FIG. 1.

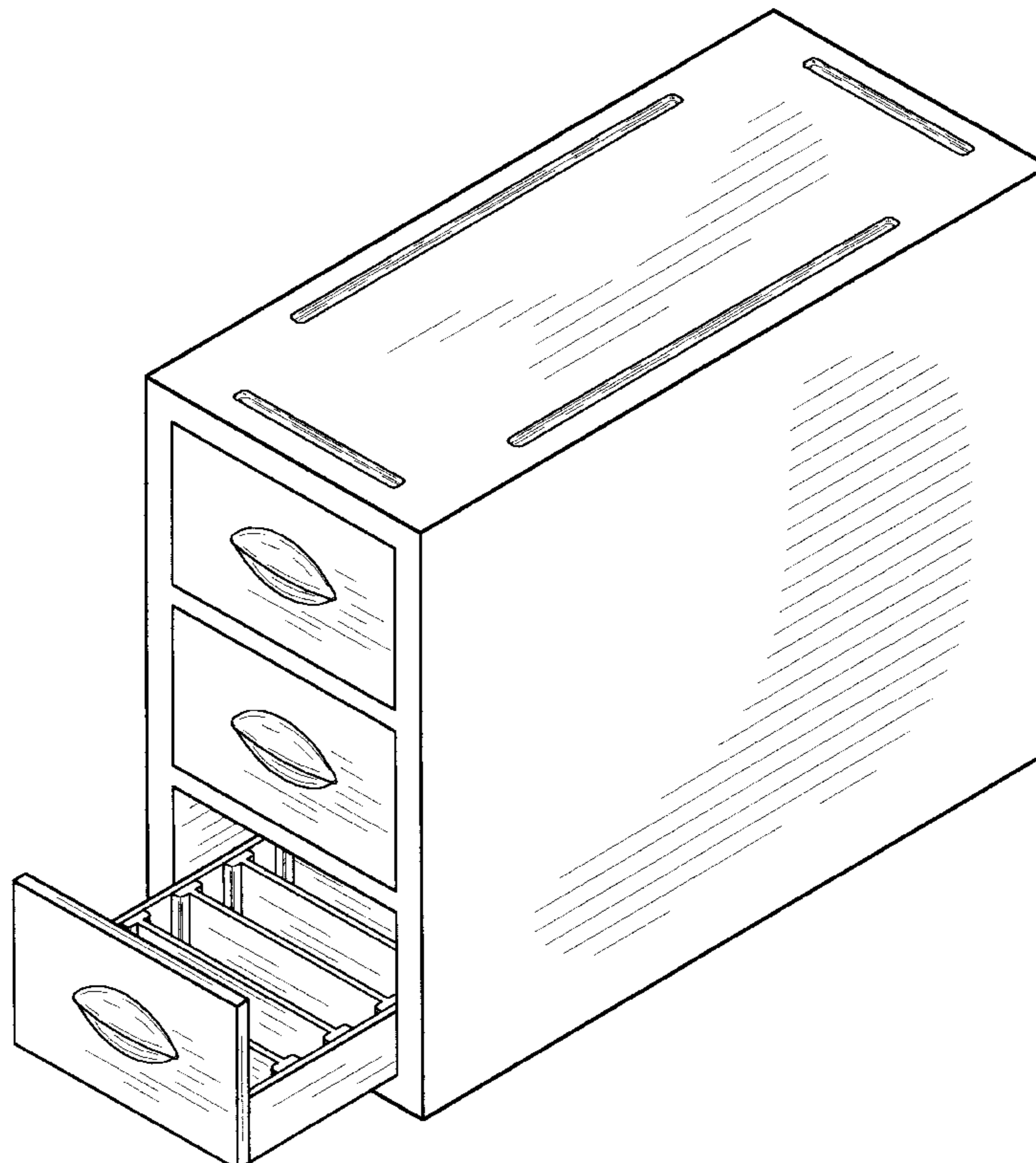
The surface(s) or portion(s) of the article not shown in the drawing or described in the specification form(s) no part of the claimed design.

(56) **References Cited**

U.S. PATENT DOCUMENTS

D. 199,069	*	9/1964	Sundberg	D6/446
D. 229,140	*	11/1973	Peckenpaugh	D6/446
D. 258,848	*	4/1981	Ackeret	D6/628
D. 260,051	*	8/1981	Ackeret	D6/628
D. 276,574	*	12/1984	Ackeret	D6/628
D. 387,923	*	12/1997	McKinney	D6/429
D. 410,351	*	6/1999	Magnusson et al.	D6/446
D. 419,333	*	1/2000	Verbeek et al.	D6/445
1,847,986	*	3/1932	Schuette	312/204
2,649,350	*	8/1953	Backus et al.	312/258
2,893,805	*	7/1959	Ferguson	312/204
3,112,967	*	12/1963	Hood	312/204 X

1 Claim, 3 Drawing Sheets



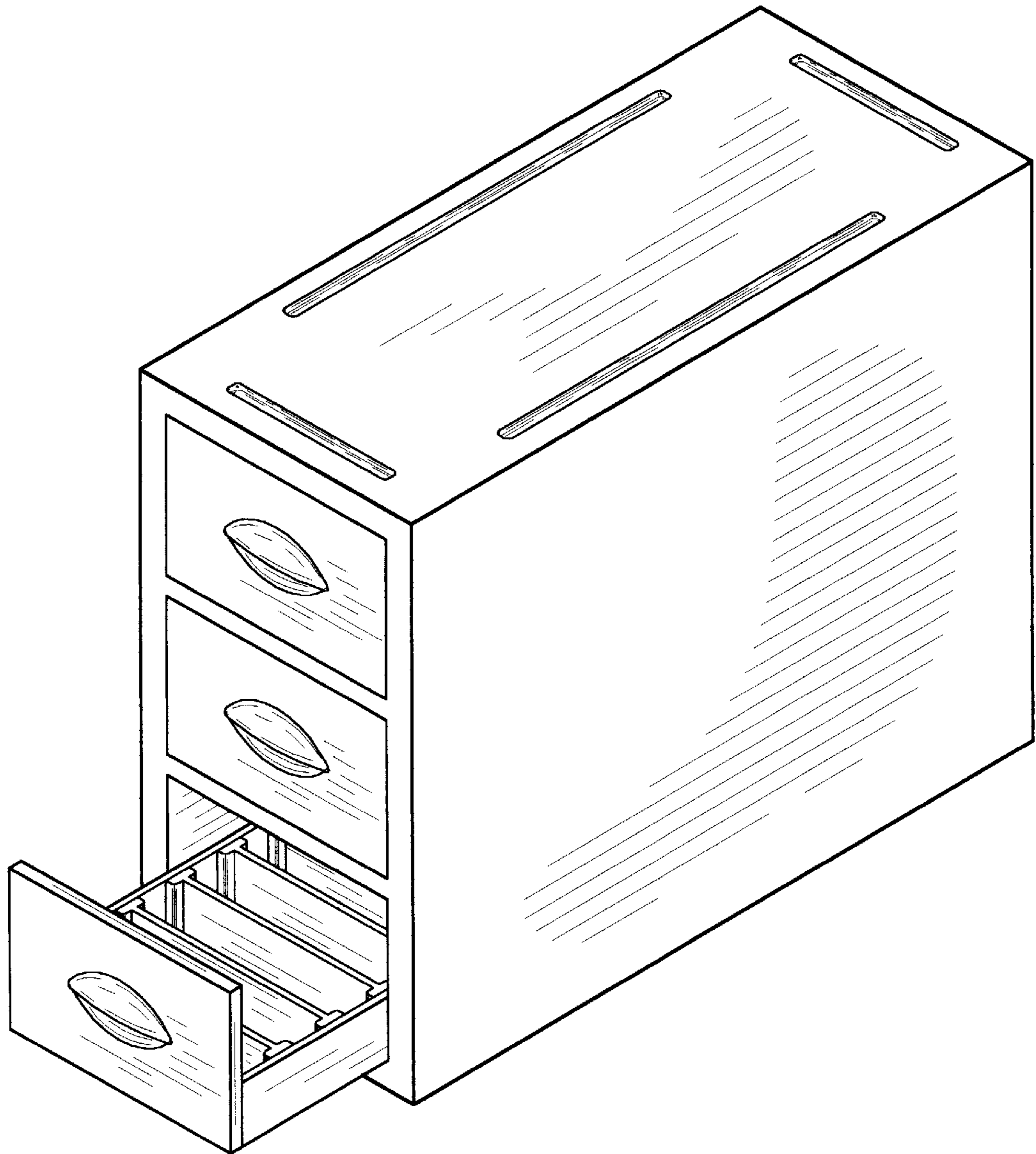


Fig. 1

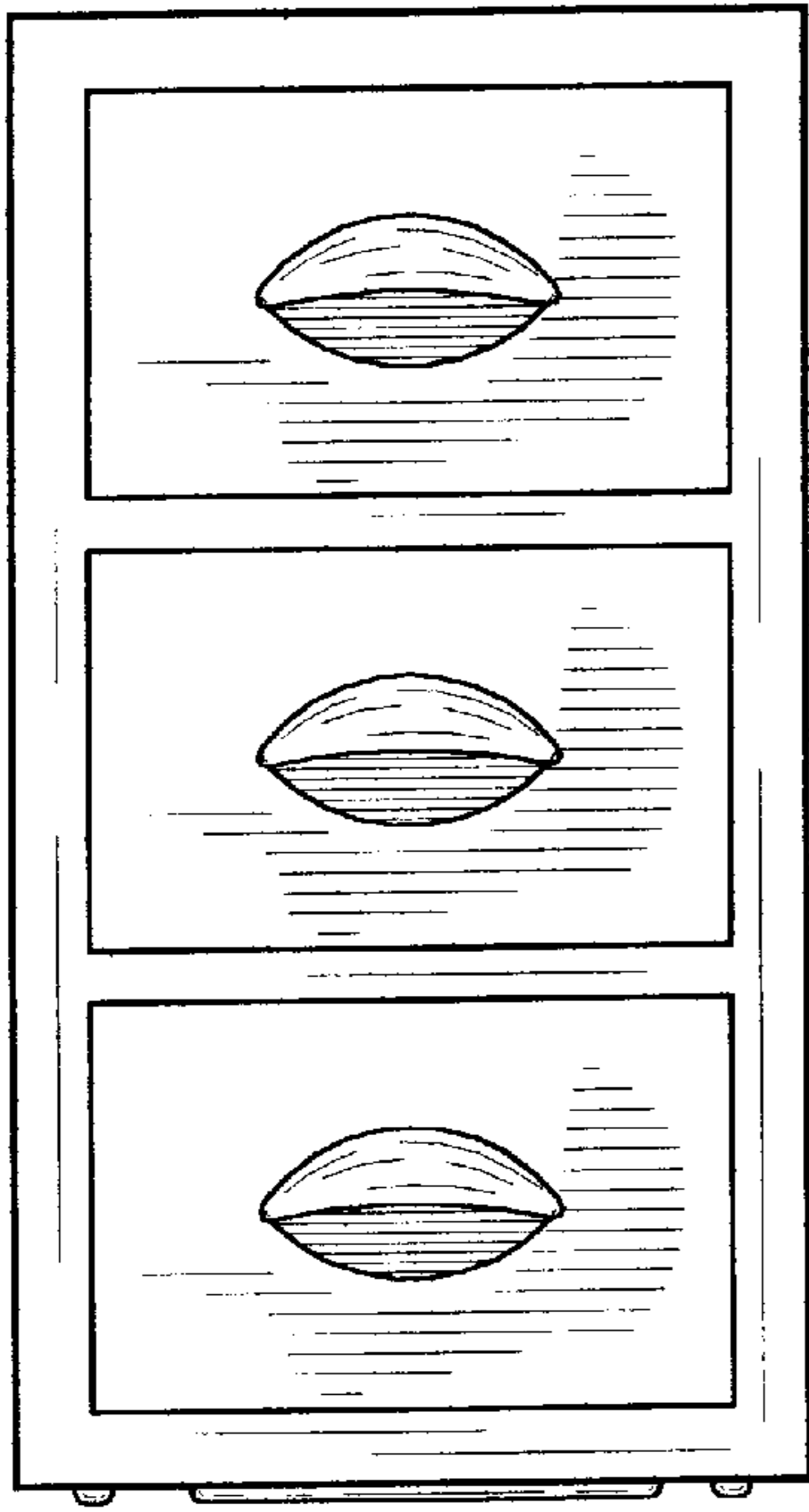


Fig. 2

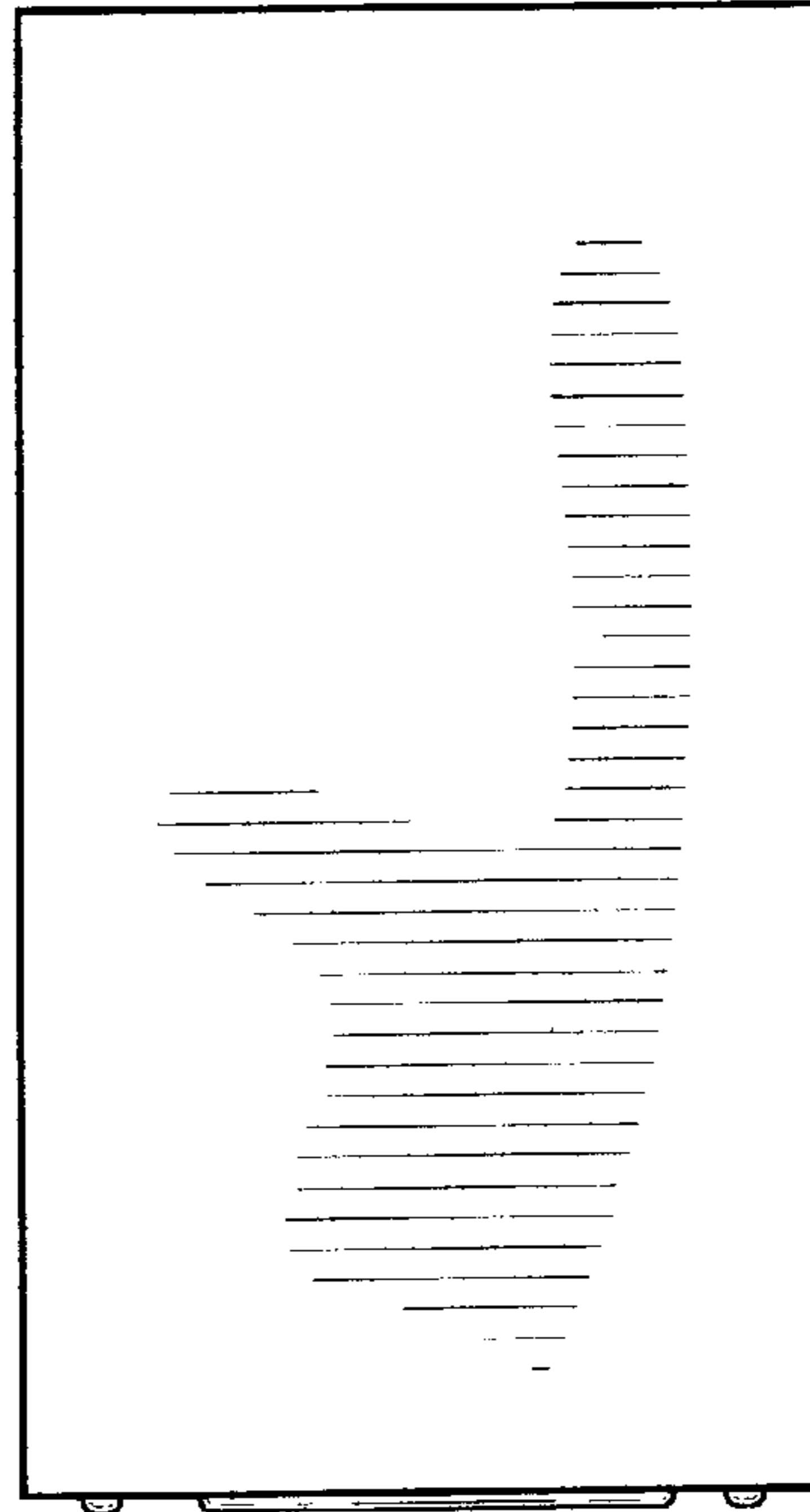


Fig. 3

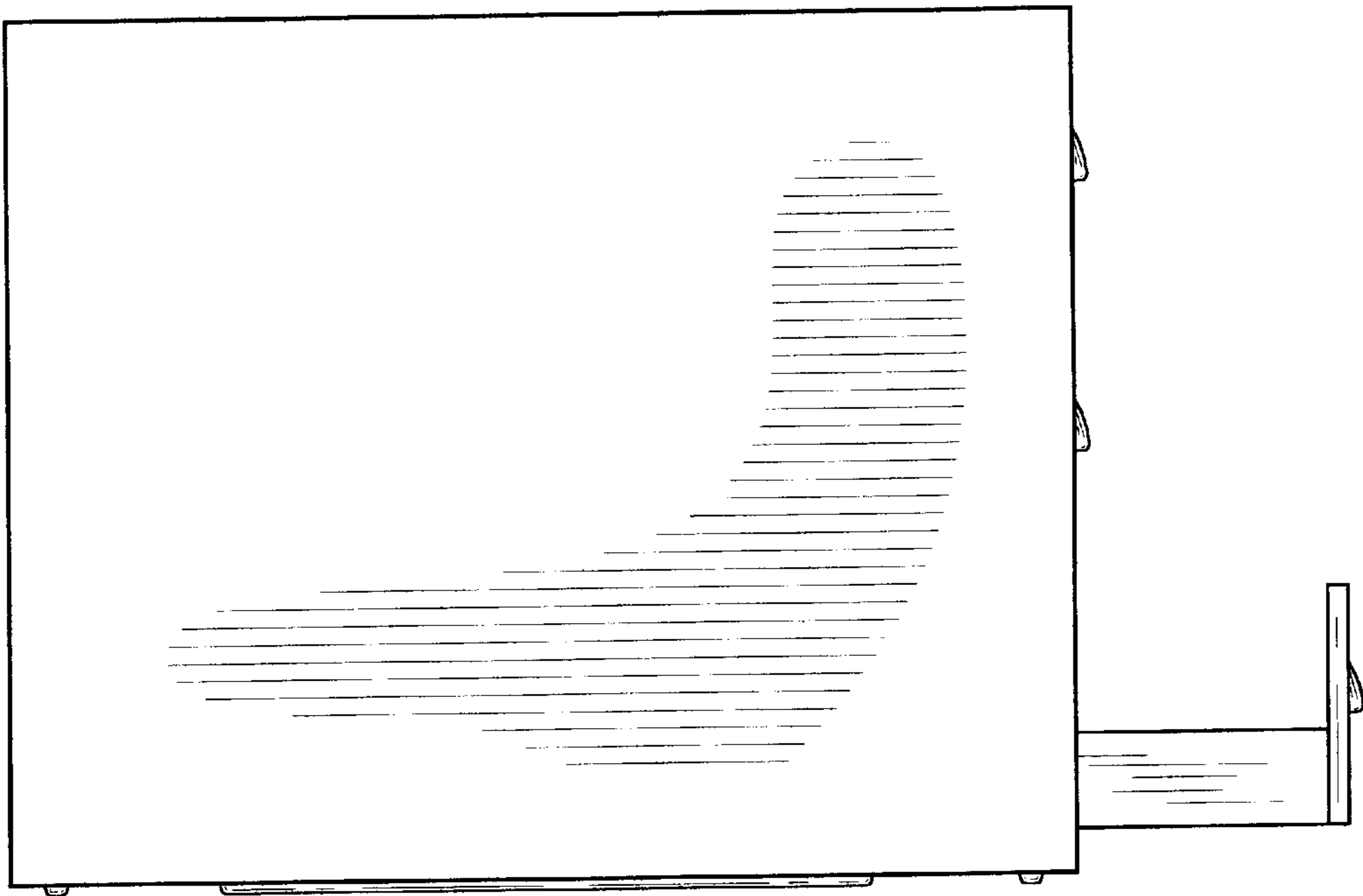


Fig. 4

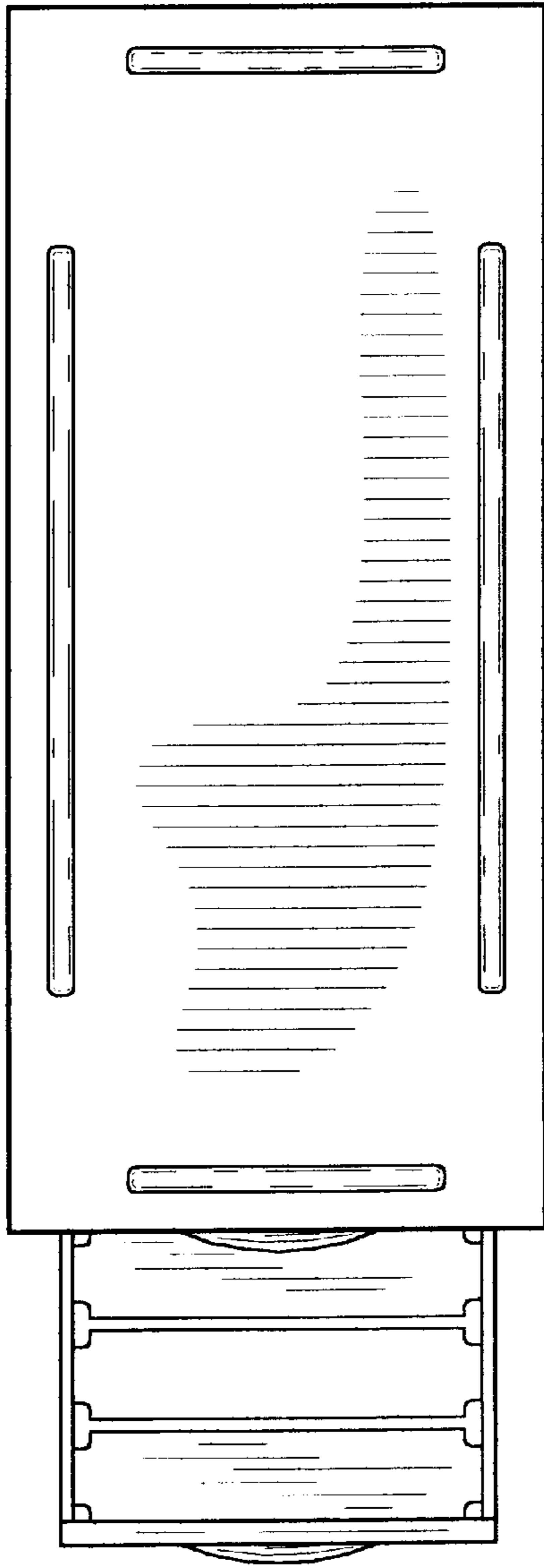


Fig. 5

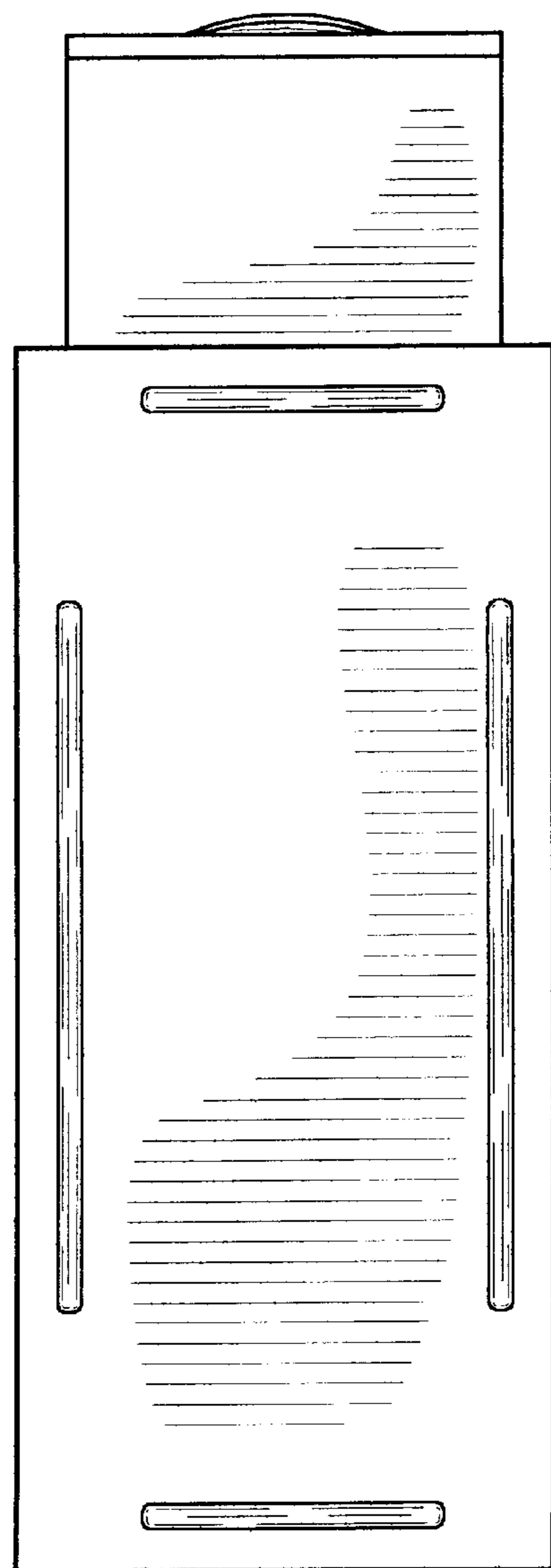


Fig. 6