



US00D438046S

(12) **United States Design Patent**  
**Palm**

(10) **Patent No.:** **US D438,046 S**

(45) **Date of Patent:** **\*\* Feb. 27, 2001**

(54) **SURGICAL PILLOW**

D. 397,270 \* 8/1998 Maalouf ..... D6/601  
5,273,510 \* 12/1993 Puckett et al. .... 482/142

(75) Inventor: **Margaretha Palm**, Skene (SE)

\* cited by examiner

(73) Assignee: **Vastra Gotalands Regionen**,  
Vanersborg (SE)

*Primary Examiner*—Janice E. Seeger

(\*\*) Term: **14 Years**

(74) *Attorney, Agent, or Firm*—Samuels, Gauthier &  
Stevens, LLP

(21) Appl. No.: **29/115,231**

(57) **CLAIM**

(22) Filed: **Dec. 9, 1999**

The ornamental design for a surgical pillow, as shown and described.

(30) **Foreign Application Priority Data**

**DESCRIPTION**

Jun. 9, 1999 (SE) ..... 99-1062

(51) **LOC (7) Cl.** ..... **06-09**

FIG. 1 is a perspective view showing my surgical pillow obliquely from above from a first short side and a first long side thereof.

(52) **U.S. Cl.** ..... **D6/601**

(58) **Field of Search** ..... D6/595-597, 601,  
D6/604; 5/630, 632, 636, 638, 640, 644,  
652, 652.1, 653-655, 657.5, 907, 646, 648

FIG. 2 is a perspective view showing my surgical pillow from below from the first short side and from the first long side thereof; and,

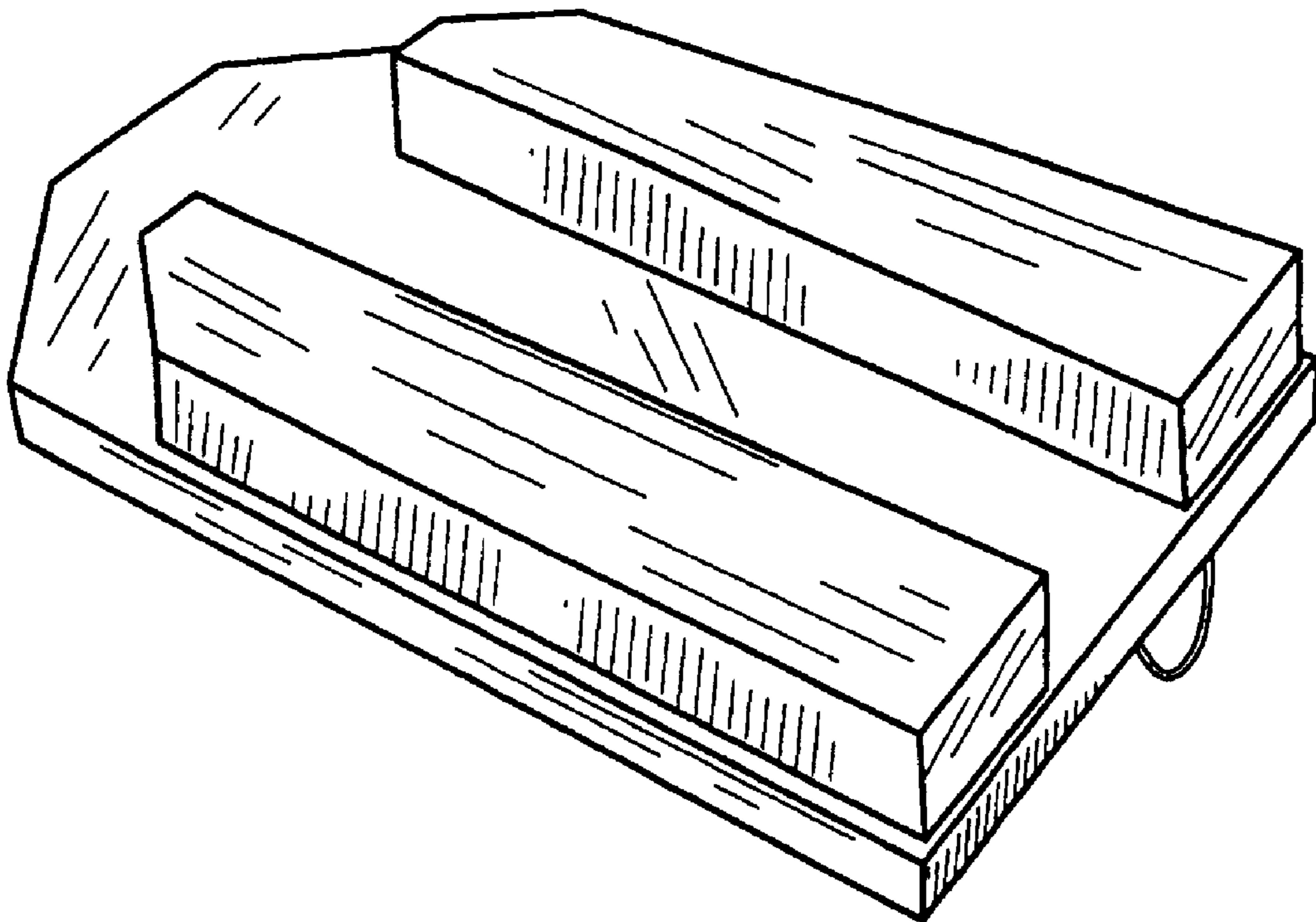
(56) **References Cited**

FIG. 3 is a perspective view from above and from the second short side thereof.

**U.S. PATENT DOCUMENTS**

D. 391,111 \* 2/1998 Graebe et al. .... D6/601

**1 Claim, 1 Drawing Sheet**



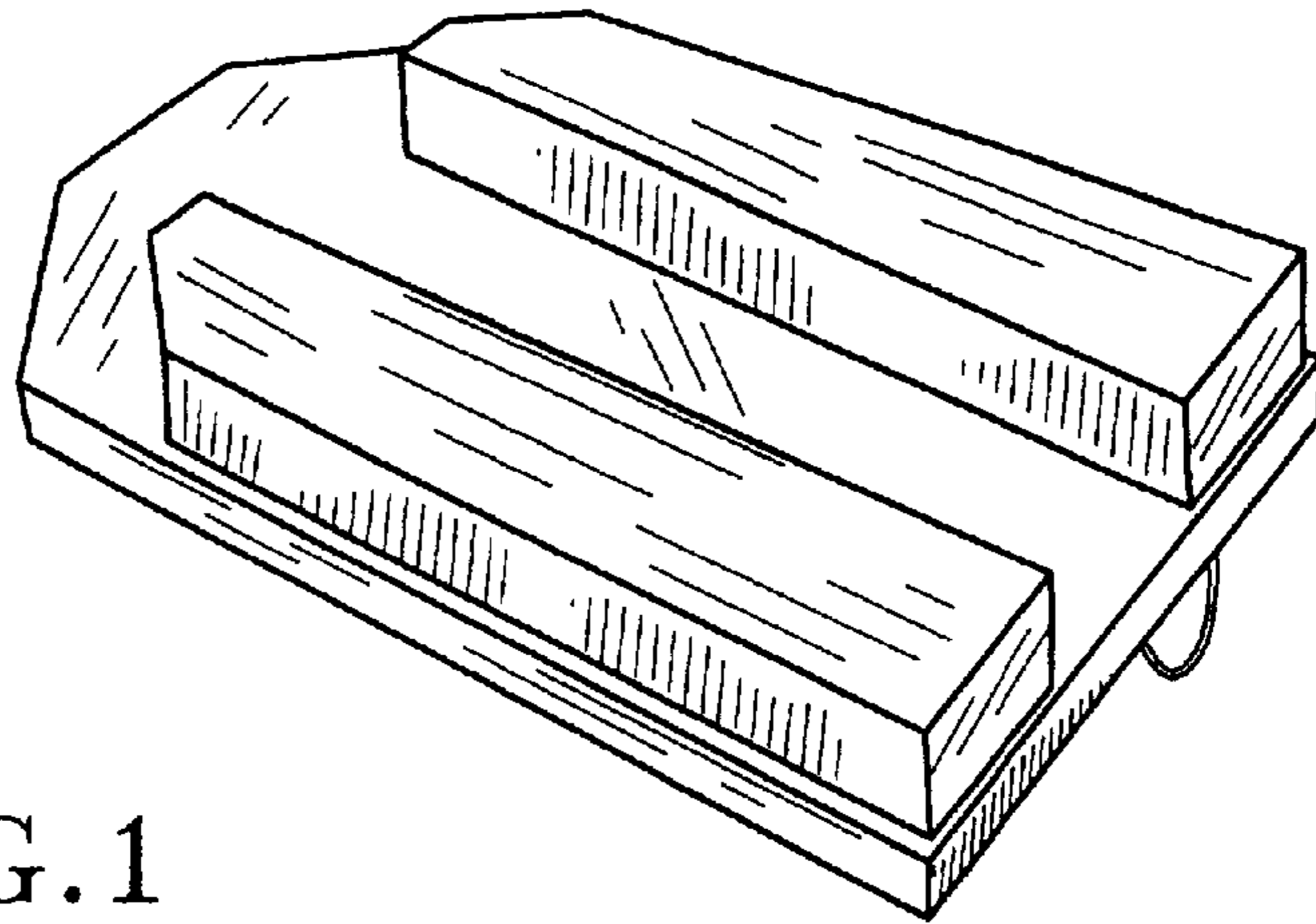


FIG. 1

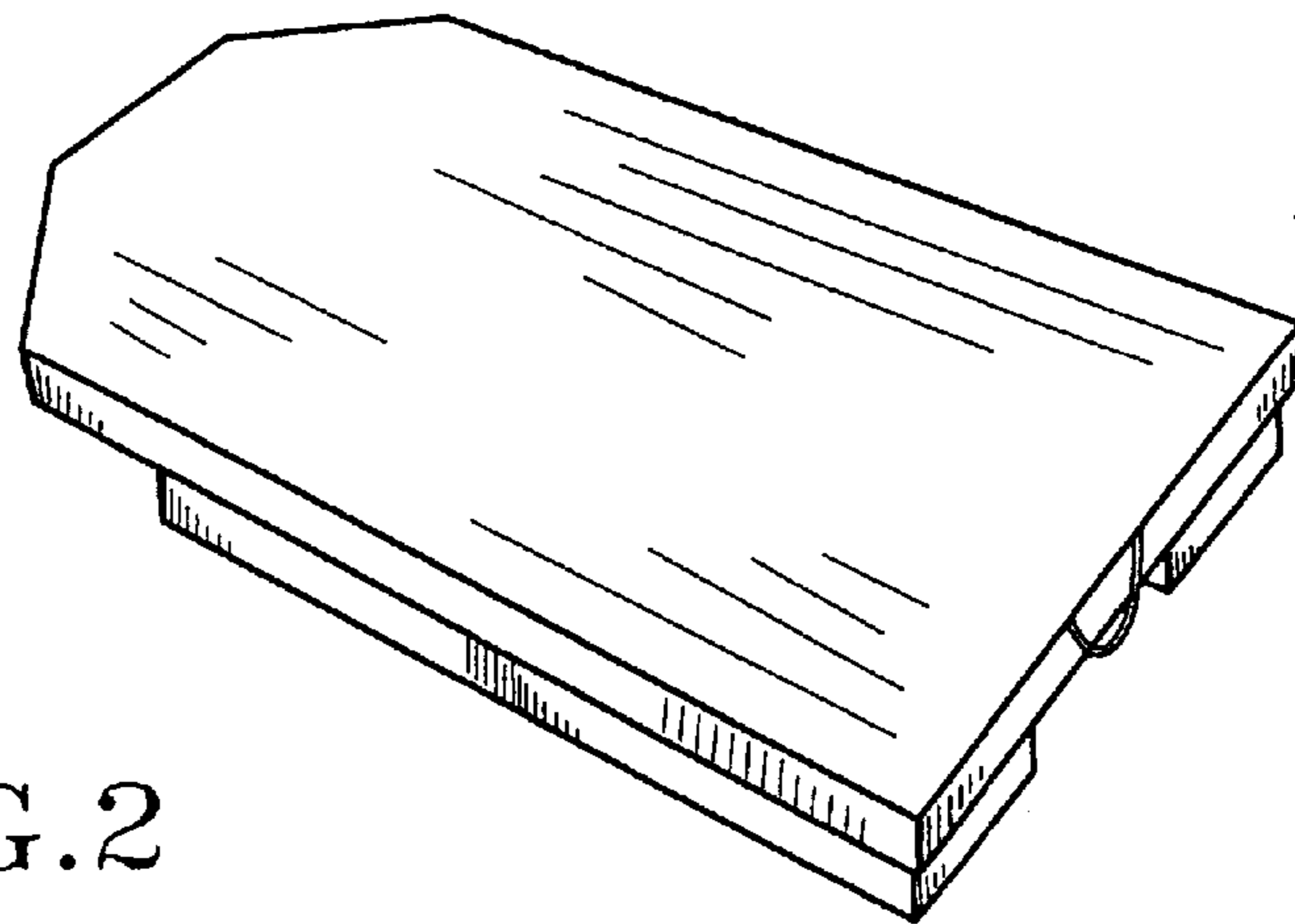


FIG. 2

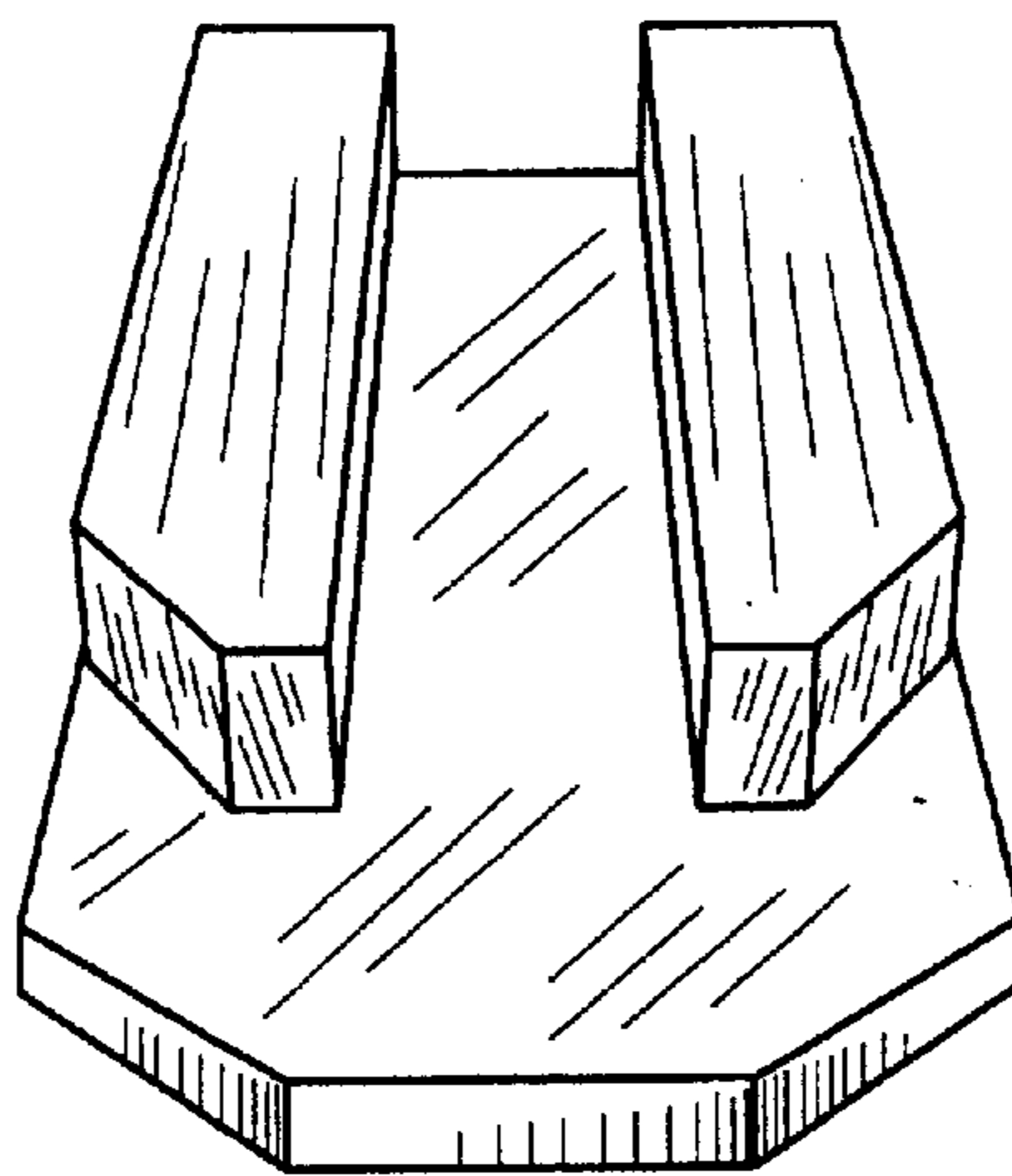


FIG. 3