



US00D438045S

(12) **United States Design Patent**
Liu

(10) **Patent No.:** **US D438,045 S**

(45) **Date of Patent:** **** Feb. 27, 2001**

(54) **TILT ROD SUPPORT FOR A VENETIAN BLIND**

5,538,066 * 7/1996 Lin 160/173

* cited by examiner

(76) **Inventor:** **Tai-Ping Liu**, No. 15, Alley 8, Lane 3,
Kuo-Chi St., Lung-Ching Hsiang,
Taichung Hsien (TW)

Primary Examiner—Mitchell Siegel
(74) *Attorney, Agent, or Firm*—Welsh & Katz, Ltd.

(**) **Term:** **14 Years**

(57) **CLAIM**

The ornamental design for a tilt rod support for a venetian blind, as shown.

(21) **Appl. No.:** **29/118,042**

(22) **Filed:** **Feb. 3, 2000**

DESCRIPTION

(51) **LOC (7) Cl.** **06-10**

(52) **U.S. Cl.** **D6/580**

(58) **Field of Search** D6/580, 577, 575;
D8/354; 160/168.1, 173, 177, 176, 178.1

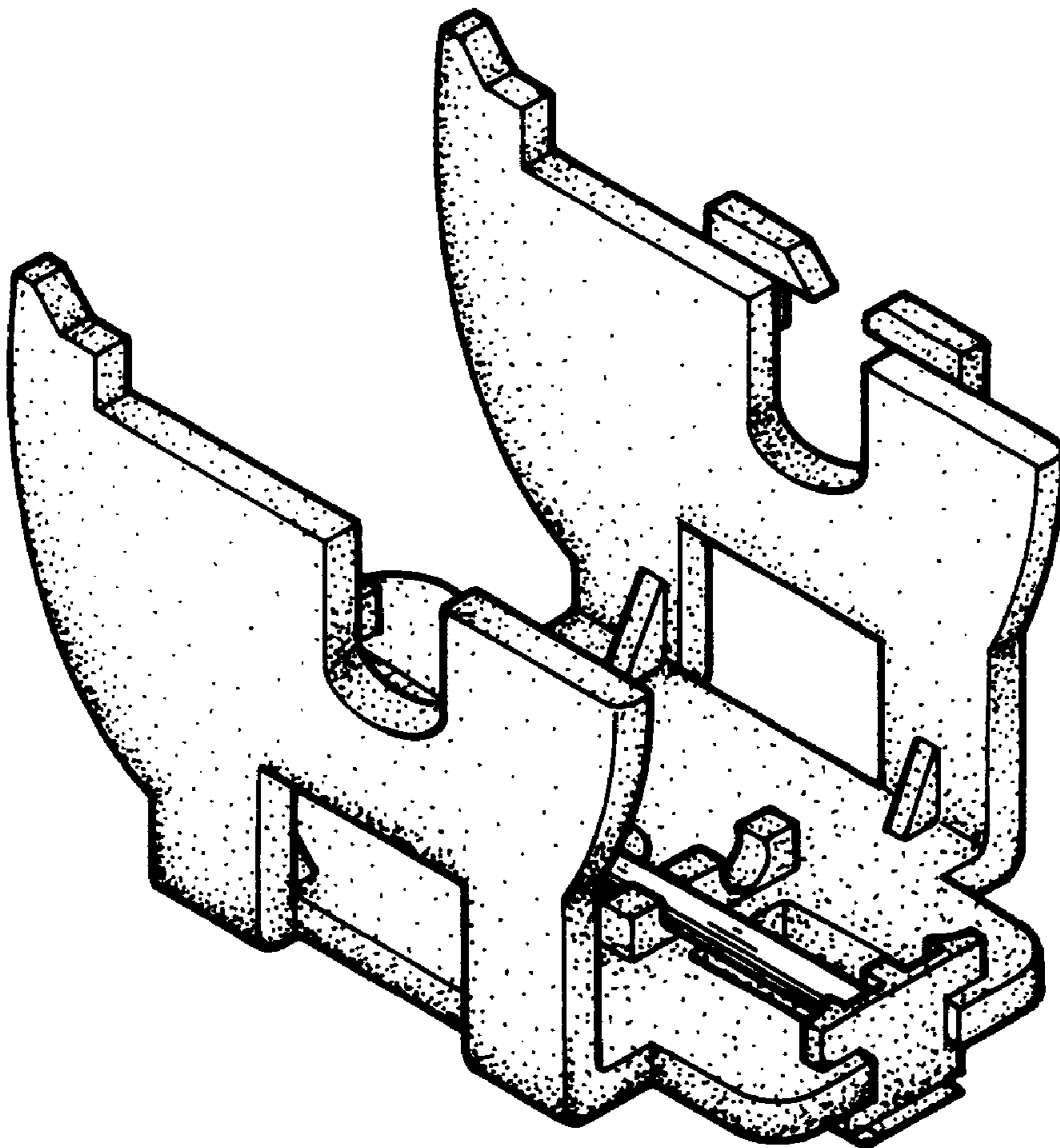
FIG. 1 is a front-left-top perspective view of a tilt rod support for a venetian blind, showing my new design;
FIG. 2 is a front view thereof;
FIG. 3 is a rear view thereof;
FIG. 4 is a left side view thereof;
FIG. 5 is a right side view thereof;
FIG. 6 is a top plan view thereof; and,
FIG. 7 is a bottom plan view thereof.

(56) **References Cited**

U.S. PATENT DOCUMENTS

D. 357,381 * 4/1995 Anderson D6/580
4,333,510 * 6/1982 Fox 160/177

1 Claim, 4 Drawing Sheets



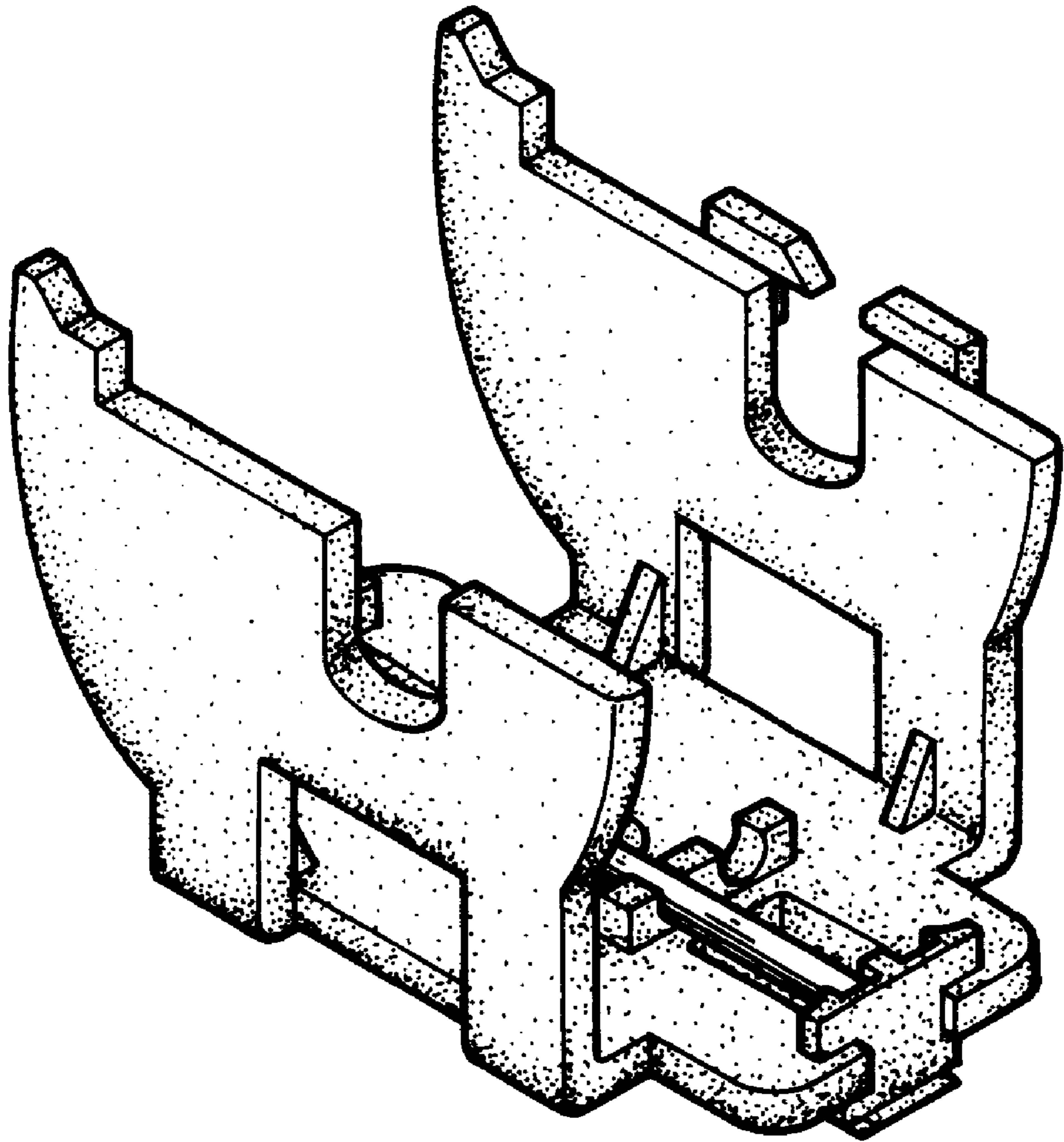


FIG. 1

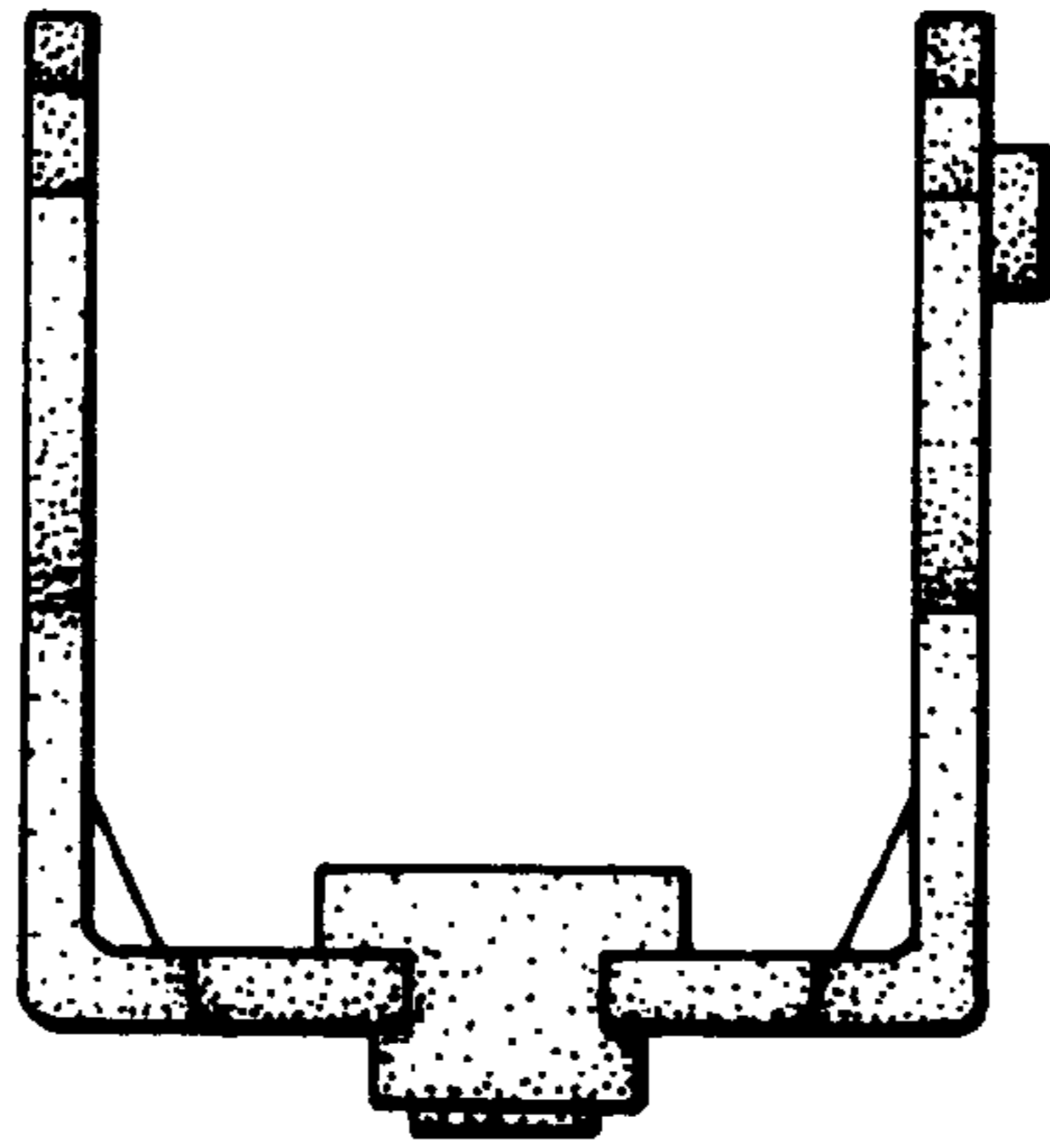


FIG. 2

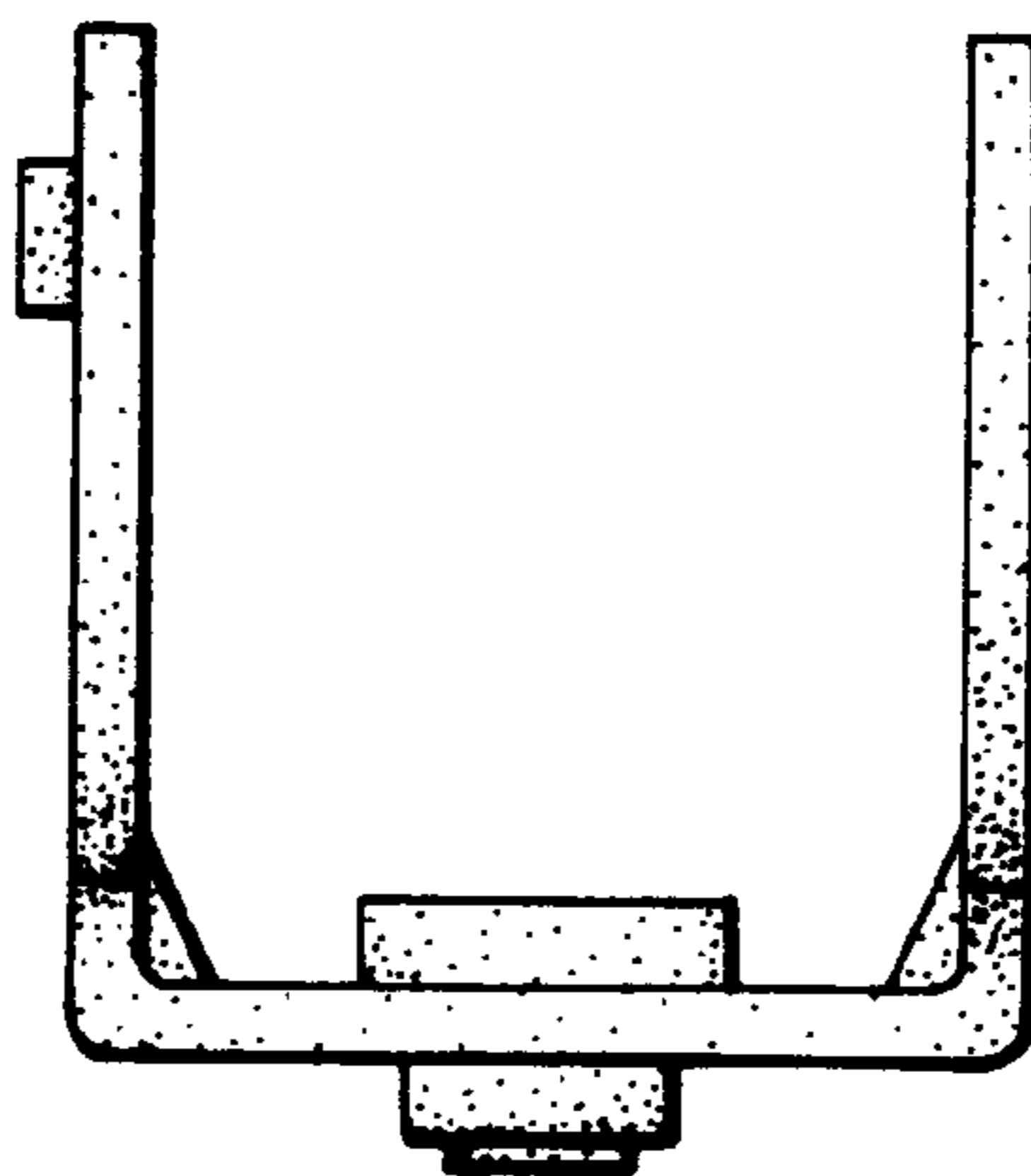


FIG. 3

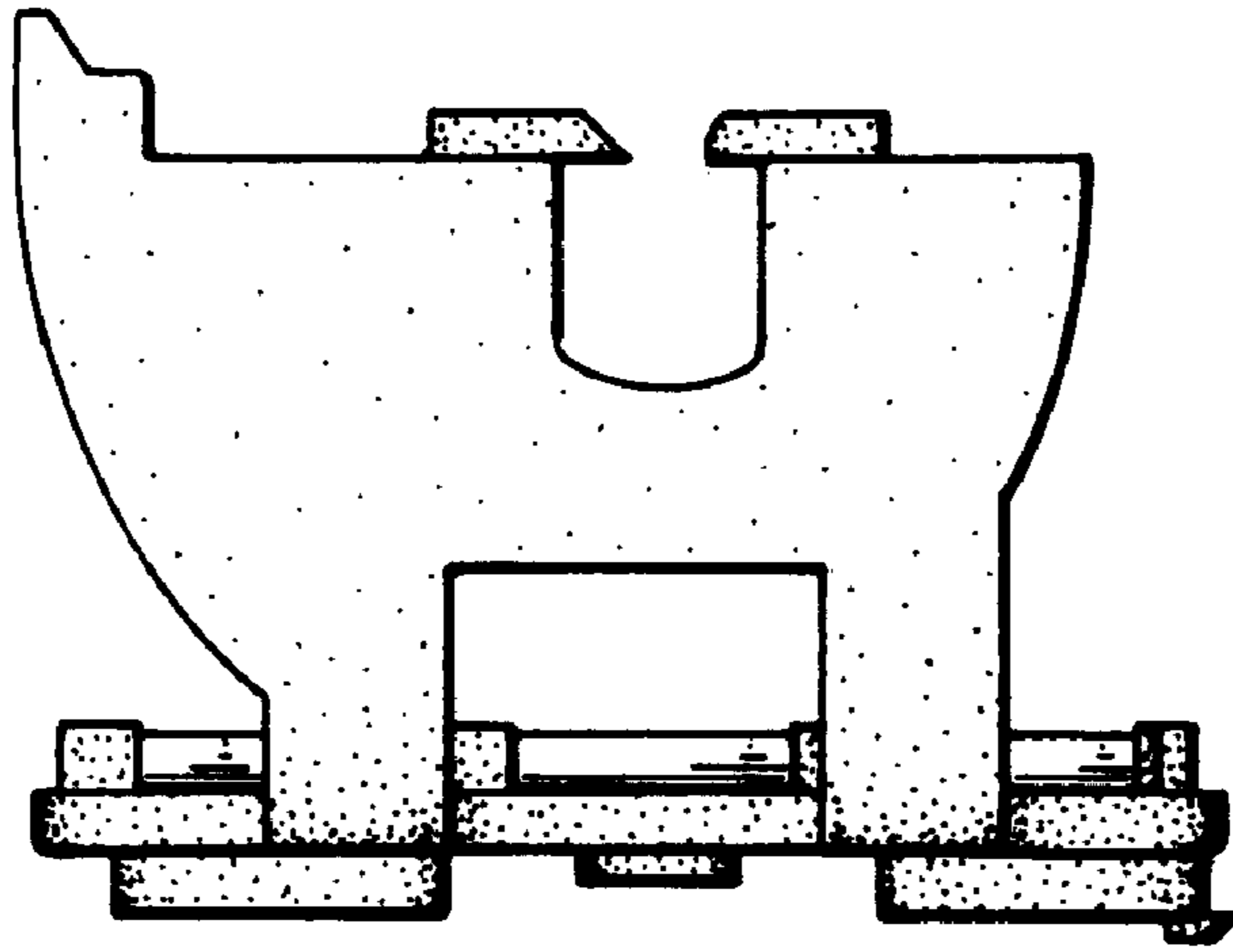


FIG. 4

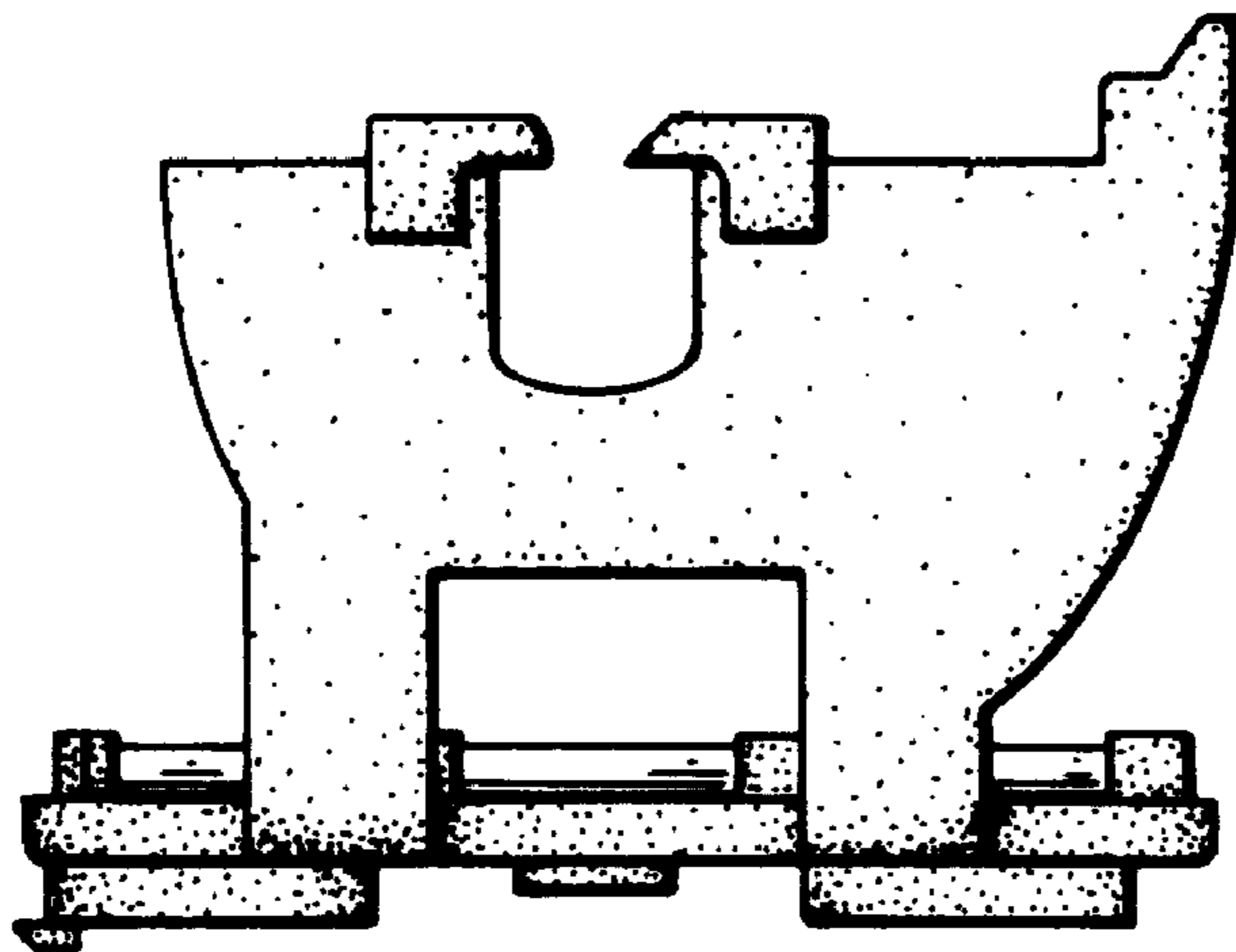


FIG. 5

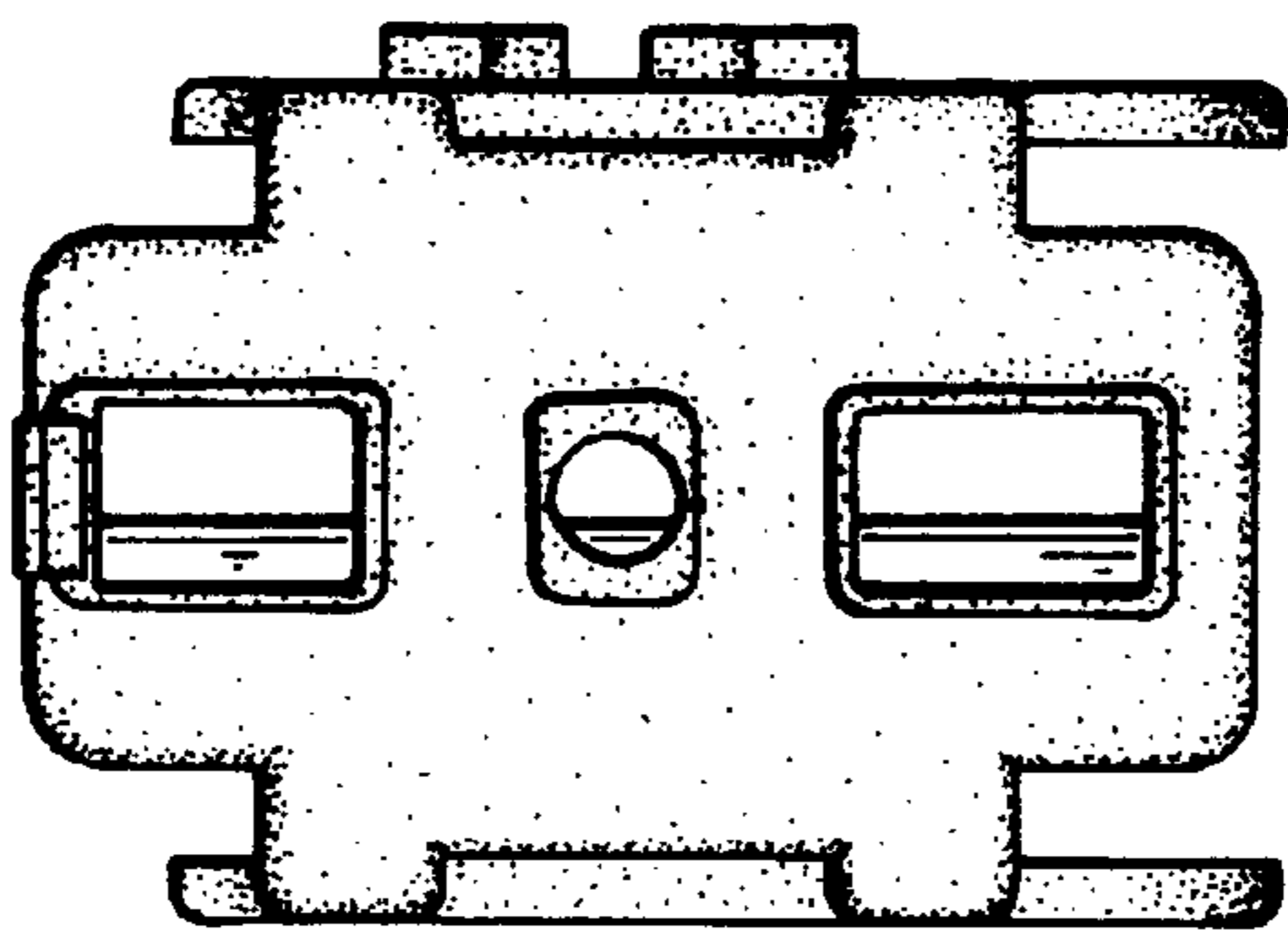


FIG. 7

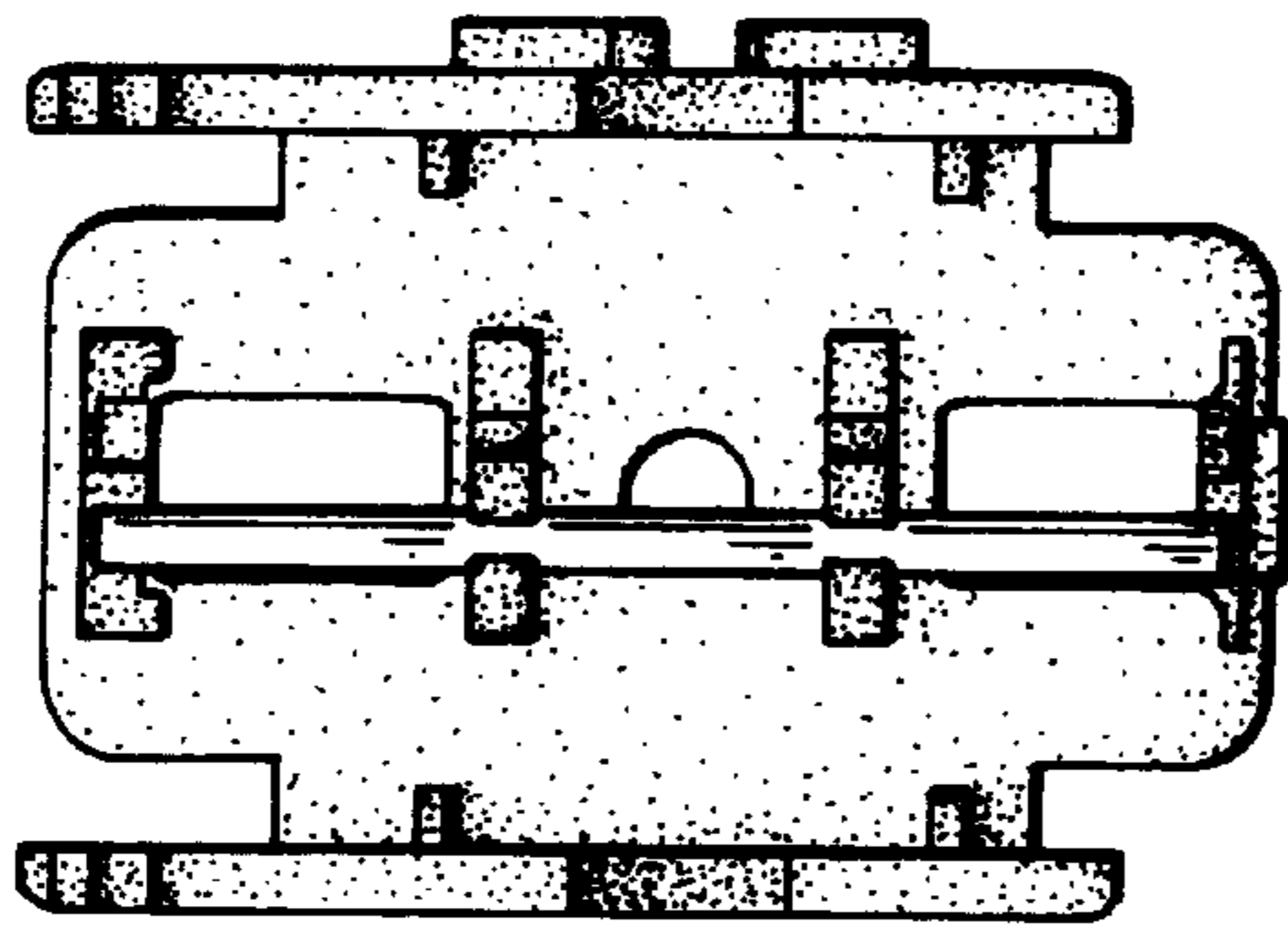


FIG. 6