



US00D438042S

(12) **United States Design Patent**
Hofman et al.

(10) **Patent No.:** **US D438,042 S**

(45) **Date of Patent:** **** Feb. 27, 2001**

(54) **WIRE TOTE**

D. 401,067 * 11/1998 Hampshire D3/309
5,379,536 * 1/1995 Lorenzana 211/181.1 X

(75) Inventors: **James A. Hofman**, Hockessin, DE
(US); **David Walker**, Chester, PA (US)

* cited by examiner

(73) Assignee: **Zenith Products Corp.**, New Castle,
DE (US)

Primary Examiner—Brian N. Vinson

(74) *Attorney, Agent, or Firm*—Edgar A. Zarins; Lloyd D.
Doigan

(**) Term: **14 Years**

(57) **CLAIM**

(21) Appl. No.: **29/109,355**

The ornamental design for a wire tote, as shown and
described.

(22) Filed: **Aug. 13, 1999**

DESCRIPTION

(51) **LOC (7) Cl.** **06-04**

(52) **U.S. Cl.** **D6/566; D3/306; D3/307**

(58) **Field of Search** D6/525, 566; D3/304–306,
D3/201, 307, 308, 309, 315; 206/207, 581,
278, 315.1; 211/86–88, 181.1

FIG. 1 is a perspective view of a wire tote showing our new
design;

FIG. 2 is a front elevational view thereof;

FIG. 3 is a rear elevational view thereof;

FIG. 4 is a left side view thereof, the opposite side being a
mirror image of the side shown;

FIG. 5 is a top plan view thereof; and,

FIG. 6 is a bottom plan view thereof.

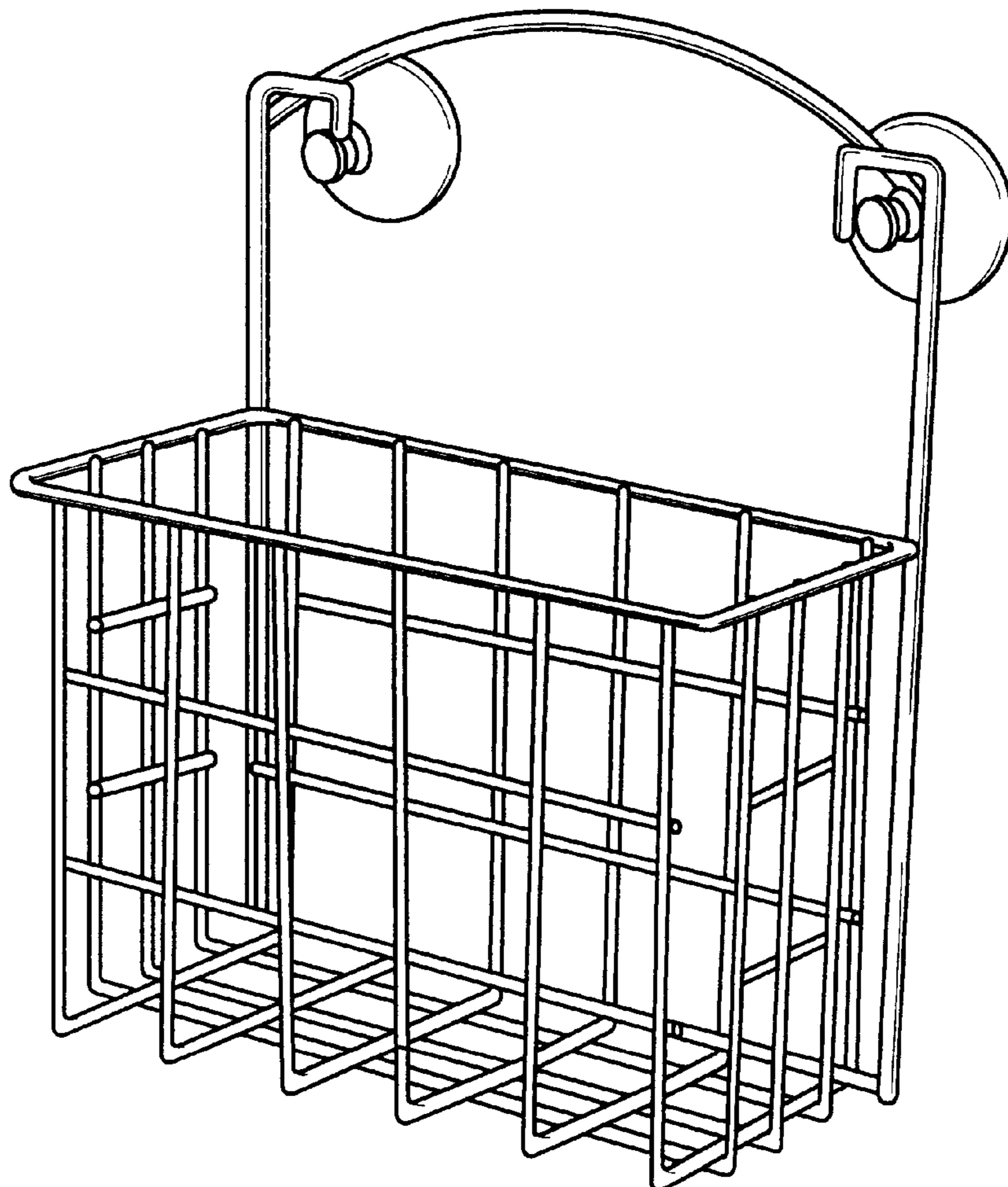
(56) **References Cited**

U.S. PATENT DOCUMENTS

D. 343,712 * 1/1994 Linder D3/306

D. 364,297 * 11/1995 Daniel D6/566 X

1 Claim, 3 Drawing Sheets



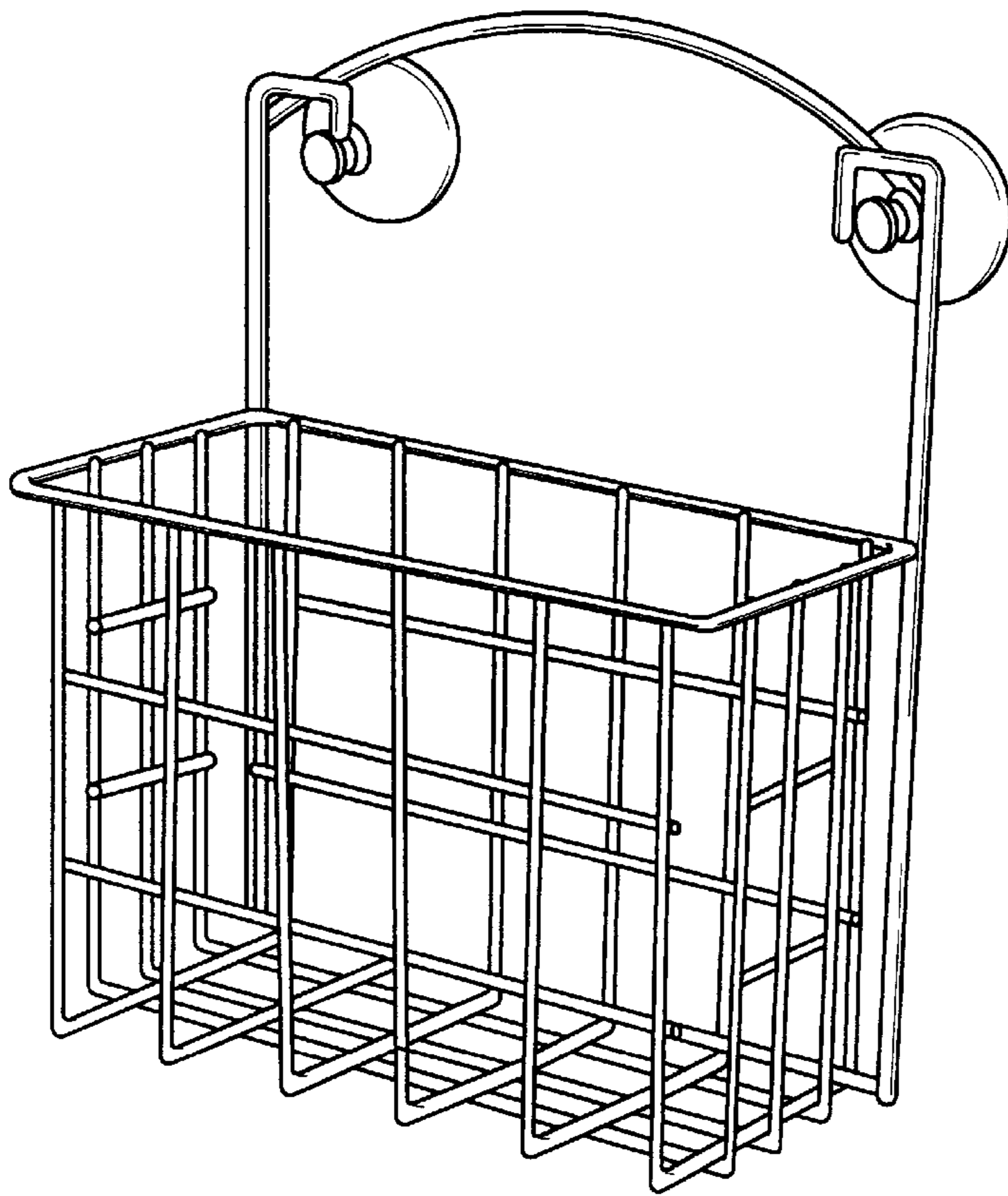


Fig-1

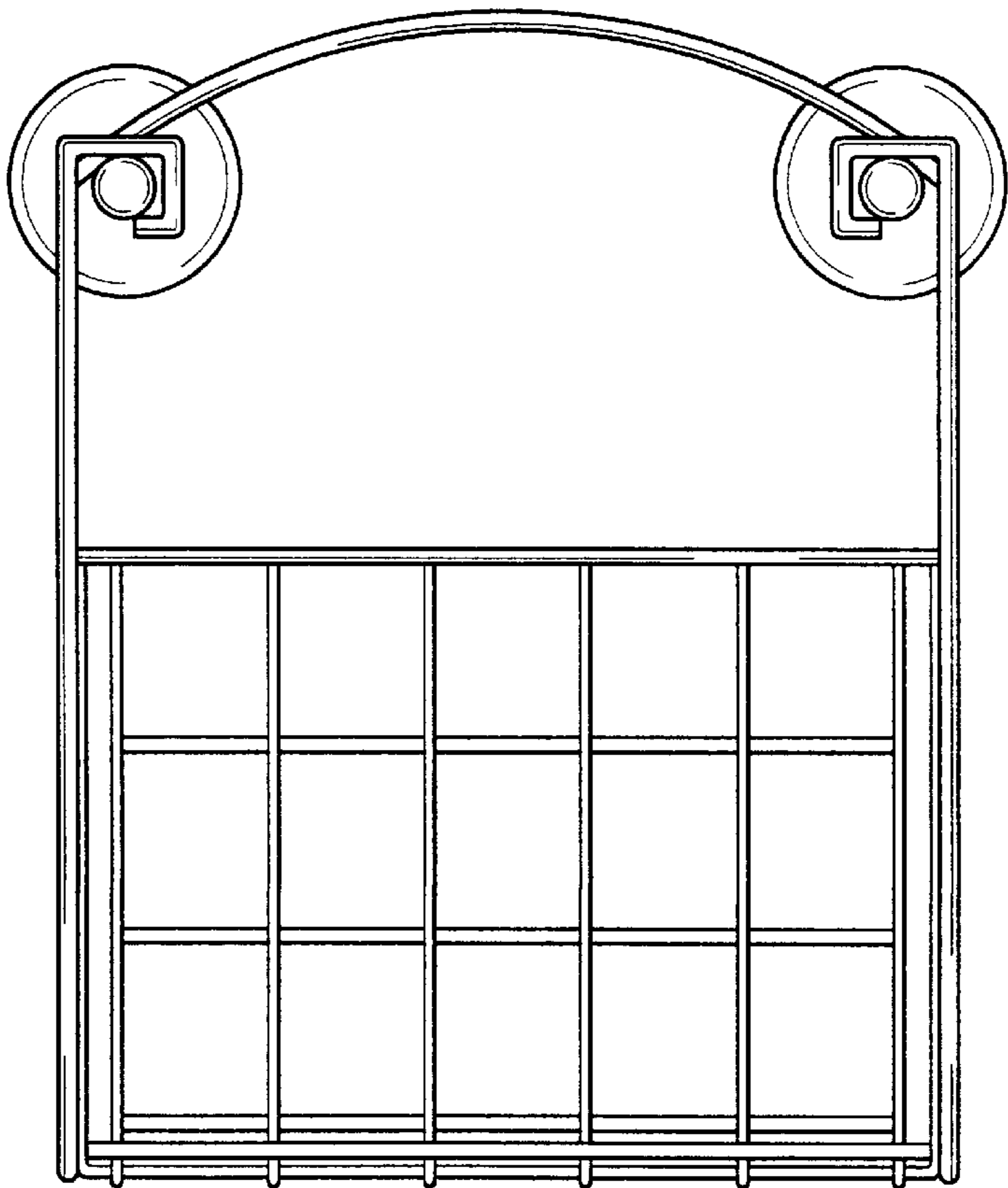


Fig-2

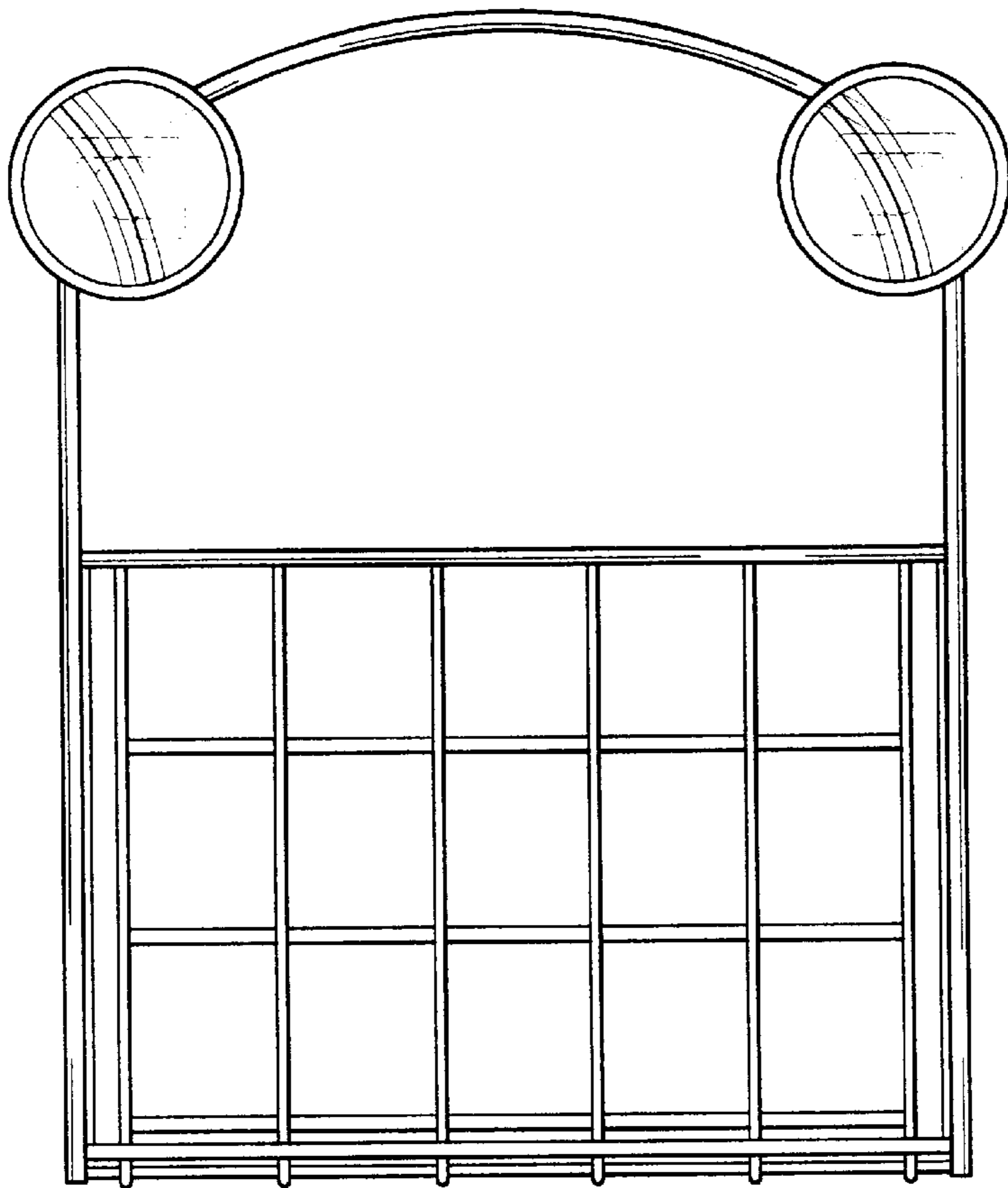


Fig-3

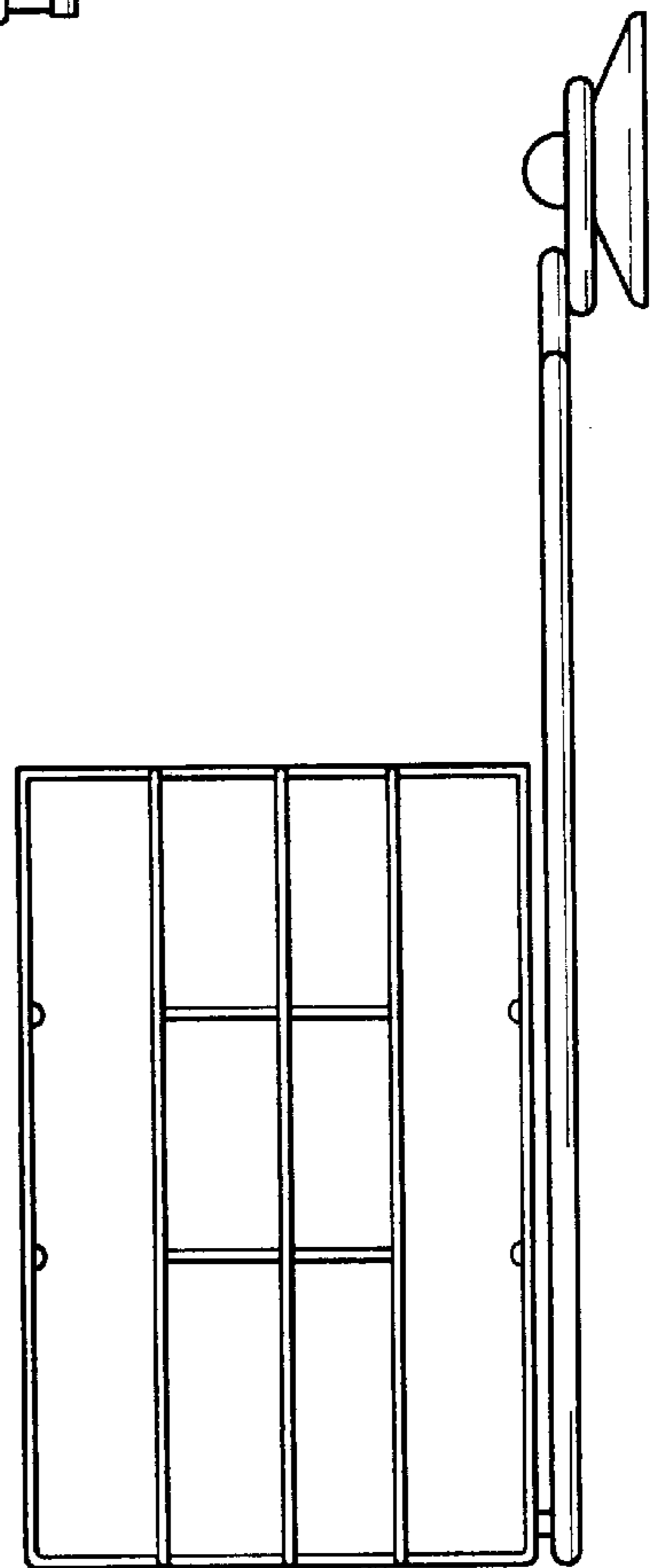


Fig-4

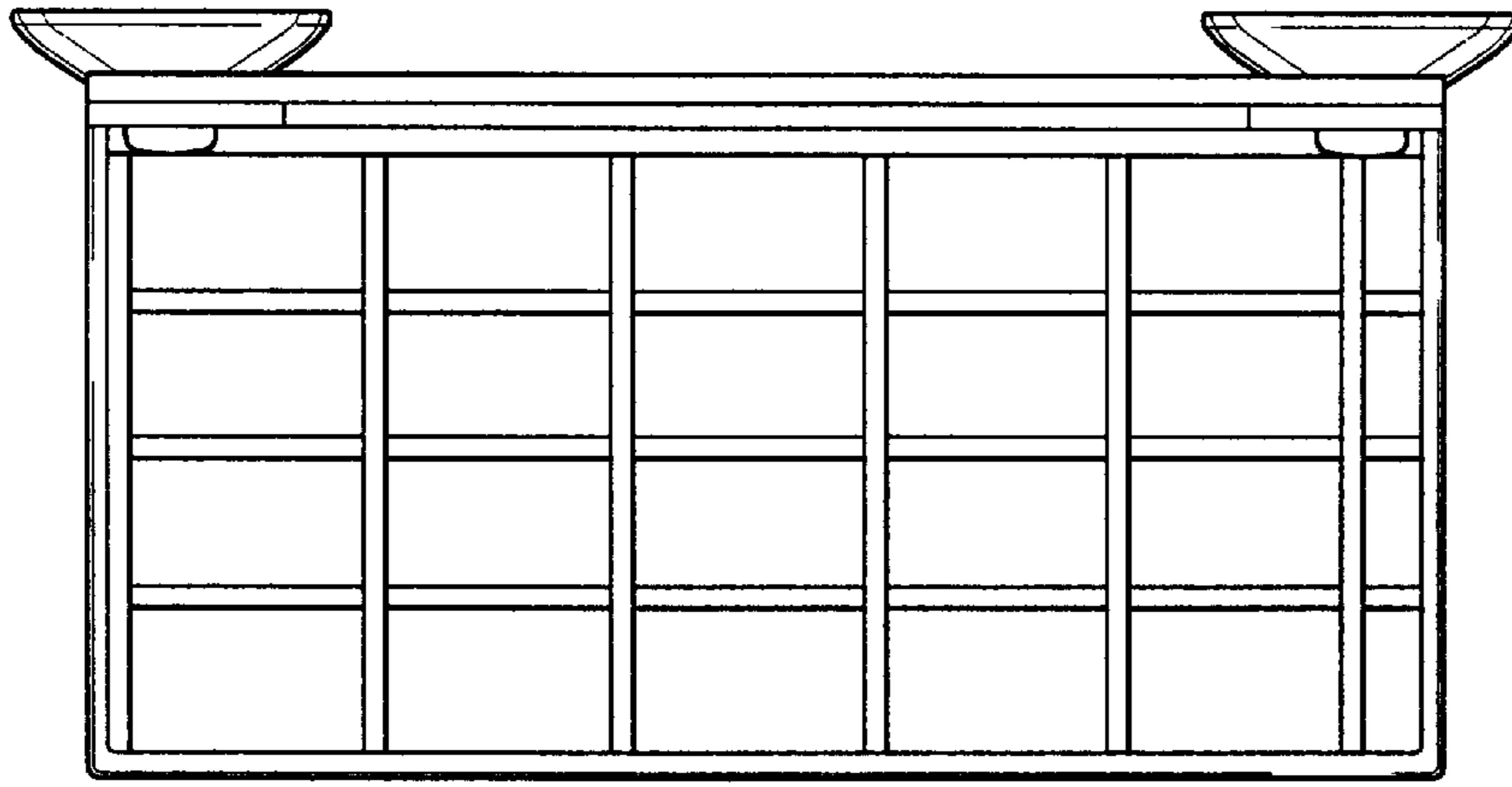


Fig-5

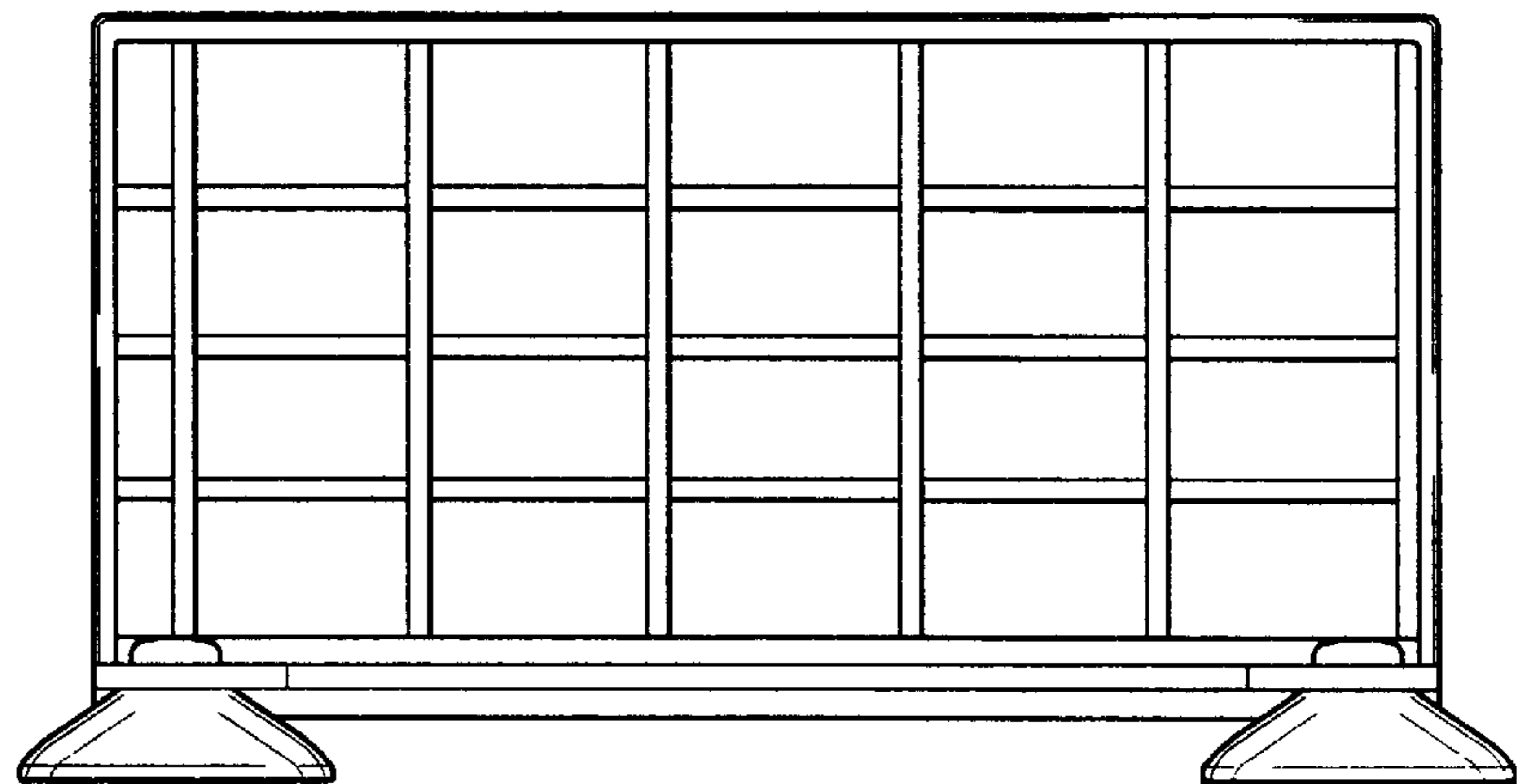


Fig-6