



US00D438041S

(12) **United States Design Patent**
Huang

(10) **Patent No.:** **US D438,041 S**

(45) **Date of Patent:** **** Feb. 27, 2001**

(54) **SOAP SUPPLIER**

(75) Inventor: **Lin-Chuan Huang**, Taichung (TW)

(73) Assignee: **TWI International Taiwan Inc.**,
Taichung (TW)

(**) Term: **14 Years**

(21) Appl. No.: **29/120,397**

(22) Filed: **Mar. 20, 2000**

(51) **LOC (7) Cl.** **23-02**

(52) **U.S. Cl.** **D6/542**

(58) **Field of Search** D6/542; 222/173,
222/180, 192, 630, 400.8, 464.1, 372, 384,
531, 533; D9/448

(56) **References Cited**

U.S. PATENT DOCUMENTS

- D. 335,415 * 5/1993 Brandenburg D6/542
- D. 349,649 * 8/1994 Hanna D9/448

- 2,652,952 * 9/1953 Mowbray 222/180 X
- 4,375,266 * 3/1983 Magers 222/153.13
- 4,625,896 * 12/1986 Rocchelli 222/180

* cited by examiner

Primary Examiner—Brian N. Vinson

(74) *Attorney, Agent, or Firm*—Charles E. Baxley

(57) **CLAIM**

The ornamental design for a soap supplier, as shown and described.

DESCRIPTION

FIG. 1 is a front elevational view of a soap supplier showing my new design; the rear elevational view being identical to that shown;

FIG. 2 is a left side elevational view thereof;

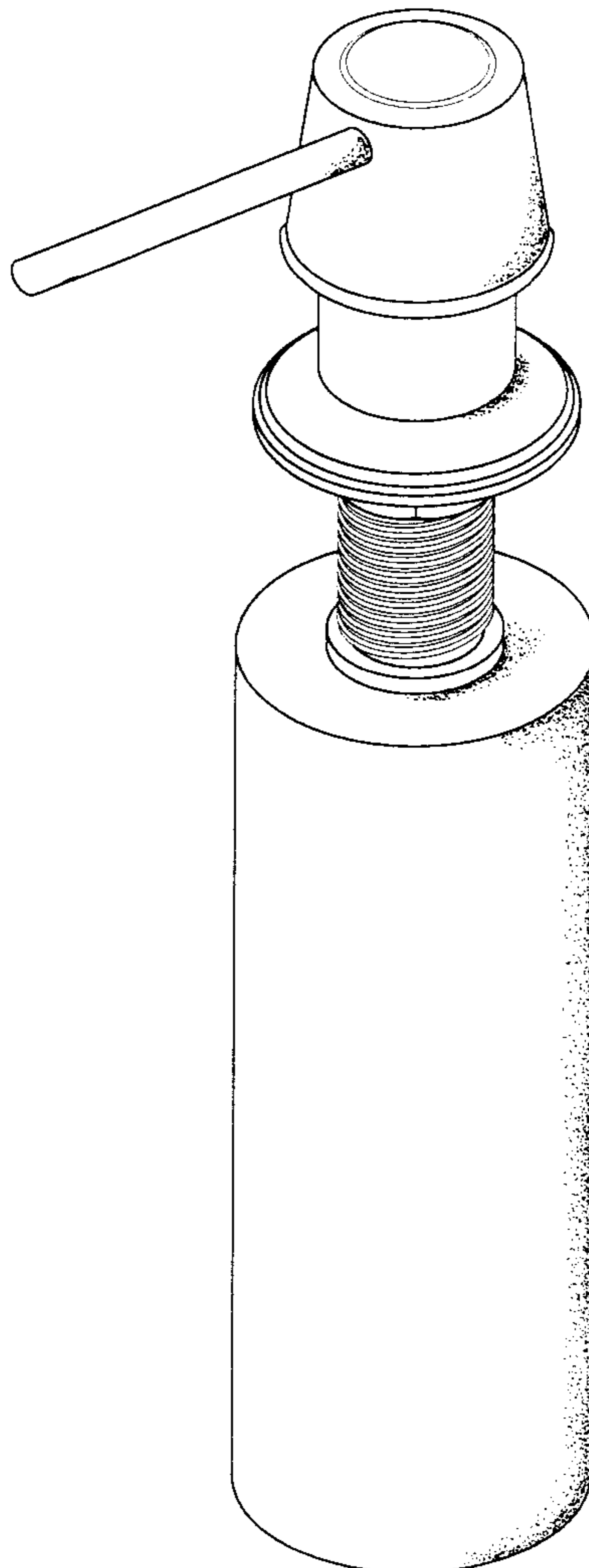
FIG. 3 is a right side elevational view thereof;

FIG. 4 is a top plan view thereof;

FIG. 5 is a bottom view thereof; and,

FIG. 6 is a perspective view thereof.

1 Claim, 6 Drawing Sheets



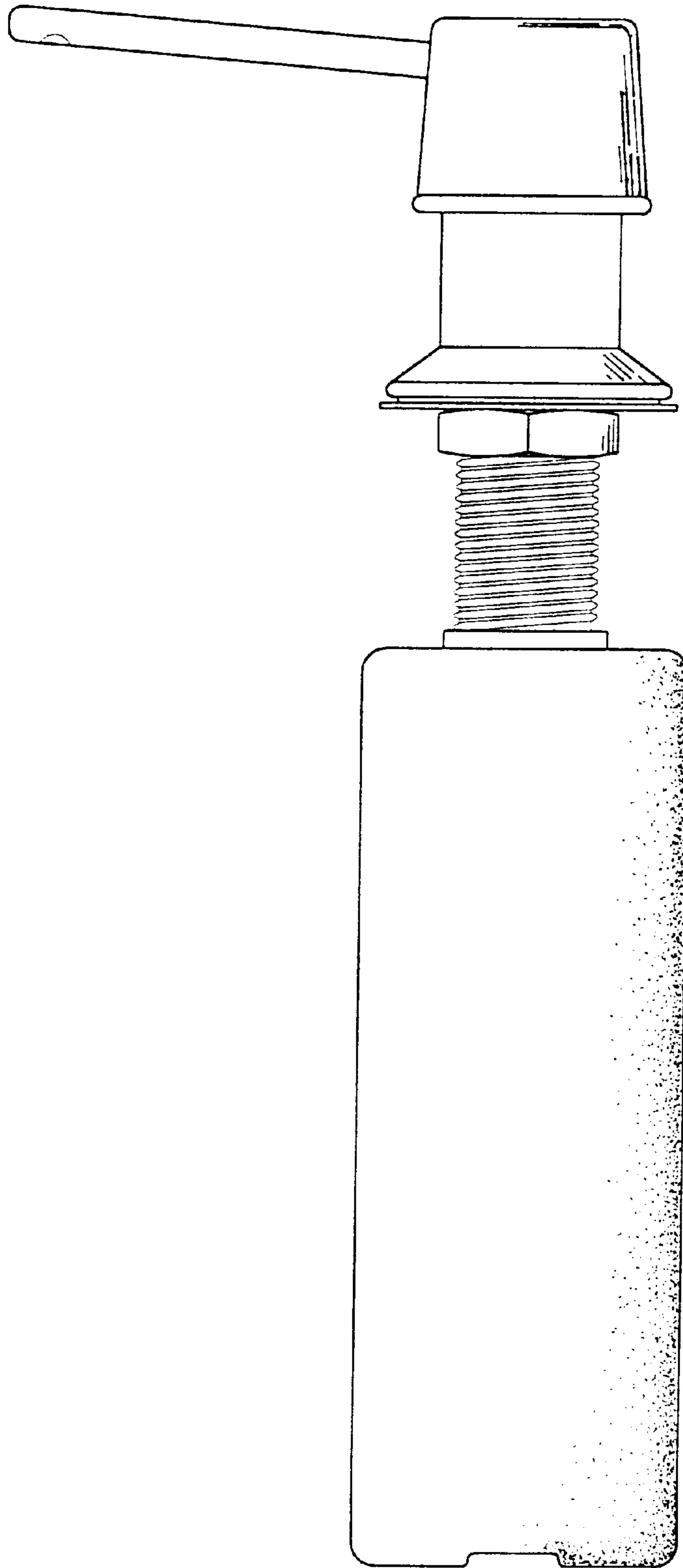


FIG. 1

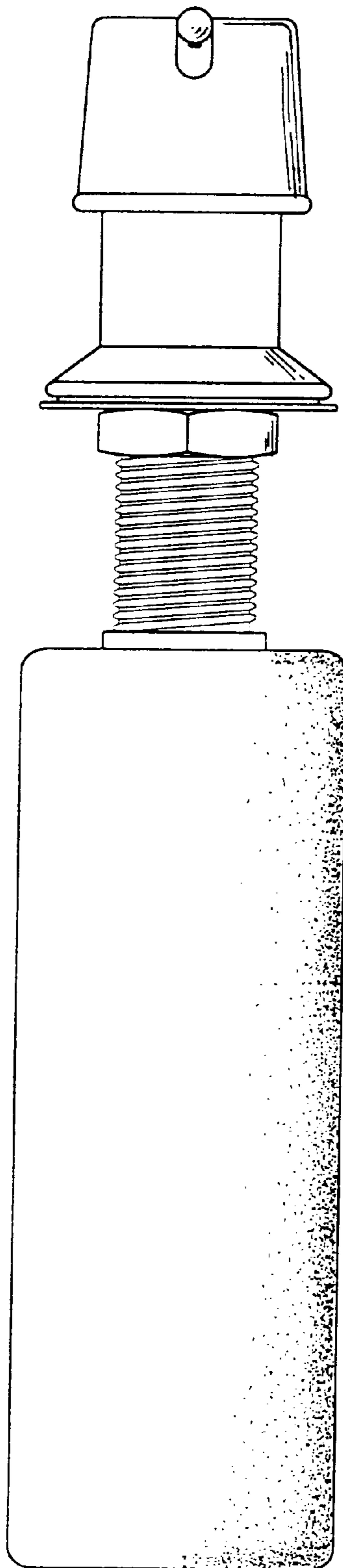


FIG. 2

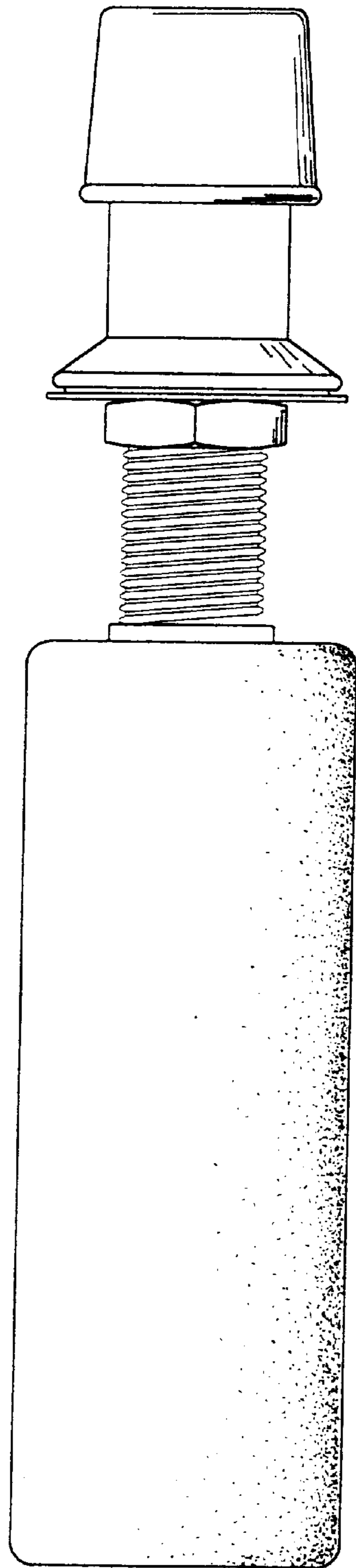


FIG. 3

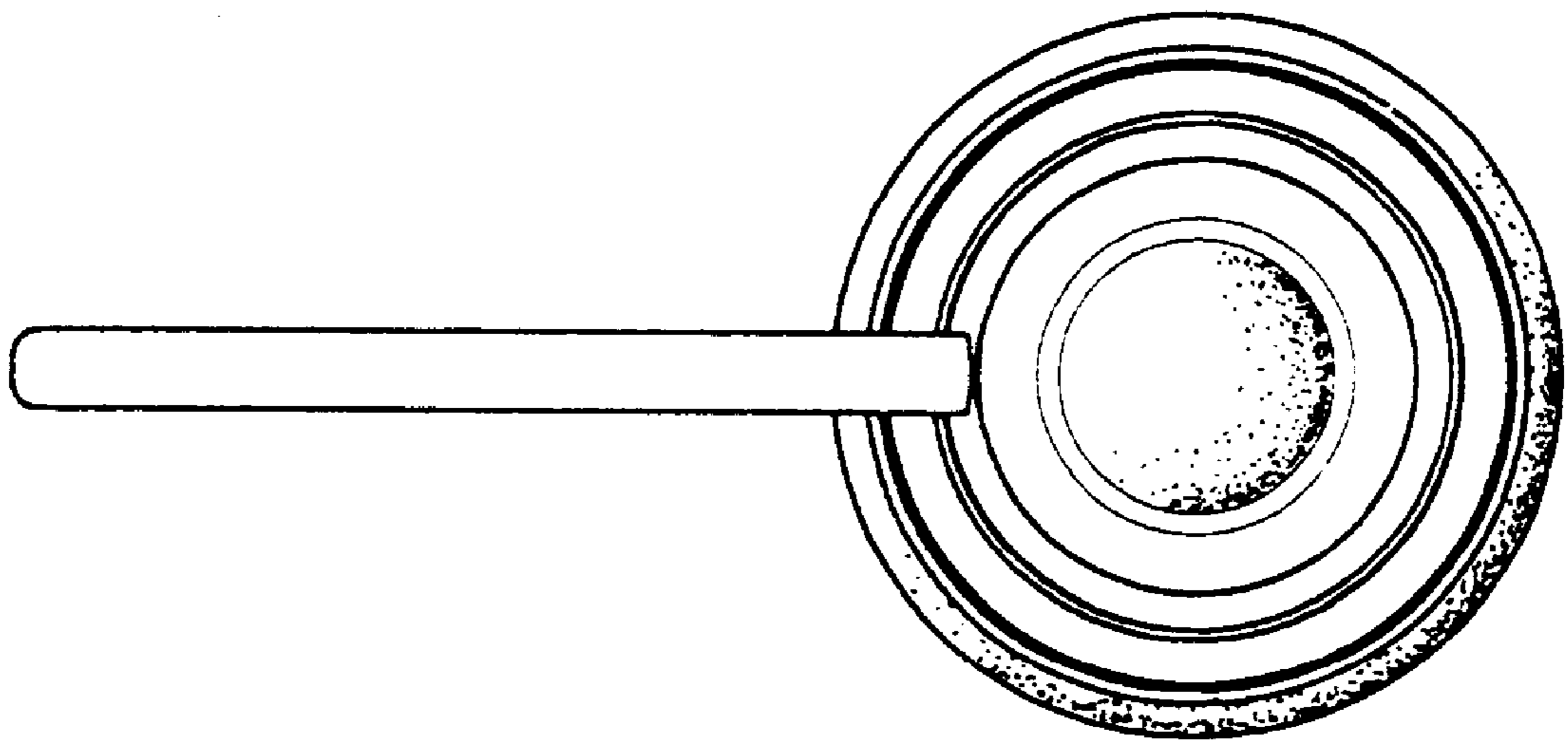


FIG. 4

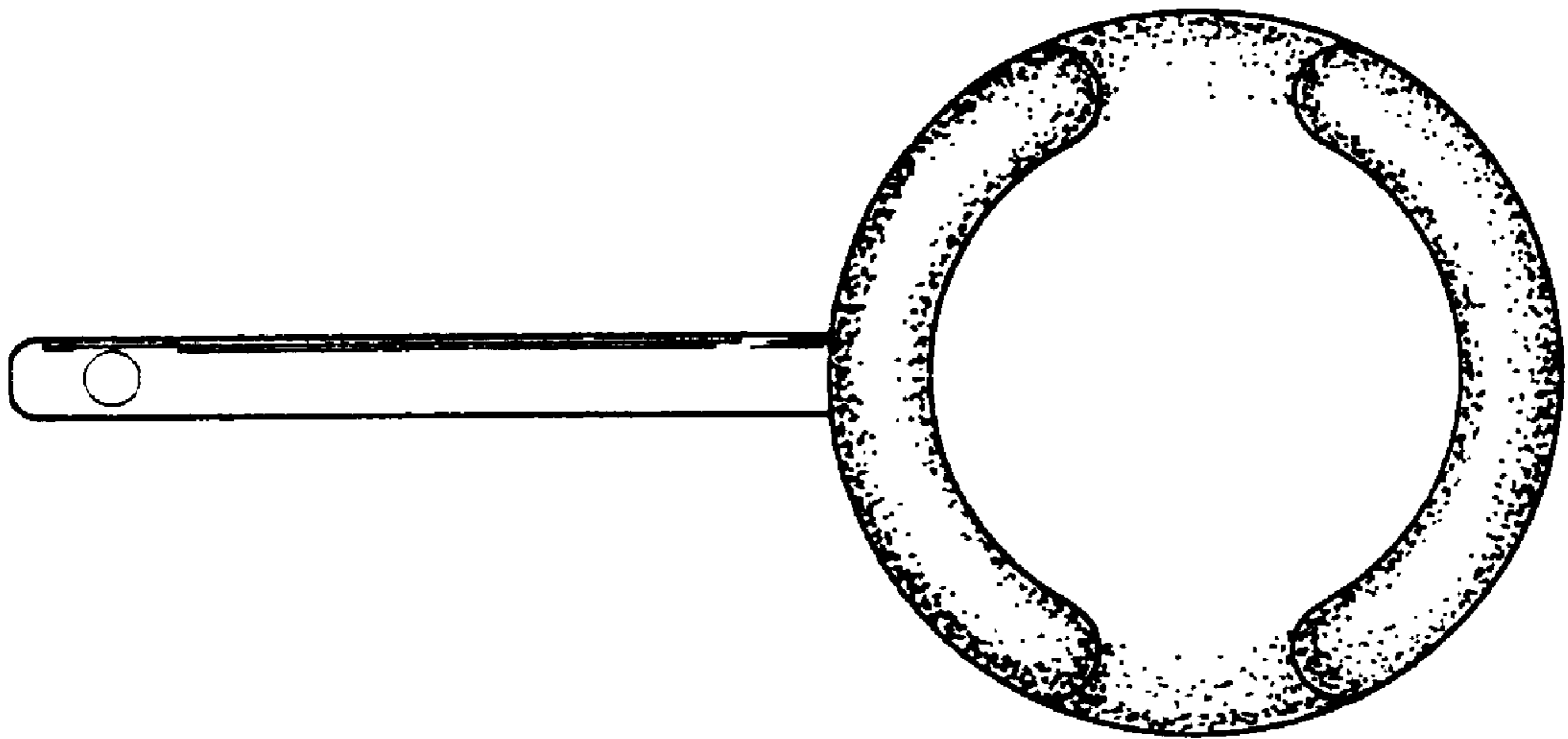


FIG. 5

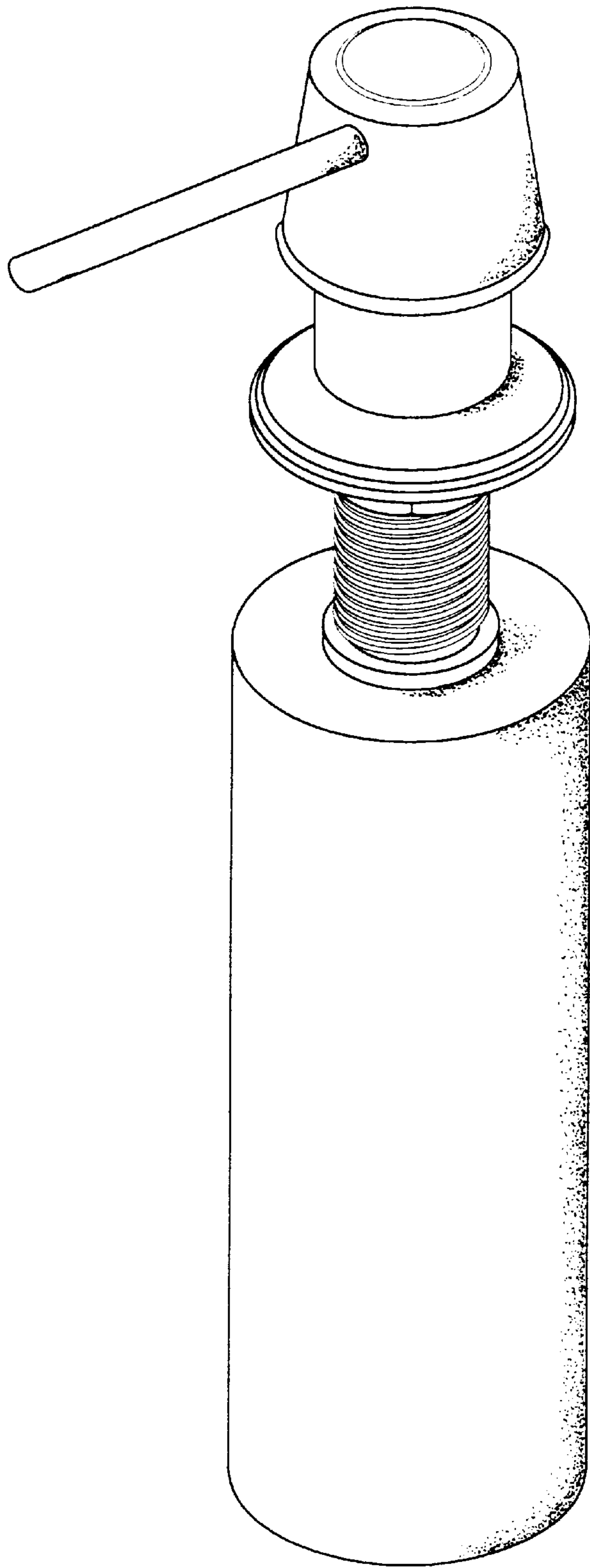


FIG. 6