



US00D438039S

(12) **United States Design Patent**
Camfferman

(10) **Patent No.:** **US D438,039 S**

(45) **Date of Patent:** **** Feb. 27, 2001**

(54) **HEADBOARD/FOOTBOARD**

(75) Inventor: **Brent J. Camfferman**, Winnipeg (CA)

(73) Assignee: **Palliser Furniture, Ltd.**, Manitoba (CA)

(**) Term: **14 Years**

(21) Appl. No.: **29/108,561**

(22) Filed: **Jul. 29, 1999**

(51) **LOC (7) Cl.** **06-01**

(52) **U.S. Cl.** **D6/508**

(58) **Field of Search** D6/382, 388-395, D6/505-508; 5/53.1, 279.1, 280, 281, 907

(56) **References Cited**

U.S. PATENT DOCUMENTS

D. 90,559	*	8/1933	Youngs et al.	D6/508
D. 379,041	*	5/1997	Brunner et al.	D6/508
D. 403,527	*	1/1999	Annas	D6/395
D. 408,648	*	4/1999	Walters, III et al.	D6/395
D. 415,640	*	10/1999	Draheim et al.	D6/508

* cited by examiner

Primary Examiner—Janice E. Seeger

(74) *Attorney, Agent, or Firm*—Barnes & Thornburg

(57) **CLAIM**

The ornamental design for a headboard/footboard, as shown and described.

DESCRIPTION

FIG. 1 is a front, right side perspective view of a headboard/footboard showing my design, and the front, left side perspective view is a mirror image;

FIG. 2 is a front view of the headboard in FIG. 1;

FIG. 3 is a cross-sectional side view of the headboard at 3—3 in FIG. 2;

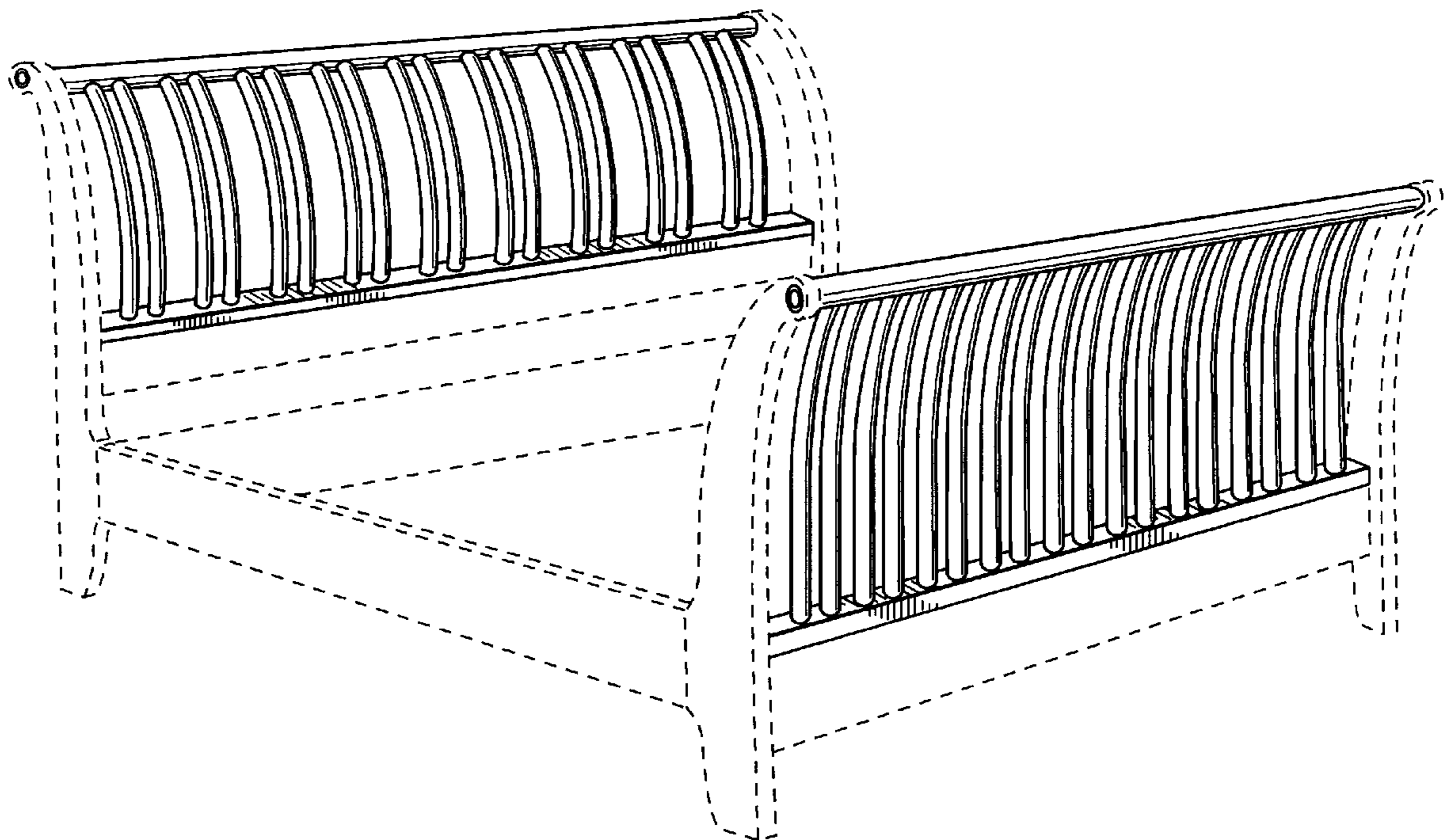
FIG. 4 is a front view of the footboard in FIG. 1;

FIG. 5 is a cross-sectional view of the footboard at 5—5 in FIG. 4;

FIG. 6 is an enlarged cross-sectional view at 6—6 in FIGS. 2 and 4 and is representative of similar cross sections through similar features.

The features shown in dotted outline are not part of the claimed design.

1 Claim, 3 Drawing Sheets



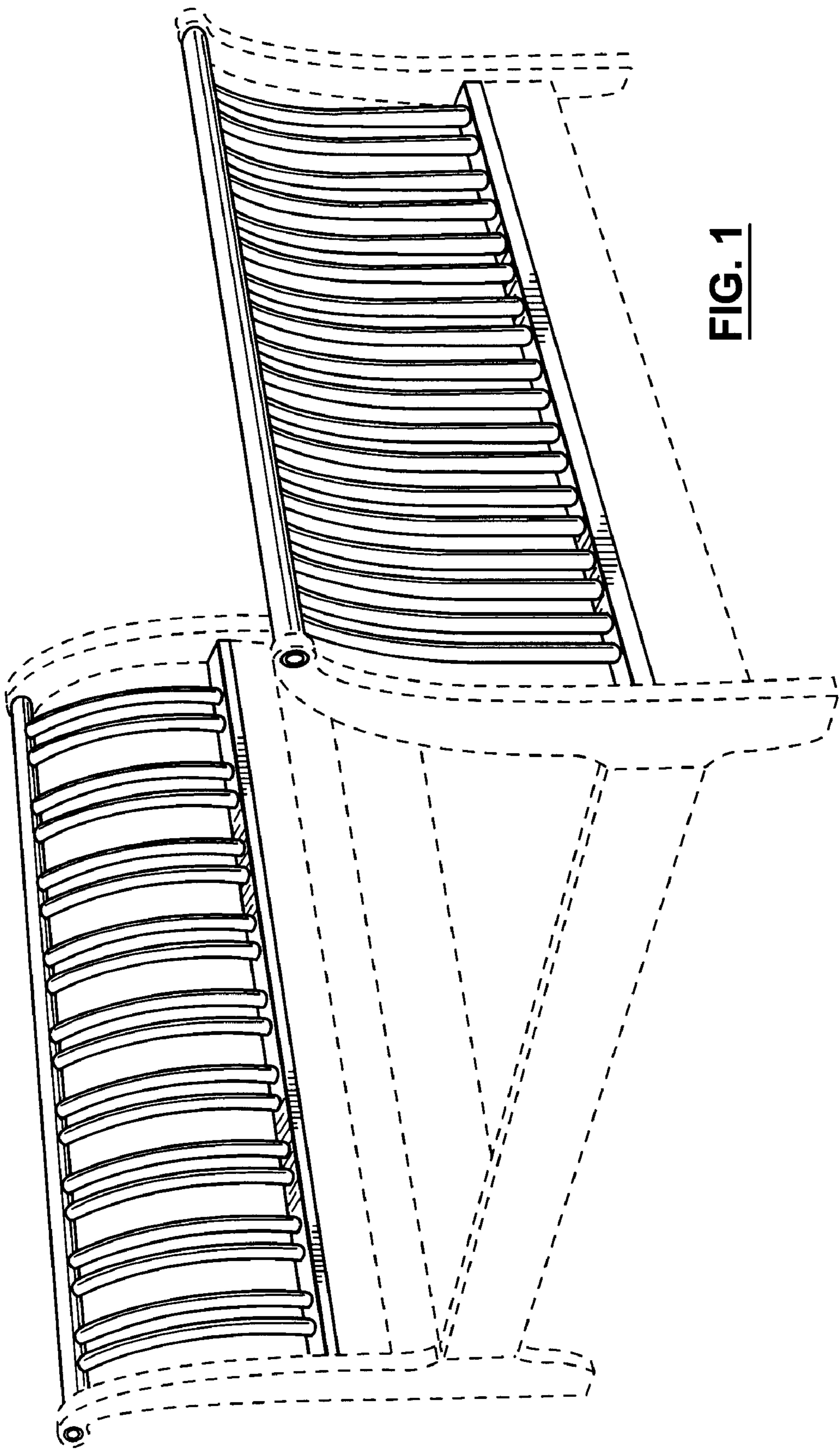


FIG. 1

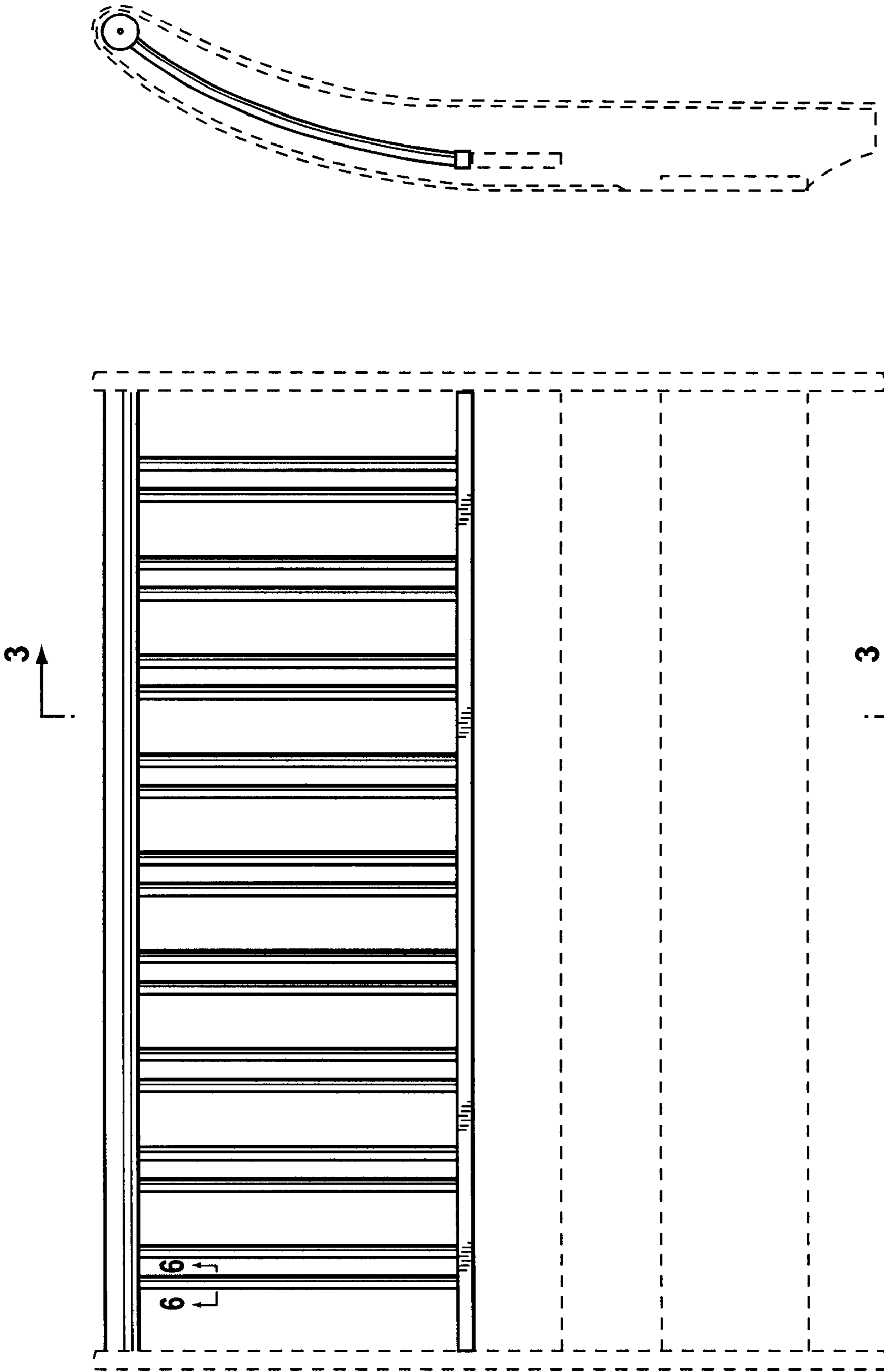


FIG. 3

FIG. 2

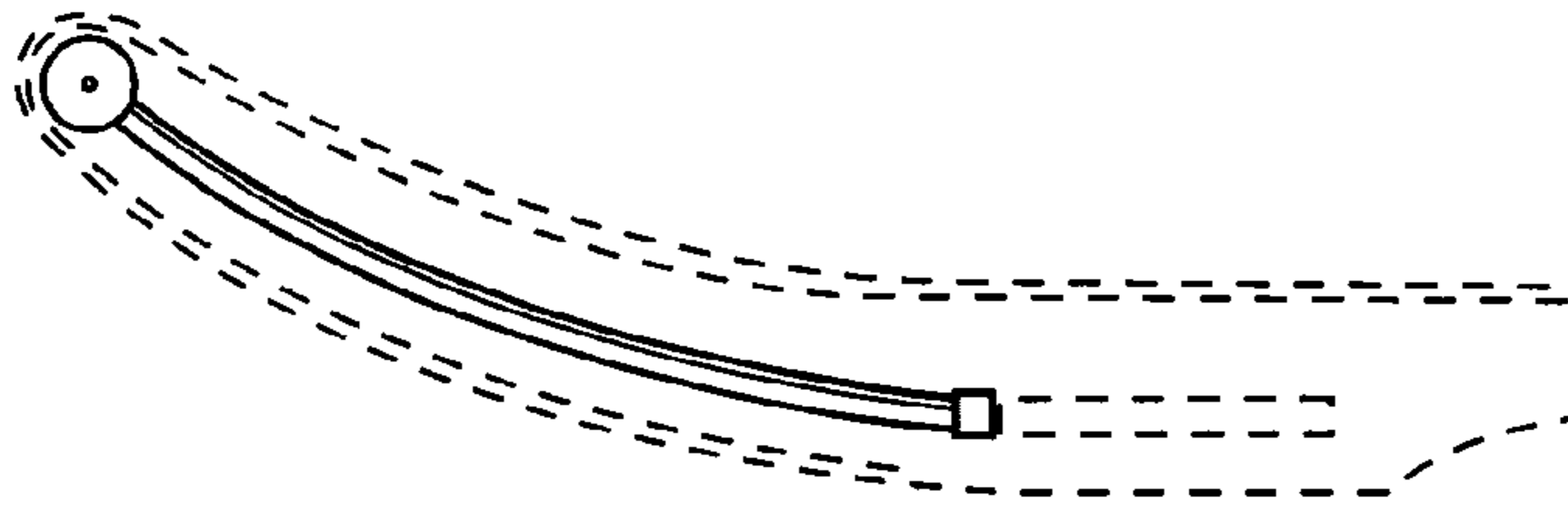


FIG. 5

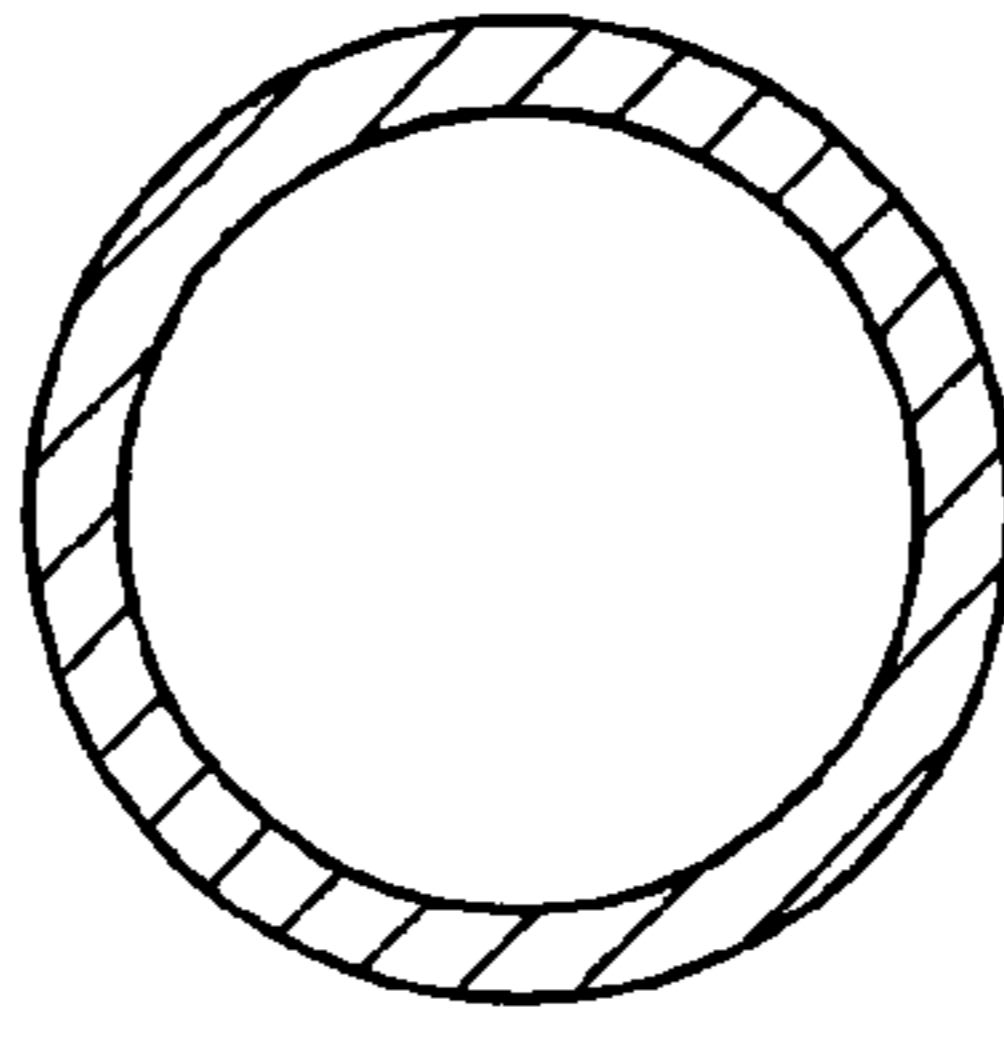


FIG. 6

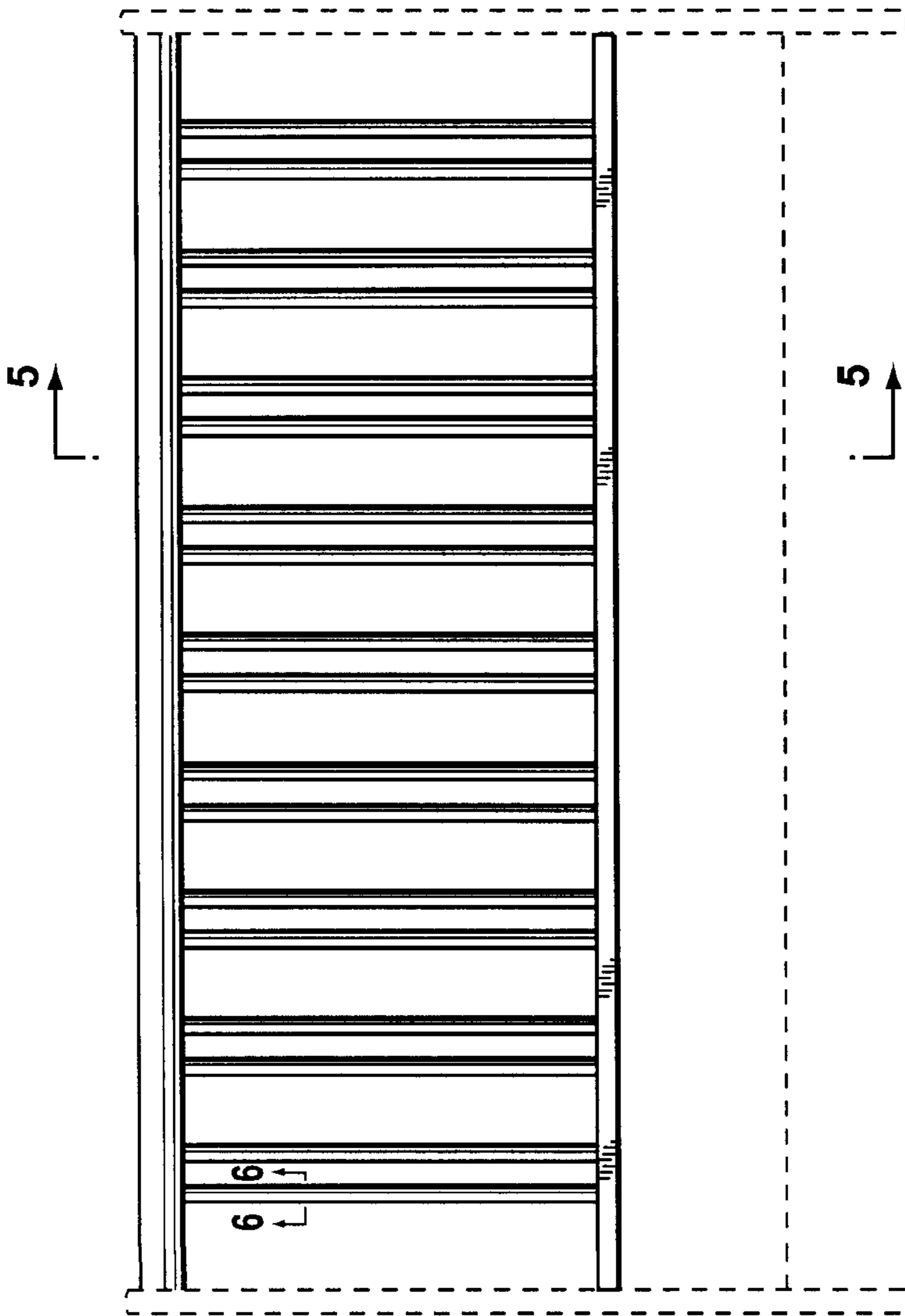


FIG. 4